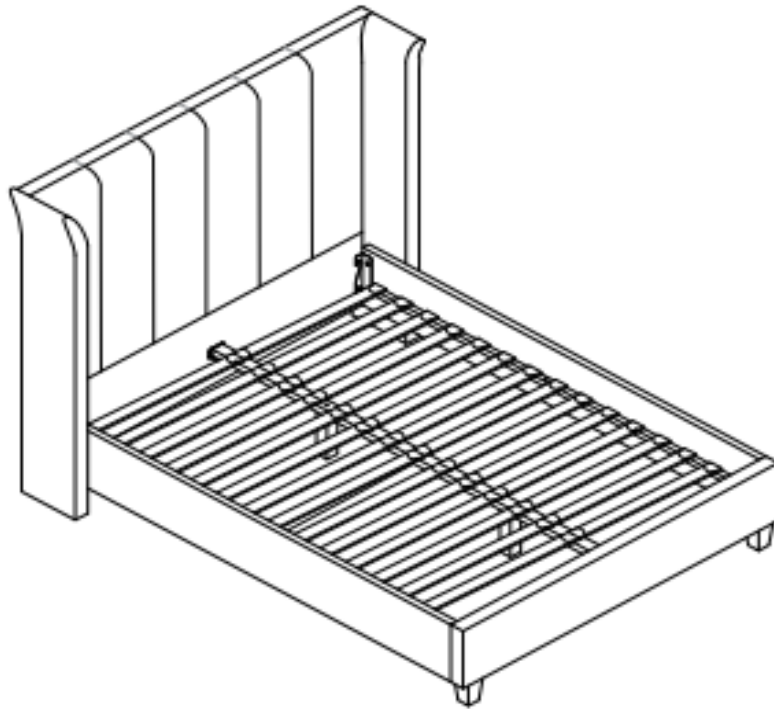


ASSEMBLY INSTRUCTIONS

Minimum No.
Of People
Recommended
To Assemble
This Product :

2

Approximate
Assembly
Time :

30
MINUTES

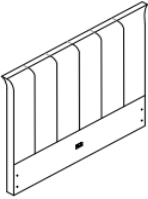

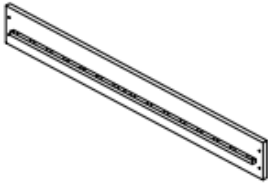
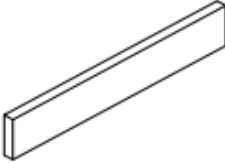
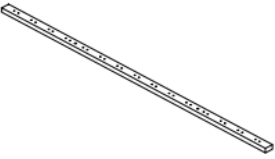
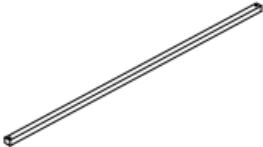

BEFORE YOU START, HERE IS SOME HELPFUL ADVICE :



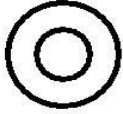




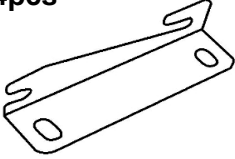
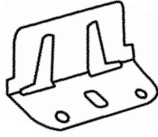
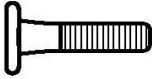



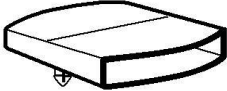

1. We suggest you spend a short time reading through this leaflet and then follow the simple step by step instructions.
2. If you follow the instructions carefully, the end result should be worth the effort.
3. Do not discard any of the packaging until you have checked that you have all the parts and the pack of fittings is correct and you are happy with the product.
4. To ensure an easier assembly, we strongly advise that all fittings are only finger-tightened during initial assembly phase. Only upon completion of the assembly should all fixing points be fully tightened.
5. We recommend a periodic check on all fixing points to make sure they remain fully tightened.
6. Keep any fittings out of children's reach.



Do not use Power Tools

PARTS AND HARDWARE LISTS

<p>1 x1pc Headboard</p> 	<p>2 x2pcs Headboard two side wings</p> 	<p>3 x2pcs Siderail</p> 	<p>4 x1pc Footboard</p> 
<p>5 x1pc Central Rail</p> 	<p>6 x1pc Across bar</p> 	<p>7 x30pcs Flat Slat</p> 	

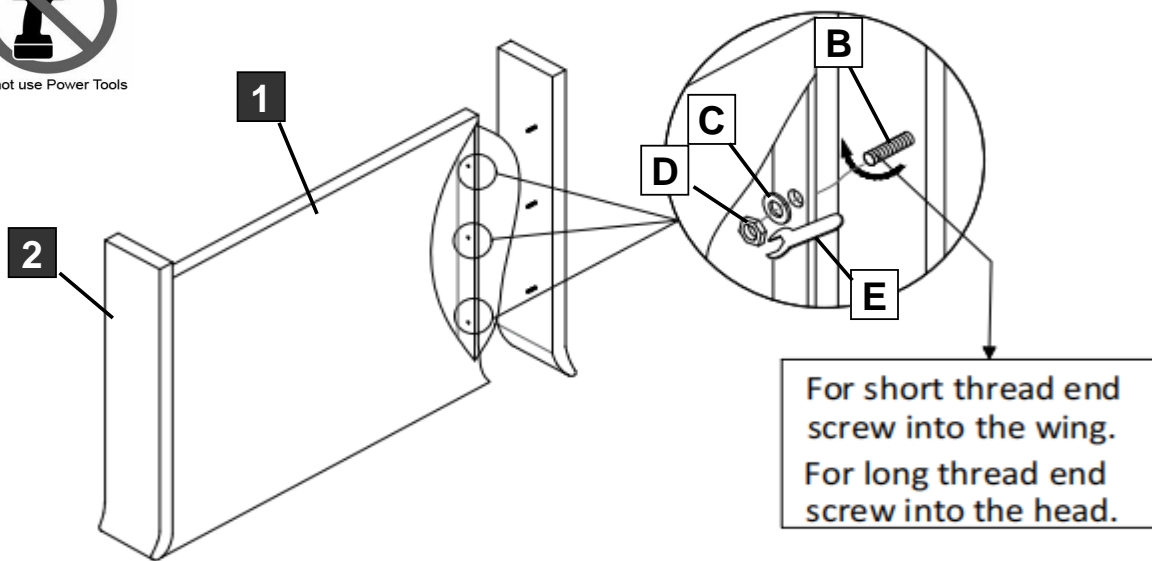
<p>A x1pc</p> 	<p>B x6pcs</p>  <p>M8x60mm</p>	<p>C x8pcs</p> 
<p>D x8pcs</p> 	<p>E x1pc</p> 	<p>F x2pcs</p> 
<p>G x16pcs</p>  <p>M8x25mm</p>	<p>H x4pcs</p> 	<p>I x2pcs</p> 
<p>J x2pcs</p>  <p>M6x20mm</p>	<p>K x2pcs</p> 	<p>L x2pcs</p>  <p>M8x45mm</p>
<p>M x2pcs</p>  <p>M8x60mm</p>	<p>N x15pcs</p> 	<p>O x30pcs</p> 

STEP 1

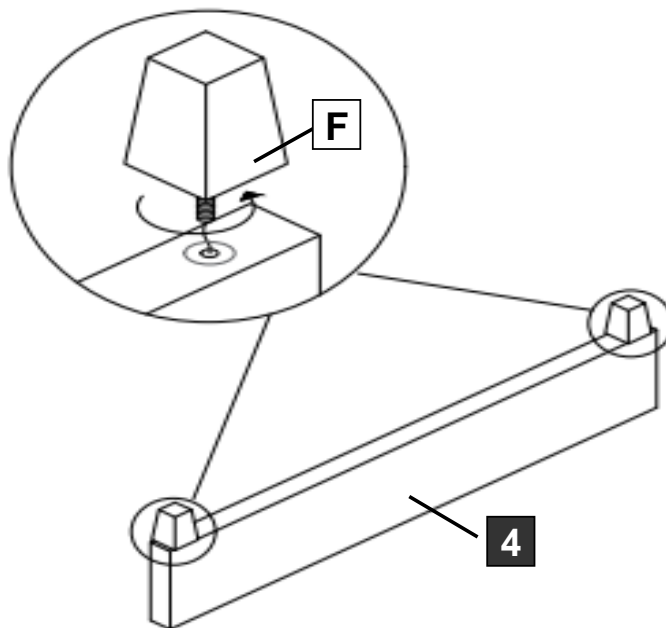
Turn the top of Headboard(1)&Wings(2) upside down on the ground. Attach the Lead screw(B) into the Wings(2) firstly. Then mount both Wings(2) to Headboard(1) by pushing the Washer(C) and Hex Nut(D) to fit. Tighten Hex Nut(D) with Solid Wrench(E).



Do not use Power Tools

**STEP 2**

Fix the Wooden legs(F) to the bottom of the Footboard(4).

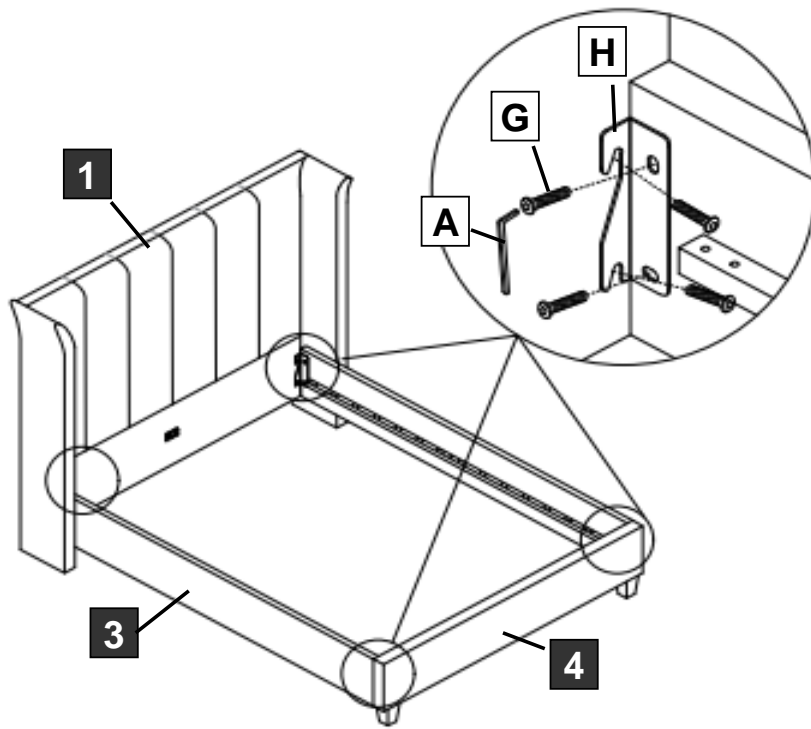


STEP 3

Attach the Screw(G) and slightly tighten with Allen Key(A). Mount both Siderails(3) to Headboard(1) and Footboard(4) by pushing the Bracket(H) down to fit. Do not fully tighten the screws at this moment.

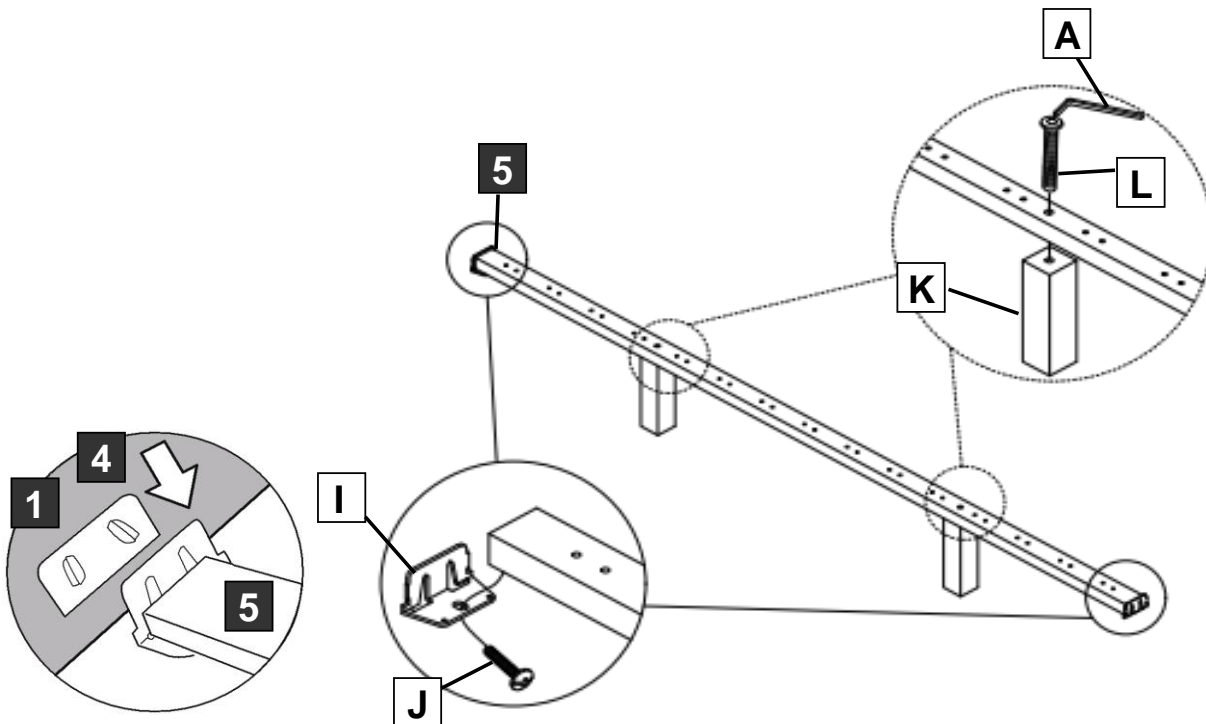


Do not use Power Tools



STEP 4

Attach the Central Rail(5) to the Headboard(1) and Footboard(4) with Screw(J) and Bracket(I). Then attach 2pcs of the Support Legs(K) to the Central Rail(5) with Screw(L) and tighten with the Allen Key(A).

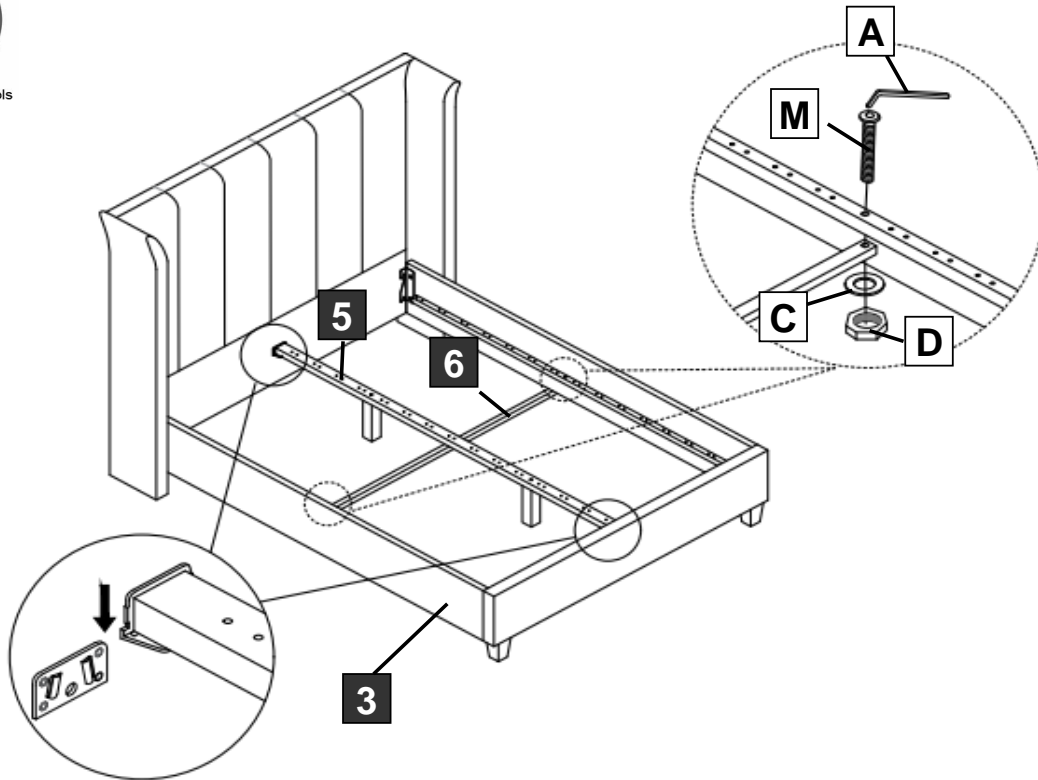


STEP 5

Then, attach Across bar(6) to the bottom of the Siderail shelf(3) using Screw(M), Washer(C) and Hex Nut(D) with Allen Key(A).

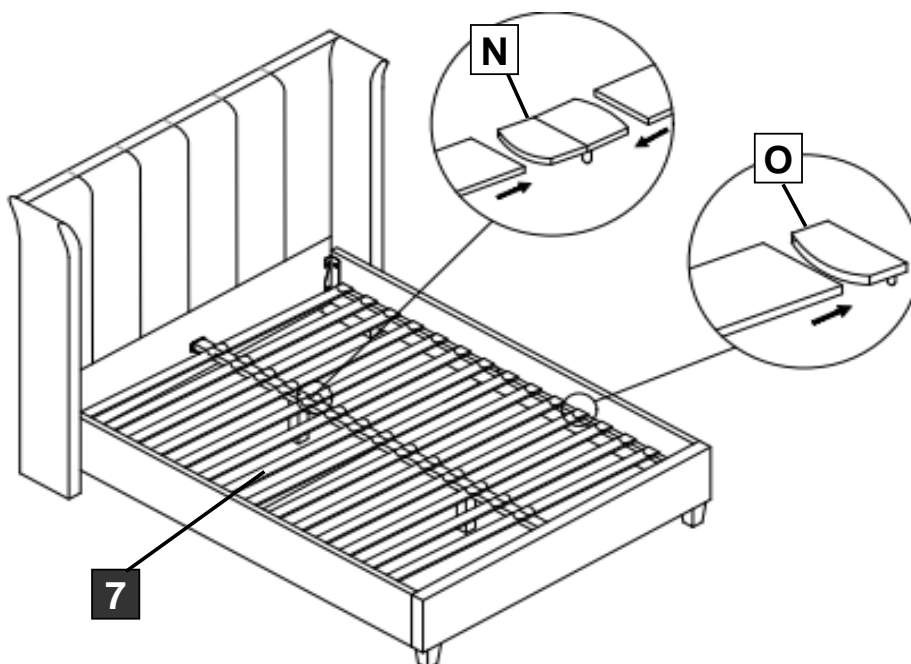


Do not use Power Tools



STEP 6

Insert the Flat Slats (7) to both ends of slat Middle Holder (N) before attaching slat End Holder (O) to the other end of Flat Slats. Having done this, press down the Middle Holder (N) and the End Holder (O) to the siderail shelf and Central Rail. Repeat the above for balance rows.



CARING FOR YOUR NEW LIMELIGHT PRODUCT

- **PLEASE NOTE:** GOODS THAT NEED TO BE RETURNED SHOULD BE SENT BACK IN ITS ORIGINAL PACKAGING.
- When assembling your bed, please ensure that you have checked the contents for all relevant parts.
- When tightening bolts, do make sure that they are fully tightened but not forced.
- When moving your fully assembled bed, you must first remove the mattress and lift the frame into position; taking care when lifting and always have two people handling the bed. **PLEASE DO NOT DRAG THE BED** as this will cause damage to the central support legs and rail. Central legs **MUST** be in a vertical position at all times.
- Due to the nature of laminate flooring, we recommend that you place non-slip material under the central support legs. This will stop the legs from sliding on laminate/wooden floors and will prevent the bed from collapsing.
- It is advisable to use approved cleaning products when cleaning the furniture and bed frame as certain chemical-based cleaners could have an adverse effect on the bed's finish.