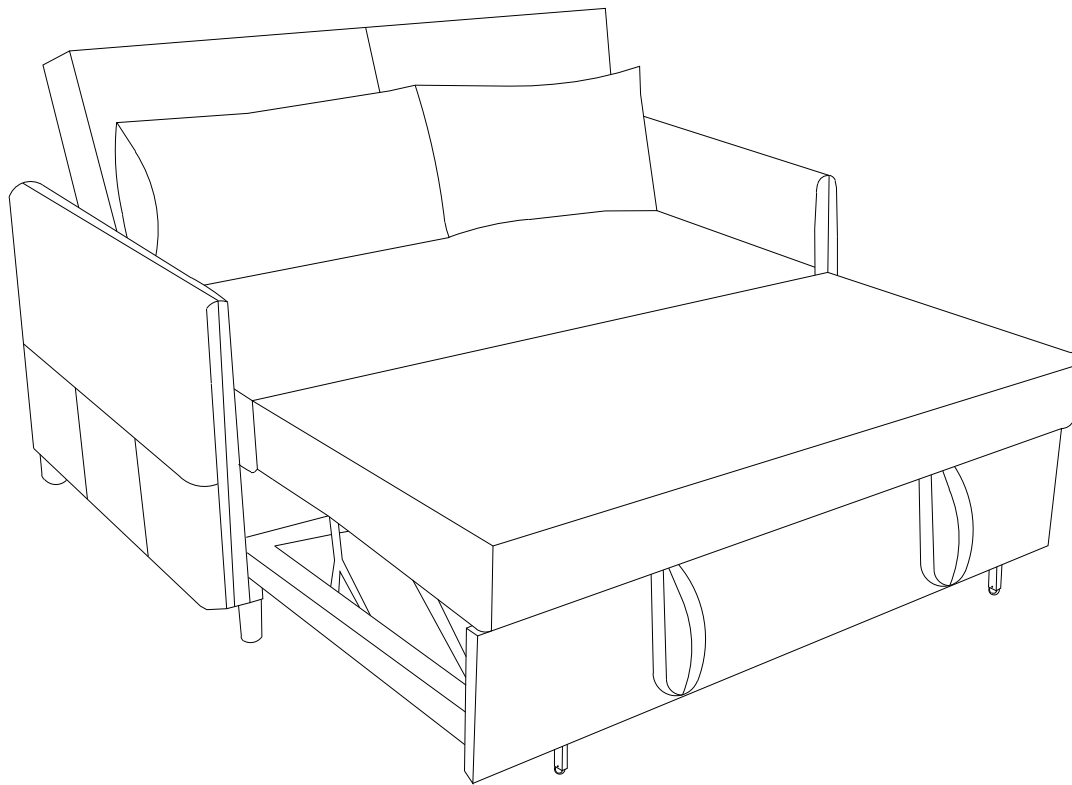


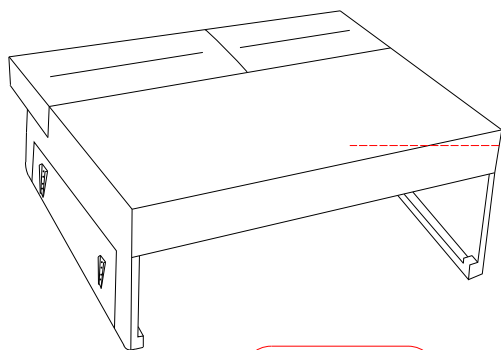
INSTRUCTION



SLEEPER SOFA

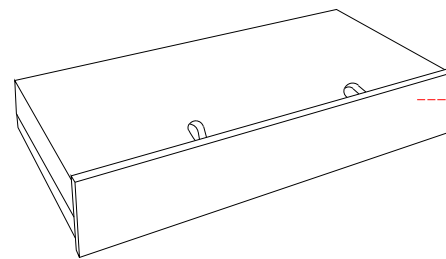


PARTS LIST



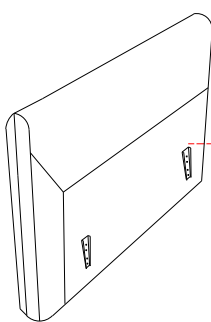
A X 1pc

Couch



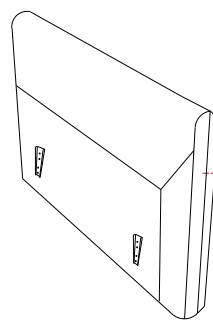
B X 1pc

Trundle bed



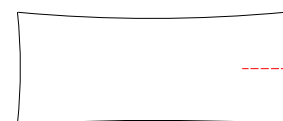
C X 1pc

Left arm



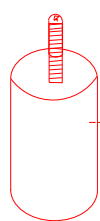
D X 1pc

Right arm



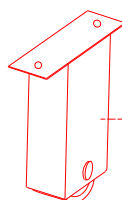
E X 2pc

Pillow



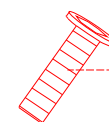
F X 4pc

Legs



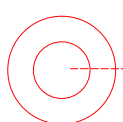
G X 4pc

Legs



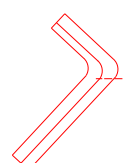
H X 8pc
(M6*25MM)

Short screw



J X 8pc
(M6)

Washers

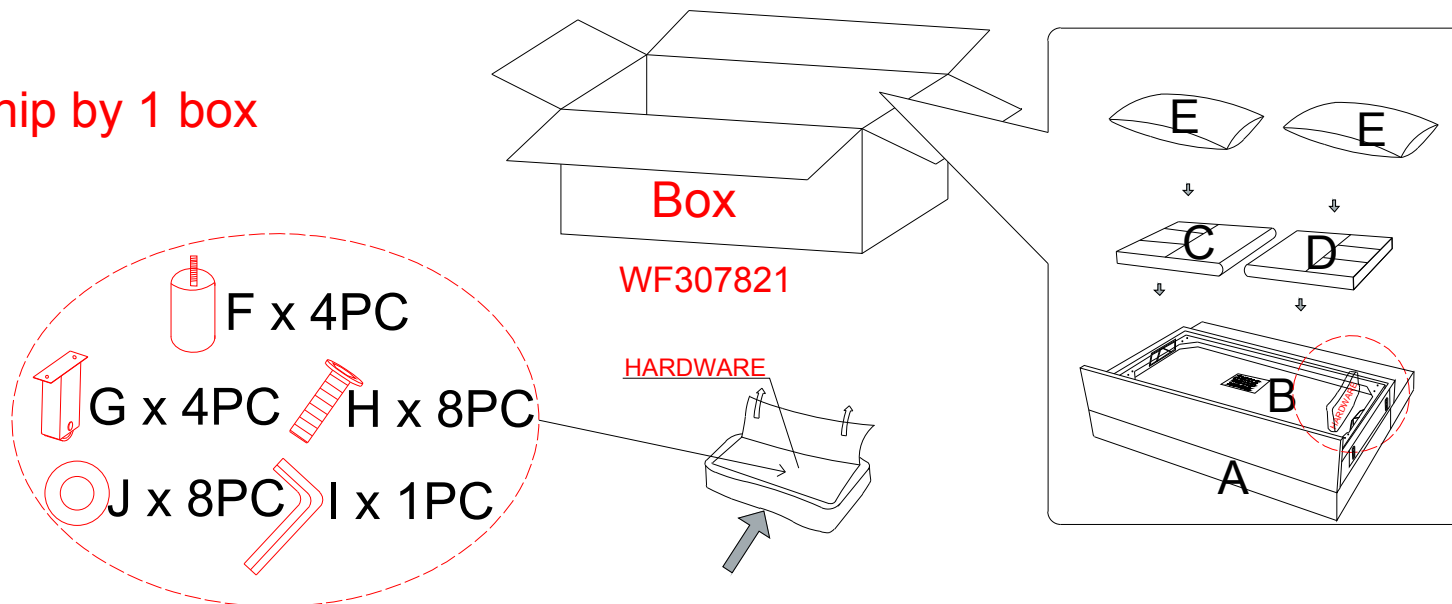


I X 1pc
(M4)

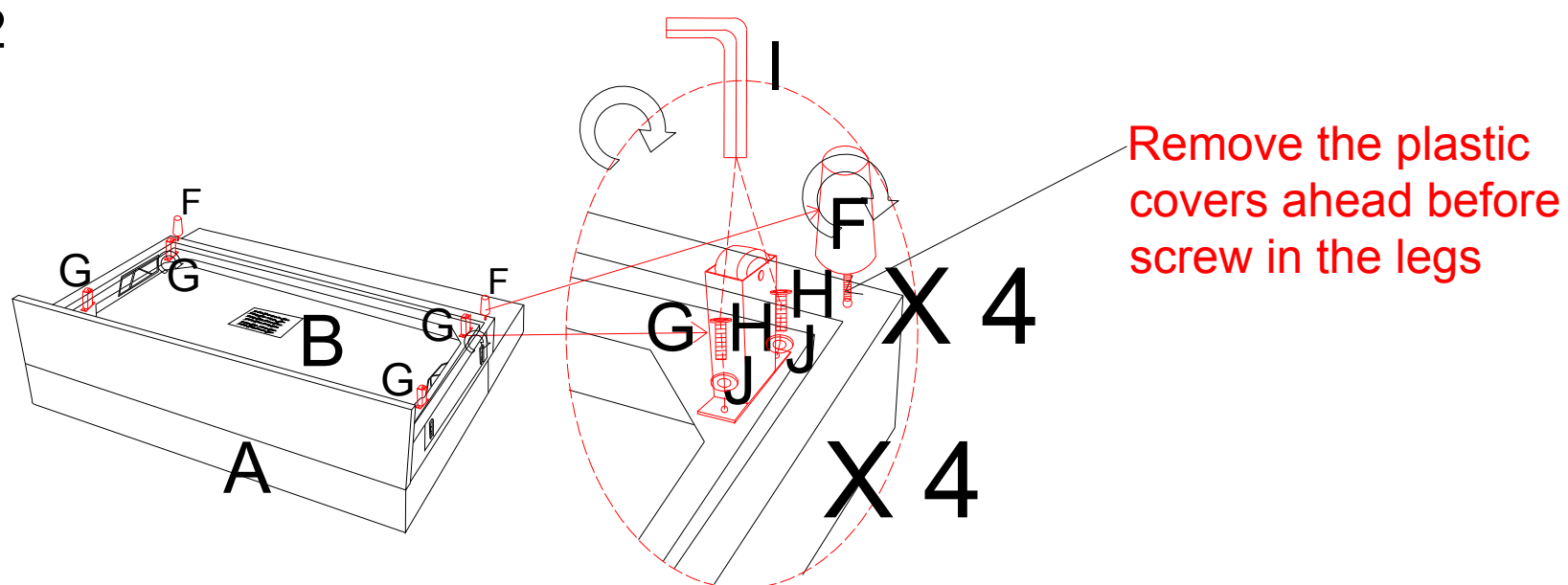
L-Shaped Wrench

STEP 1

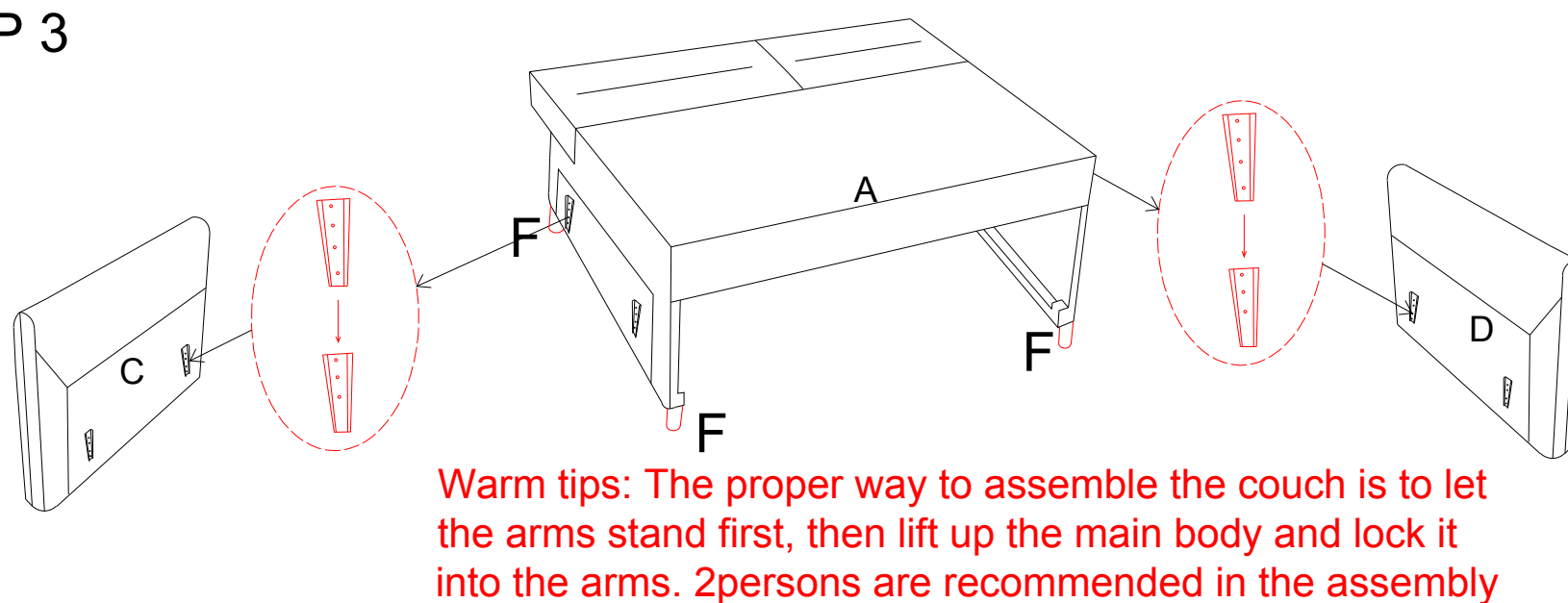
Ship by 1 box



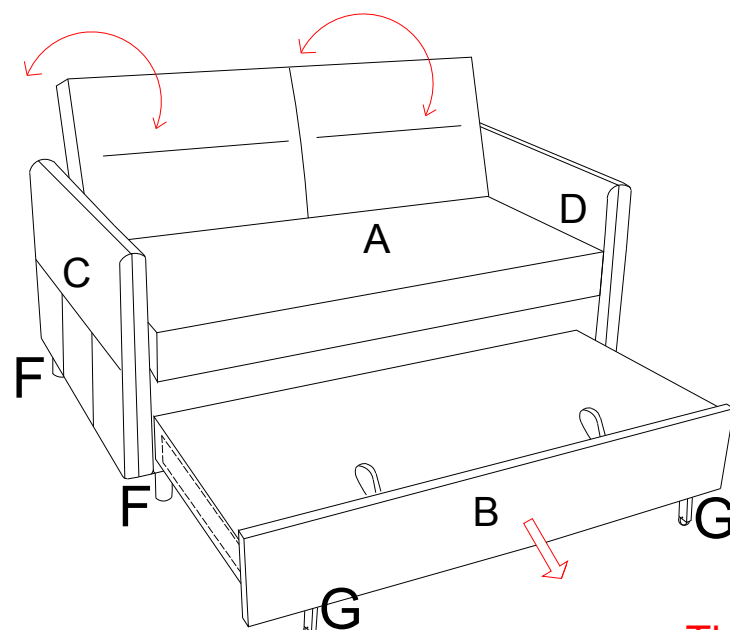
STEP 2



STEP 3

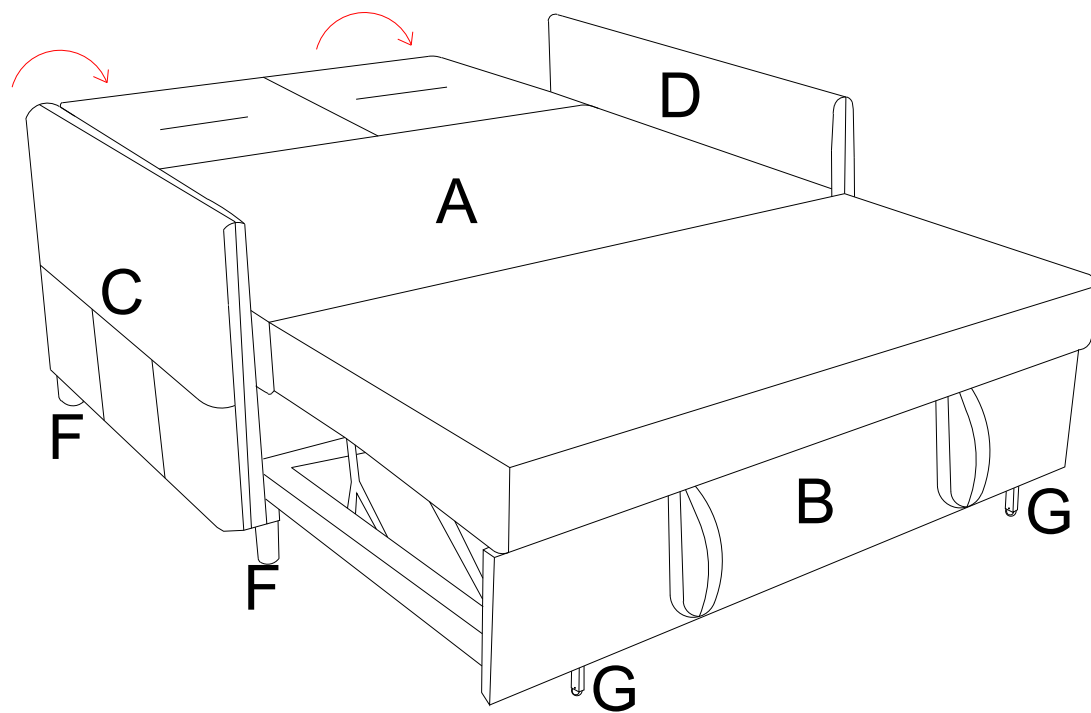


STEP 4



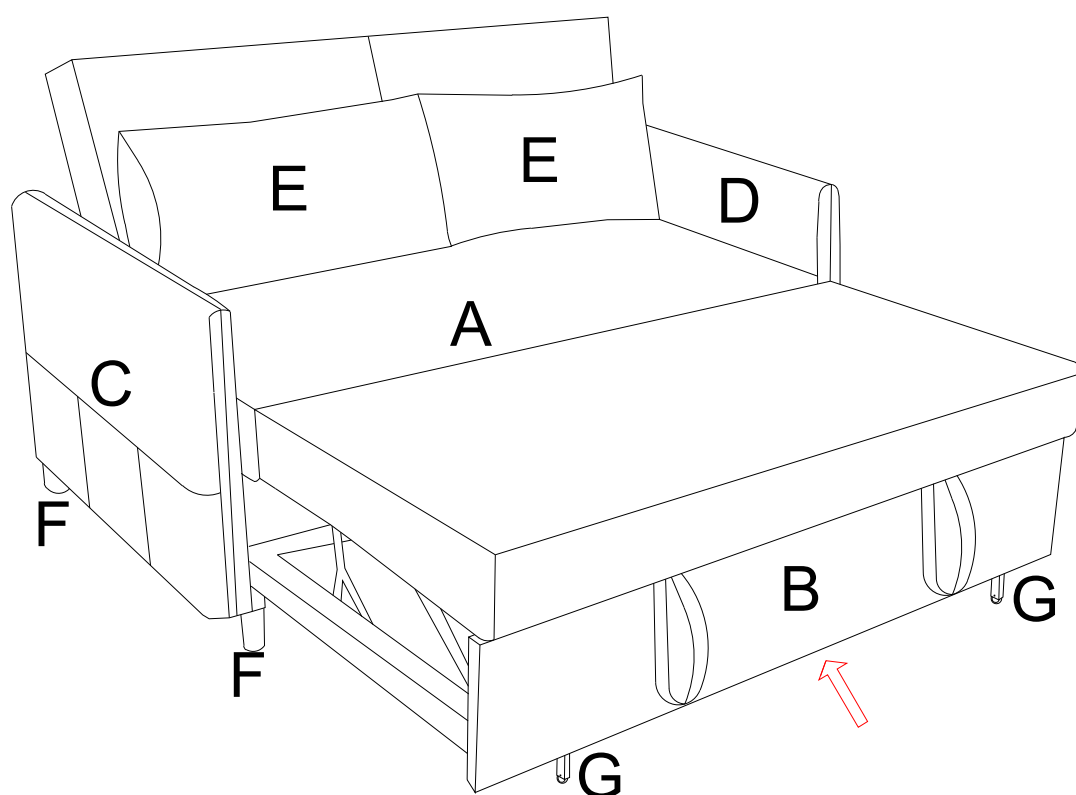
The broach can be pulled out.

STEP 5



The backrest can be flat.

STEP 6



STEP 7

