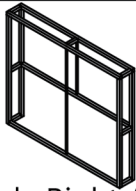
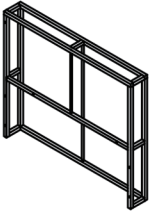
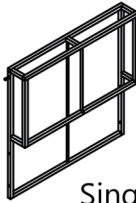
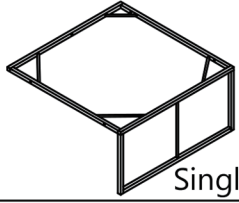
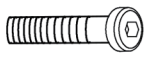




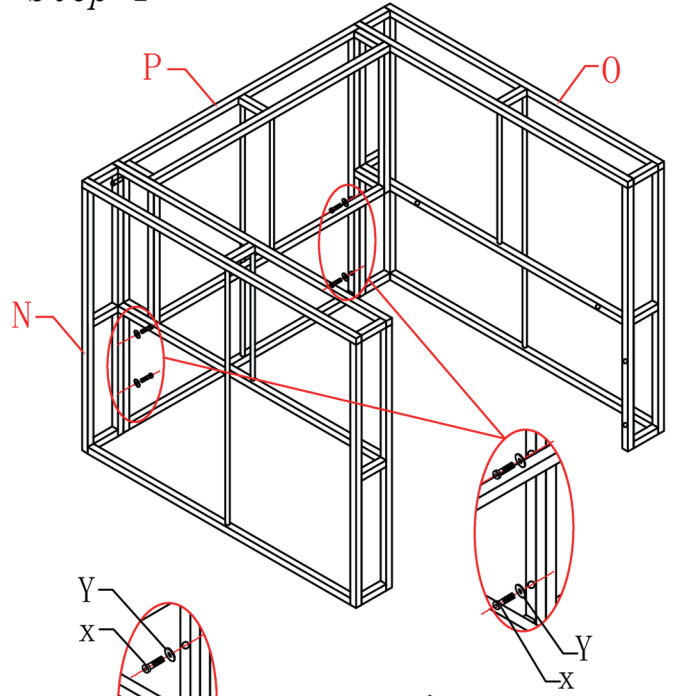


# ASSEMBLY INSTRUCTIONS

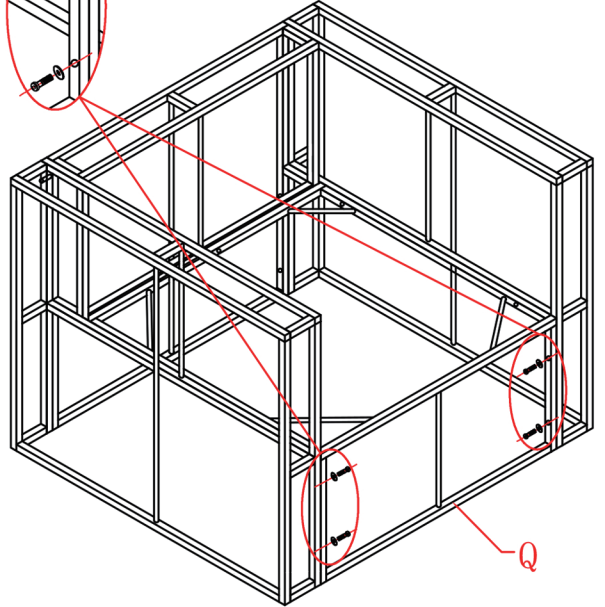
N		1
O		1
P		1
Q		1
X	 M6*35	13
Y		13
Z		1

	1
	1

## Step 1



## Step 2

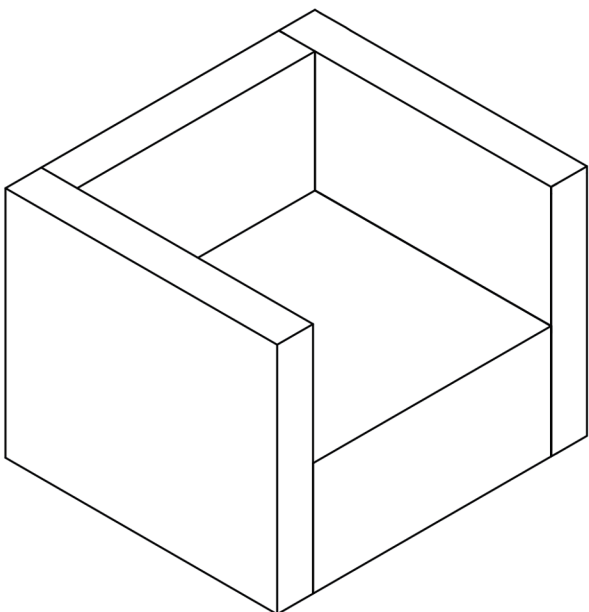
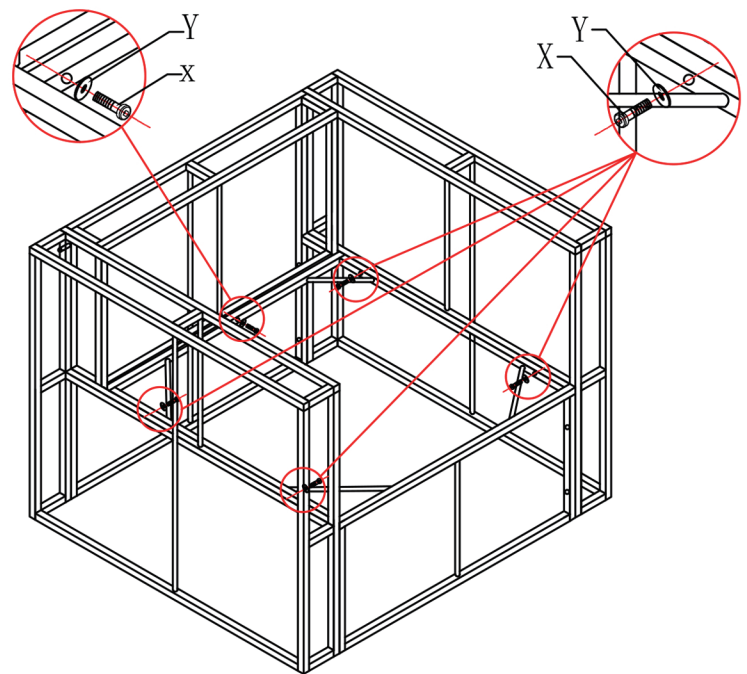


### Notice:

1. Remove the sponge from the cushion when washing.
2. Hand wash only. The washing machine and brush harm the fabric.



## Step 3



1

The cushion can be fastened to the rattan with the effective horn button.



2

Open the rattan and fasten the horn button to a chosen position.



3

Attached to a spare tape, the horn button allows the cushion to move freely.



4

Contact us for any further problems concerning the item.

