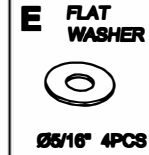
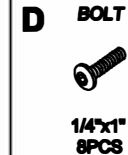
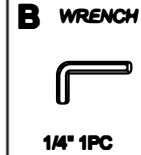
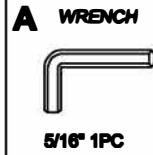
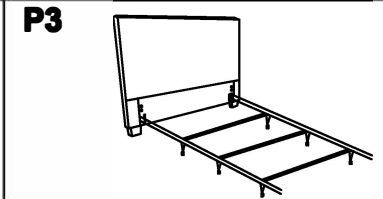
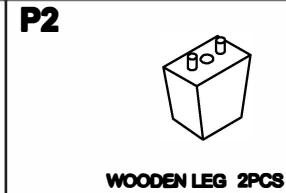
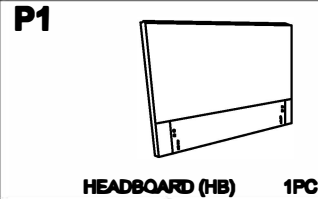
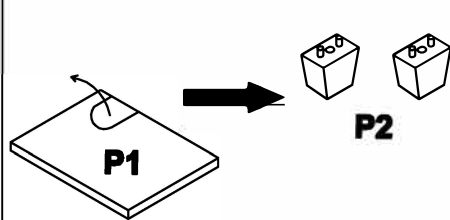


HEADBOARD ASSEMBLY INSTRUCTION

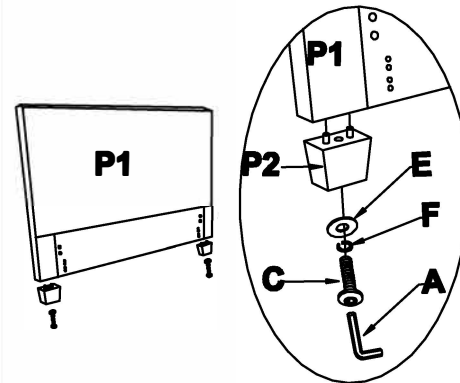
(FULL / QN / CK / EK)



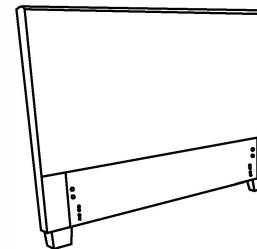
OPTION 1:



STEP 1: TAKE THE LEGS OUT FROM THE BACK OF HEADBOARD.

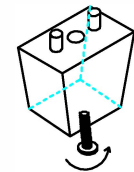


STEP 2: ASSEMBLE THE WOODEN LEGS TO THE BOTTOM OF HEADBOARD.



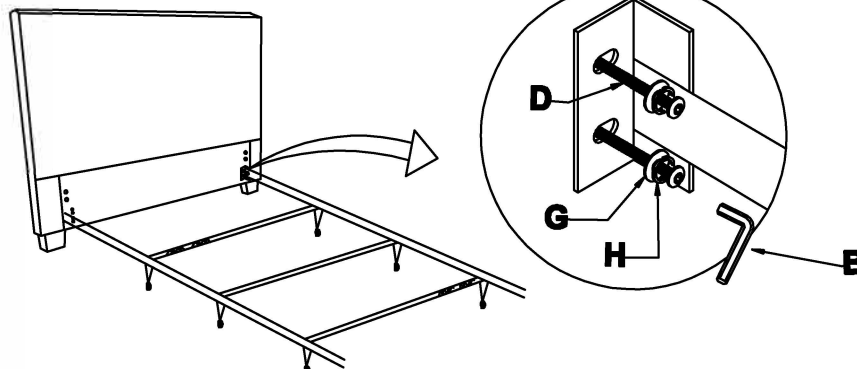
ASSEMBLY COMPLETE.

INSTRUCTIONS FOR ADJUSTING LEVELERS.

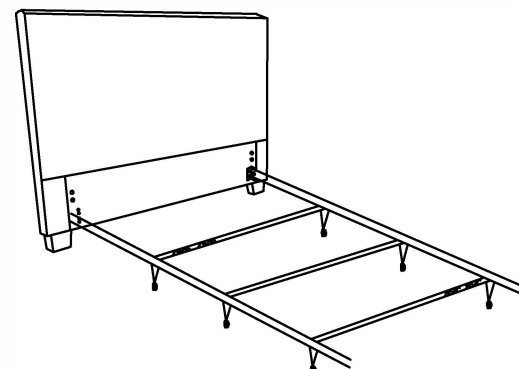


THE LEVELERS ARE LOCATED ON THE UNDERSIDE OF EACH OF THE LEGS (P2). TURN COUNTER-CLOCKWISE TO EXTEND, AND CLOCKWISE TO CONTRACT. ADJUST LEVELERS UNTIL THE LEGS MATCH EACH OTHER IN HEIGHT.

OPTION 2:



STEP 1: PLACE WASHERS (H&G) THROUGH BOLT (D), AND FASTEN THE METAL BED FRAME TO HEADBOARD.



STEP 2: ASSEMBLY IS COMPLETED. SHOWN WITH METAL BED FRAME.