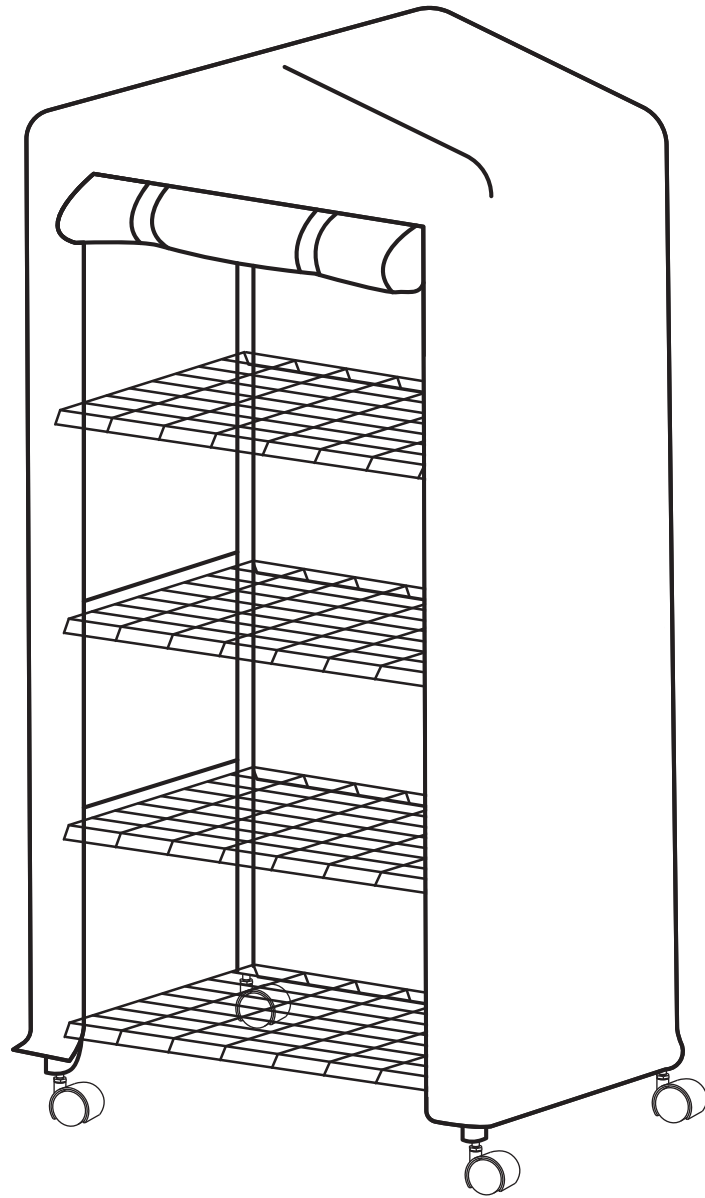


VIVOSUN



26.8x19.1x63-Inch Greenhouse

USER MANUAL

Love what you grow™

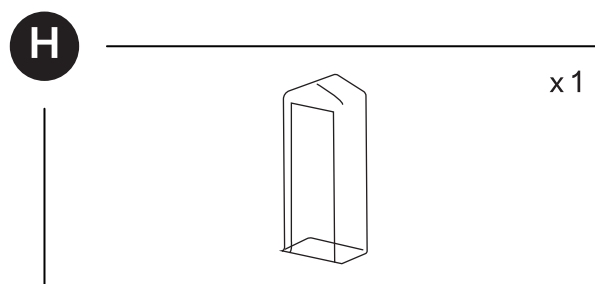
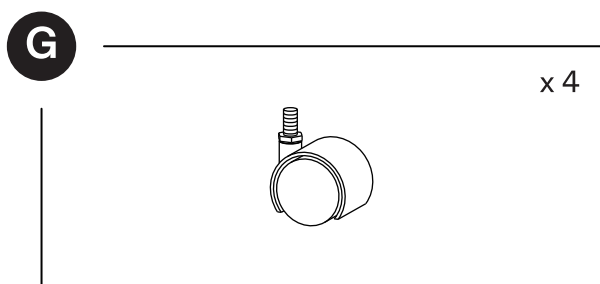
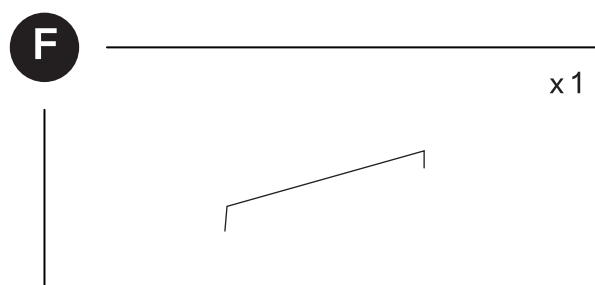
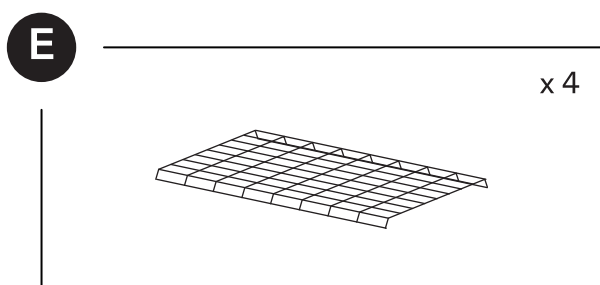
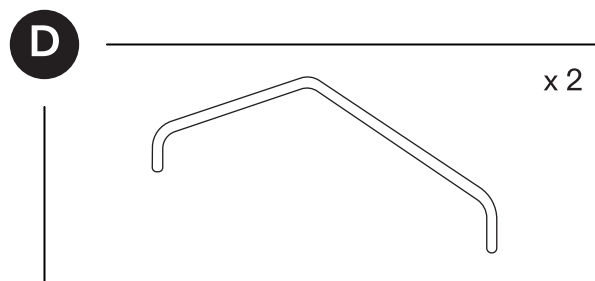
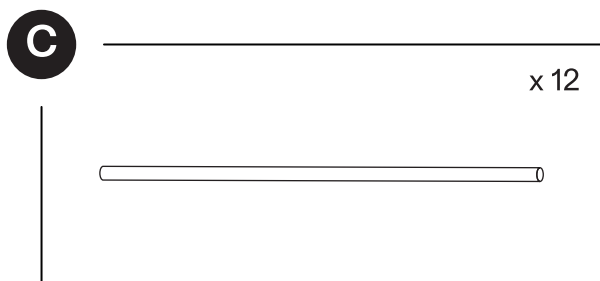
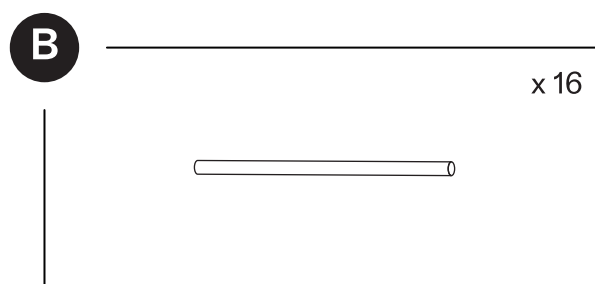
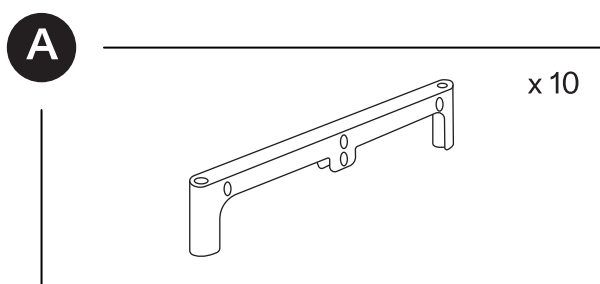
Welcome to **VIVOSUN**

Thank you for choosing VIVOSUN. We are committed to product quality and friendly customer service. If you have any questions or suggestions, please don't hesitate to contact us.

ATTENTION

1. Please take steps to secure your greenhouse when wind's speed over 24 mph.
2. Try to install your greenhouse out of the way of direct wind.
3. During snowy weather, please keep the snow inside the greenhouse no more than 2 inches high.
4. VIVOSUN takes no responsibility for greenhouses damaged by severe weather.

PARTS



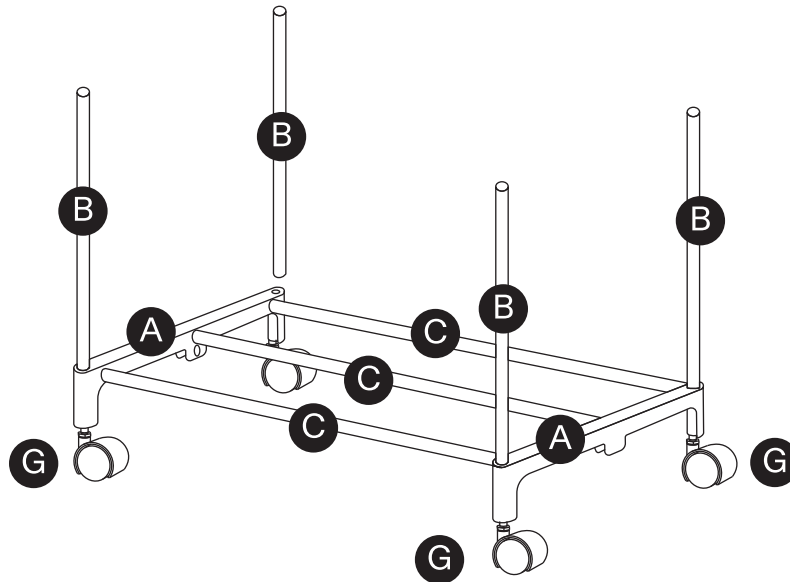
INSTALLATION

Please follow all assembly steps carefully. 2-3 people are needed to assemble the greenhouse.

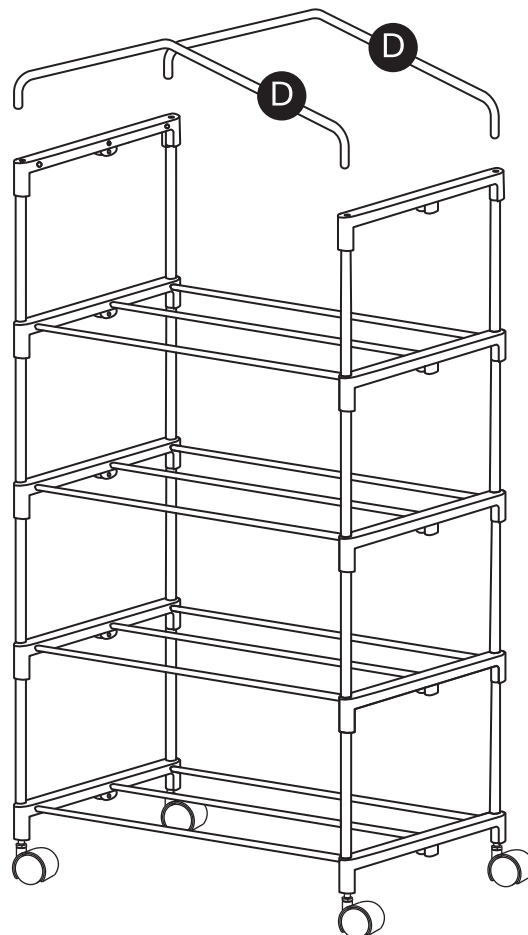
Please assemble the frame loosely before tightening all screws.

(Please note that the following pictures are not to scale.)

STEP 1

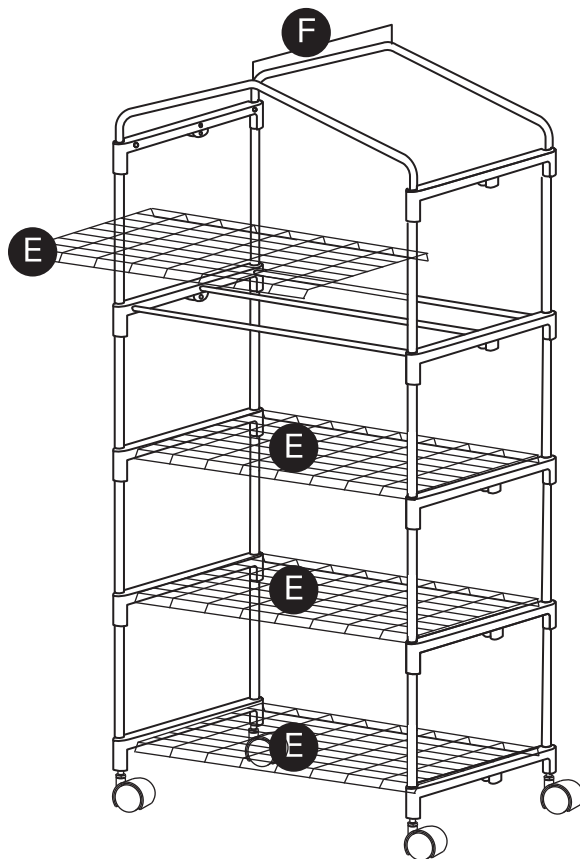


STEP 2

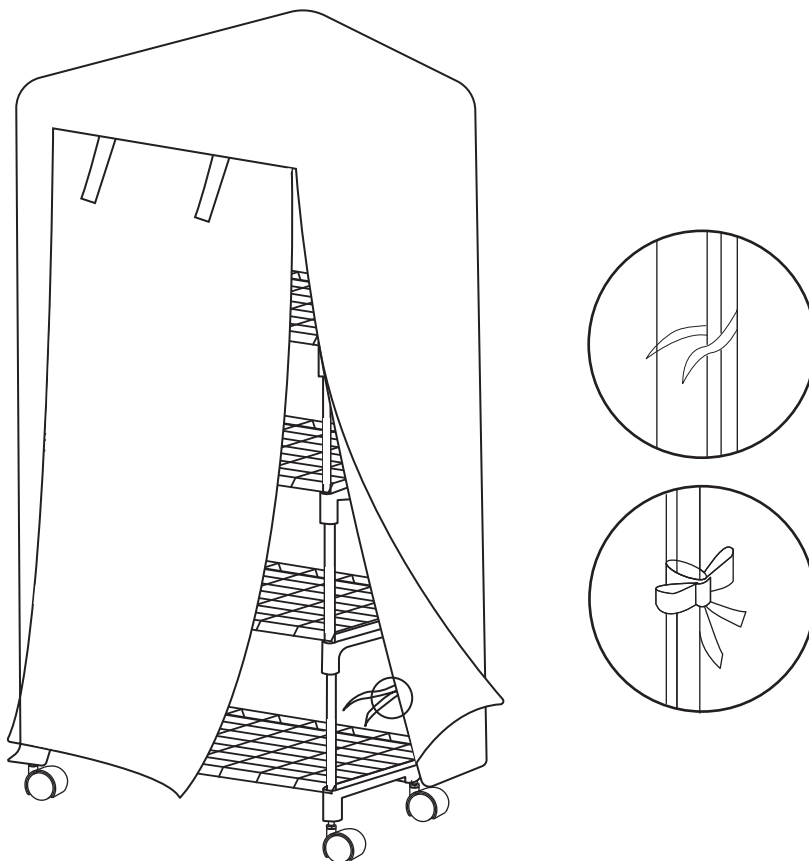


INSTALLATION

STEP 3



STEP 4



Designed by **VIVOSUN** in California.
Made in China.