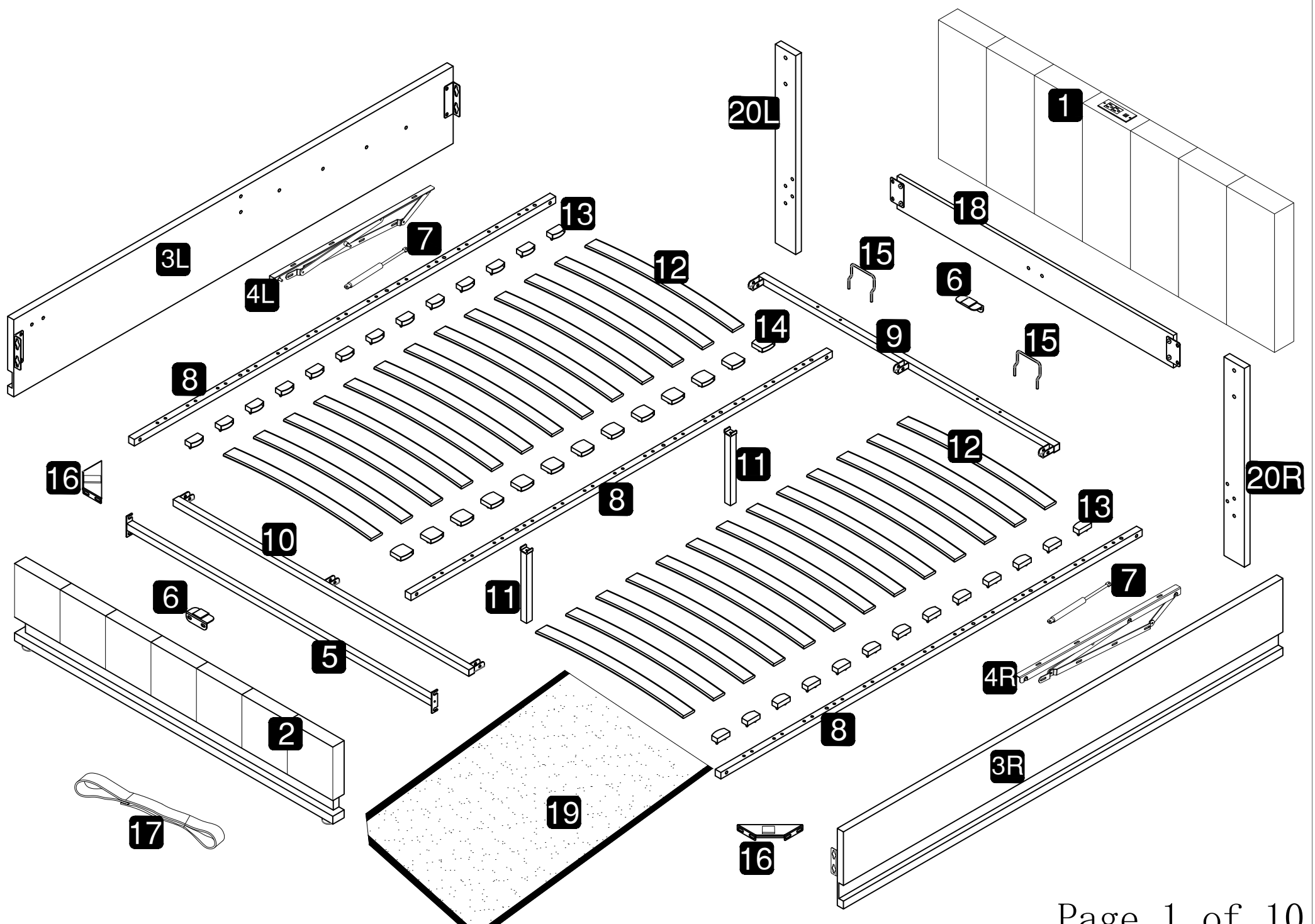
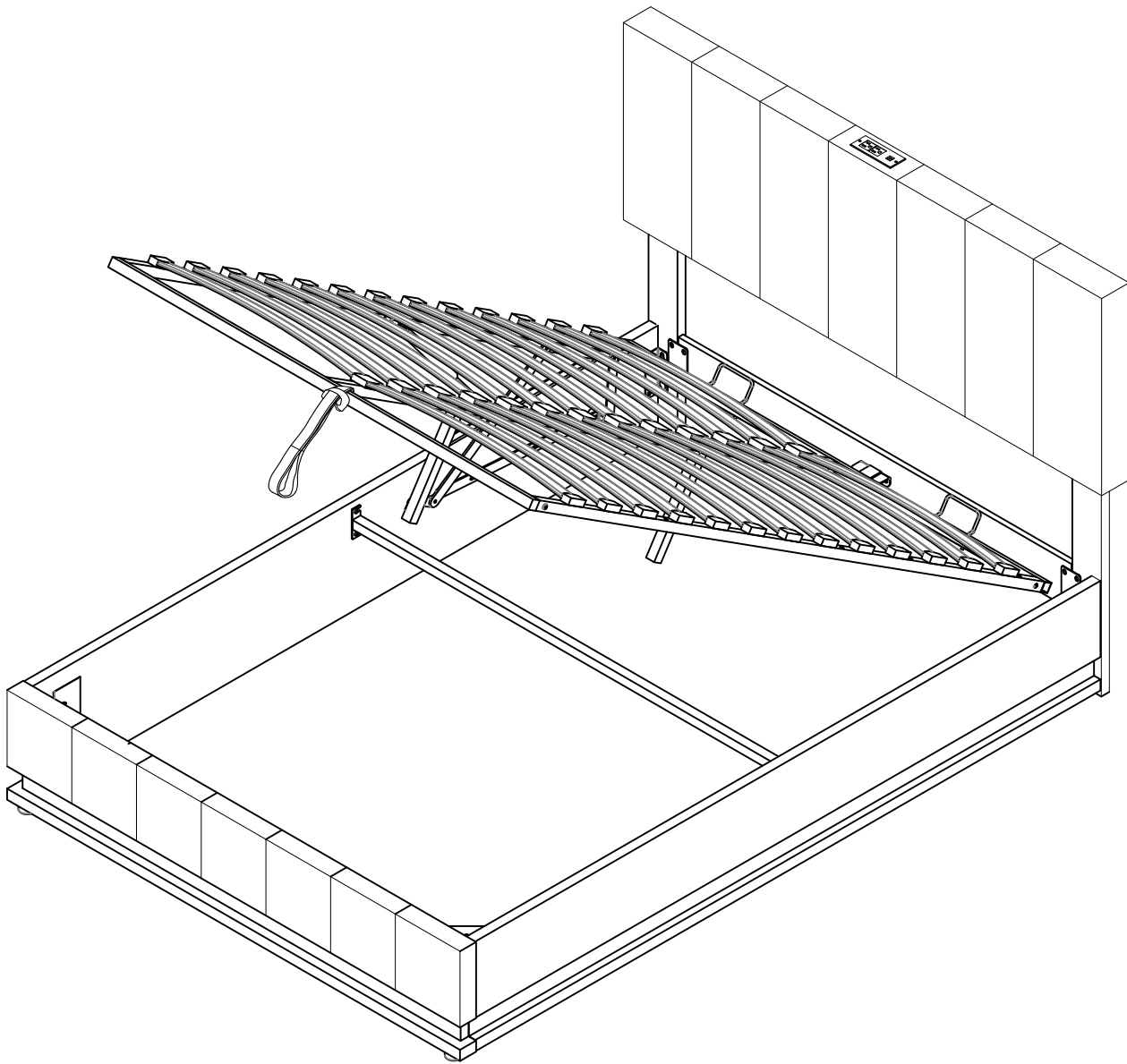


# ASSEMBLY INSTRUCTION

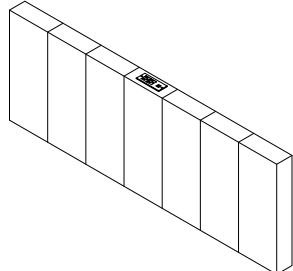
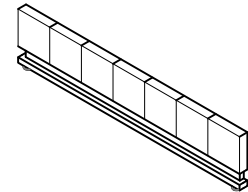
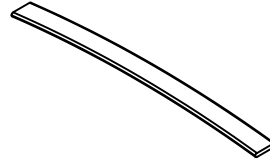
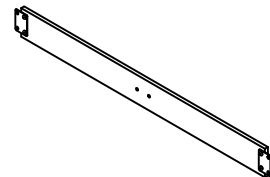
## WF307272/WF307273

### TIPS

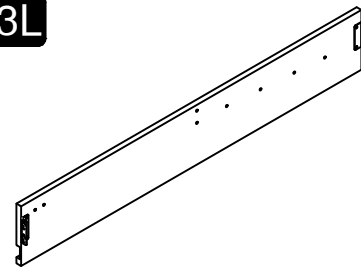
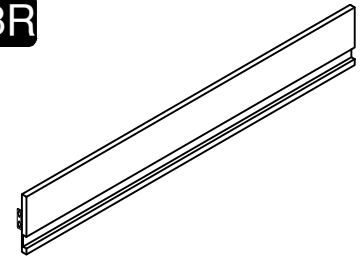
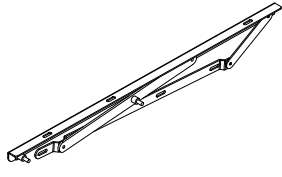
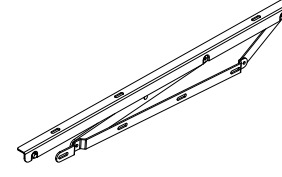
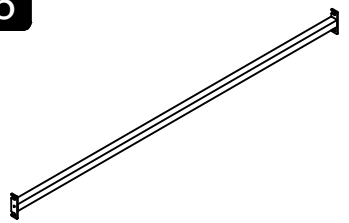
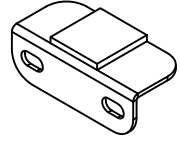
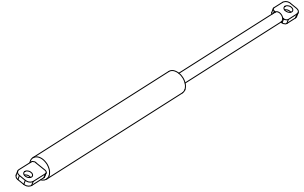
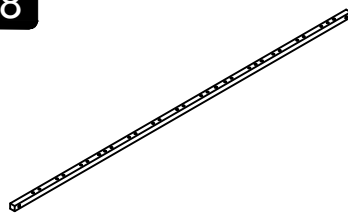
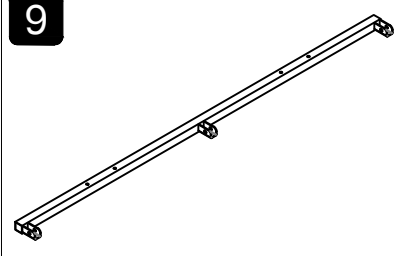
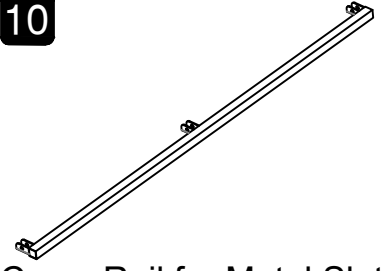
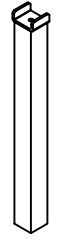
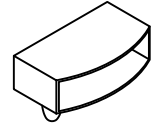
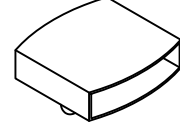
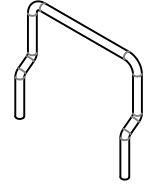
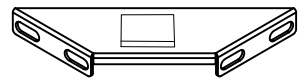
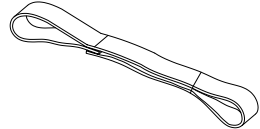
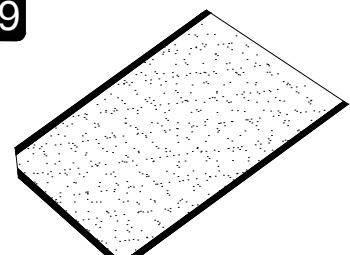

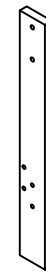
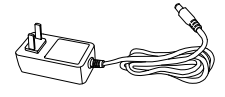

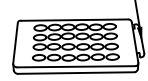
1. Please read the instructions fully before assembly. These instructions include important information which could ensure correct assembly. We have been working on providing high quality products for you. However, in the rare instance that your product is defective, missing parts or there are some issues, please don't hesitate to contact our customer service to submit parts requirements, assembly suggestion, or warranty claims, and we will give the best solution as soon as possible. If necessary, we need you to provide some more clear pictures of the issue.
2. Insert the screws in holes and tighten the screws, but not too tight, 70%~80% is ok, finally tighten all the screws. If some issues happened that some screws can not target to the hole or some parts are difficult to install, please adjust the tightness of the screws.
3. 2 people are recommended to finish.



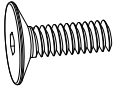
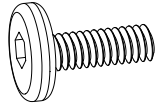
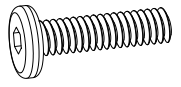
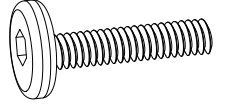
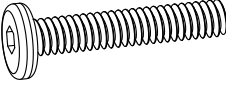


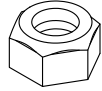
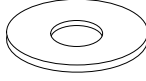

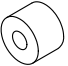
# Part List WF307272

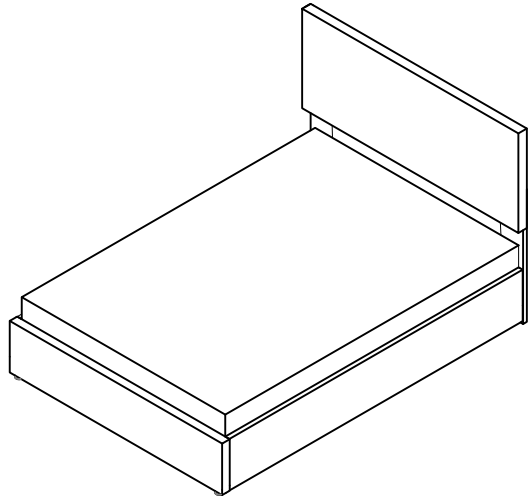
<p><b>1</b></p>  <p>Headboard X1</p>	<p><b>2</b></p>  <p>Footboard X1</p>	<p><b>12</b></p>  <p>Slats X 26</p>	<p><b>18</b></p>  <p>Head board leg Connecting plate X1</p>	
---	---	---	--	--

# Part List WF307273

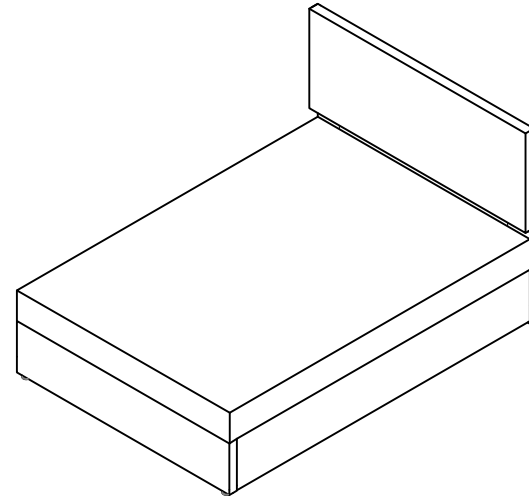
<p><b>3L</b></p>  <p>Side Rails(LH) X1</p>	<p><b>3R</b></p>  <p>Side Rails(RH) X1</p>	<p><b>4L</b></p>  <p>Lift Mechanism (LH) X1</p>	<p><b>4R</b></p>  <p>Lift Mechanism (RH) X1</p>	<p><b>5</b></p>  <p>Reinforced Pipe X1</p>
<p><b>6</b></p>  <p>Angle Iron X2</p>	<p><b>7</b></p>  <p>Gas Strut X2</p>	<p><b>8</b></p>  <p>Side Rails for Metal Slat Frame X3</p>	<p><b>9</b></p>  <p>Cross Rail for Metal Slat Frame - Headend X1</p>	<p><b>10</b></p>  <p>Cross Rail for Metal Slat Frame - Footend X1</p>
<p><b>11</b></p>  <p>Centre Support Leg X2</p>	<p><b>13</b></p>  <p>Plastic Slat Caps</p>	<p><b>14</b></p>  <p>Centre Slat Caps</p>	<p><b>15</b></p>  <p>Mattress Stopper X2</p>	<p><b>16</b></p>  <p>Metal Corner Bracket X2</p>
<p><b>17</b></p>  <p>Rope X1</p>	<p><b>19</b></p>  <p>Bottom cloth X1</p>	<p><b>20L</b></p>  <p>Head board leg -(LH) X1</p>	<p><b>20R</b></p>  <p>Head board leg-(RH) X1</p>	<p><b>M</b></p>  <p>LED Power Transformer X1</p>
<p><b>N</b></p>  <p>Controller X1</p>	<p><b>O</b></p> <p>Unplug the battery separator of the remote control before use.</p>  <p>Controller X1</p>			

# Hardware List WF307273

<p><b>A</b></p>  <p>Bolts(M8x18mm) X4</p>	<p><b>B</b></p>  <p>Bolts(M8x20mm) X24</p>	<p><b>C</b></p>  <p>Bolts(M8x30mm) X8</p>	<p><b>D</b></p>  <p>Bolts(M8x40mm) X12</p>	<p><b>E</b></p>  <p>Bolts(M8x50mm) X4</p>
<p><b>F</b></p>  <p>Bolts(M6x35mm) X2</p>	<p><b>G</b></p>  <p>Spanner X1</p>	<p><b>H</b></p>  <p>Non-slip nuts(M8) X16</p>	<p><b>J</b></p>  <p>Flat Washer X12</p>	<p><b>K</b></p>  <p>Allen Key X1</p>
<p><b>L</b></p>  <p>Plastic washer X8</p>				



**This product is not suitable for mattress recessed type.**



**This product is suitable for placing mattresses on the top.**

## **IMPORTANT NOTICE**

### **OTTOMAN OPERATING INSTRUCTIONS**

Once your bed frame is completely assembled, the slat unit will not operate correctly unless a mattress is placed on the slat frame. Position the mattress on the slat frame whilst it is in the closed position.

**PLEASE NOTE** - It takes a lot of force to make the initial movement of the ottoman. This is a design feature of the product so that it does not fall shut - the nearer to being closed the ottoman is, the easier it is to move. When the ottoman is almost shut, it will close completely under its own weight.

When lowering the slat unit for the first time, take care to make sure it does not rub unevenly on the inside face of the side rails. If it does, the bed has been assembled slightly out of square. This can be rectified by moving the foot end of the bed slightly to the left or right whilst leaving the head end stationary.

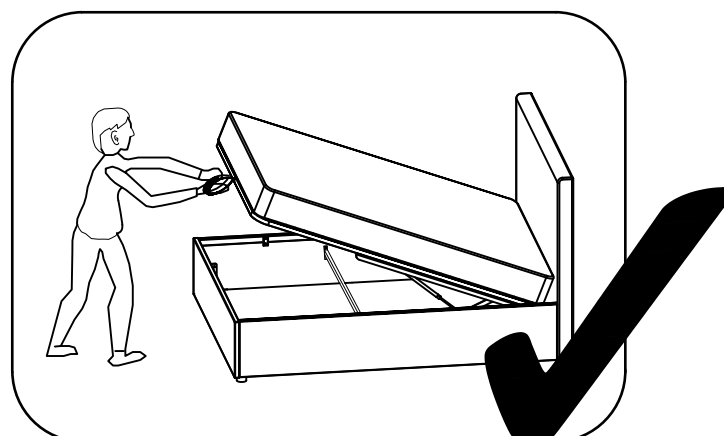
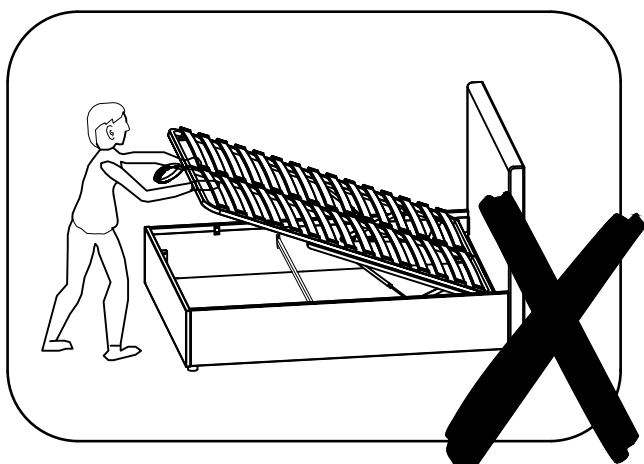
### **PISTONS**

The pistons used in the construction of this product are extremely strong and cannot be operated by hand when taken off the ottoman. All pistons are tested for correct pressure and operation before being attached to the slat unit.

Initially it might appear that the pistons are very stiff when opening and closing the ottoman.




**THIS IS PERFECTLY NORMAL**

**When fully assembled and the mattress is in position, please raise and lower the ottoman 4/5 times to ensure the gas piston are fully lubricated.**

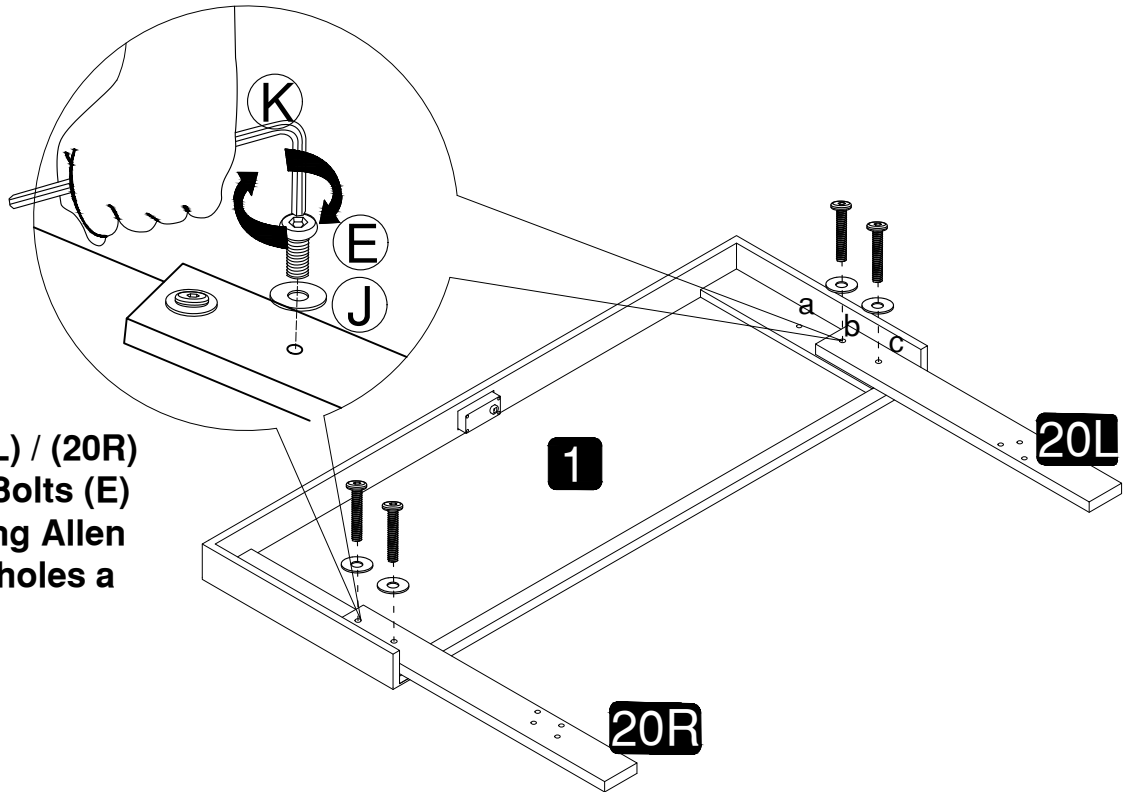


**Attention: Do not tighten the screws before completing the entire installation. If you have any difficulty with the installation process, please feel free to contact us.**

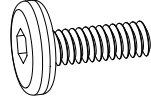

### Step 1:

- (E)**  ×4
- (J)**  ×4
- (K)**  ×1

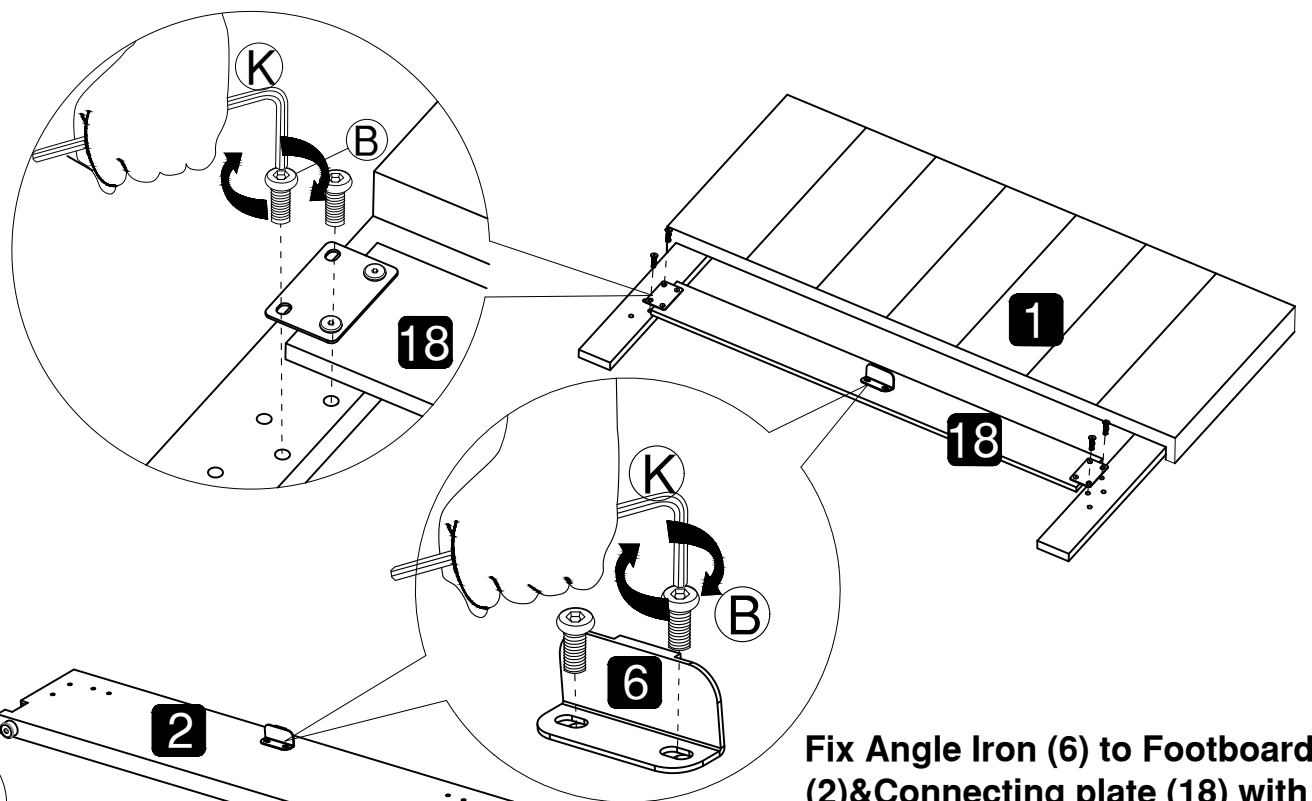
Fix the Headboard legs(20L) / (20R) To the headboard(1) With Bolts (E) and Flat Washer (J) by using Allen key (K),you can chose the holes a and b or b and c .



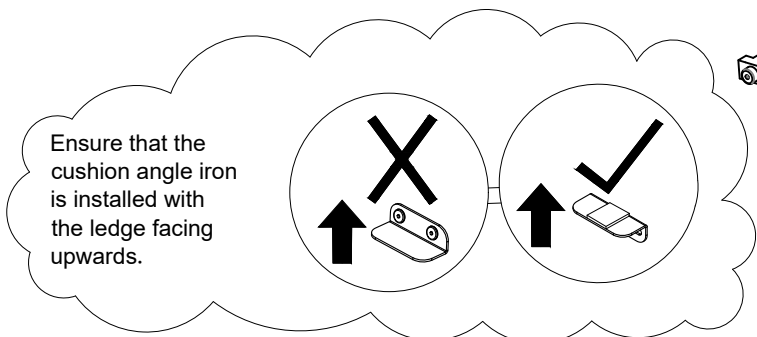
### Step 2:

- (B)**  ×8
- (K)**  ×1

Fix the leg connecting plate (18) to the Head board leg (20L)/(20R) with Allen key (K) Bolts (B).

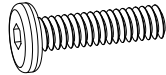
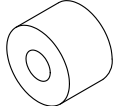



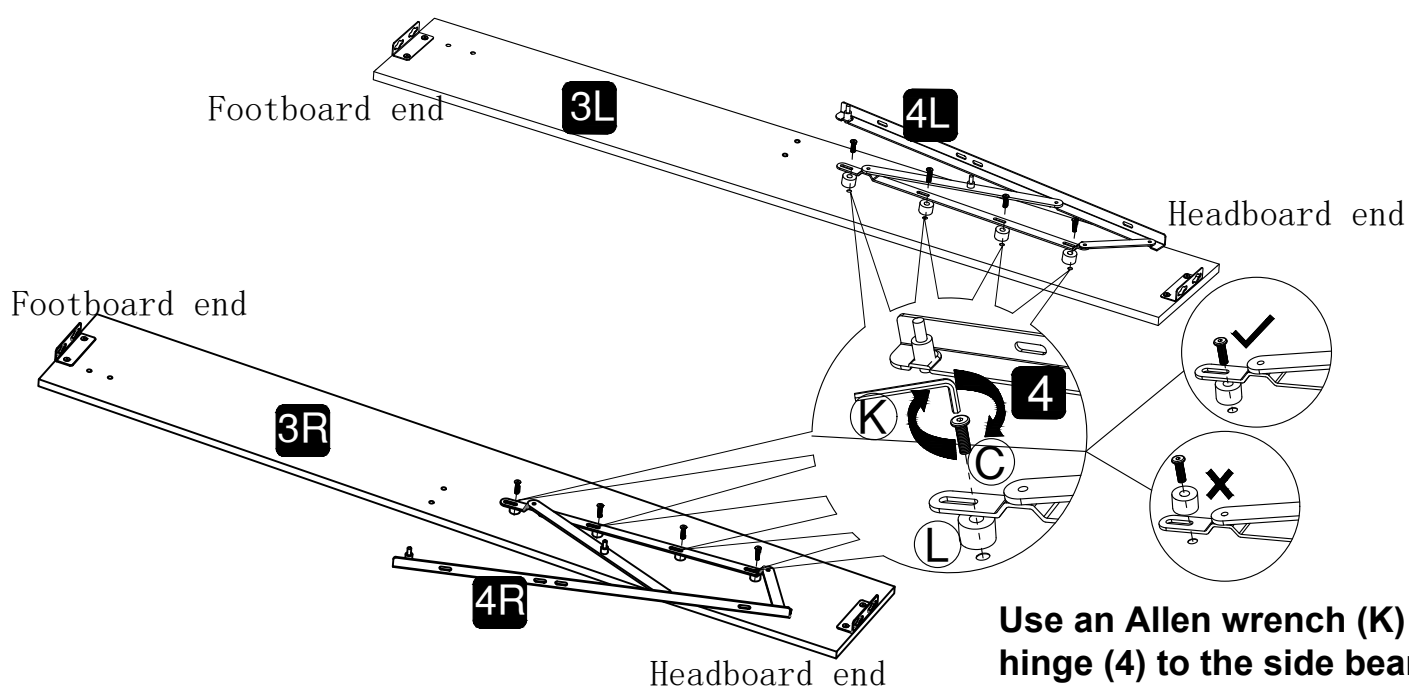
Fix Angle Iron (6) to Footboard (2)&Connecting plate (18) with hexagon wrench (K) screw (B).



Ensure that the cushion angle iron is installed with the ledge facing upwards.

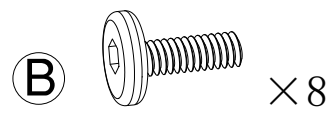
### Step 3:

- (C)**  ×8
- (L)**  ×8
- (K)**  ×1

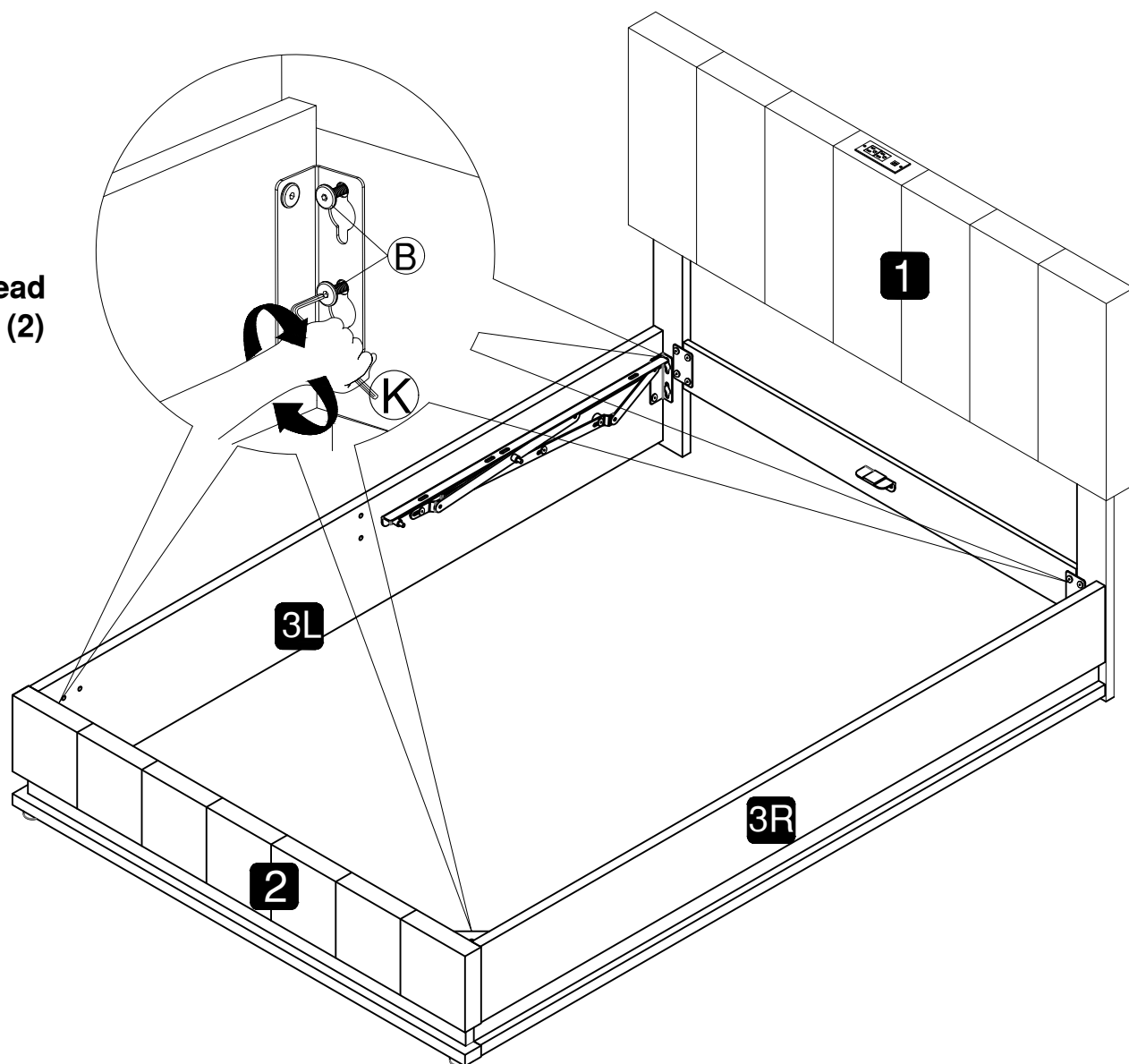


Use an Allen wrench (K) to connect the hinge (4) to the side beams (3L) and (3R) at the headboard end with M8 bolts (C) and plastic washers (L).

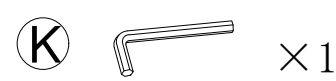
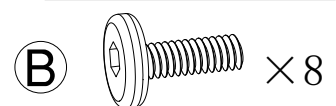
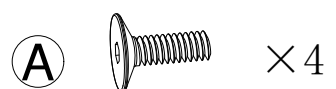
## Step 4:



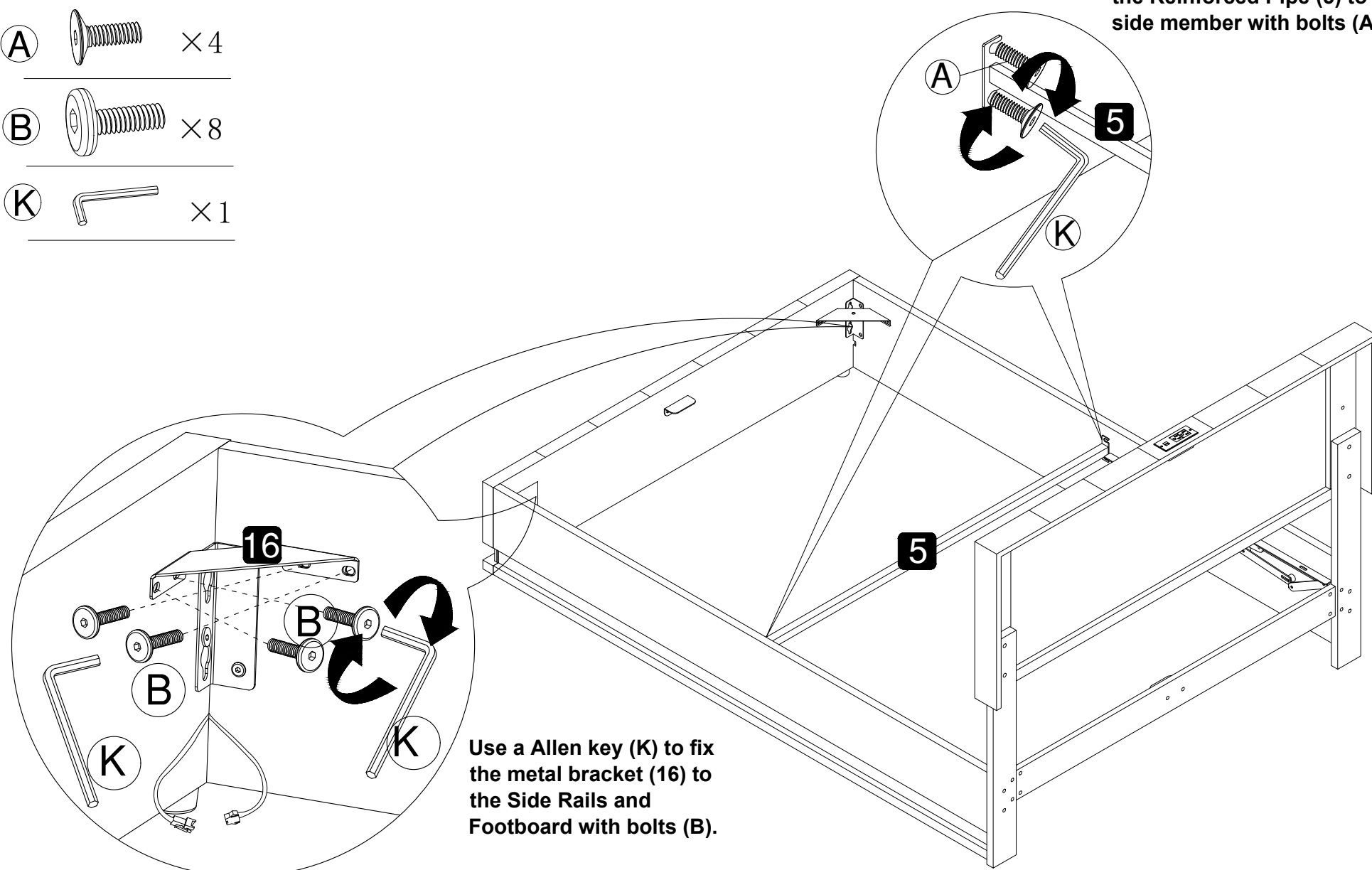
Fix the Side Rails (3L)&(3R) to the Head board leg (20L)/(20R) and Footboard (2) with a Allen key (K) and bolts (B).



## Step 5:



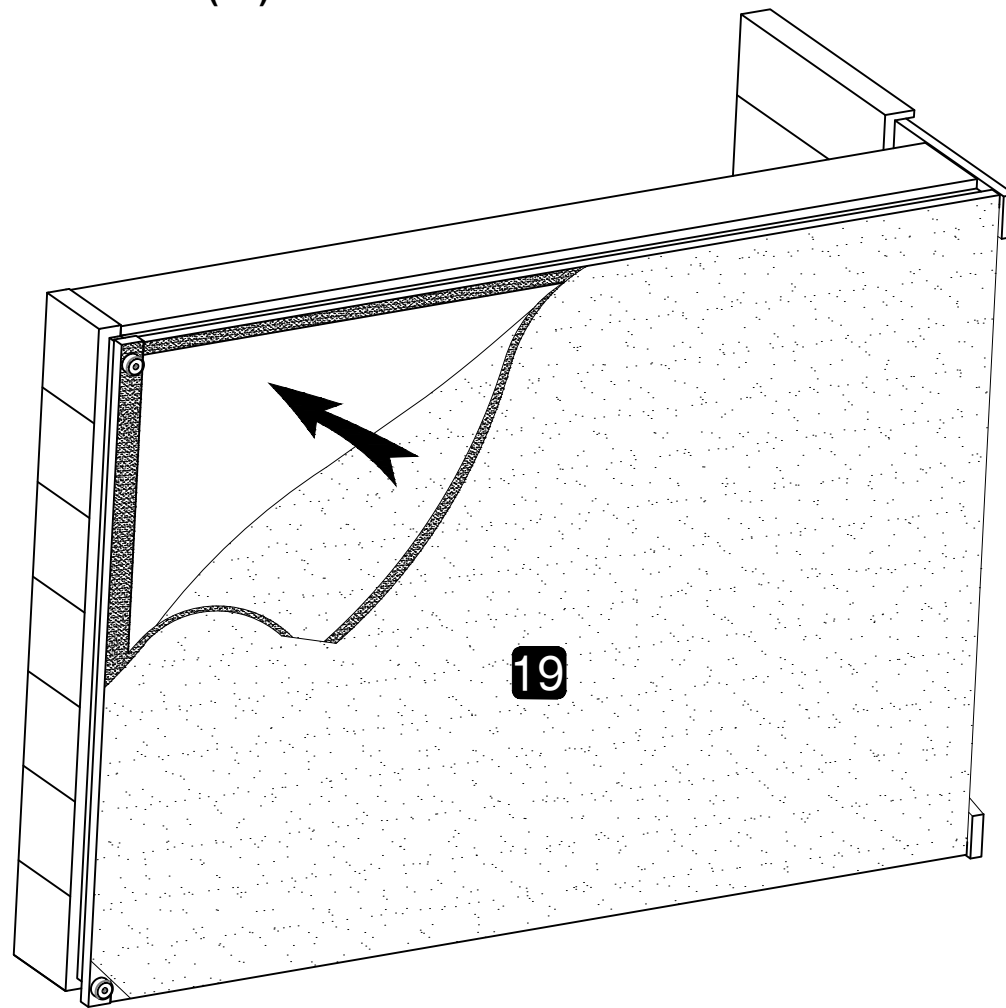
Use a Allen key (K) to connect the Reinforced Pipe (5) to the side member with bolts (A).







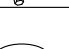
Use a Allen key (K) to fix the metal bracket (16) to the Side Rails and Footboard with bolts (B).

## Step 6:

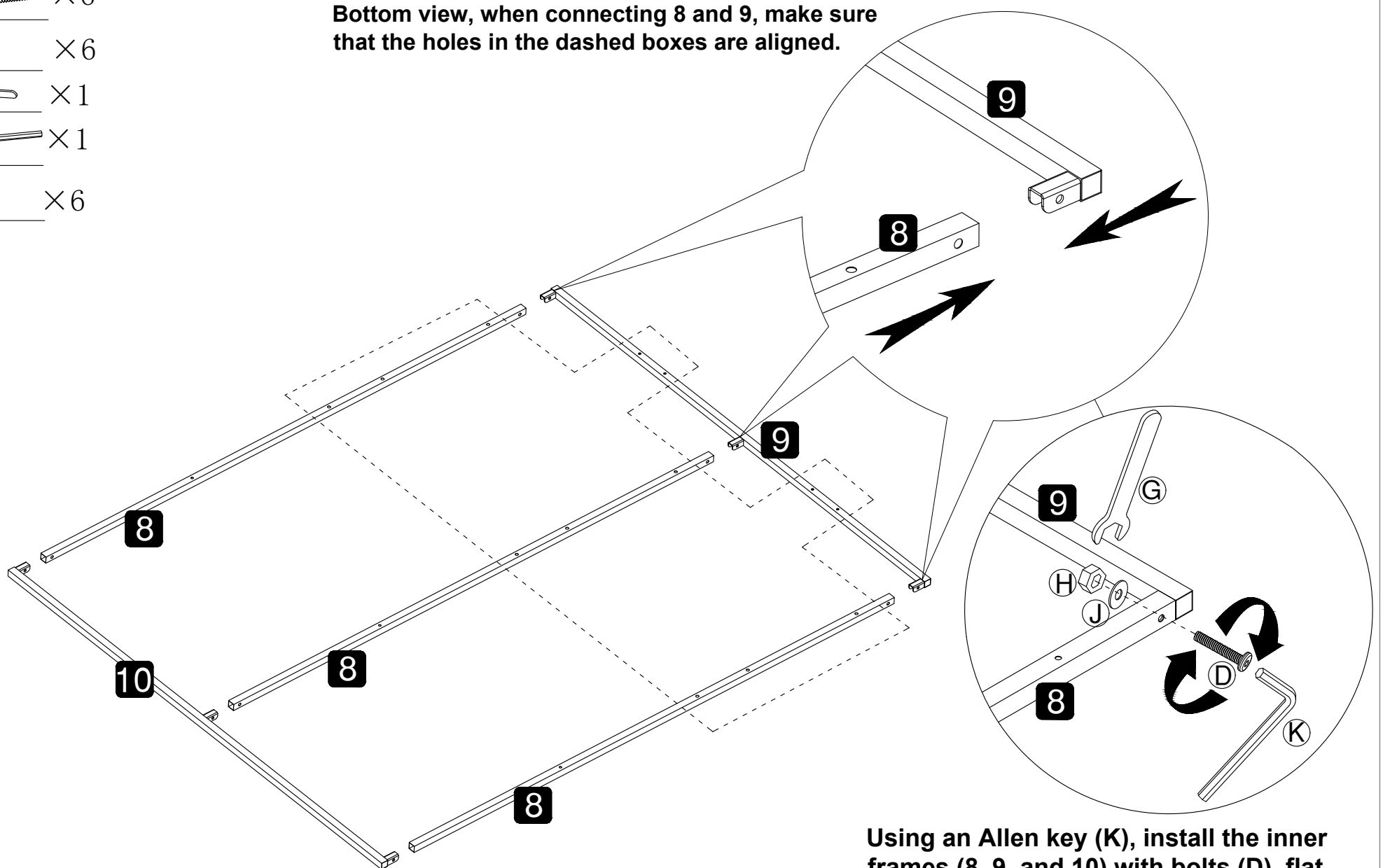
Stick the Bottom cloth (19) To the bottom of bed.



## Step 7:







- D**  × 6
- H**  × 6
- G**  × 1
- K**  × 1
- J**  × 6

Bottom view, when connecting 8 and 9, make sure that the holes in the dashed boxes are aligned.

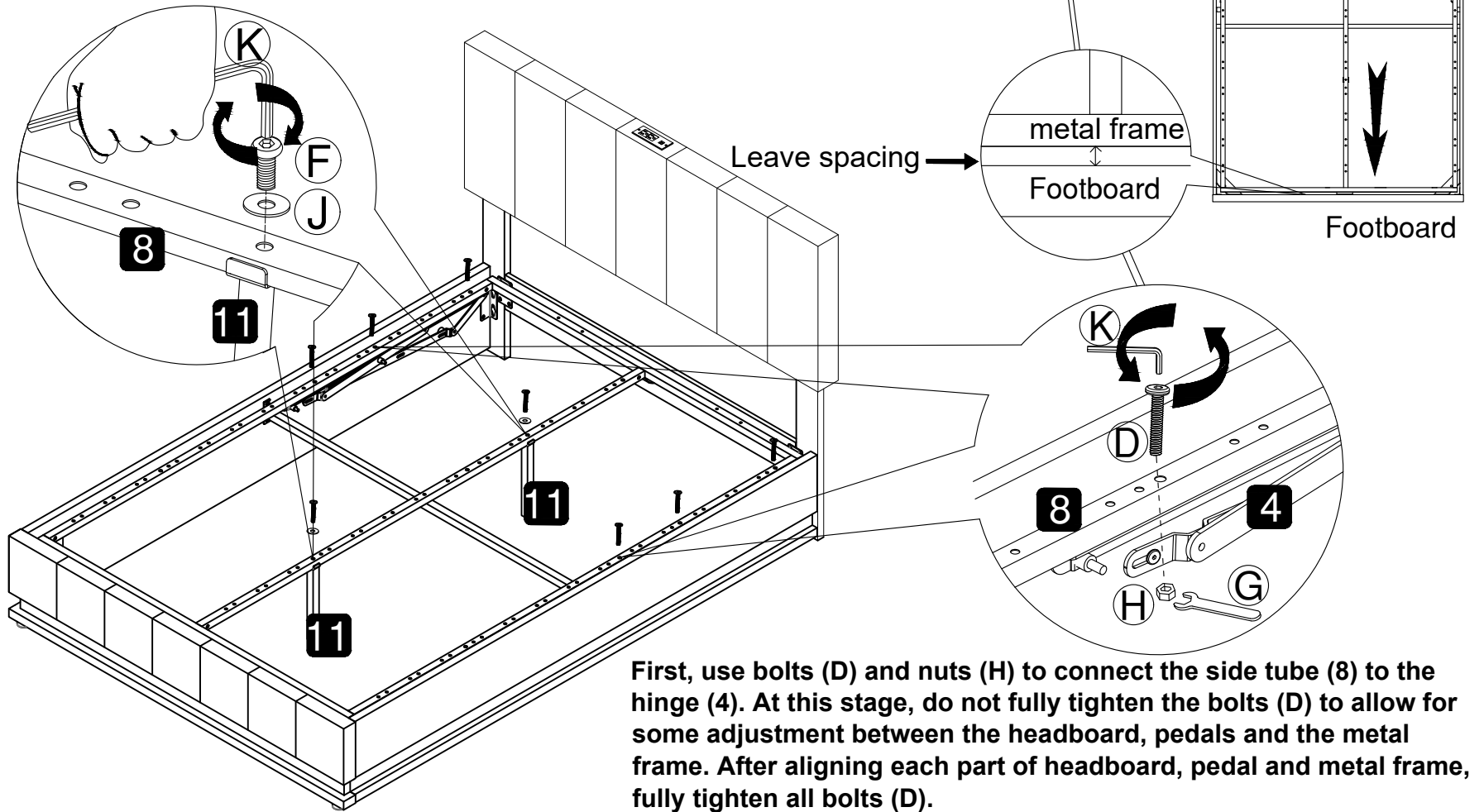


Using an Allen key (K), install the inner frames (8, 9, and 10) with bolts (D), flat washers (J), and non slip nuts (H).

# Step 8:

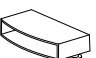

- D**  × 6
- F**  × 2
- H**  × 6
- G**  × 1
- K**  × 1
- J**  × 2

Use an Allen key (K) to connect the center leg (11) to the center pipe (8) with M6 bolts (F) and flat washers (J).



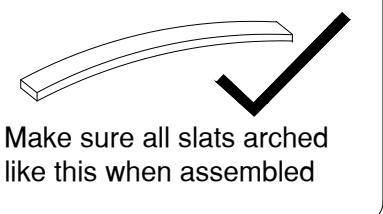
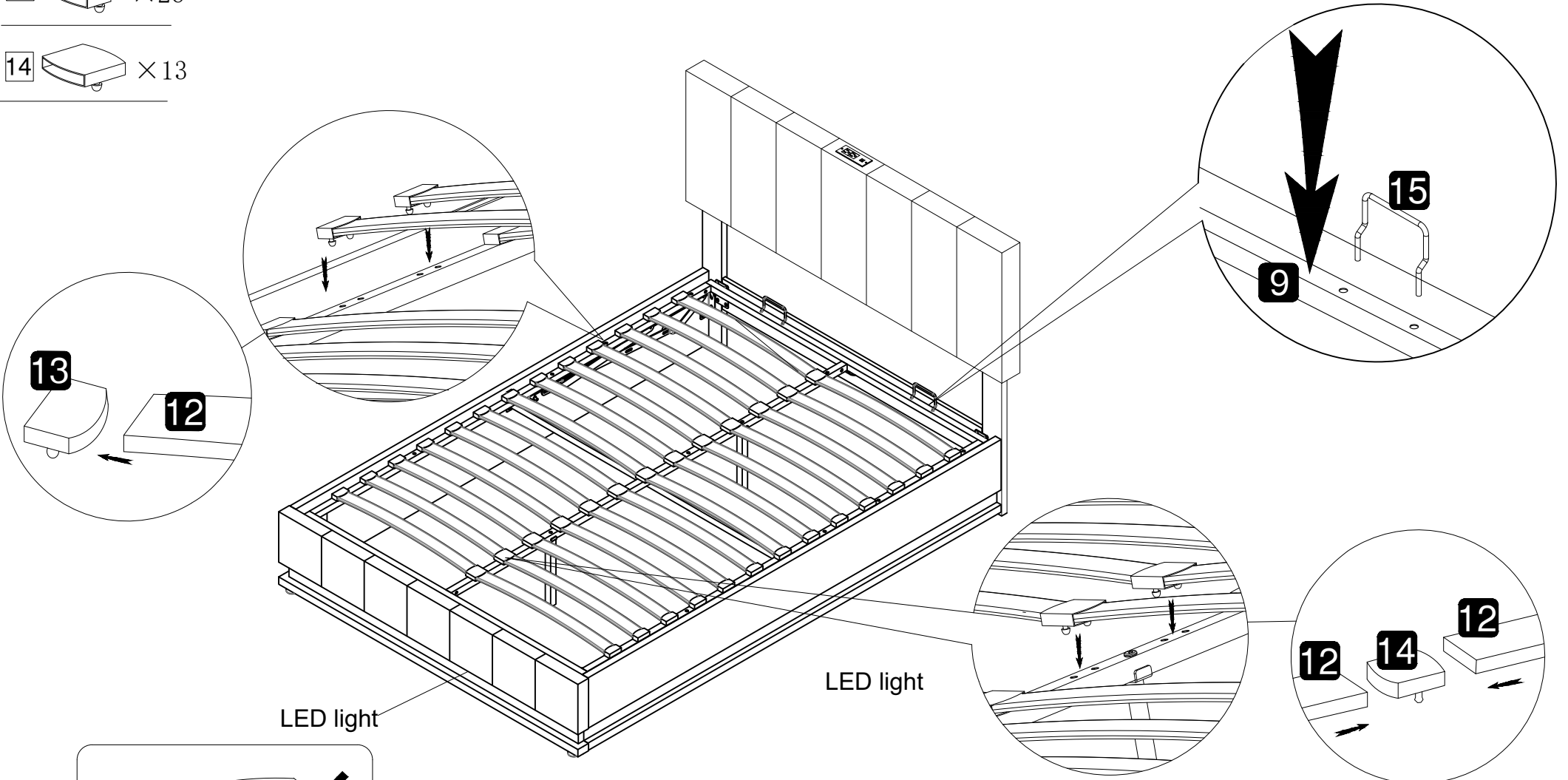
First, use bolts (D) and nuts (H) to connect the side tube (8) to the hinge (4). At this stage, do not fully tighten the bolts (D) to allow for some adjustment between the headboard, pedals and the metal frame. After aligning each part of headboard, pedal and metal frame, fully tighten all bolts (D).

# Step 9:

- 13**  × 26
- 14**  × 13




Attach the plastic slat caps (13) to each slat (12) at the side Then press down the hole corresponding to the side pipe (8).

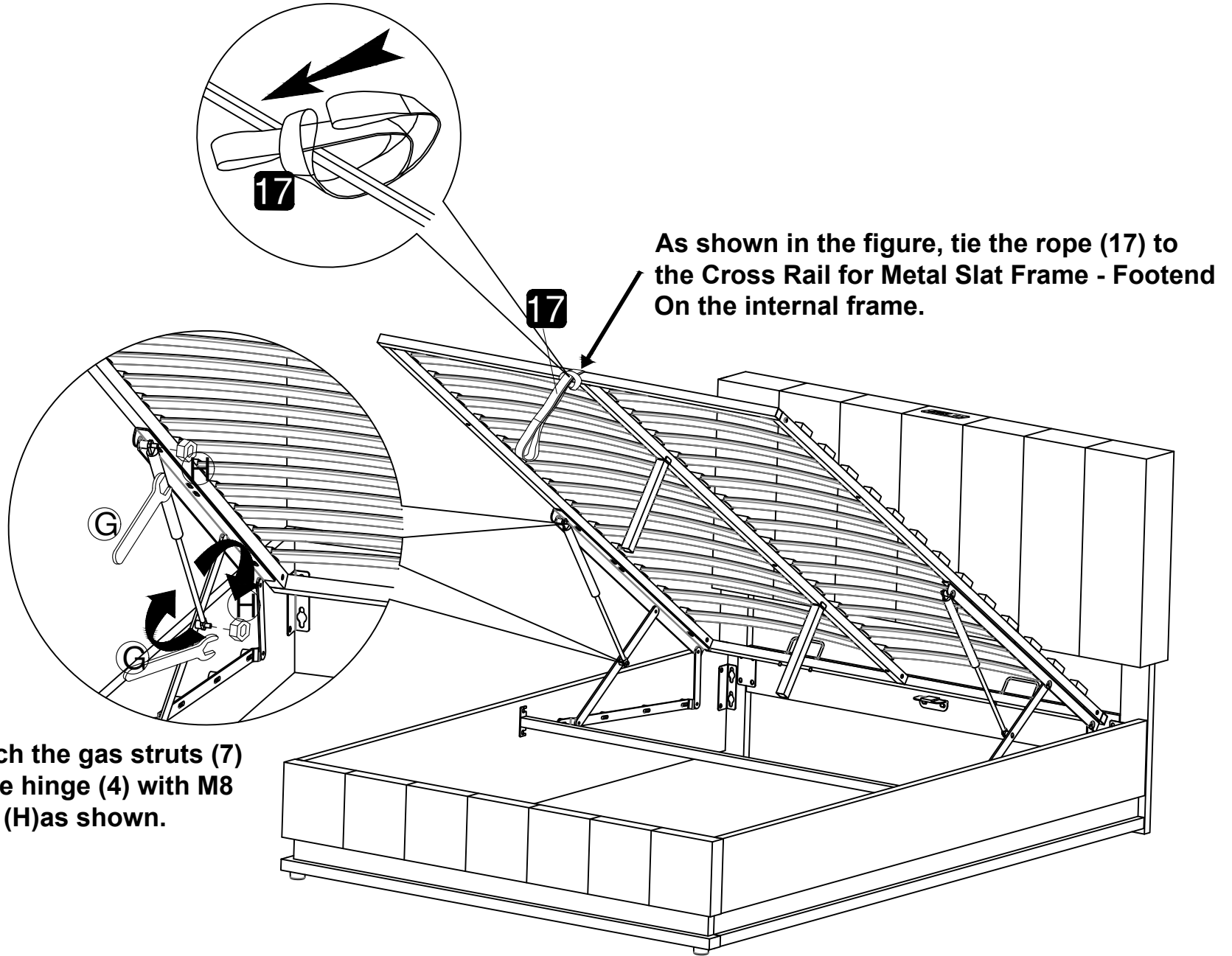
Insert the Mattress Stopper (15) into the hole corresponding to Cross Rail for Metal Slat Frame (9).



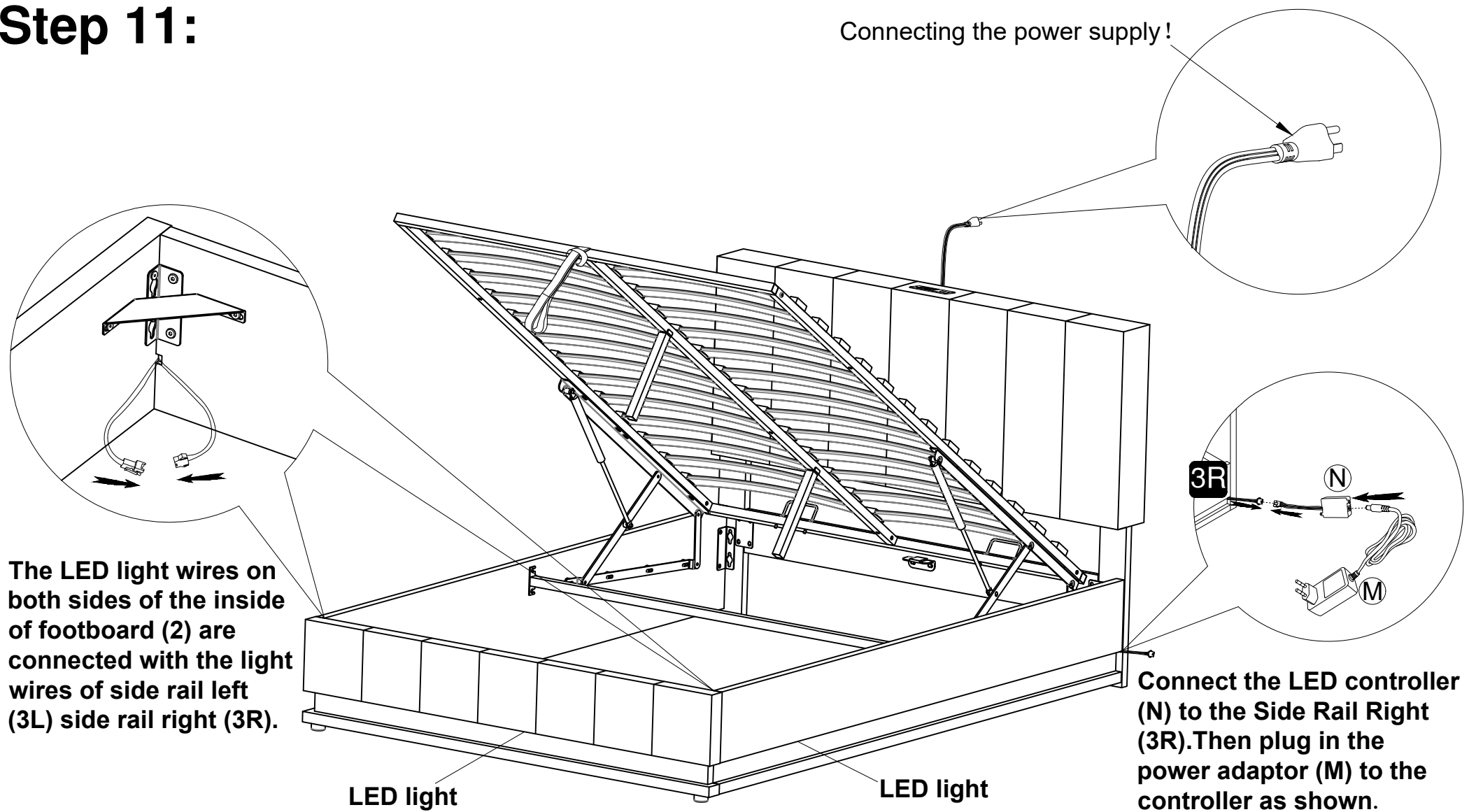
Attach the centre slat caps (14) between two slats (12) at the centre Then press down the hole corresponding to the side pipe (8).

## Step 10:

- H**  × 4
- G**  × 1
- 17**  × 1



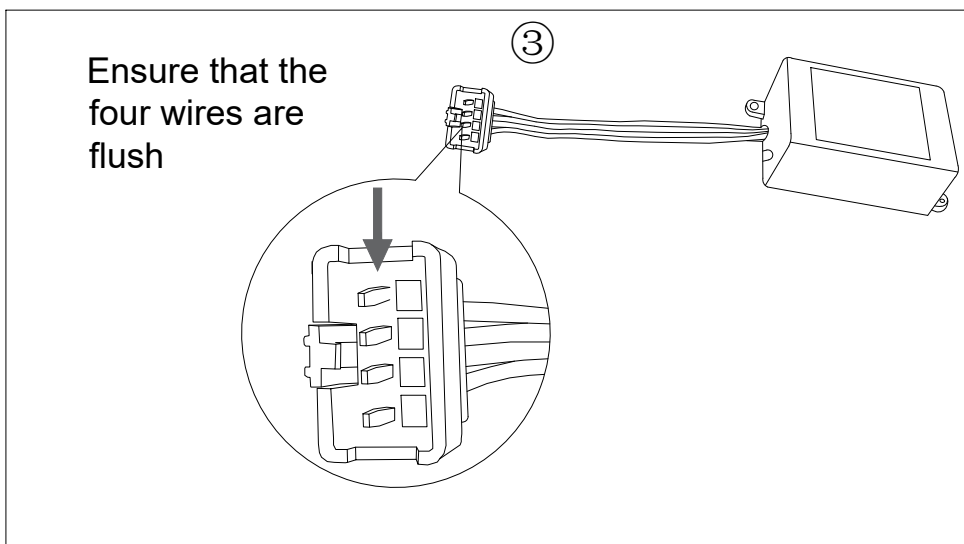
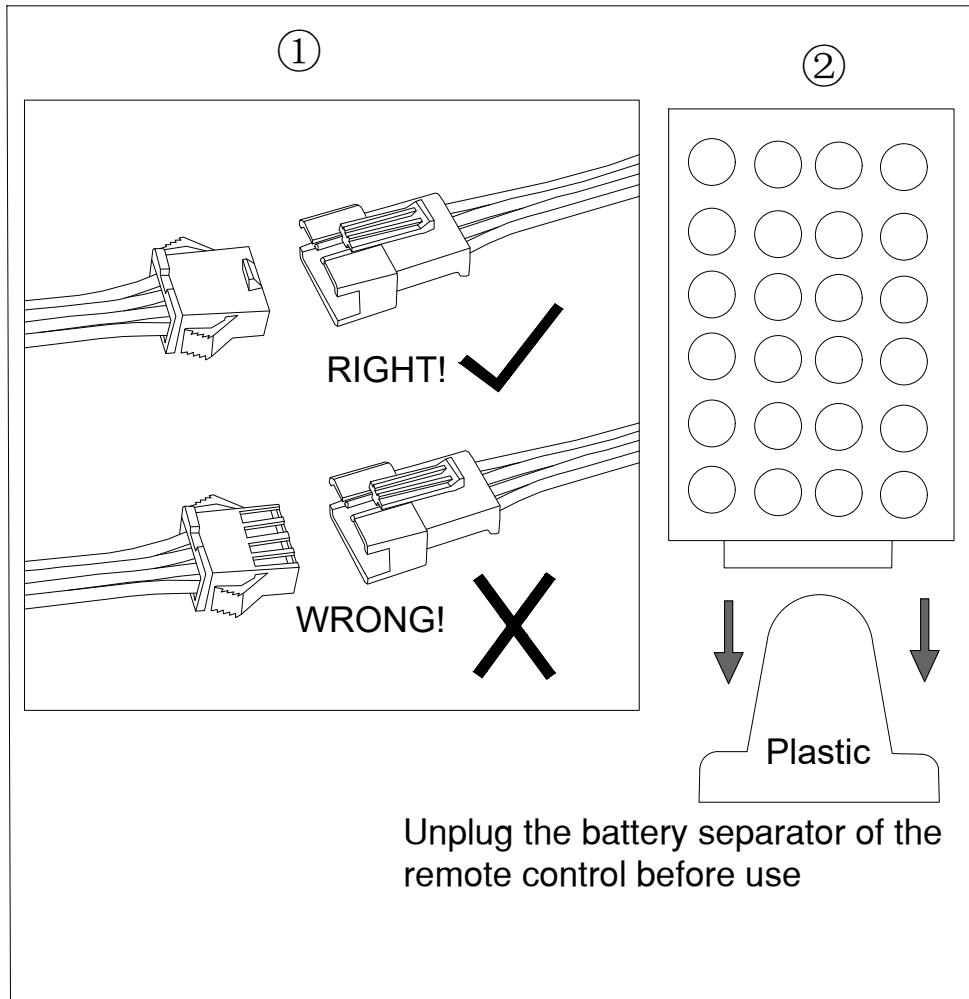
## Step 11:



## LED light

If you can't let the lights work successfully, please check the following:

1. Please check the direction of the connect, try it in the opposite direction, according to the following picture.
2. Please check the remote control, it need you to tear down the plastic septum before use it.
3. If one of the colors is not bright, please check whether the four wires in the plug are skewed, and move the main line to make the four wires flush.



1. Please check the direction of the arrow
2. Please pull the plastic block out of the remote control
3. Please check whether the four wires of the plug are neat

## Operation Instructions of Controller

### I. Specifications:

Working temperature: -20-60 °C

Supply voltage: DC12V

Product size: L62xW35xH23mm

Package size: L95xW68xH45mm

Net weight: 42g

Gross weight: 57g

Output: Three CMOS drain- open output

Connecting Mode: Common anode

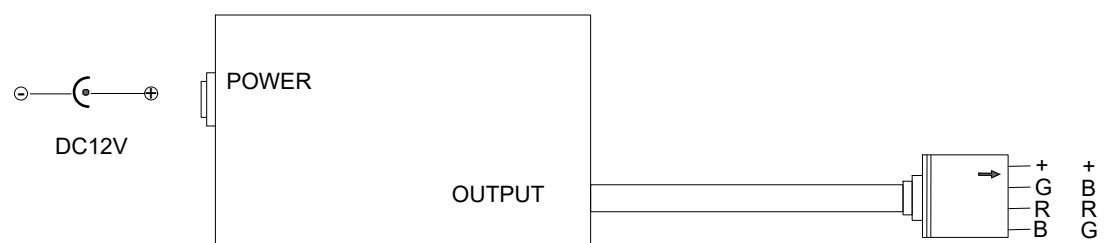
Max load current: 2 A each color

### II. Control Method:

Adopt RF remoter to control the led controller, which has 24 buttons, the function of each button as the table below:

Brightness +(Speed up)	Brightness - (Speed down)	Off	On
Static red	Static green	Static blue	Static white
Static orange	Static pea green	Static dark blue	7 color jumpy change
Static dark yellow	Static cyan	Static brown	All fade out&fade in
Static yellow	Static light blue	Static pink	7 color fade change
Static straw yellow	Static sky blue	Static purple	3 base color jumpy

### III. Panel specification and connecting drawing as follows:



### IV. Warning:

1. Supply voltage of this product is DC12V never connect to DC24V or AC220V.
2. Never connect two wires directly in case of short circuit.
3. Lead wire should be connected correctly according to colors that connecting diagram offers.
4. Warranty of this product is one year, in this period we guarantee replacement or repairing with no charge, but exclude the artificial situation of damaged or overload working.

## ! WARNING

**THIS PRODUCT CONTAINS A BUTTON BATTERY**

If swallowed, a lithium button battery can cause severe or fatal injuries within 2 hours.

Keep batteries out of reach of children.

If you think batteries may have been swallowed or placed inside any part of the body, seek immediate medical attention.