

WARDROBE WITH 3 DRAWERS

User Manual

INTRODUCTION

Thank you very much for choosing our Wardrobe. Please read the instruction carefully before assembly and keep it for future reference. If you need further assistance on assembly, please contact our customer service through email.

TIPS:

1. When installing the product, use a soft underlay (such as carpet or cardboard) to avoid scratching or damaging the surface of the product.
2. Don't tighten screws completely at first, just in case parts were assembled wrong and need disassemble. Tighten screws at last when all parts are put together.
3. The structure of this product can not meet the requirements of the placement of heavy items and children climbing.

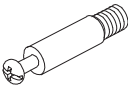

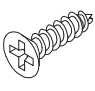
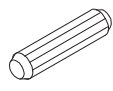

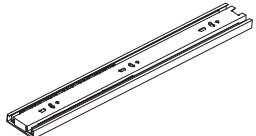


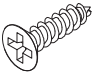


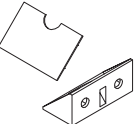
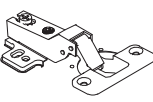





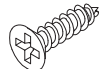
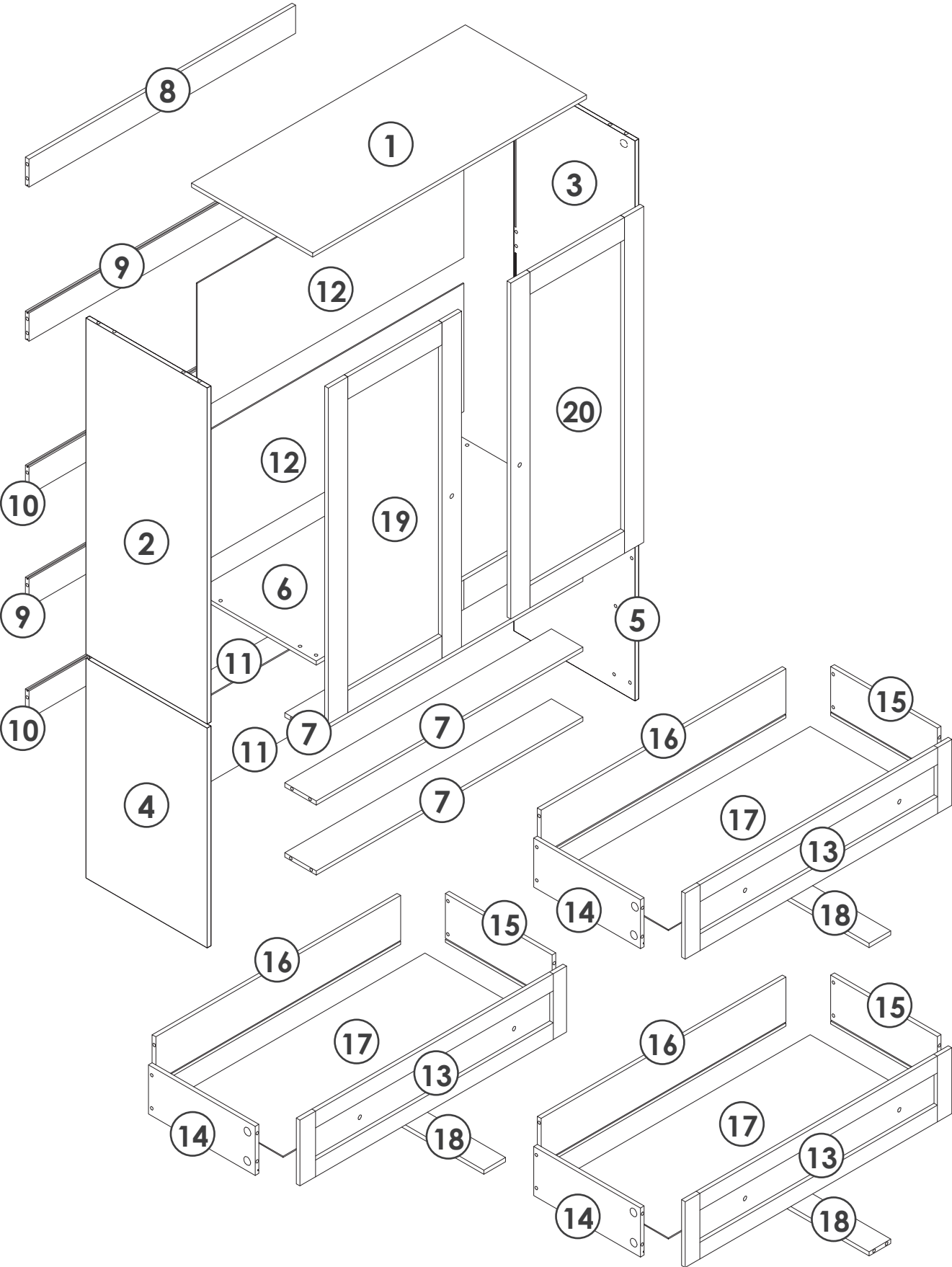
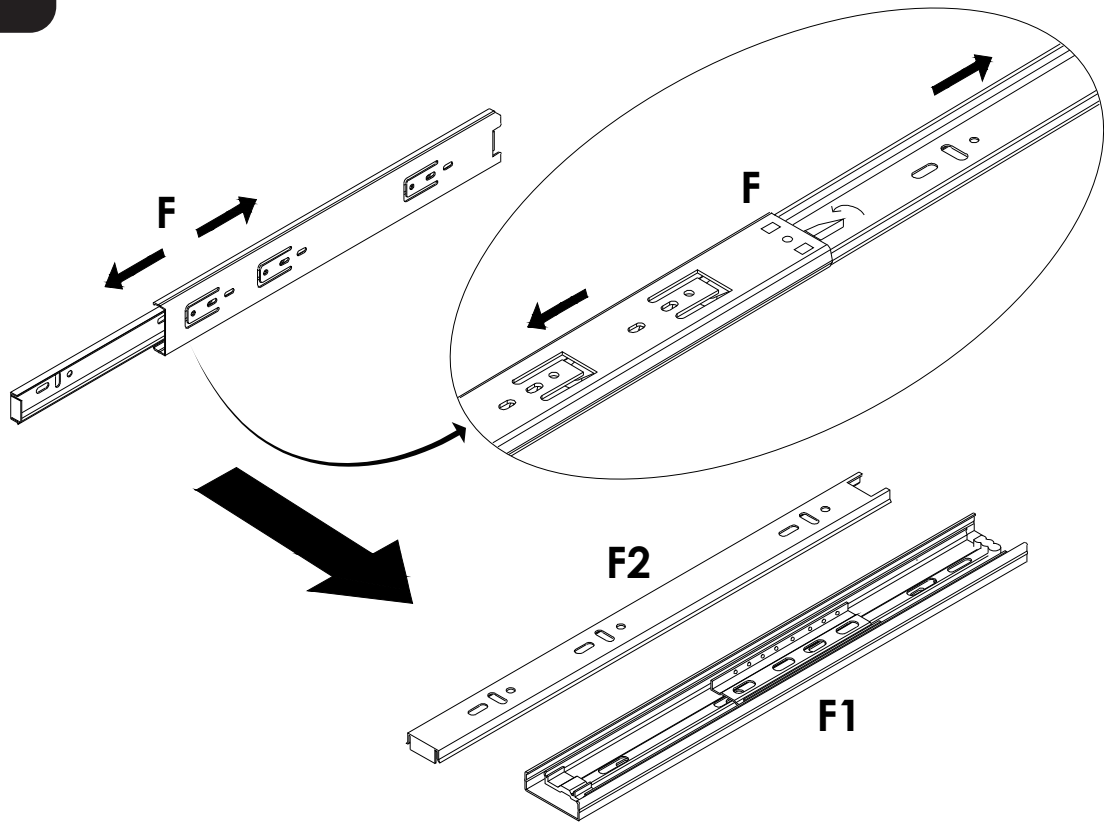
A M6X40  x65	B M15X11  x65	C M3.5X14  x48	D M8X40  x12	E M5X40  x18
F = F₁+F₂  12inches x6	G  x8	H = H₁+H₂ M3X16   x32	J  x2	K  x24
L = L₁+L₂  x1	M  x4	N  x1		P  x4
Q M4X20  x2	R M4X10  x6	T=+T₁+T₂+T₃+T₄+T₅  T₁ T₂ T₃ T₄ T₅ x2		S M3.5X12  x18

PLATE NUMBER



INSTALLATION INSTRUCTION

1

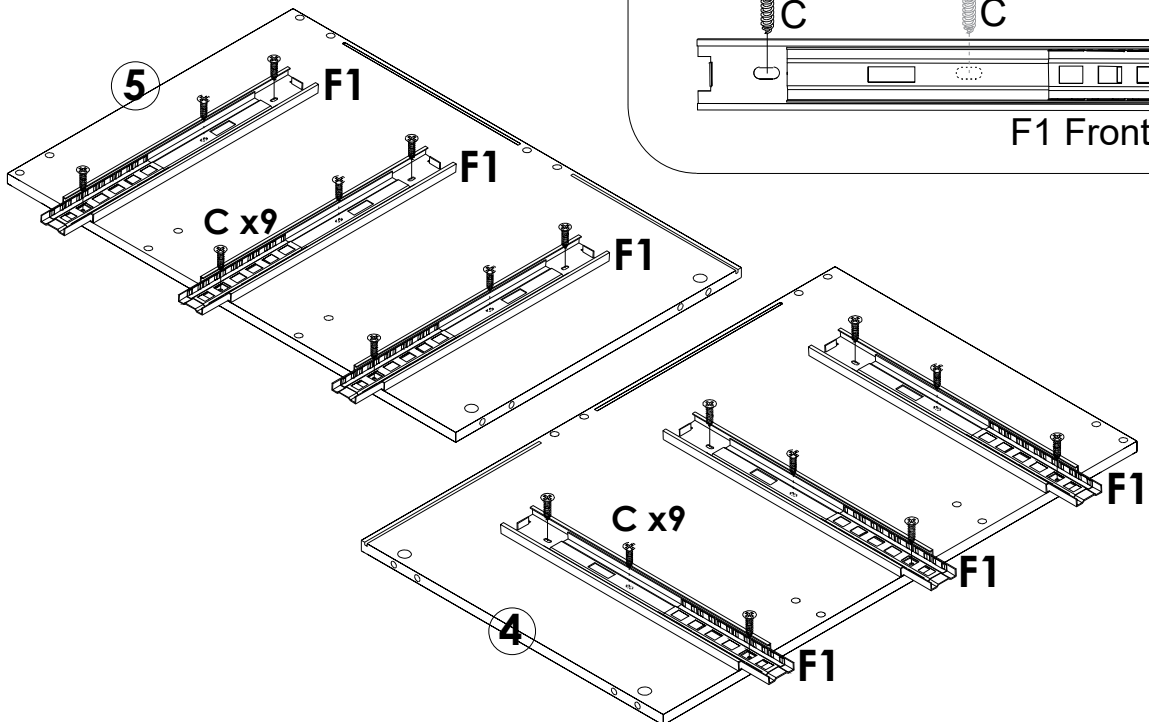
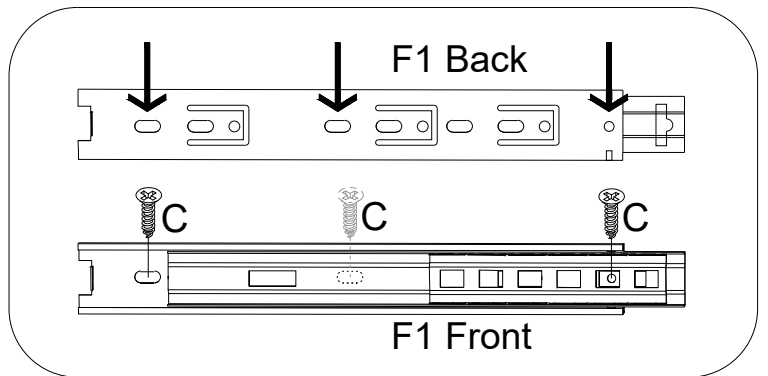


2

YOU WILL NEED

C x18

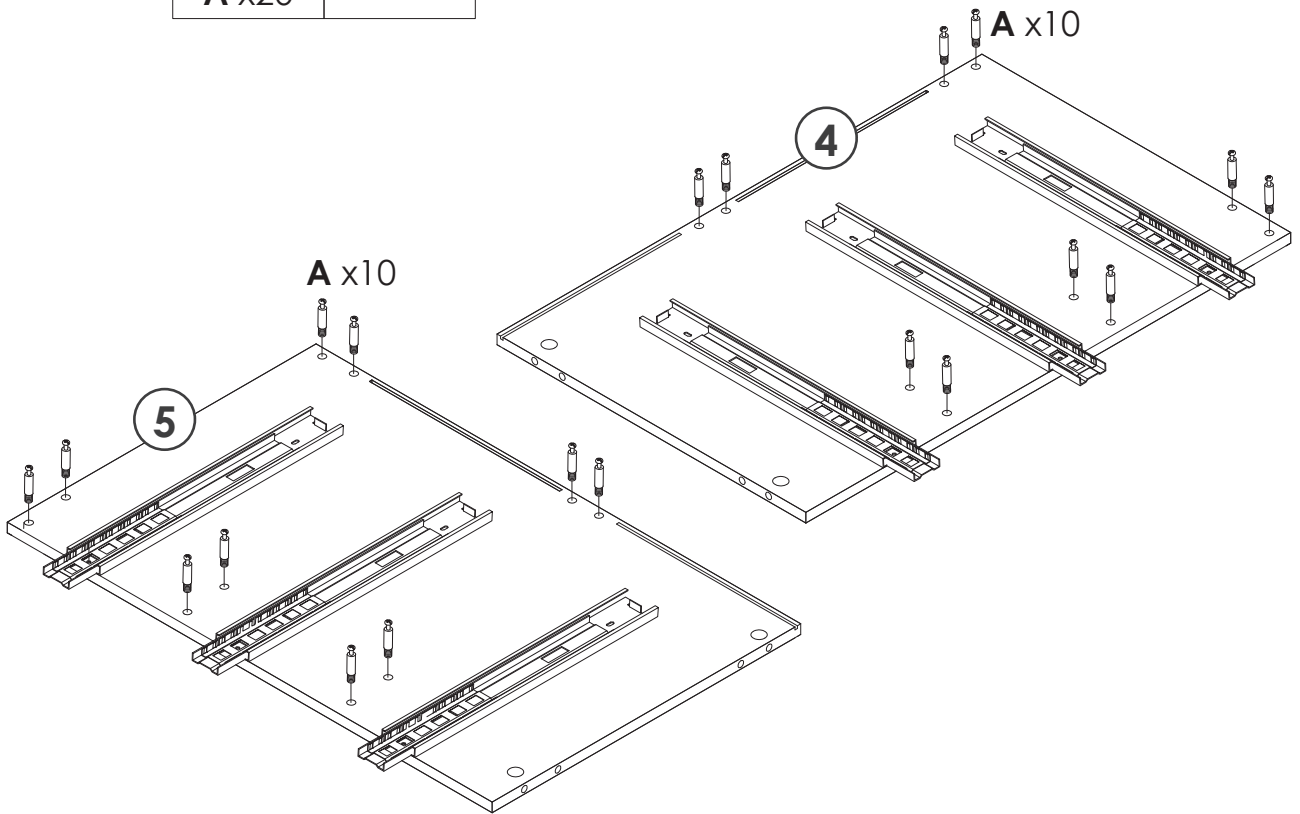
F1 x6



3

YOU WILL NEED

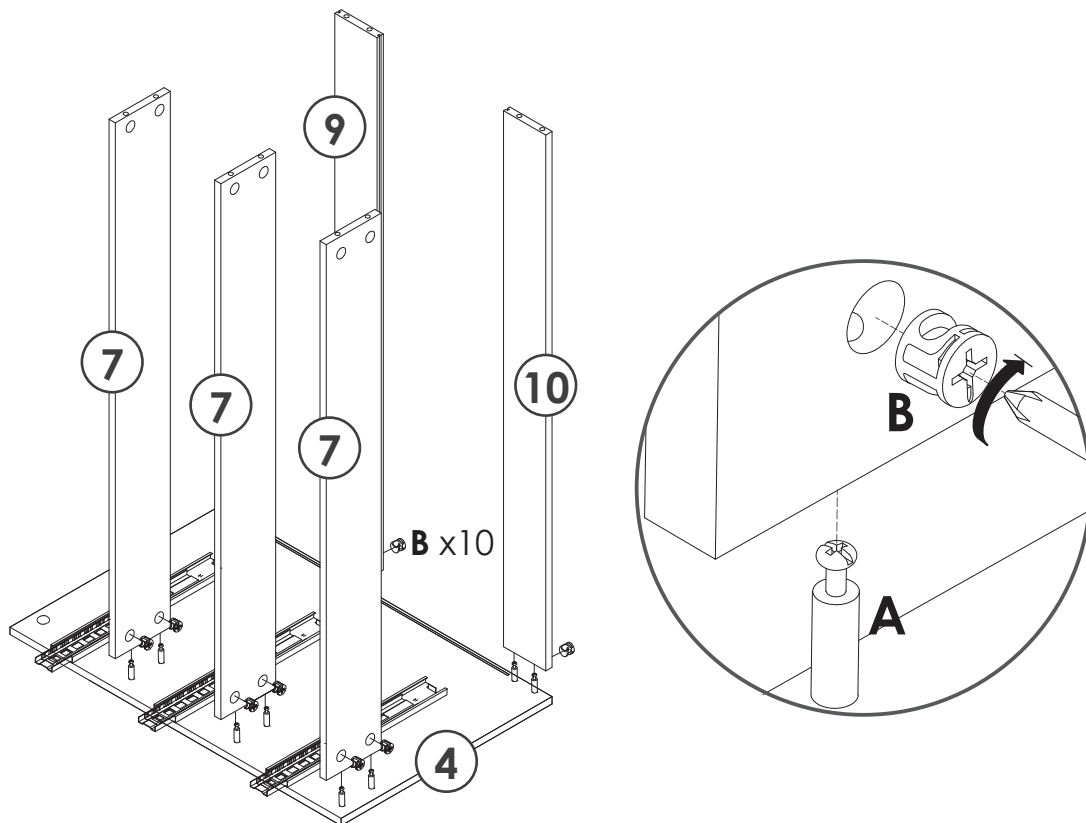
A x20



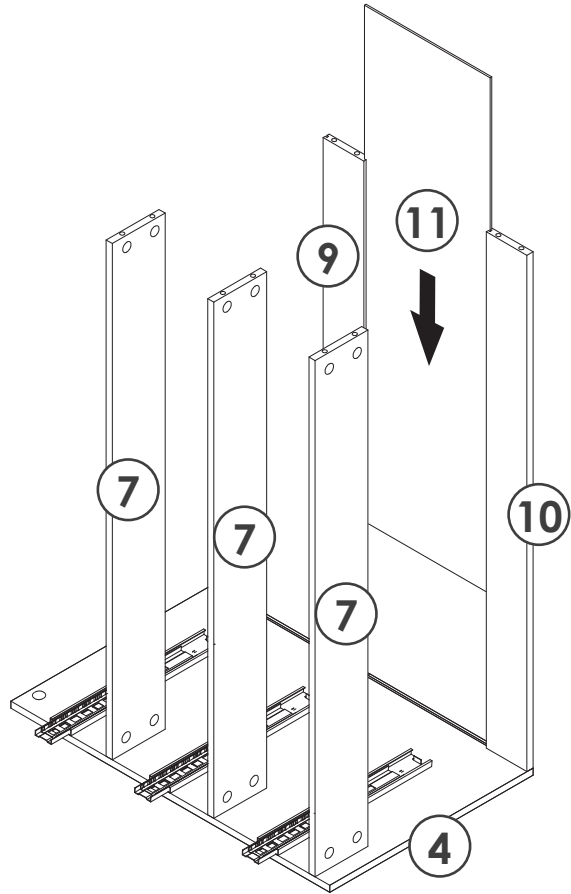
4

YOU WILL NEED

B x10



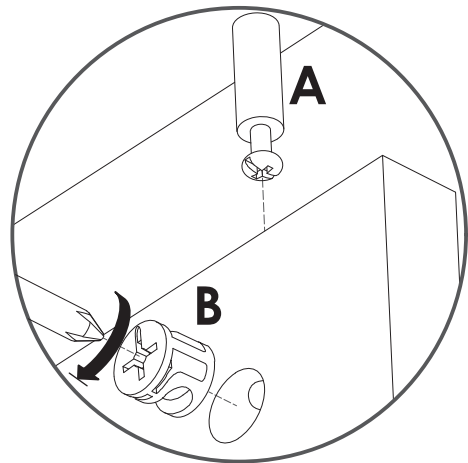
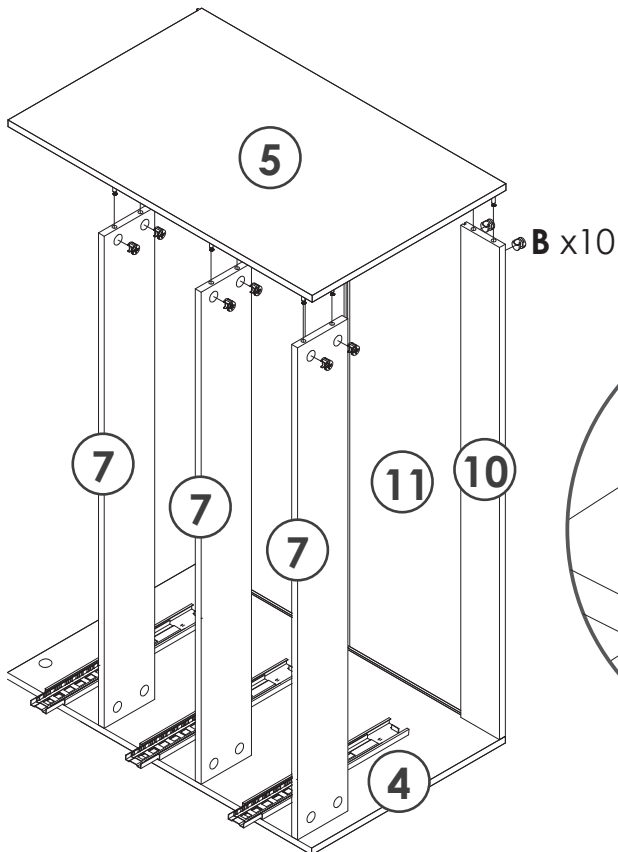
5



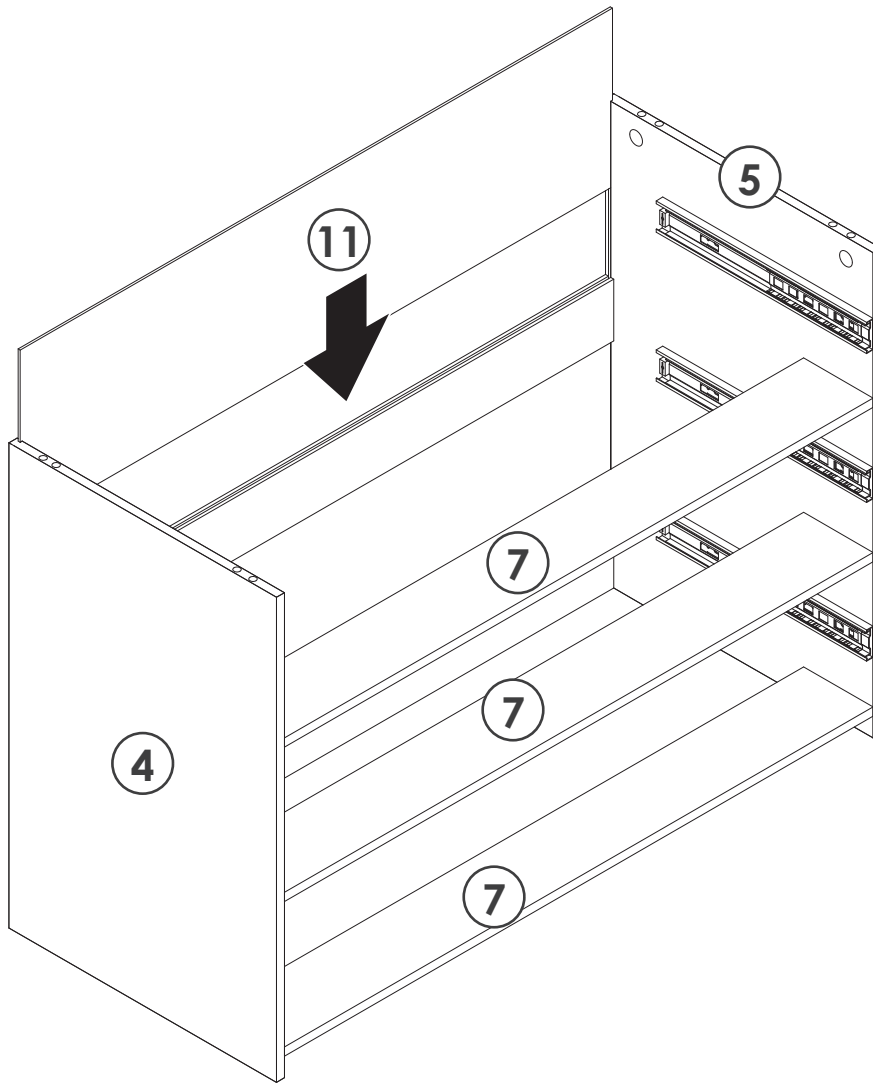
6

YOU WILL NEED

B x10



7

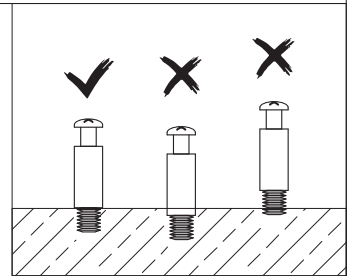
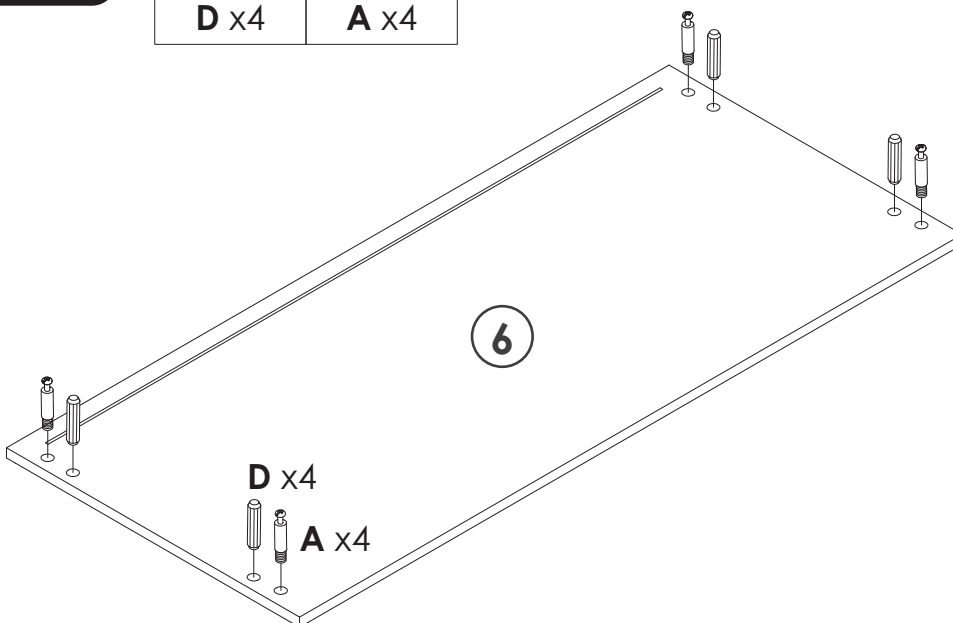


8

YOU WILL NEED

D x4

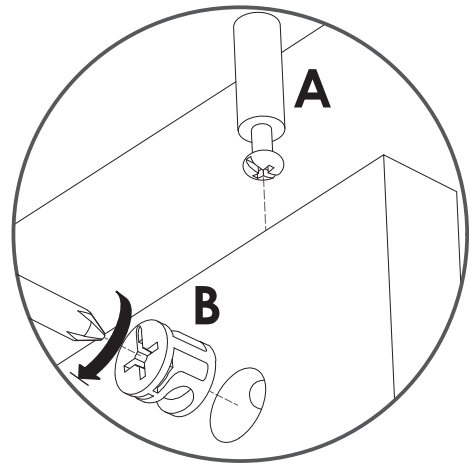
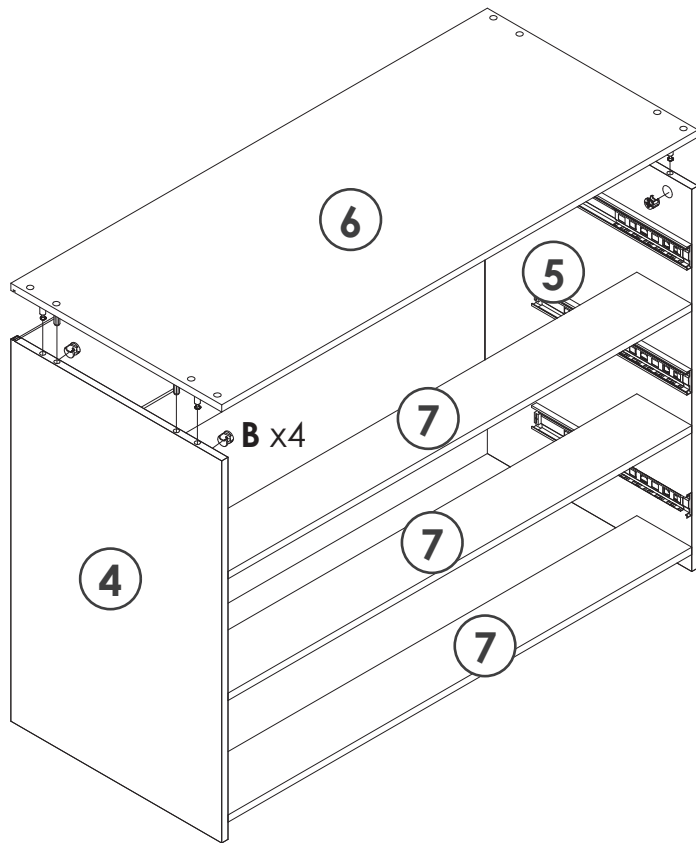
A x4



9

YOU WILL NEED

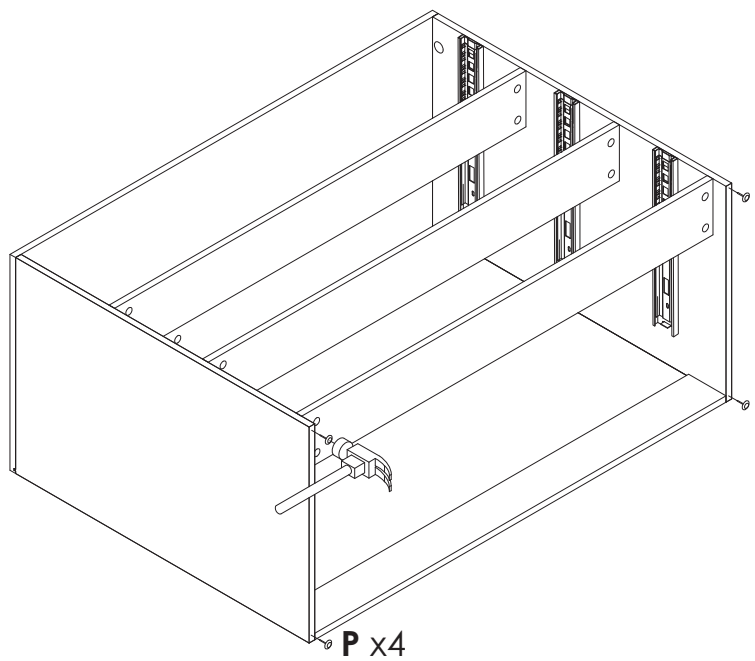
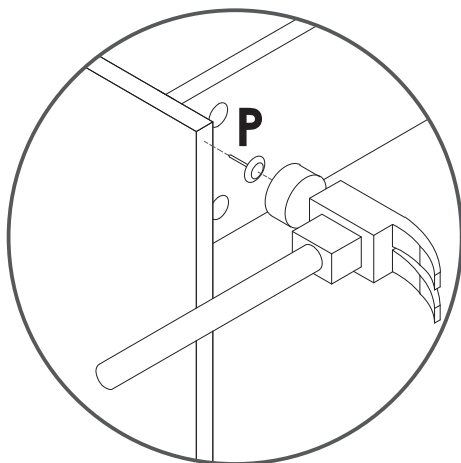
B x4



10

YOU WILL NEED

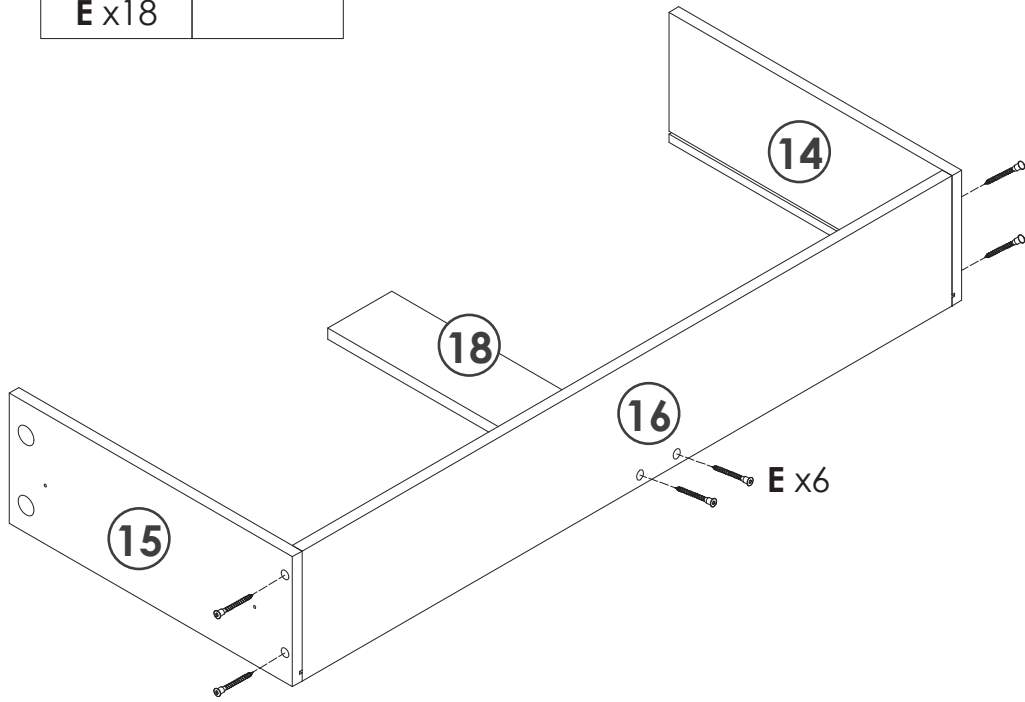
P x4



11

YOU WILL NEED

E x18

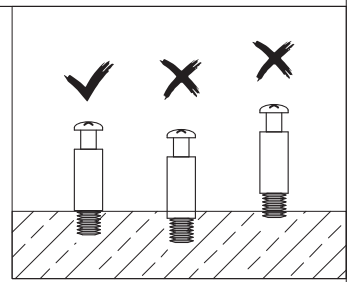
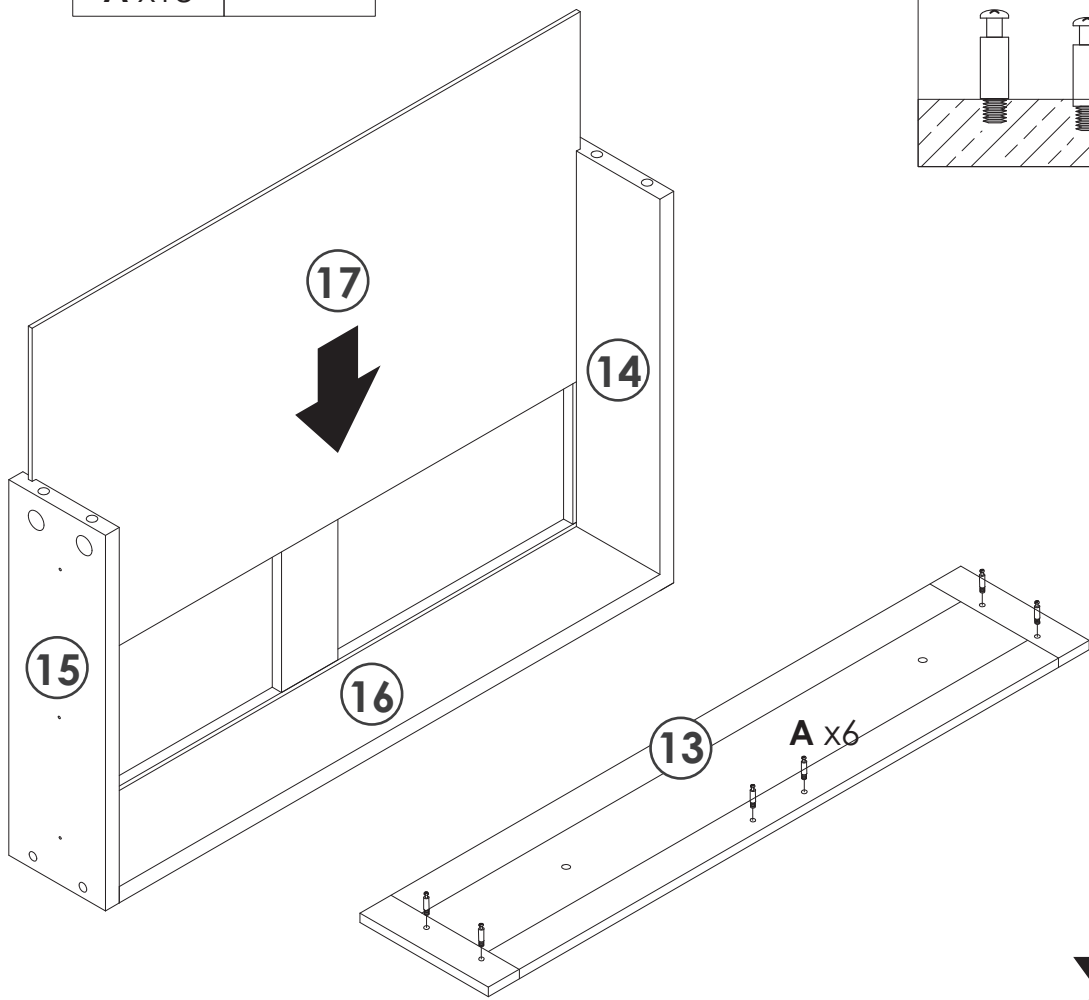


x3

12

YOU WILL NEED

A x18



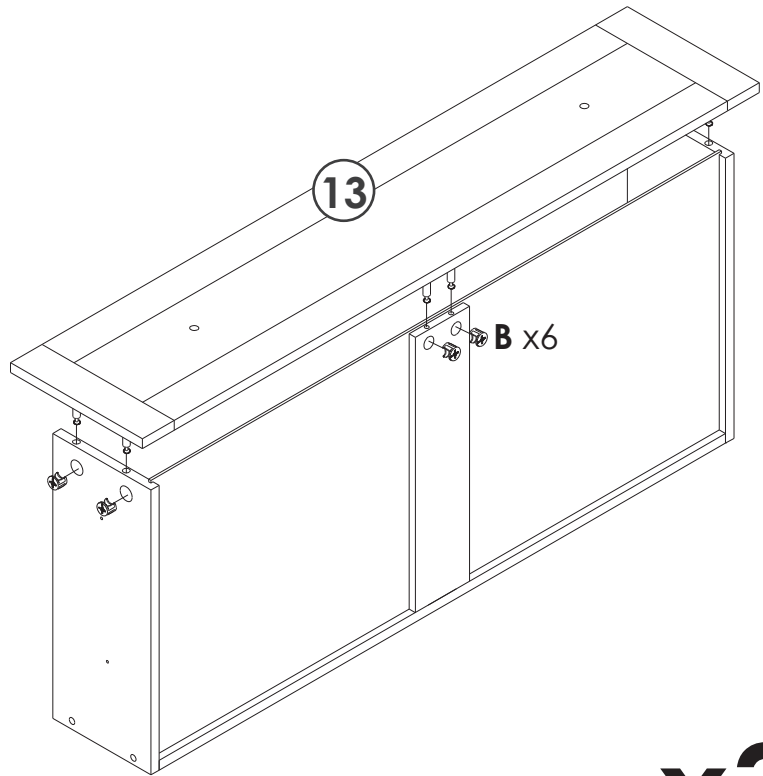
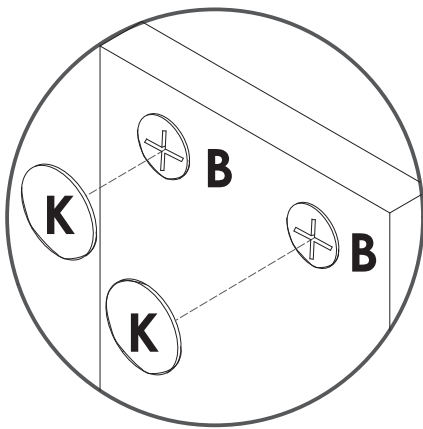
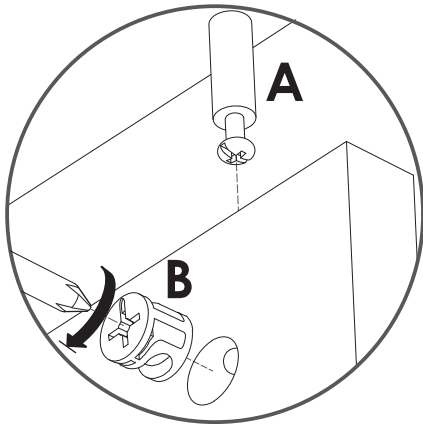
x3

13

YOU WILL NEED

B x18

K x12



x3

14

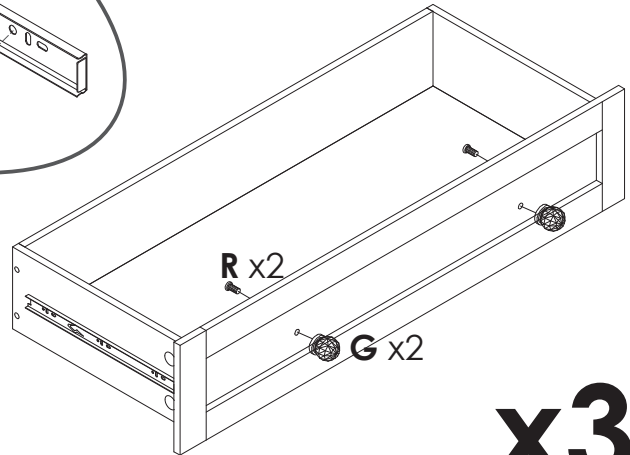
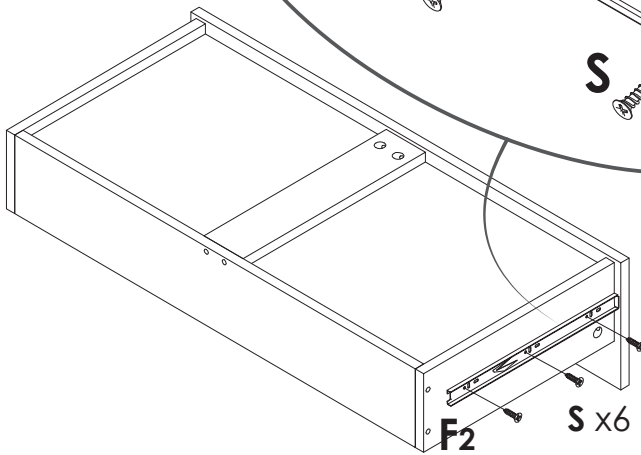
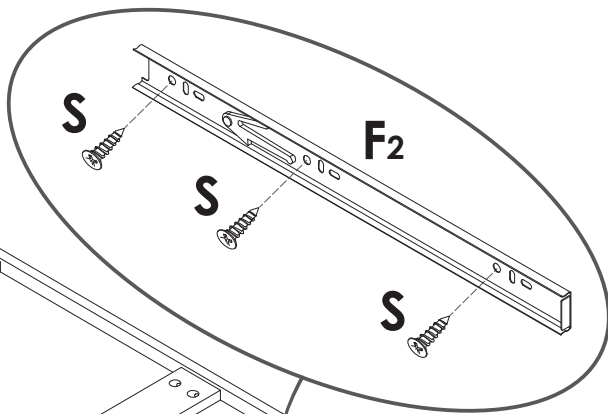
YOU WILL NEED

F₂ x6

S x18

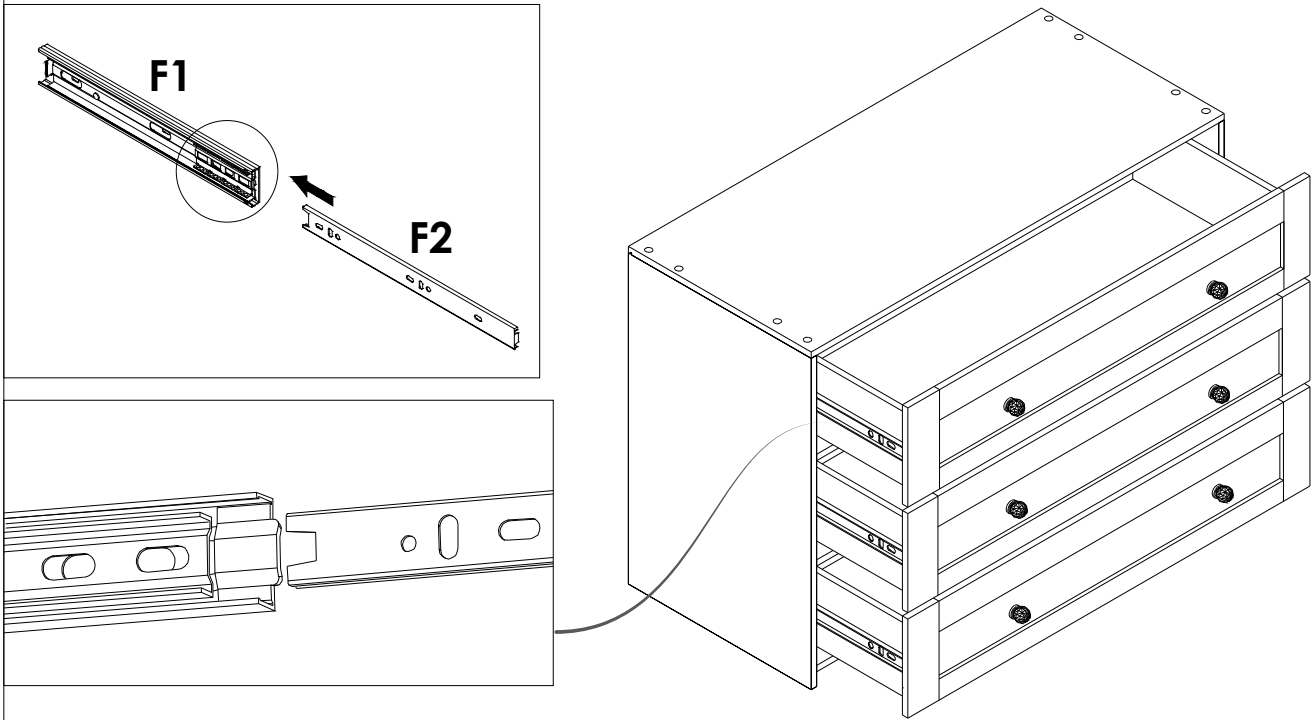
R x6

G x6



x3

15



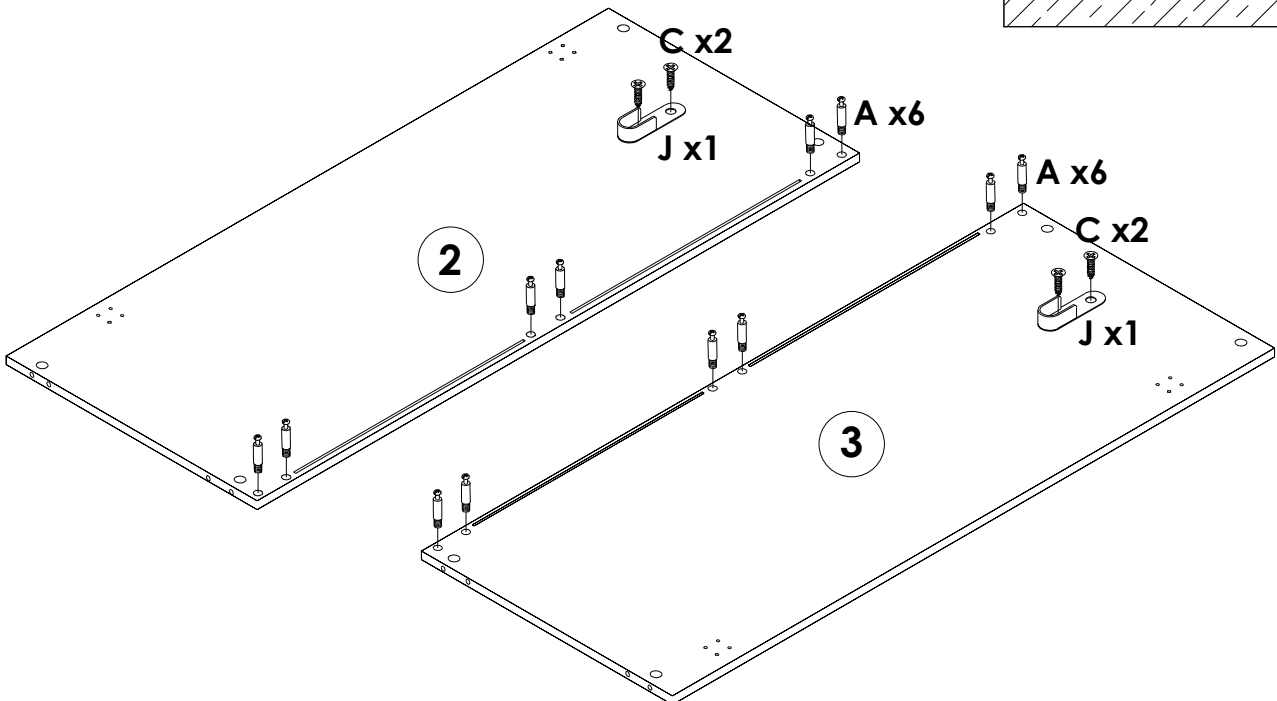
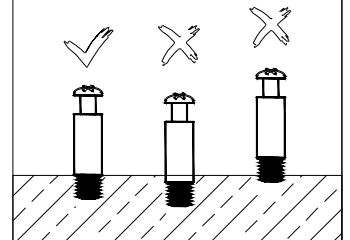
16

YOU WILL NEED

C x4

A x12

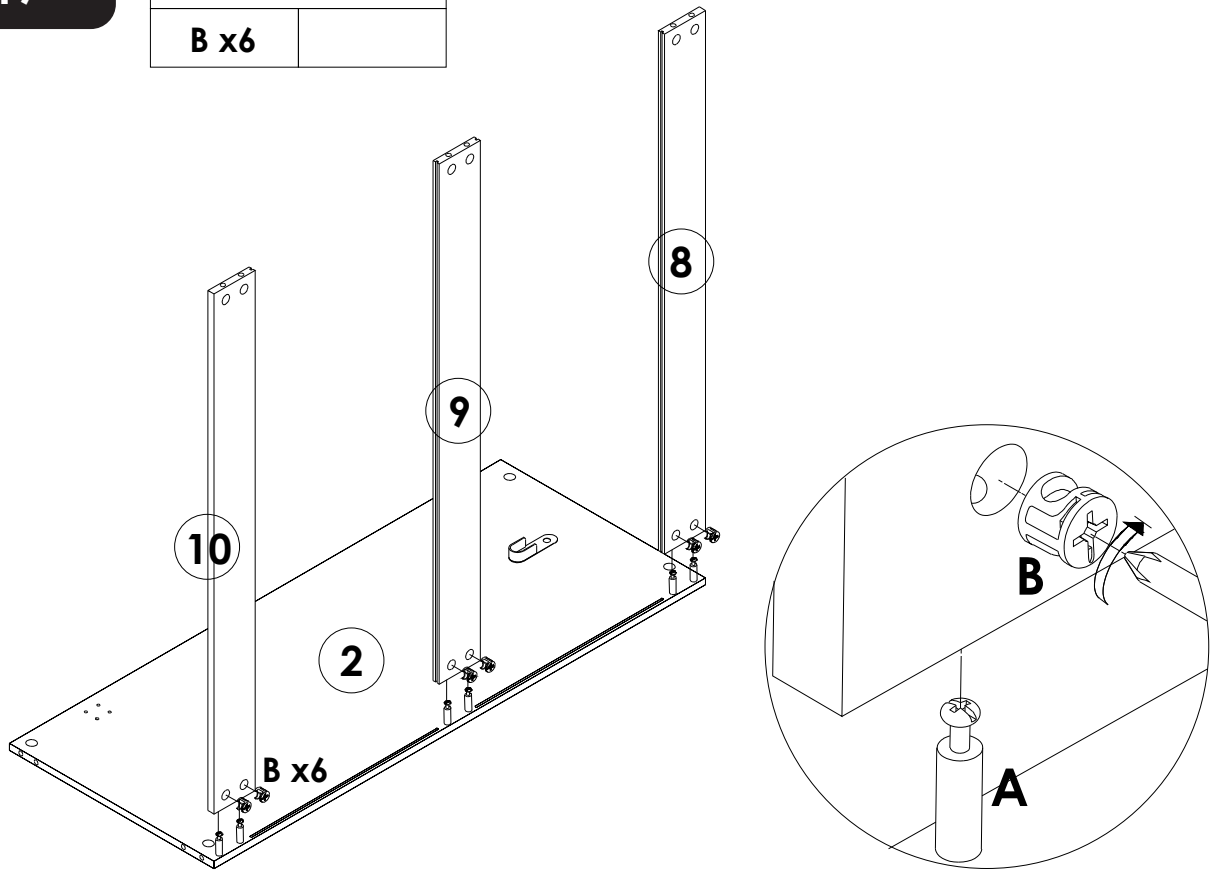
J x2



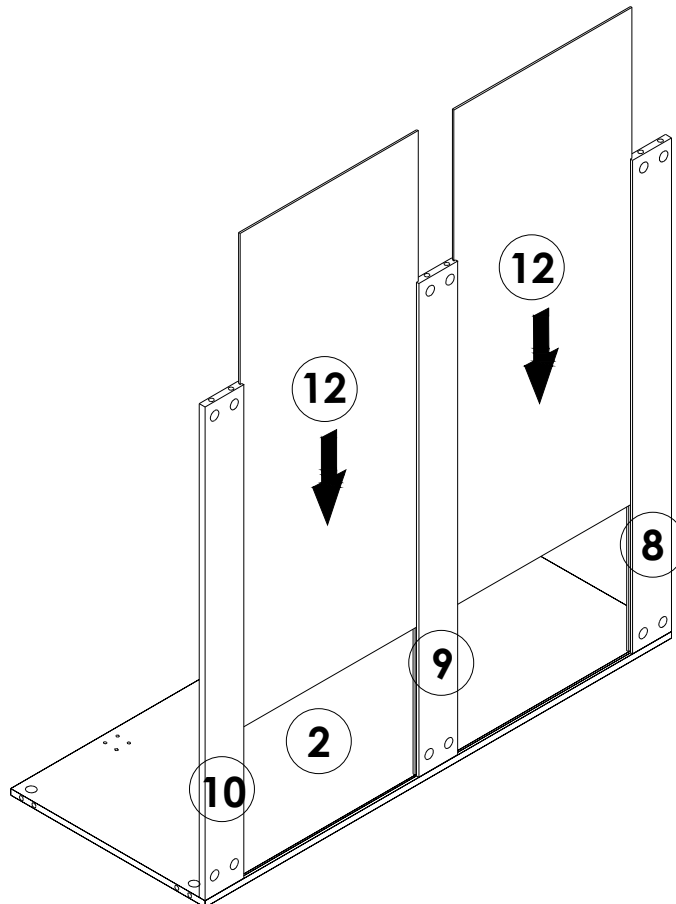
17

YOU WILL NEED

B x6



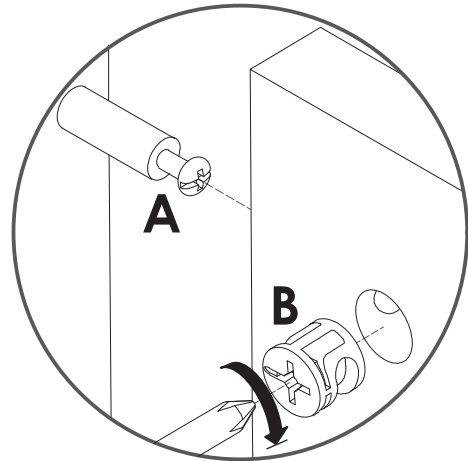
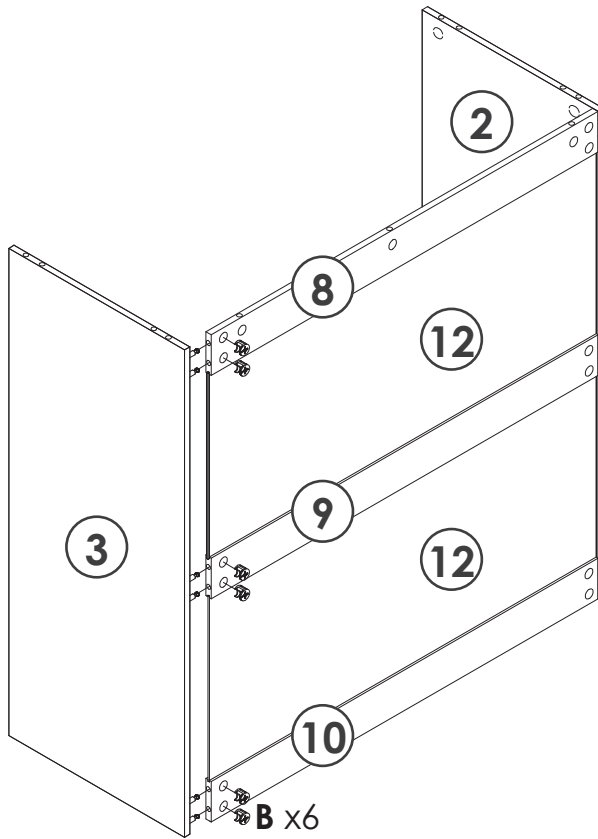
18



19

YOU WILL NEED

B x6



20

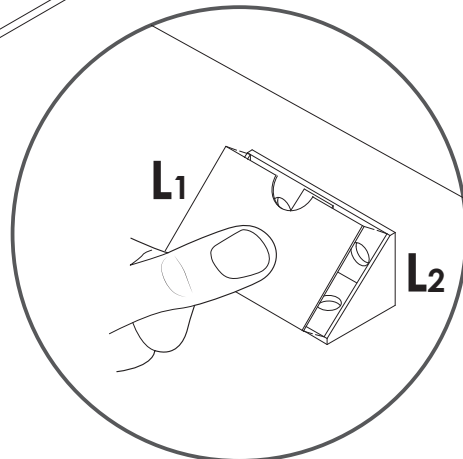
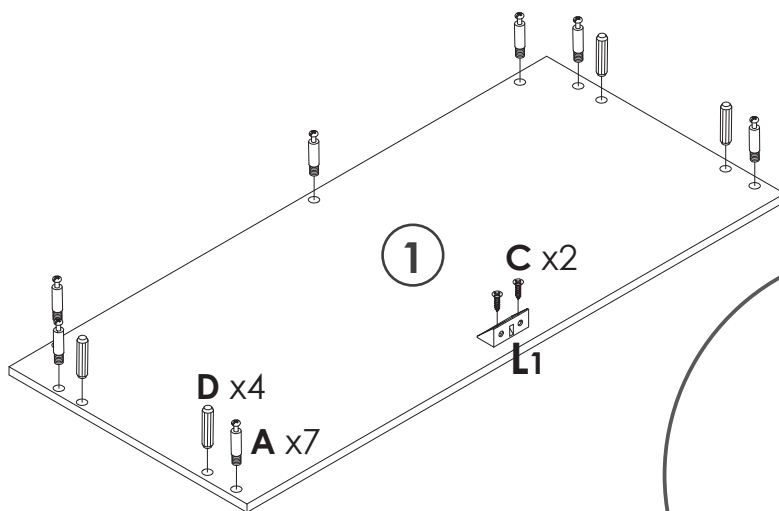
YOU WILL NEED

C x2

D x4

A x7

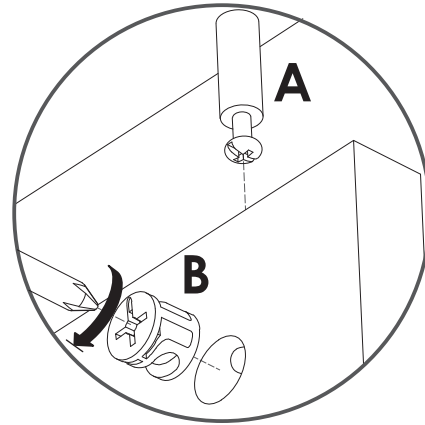
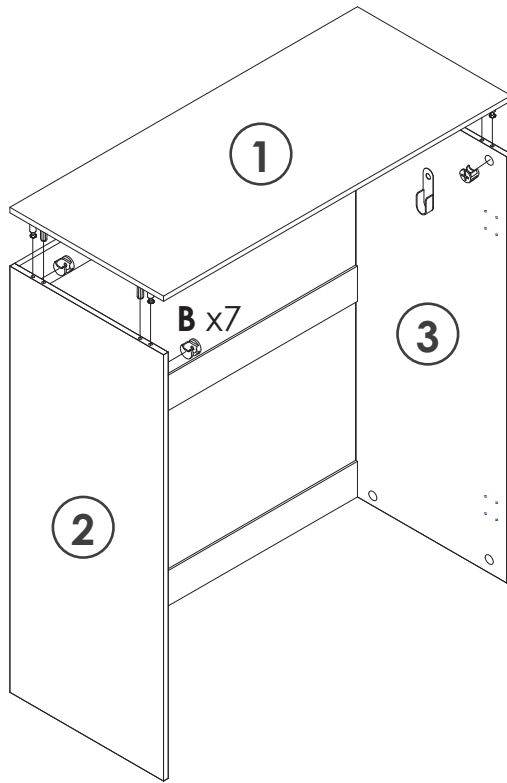
L x1



21

YOU WILL NEED

B x7

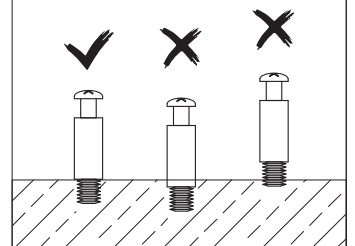
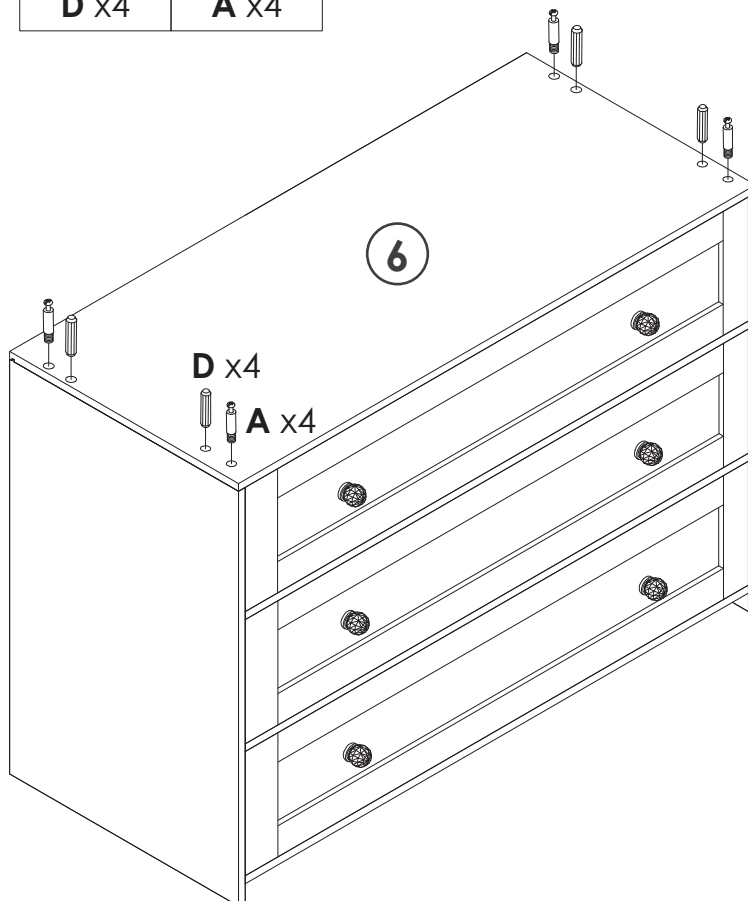


22

YOU WILL NEED

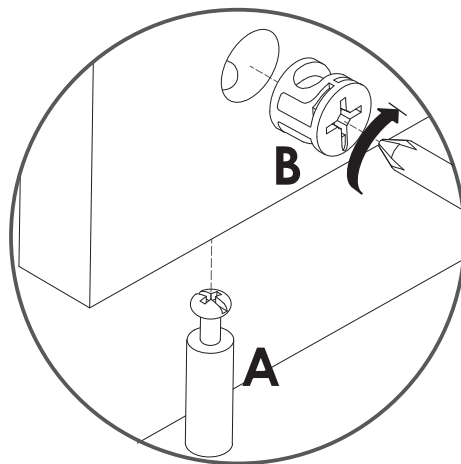
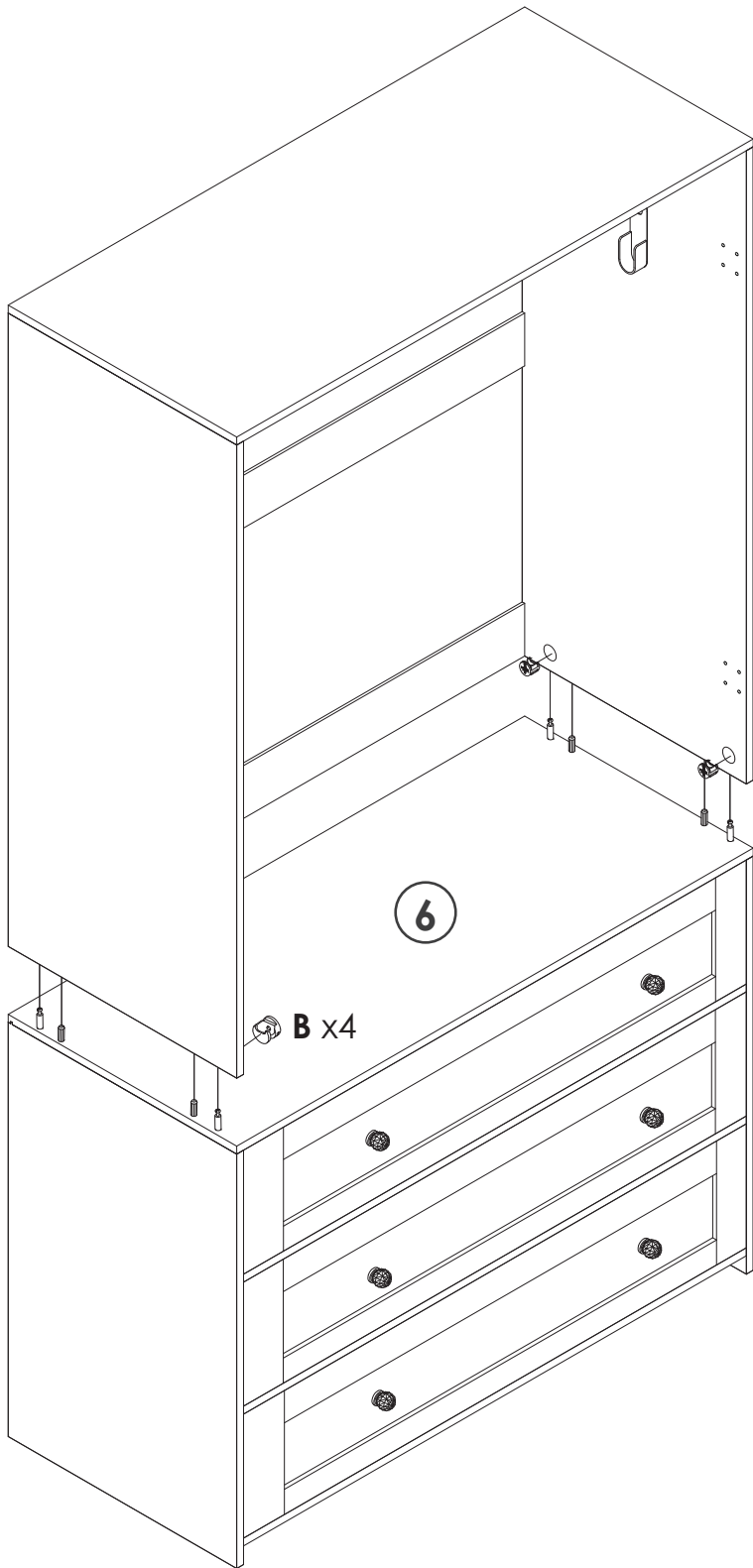
D x4

A x4



YOU WILL NEED

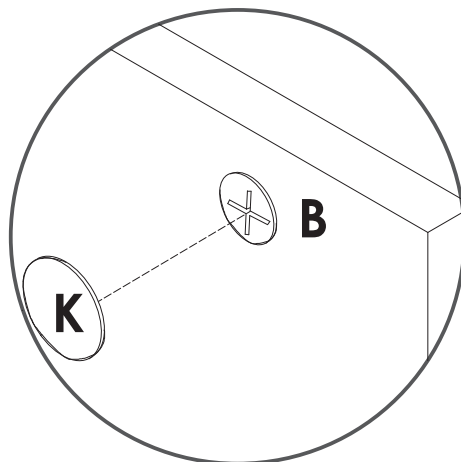
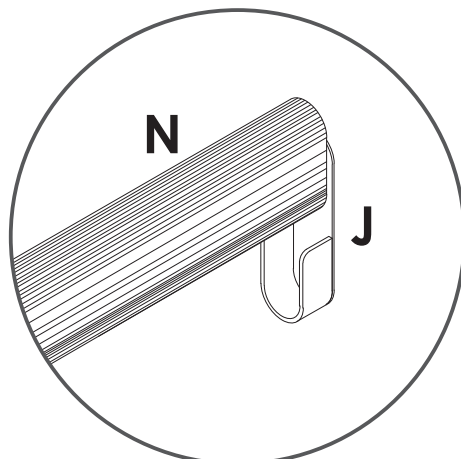
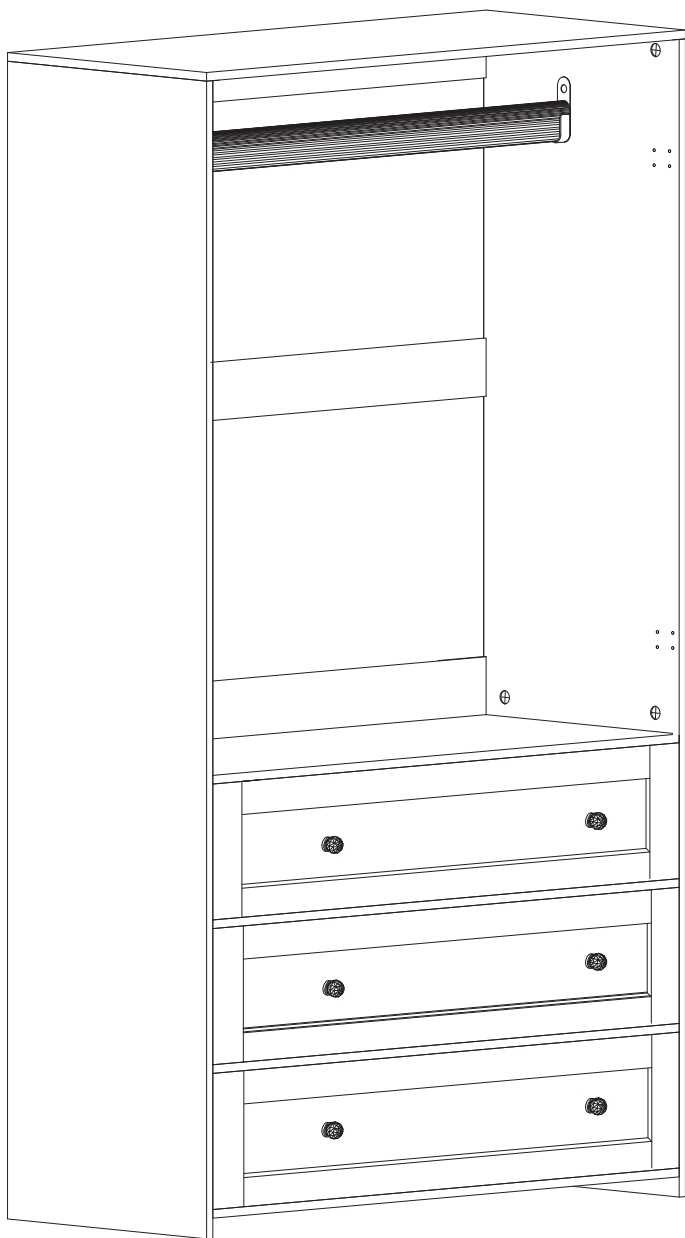
B x4



YOU WILL NEED

K x12

N x1



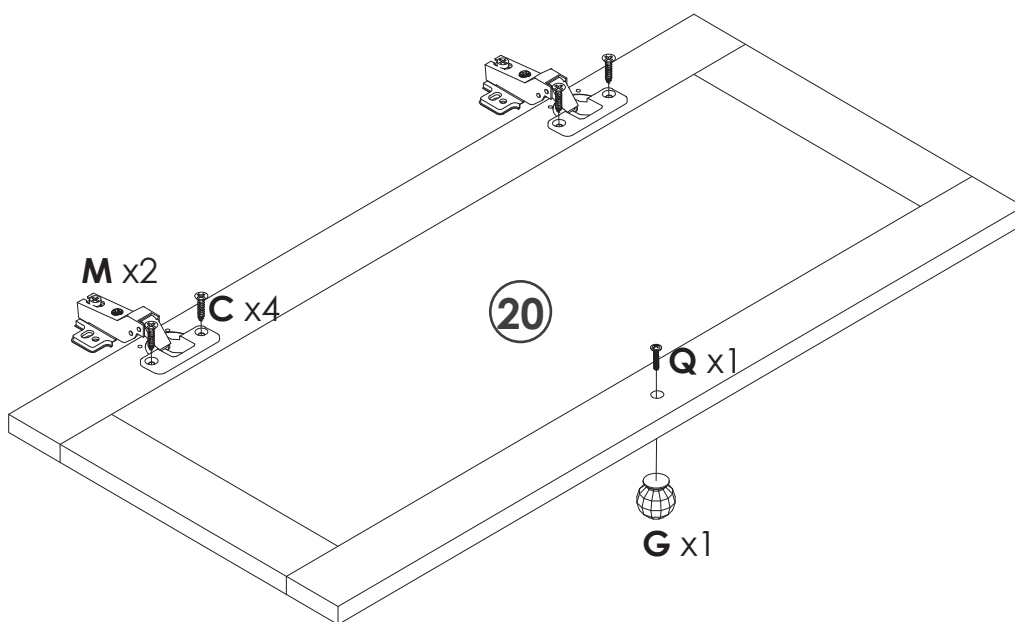
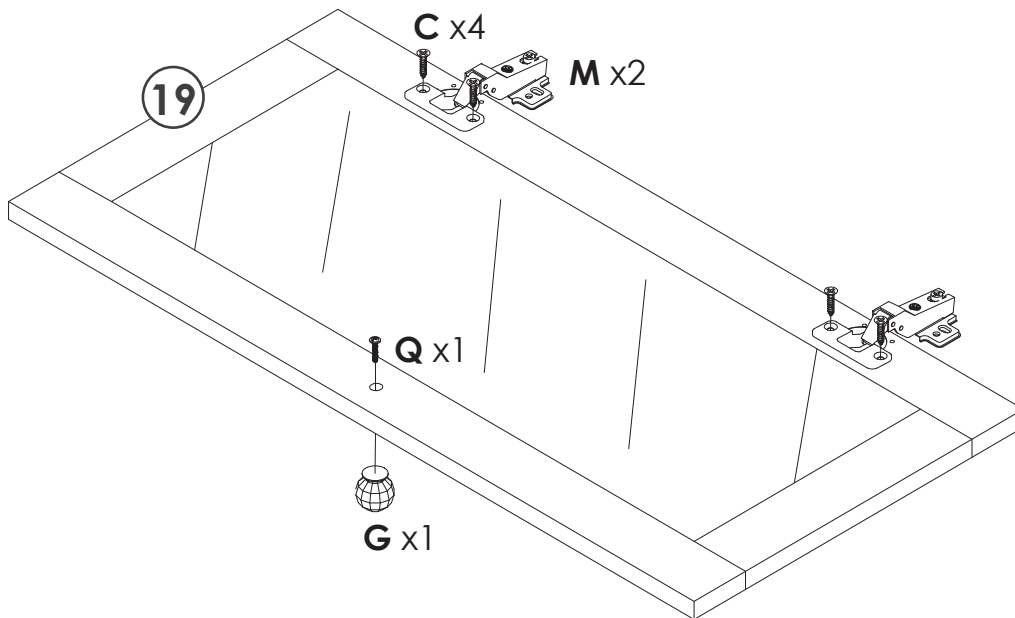
YOU WILL NEED

Q x2

G x2

C x8

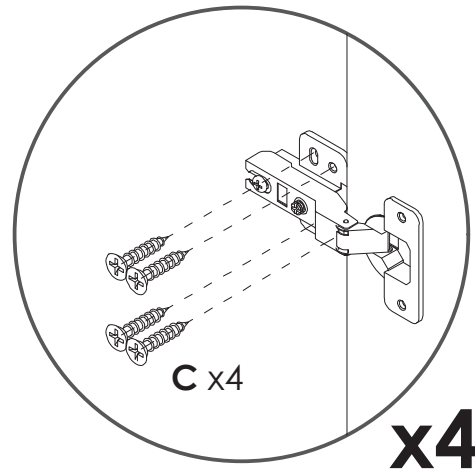
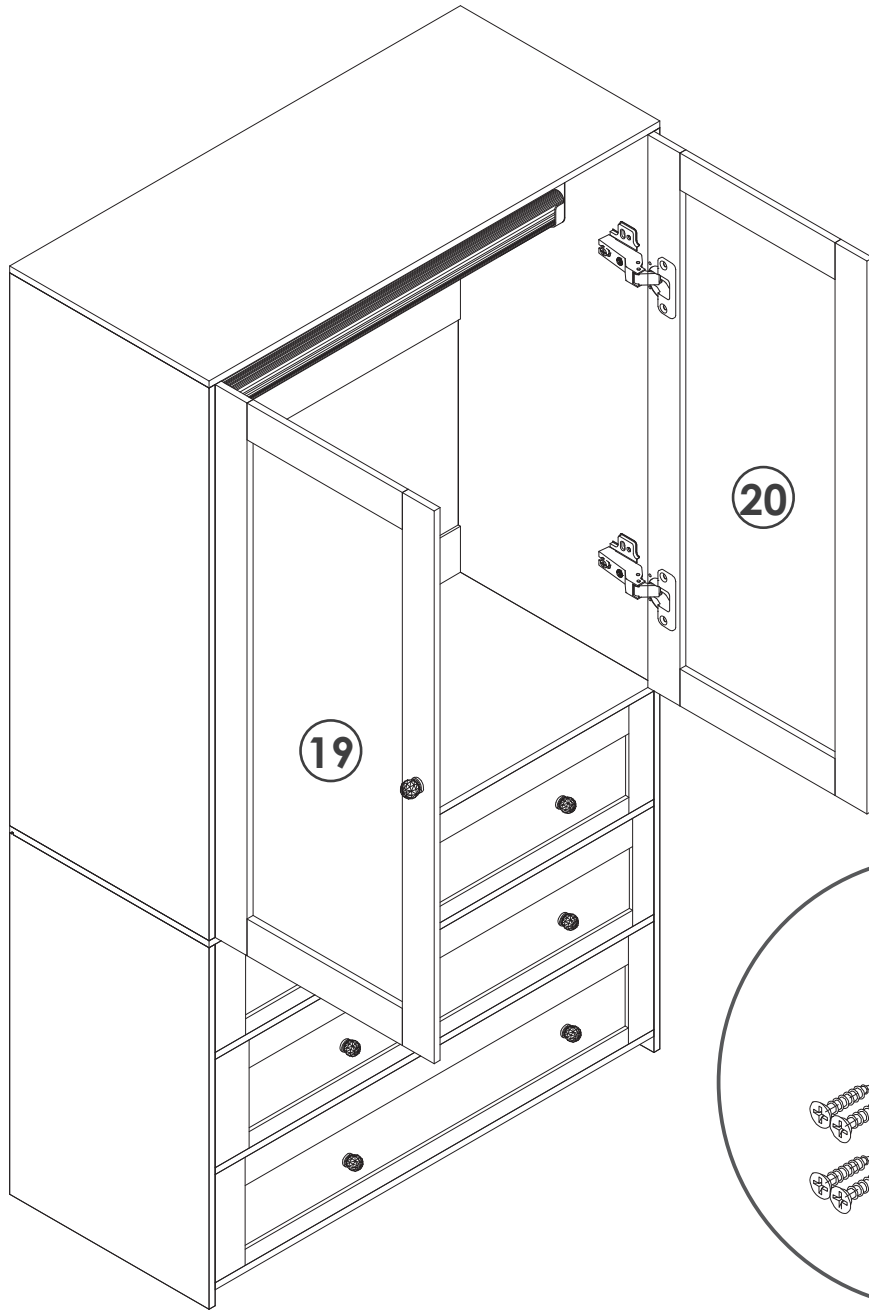
M x4



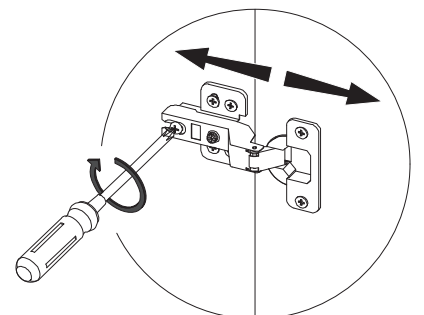
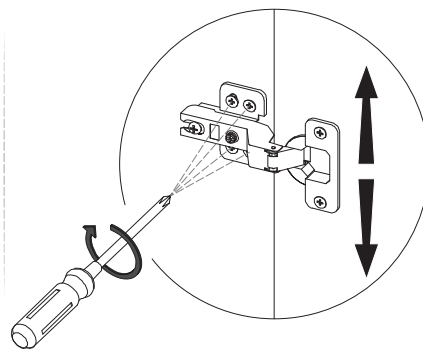
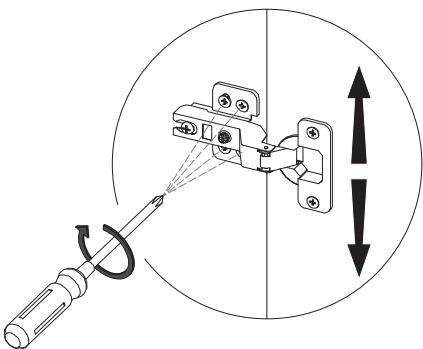
26

YOU WILL NEED

C x16

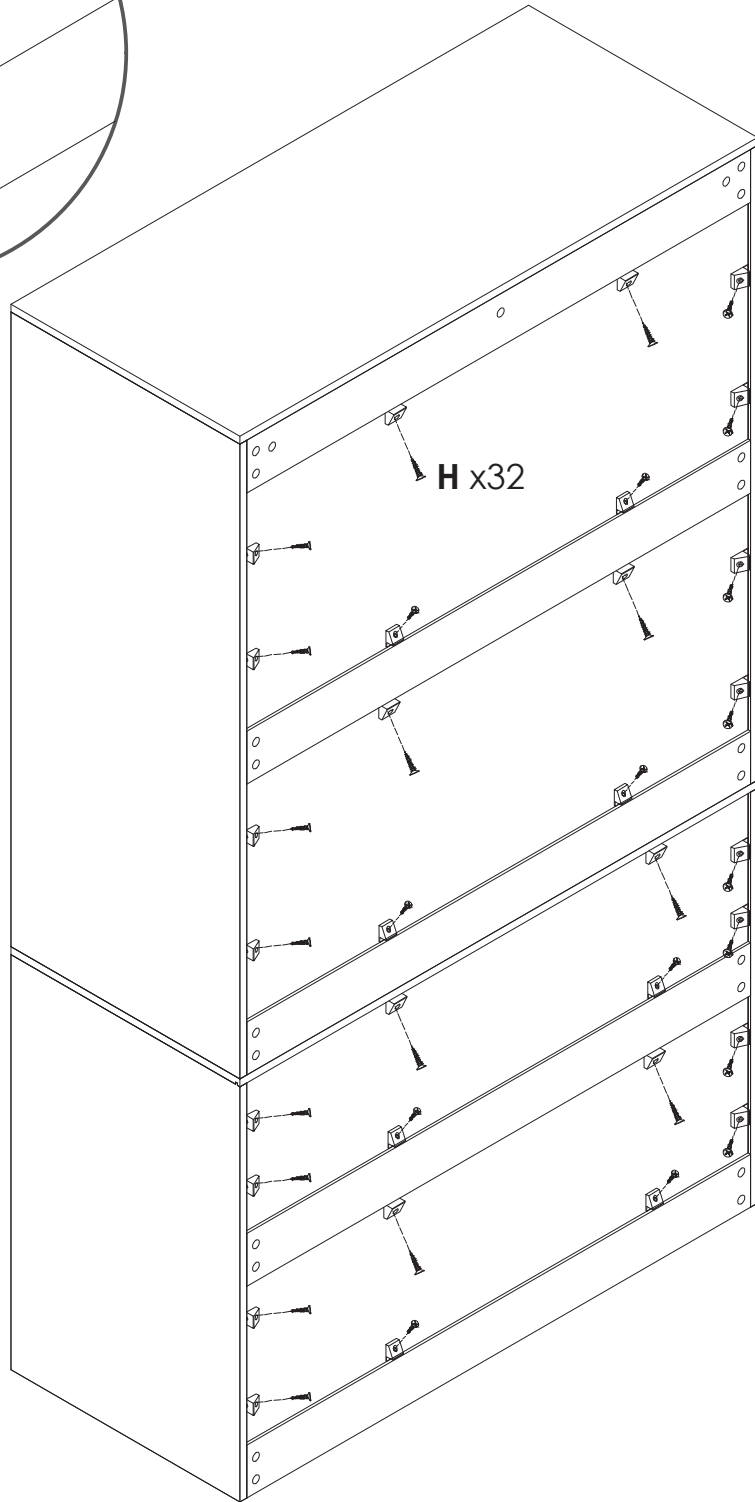
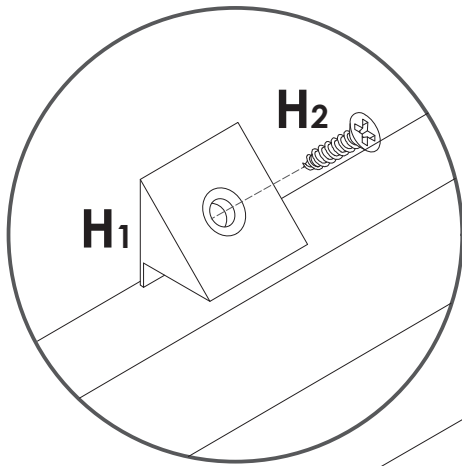


x4



YOU WILL NEED

H x32



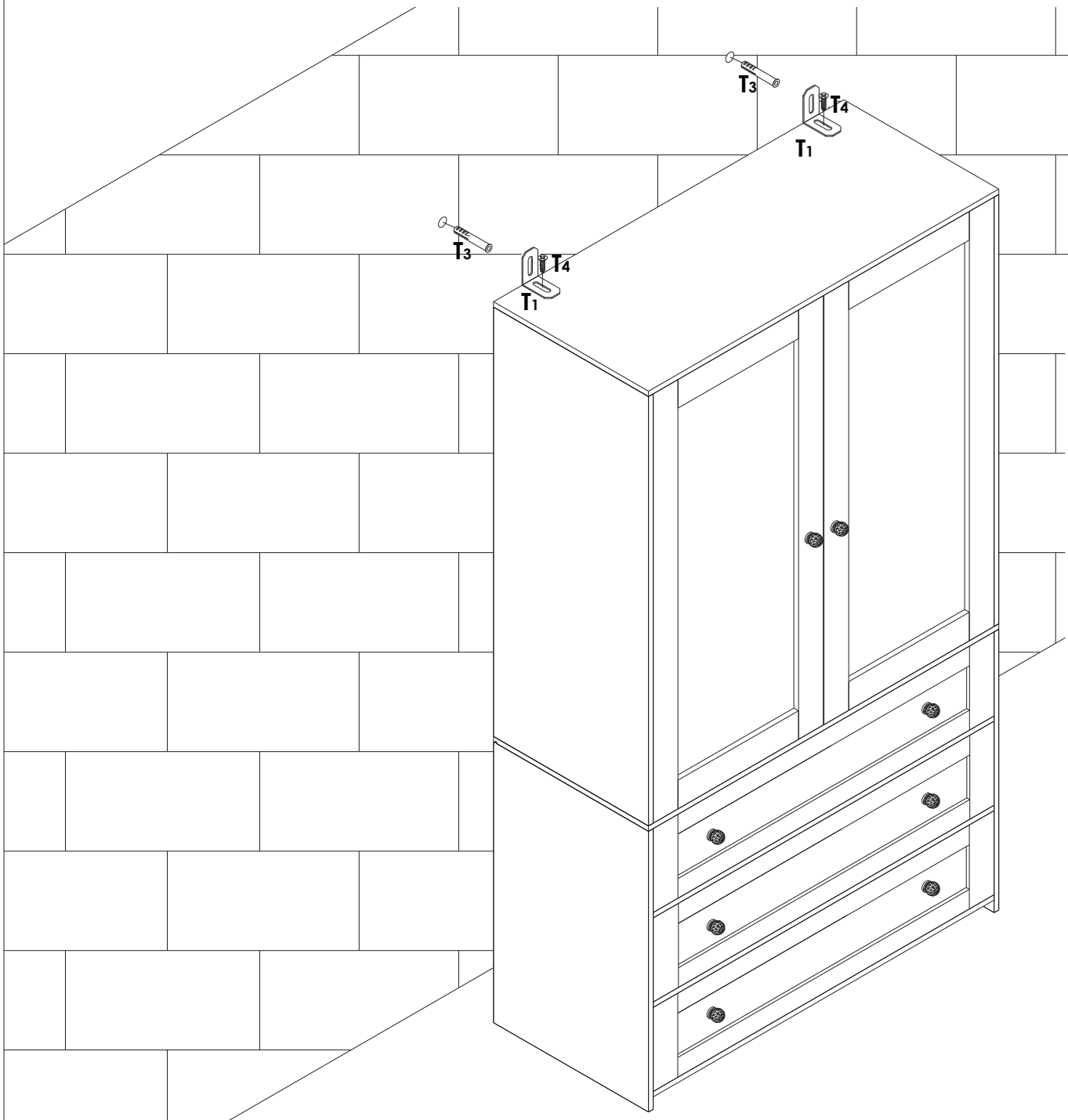
YOU WILL NEED

T x2

MANDATORY!

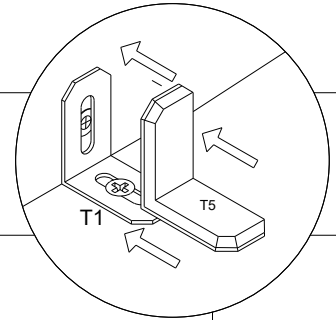
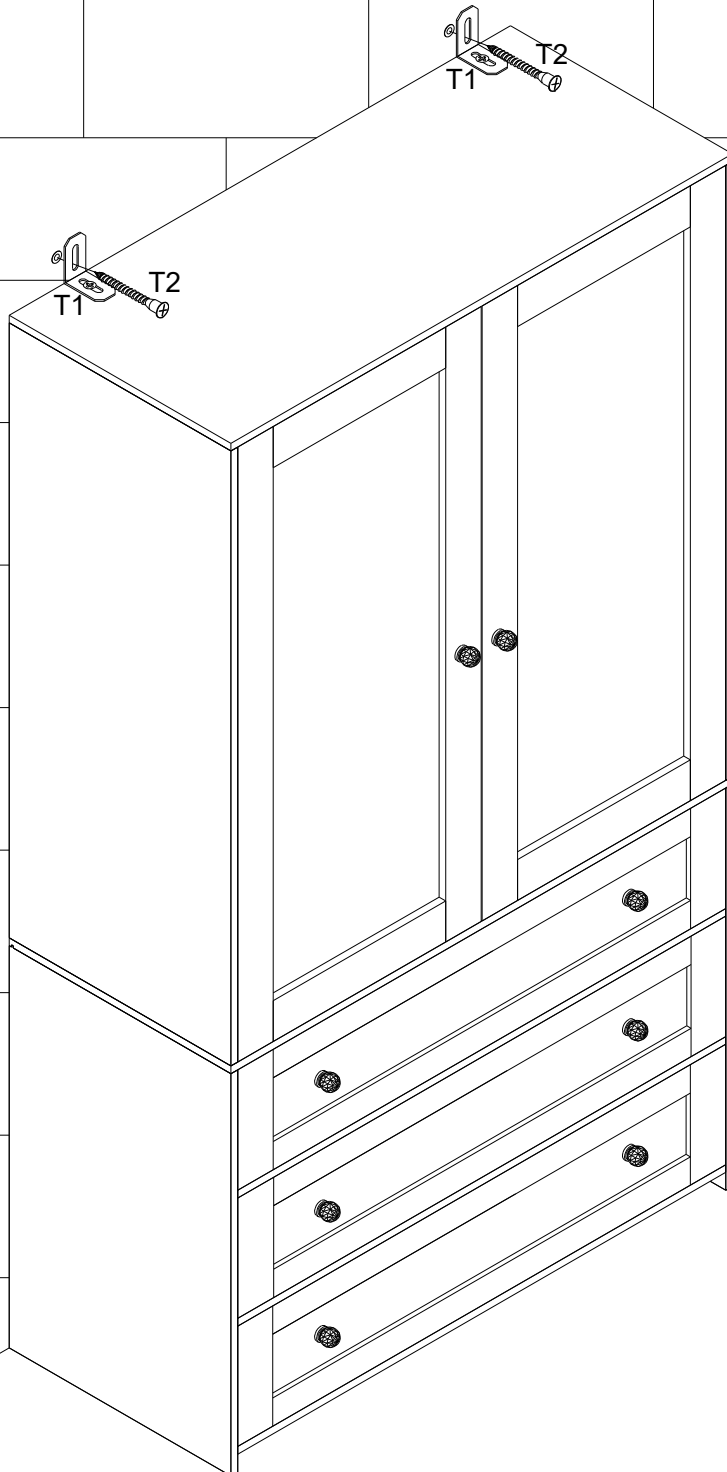
For safety reasons, we recommend you follow these instructions to install the anti-tipping hardware, when installed properly, this hardware may prevent the unit from tipping unexpectedly.

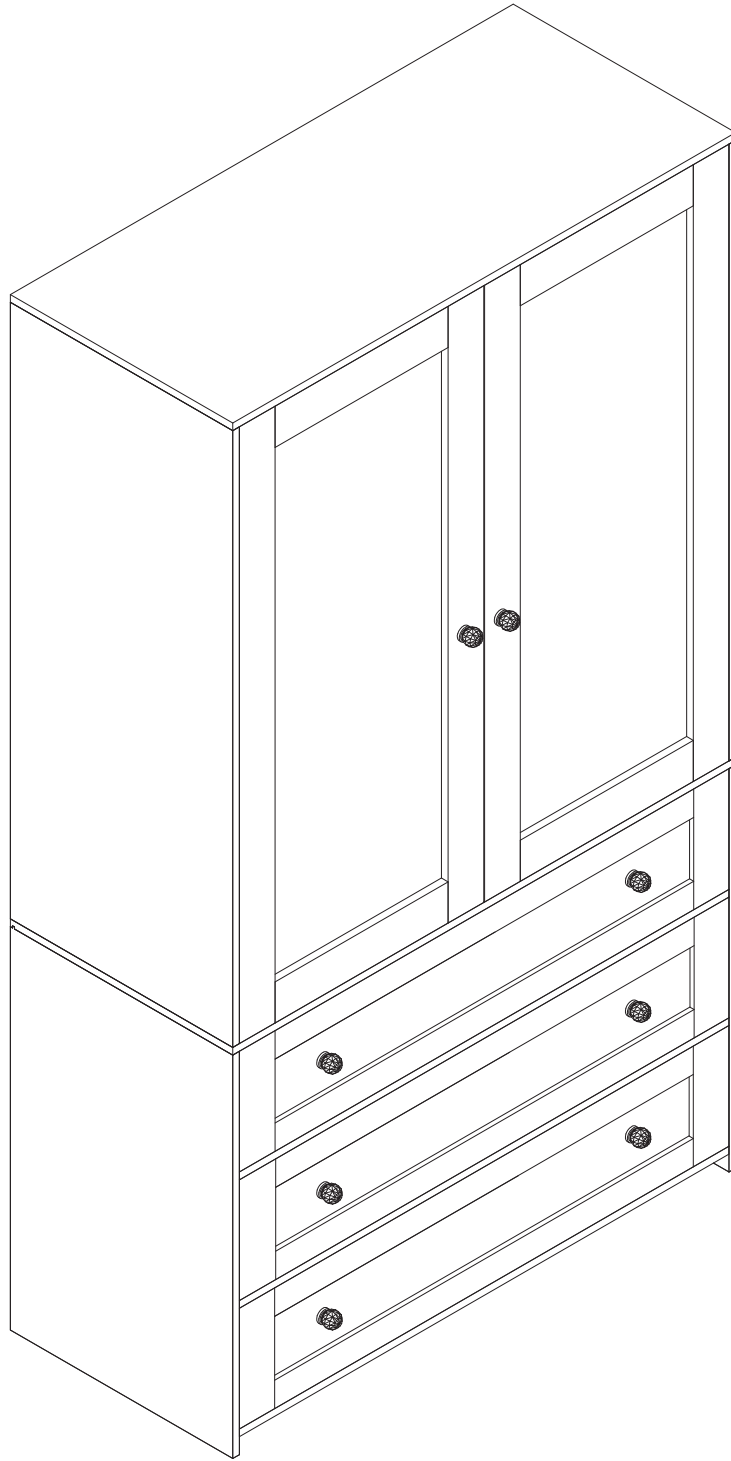
-WARNING -Serious injury can occur if furniture tips over. Place heavy items on lower shelved and as far back as possible.



YOU WILL NEED

T x2





WARRANTY

We provide an **18-month** warranty on the product starting from the date of the original purchase. If the product has any manufacturing defect, please contact us through email with details about the problem. We will send you further information about the return or exchange.