





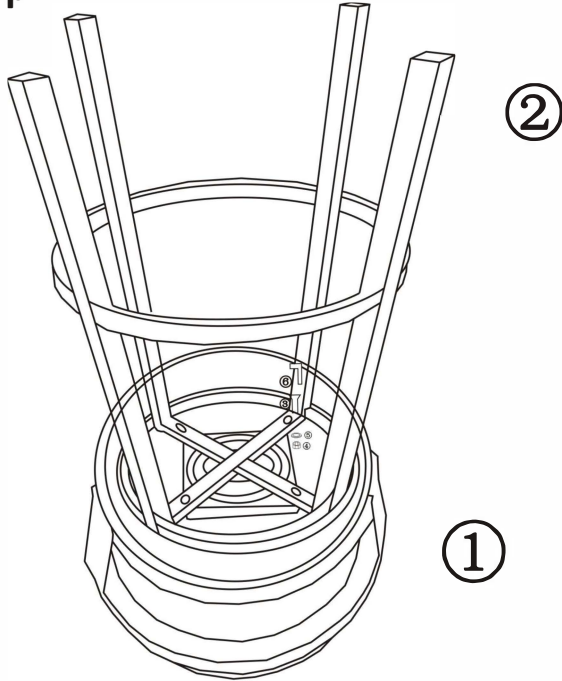


| | Installing | | Accessories | | | Tool | | |
|------------|---|---|--|---|--|---|-------------|-----------|
| | ① | ② | ③ | ④ | ⑤ | ⑥ | | |
| |  |  | SCREW  | NUT  | GASKET  | ALLEN KEY  | | |
| | SEAT | FRAME | Size | M6*25 | M6 | Φ16*2*Φ8 | Size | Φ4 |
| Pcs | 1 | 1 | | 4 | 4 | 4 | | 1 |

Step1



Step2

