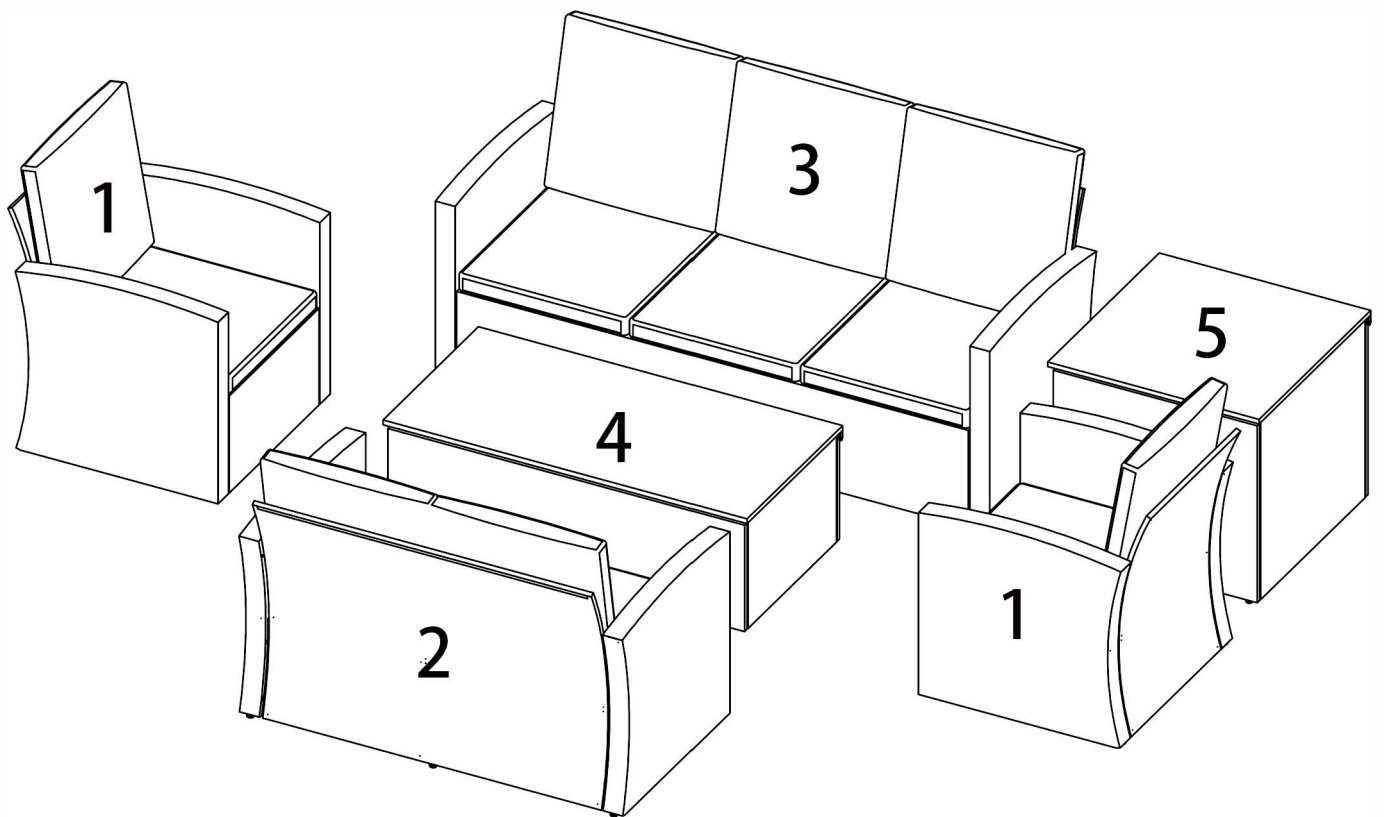


# Assembly Instructions



1	Armchair
2	Loveseat
3	3 Seat Sofa
4	Coffee Table
5	Side Table

# Pre-assembly

## Safety information

- Two or more people are required for this assembly.
- Some parts may contain sharp edges. Wear protective gloves.
- When assembling and using this product, basic safety precautions should always be followed to reduce the risk of personal injury and damage to equipment. Please read all instructions before assembly and usage.



**WARNING:** Keep all children and pets away from assembly area. Children and pets should be supervised when they are in the area of the sofa set construction. Keep assembly area at least 6 feet from any obstruction such as fence, garage, house, overhanging branches, laundry line or electrical wires. Check all bolts for tightness before use. IMPORTANT- check and tighten bolts often to keep them secure!



**CAUTION:** Sofa is for seating purpose only. Standing on or misuse of the sofa may result in damage or injury. Not intended for commercial use. Weight limited for each seat: 250 lbs (113.5kg)

**NOTICE:** For outdoor use only

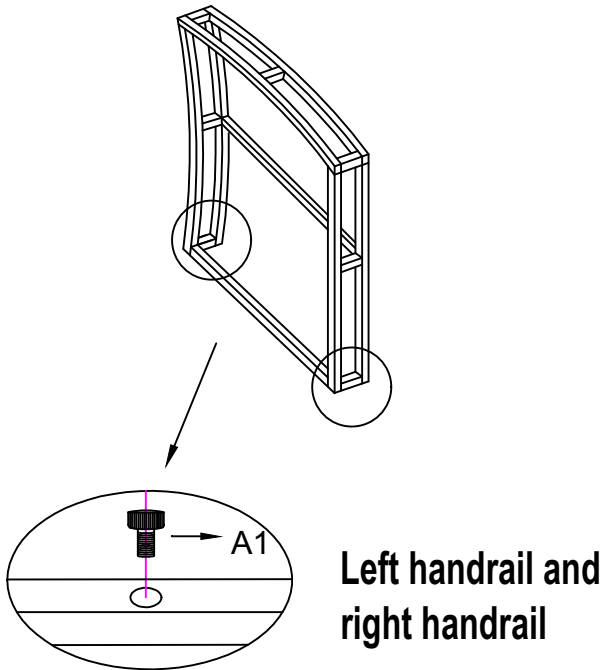
## ACCESSORIES

A		4	F		2	K		1	T		1	Z		8	M		7
B		4	G		1	L		1	U		40	P		9	N		7
C		2	H		1	Q		40	V		1	A1		31			
D		1	I		2	R		16	W		2	A2		1			
E		1	J		2	S		6	X		112	A3		1			

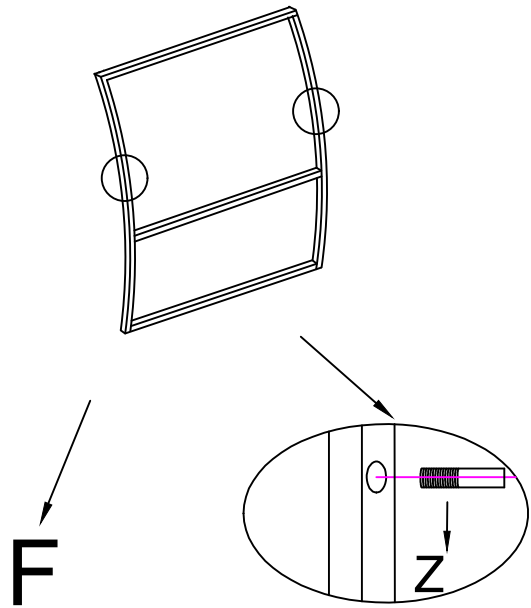
# Assembly Instructions

## Armchair

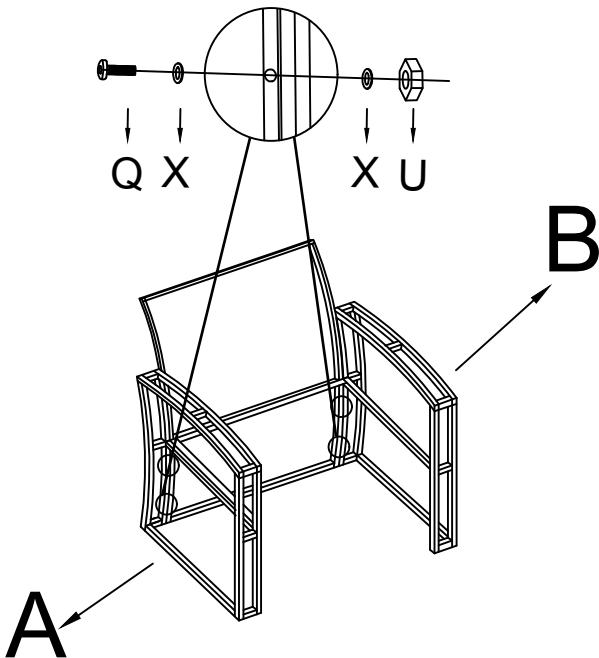
STEP 1



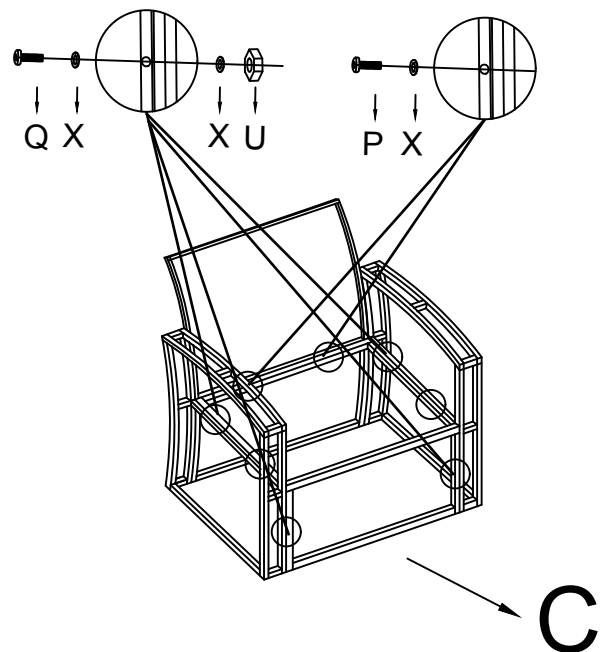
STEP 2



STEP 3



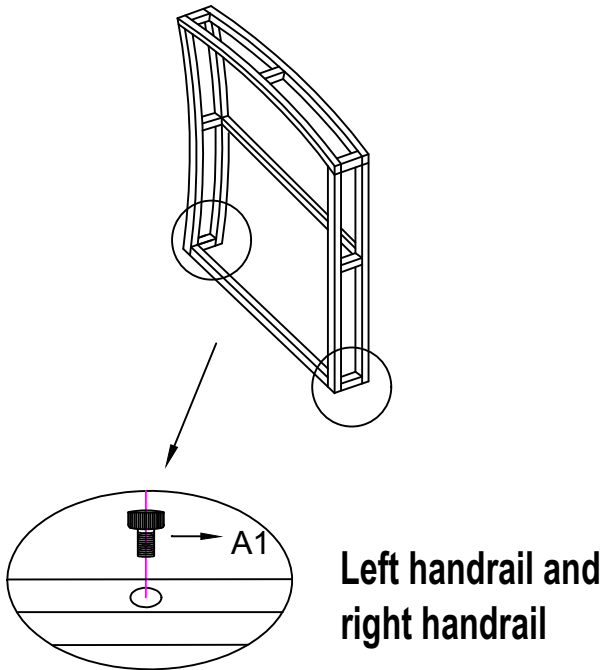
STEP 4



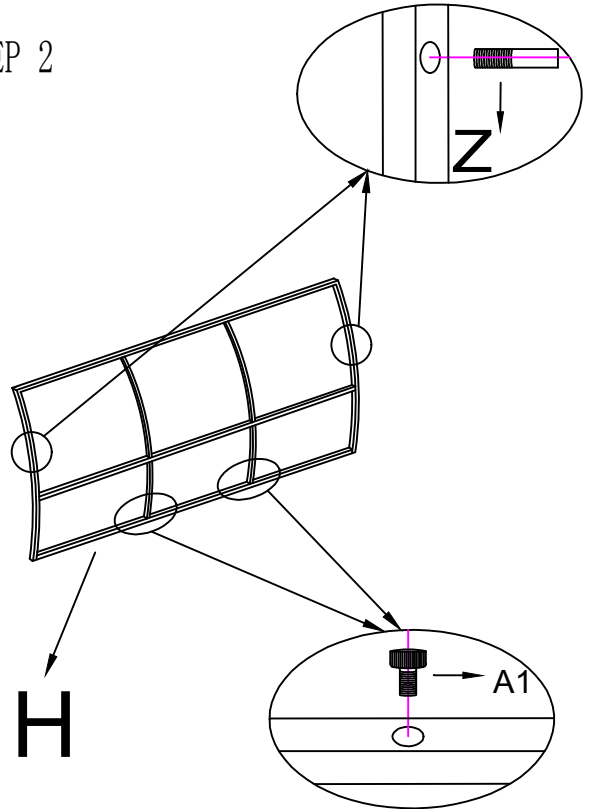
# Assembly Instructions

## Three person sofa

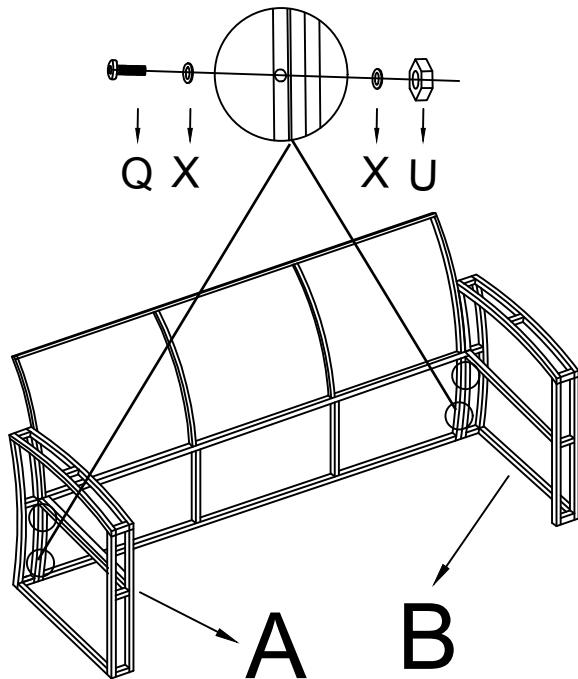
STEP 1



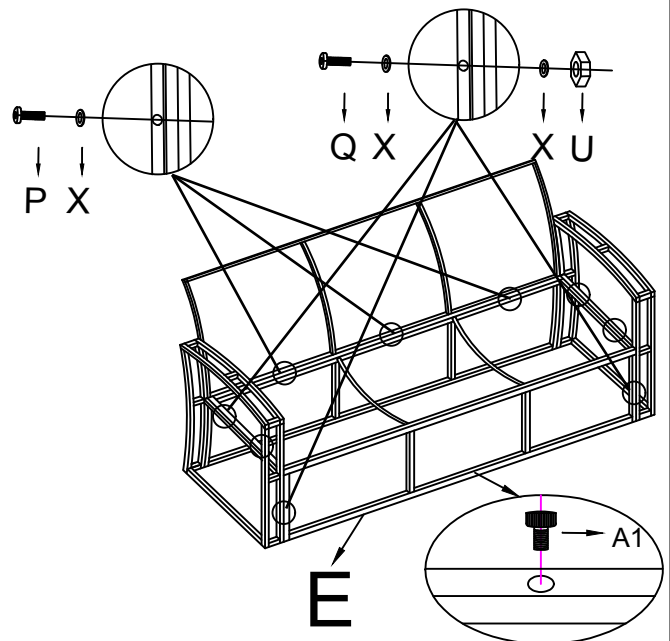
STEP 2



STEP 3



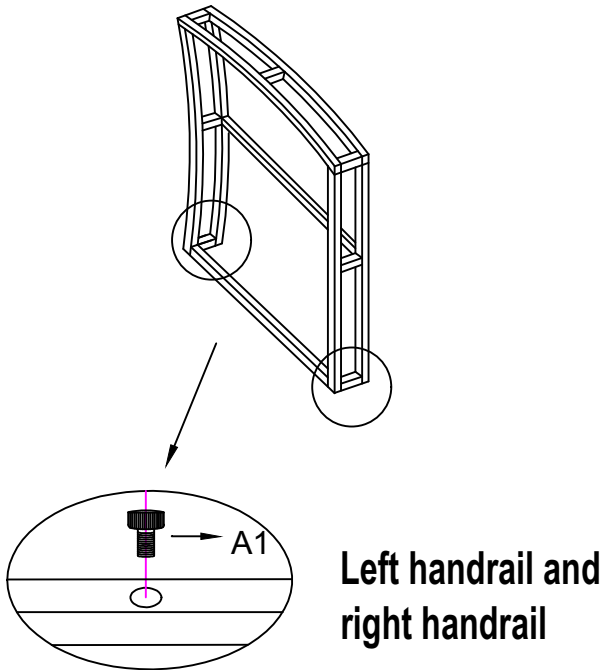
STEP 4



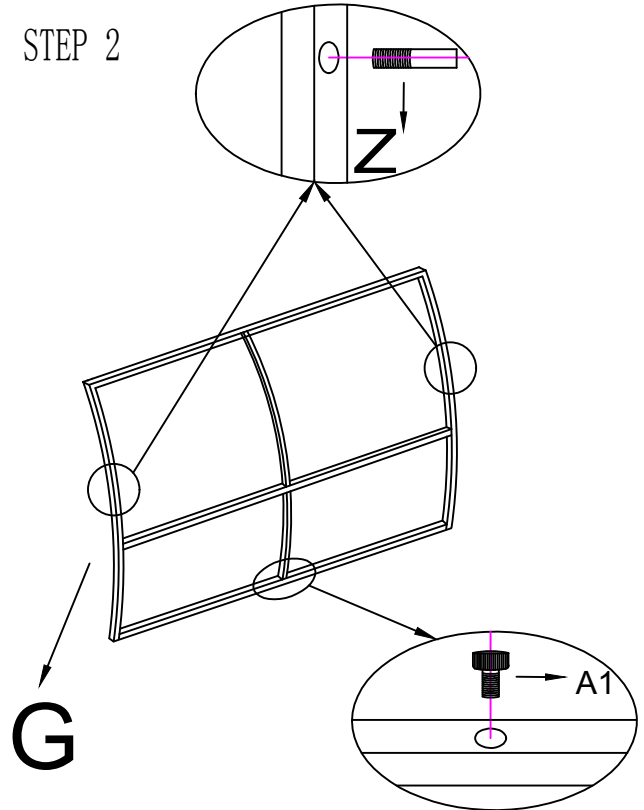
# Assembly Instructions

## Two person sofa

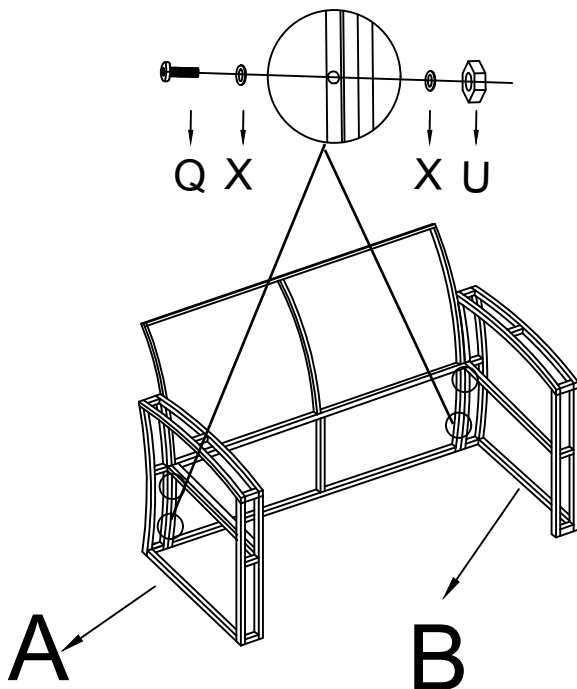
STEP 1



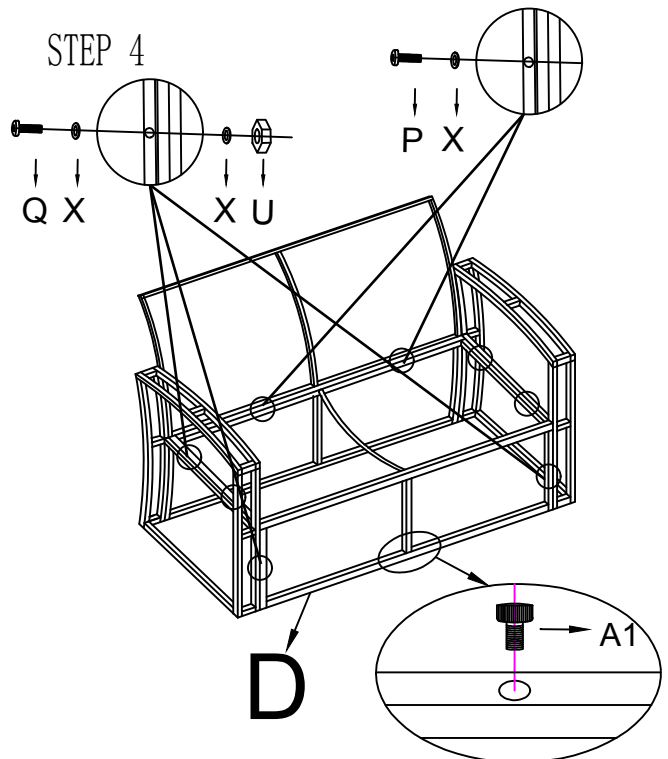
STEP 2



STEP 3



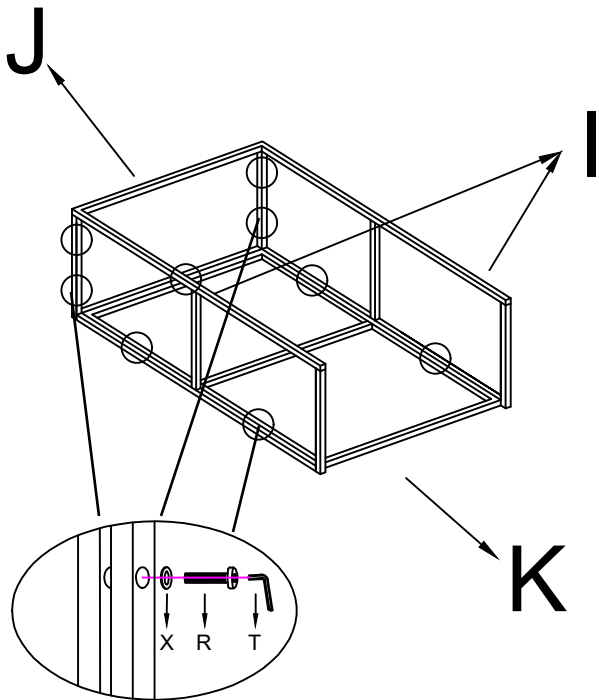
STEP 4



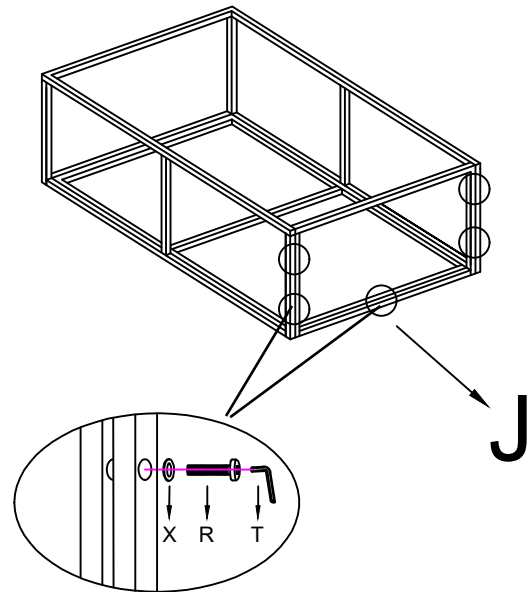
# Assembly Instructions

## Coffee Table

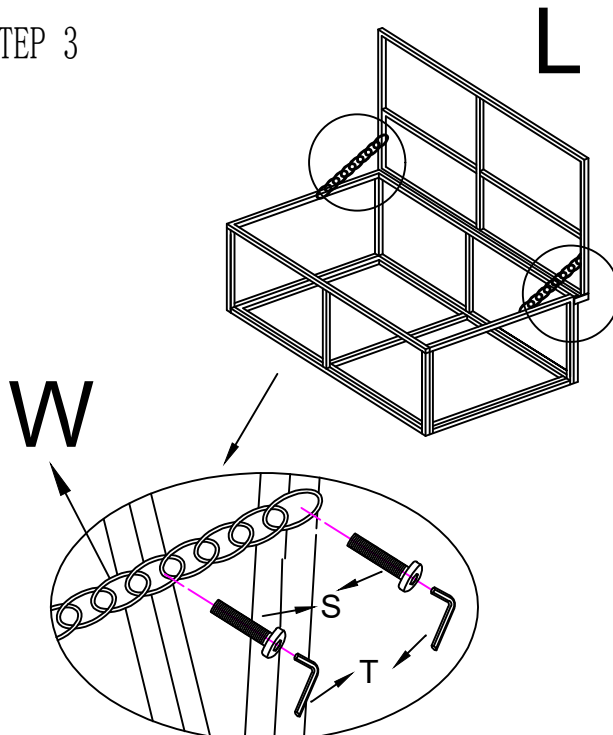
STEP 1



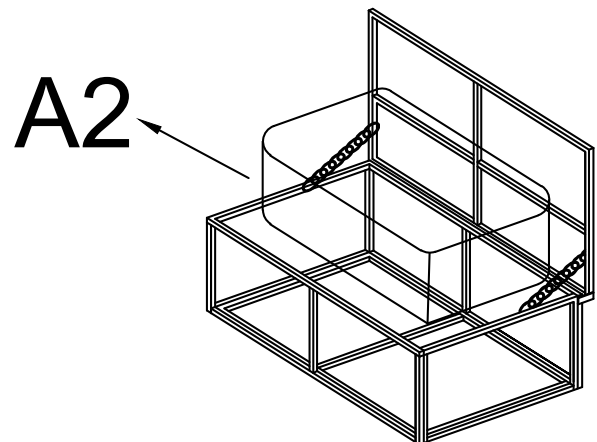
STEP 2



STEP 3



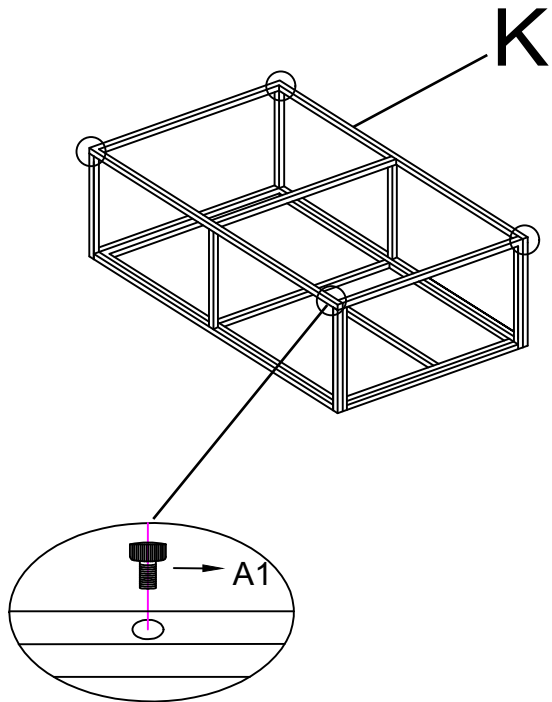
STEP 4



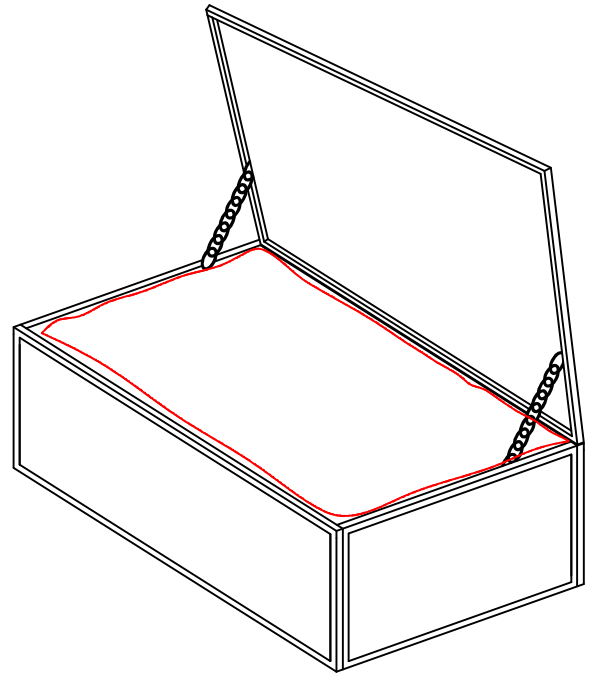
# Assembly Instructions

## Coffee Table

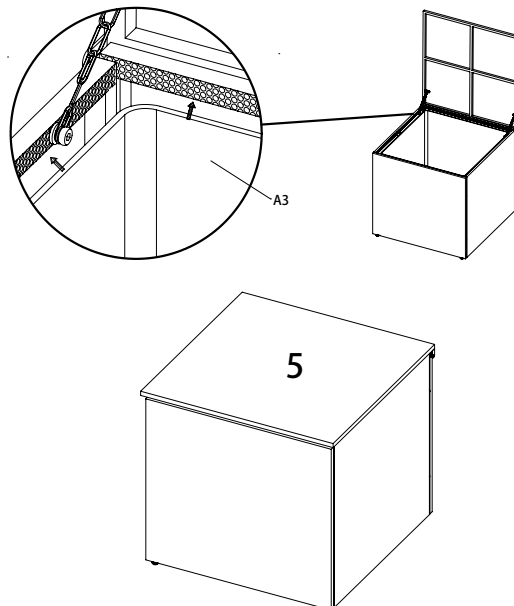
STEP 5



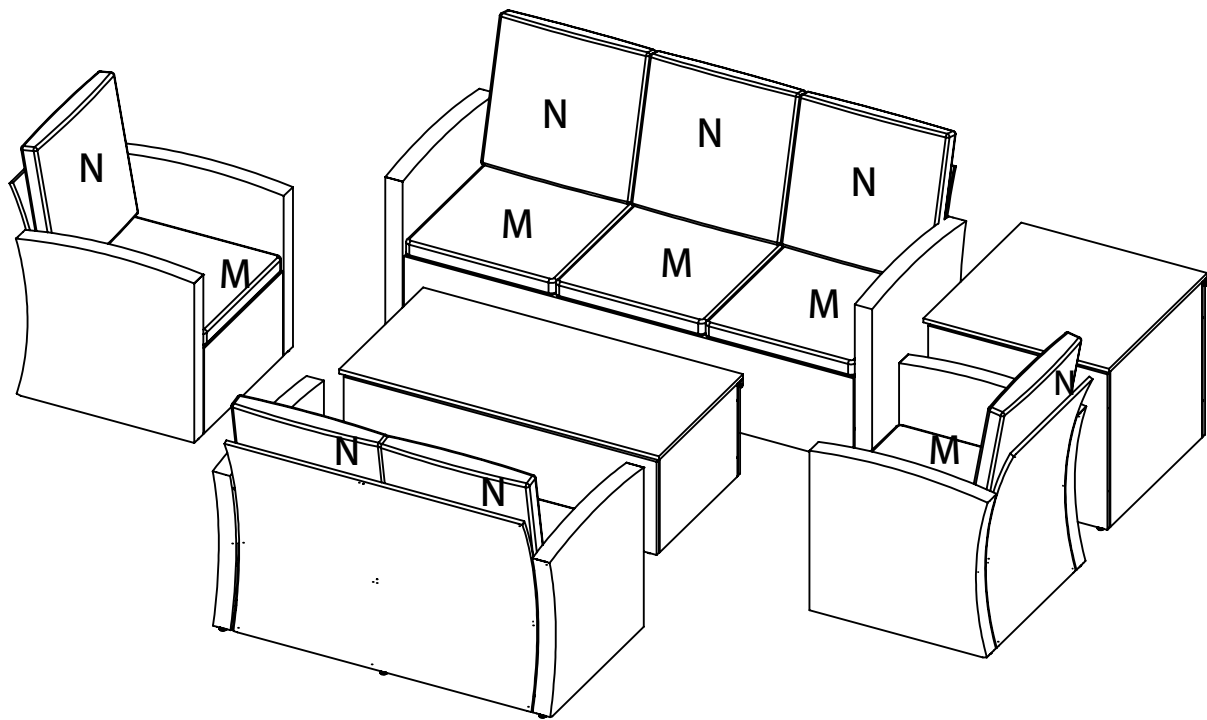
STEP 6



## Side Table



## Assembly of Cushions



## Care and Maintenance

Before using, clean the Sofa completely with a soft dry towel. When not in use, wipe free of any dirt or loose objects, wash with a mild solution of soap and water; rinse thoroughly and dry completely. Do not use strong detergent or abrasive cleaners. Over time nuts and bolts can loosen. Occasionally, check nuts and bolts, re-tighten if necessary.

We recommend the cushions are stored away when not in use or during winter time to prolong the life of your product.