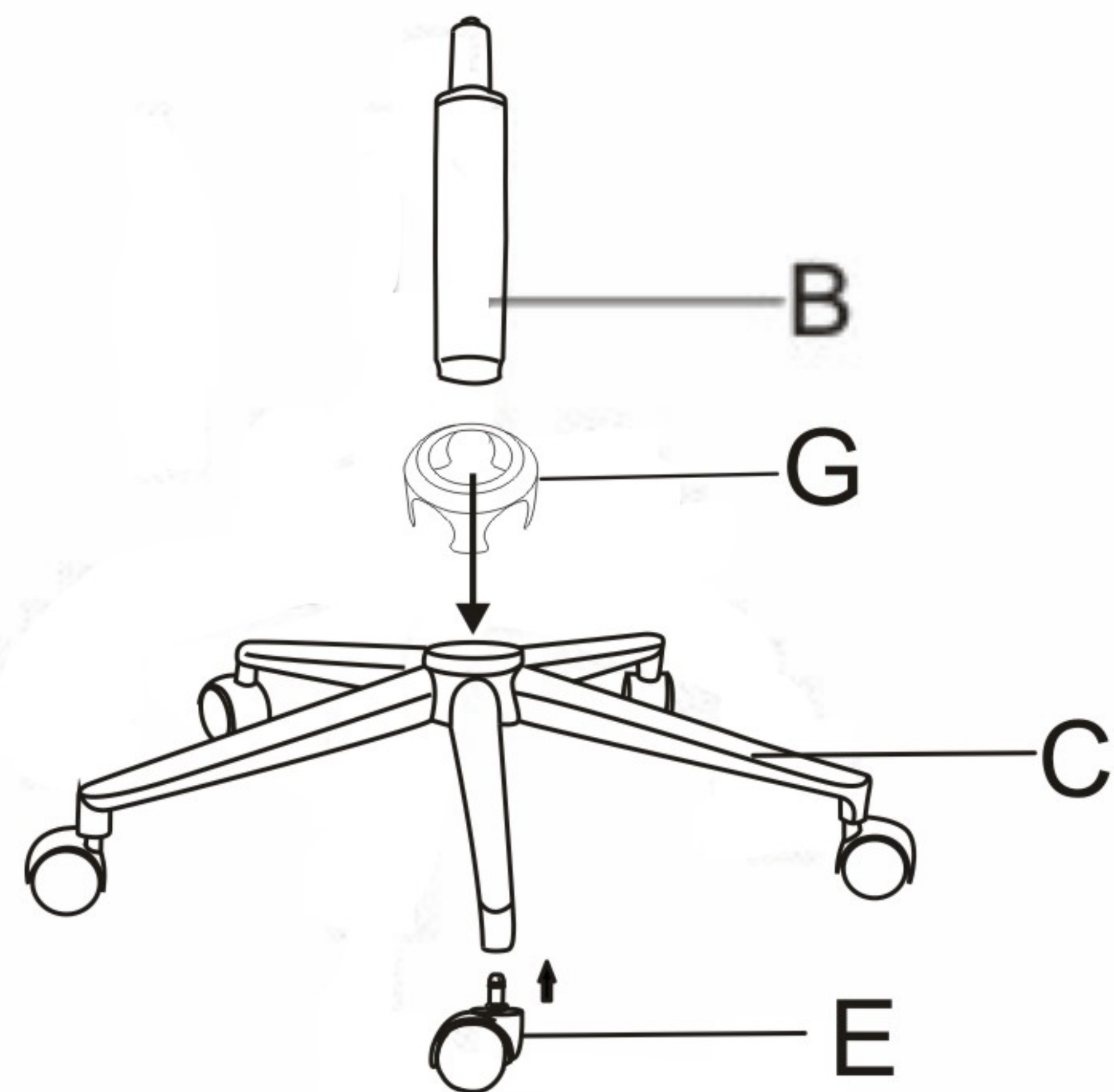


ASSEMBLY INSTRUCTION

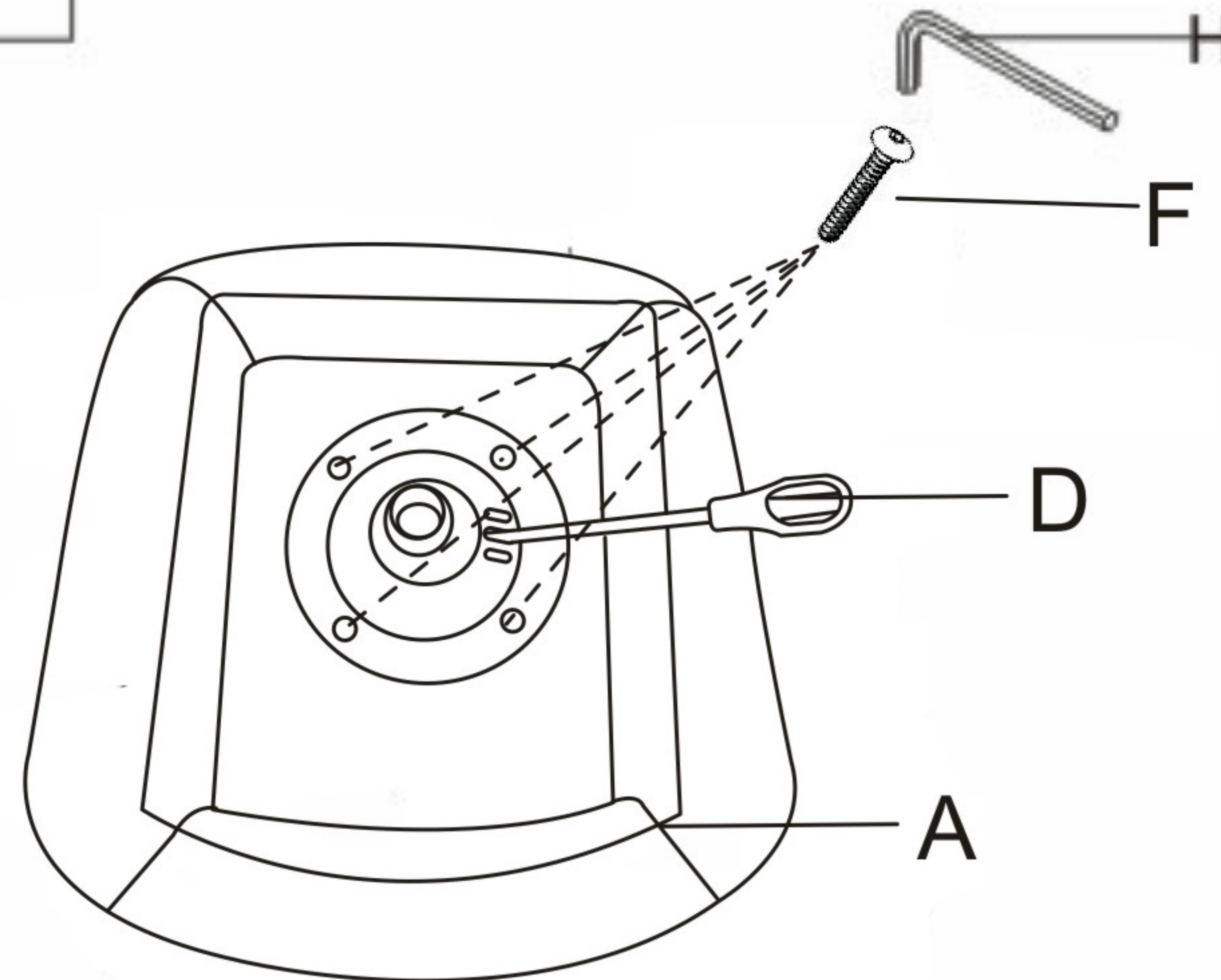
▽ PARTSxQTY

▽ ASSEMBLY PROGRAM

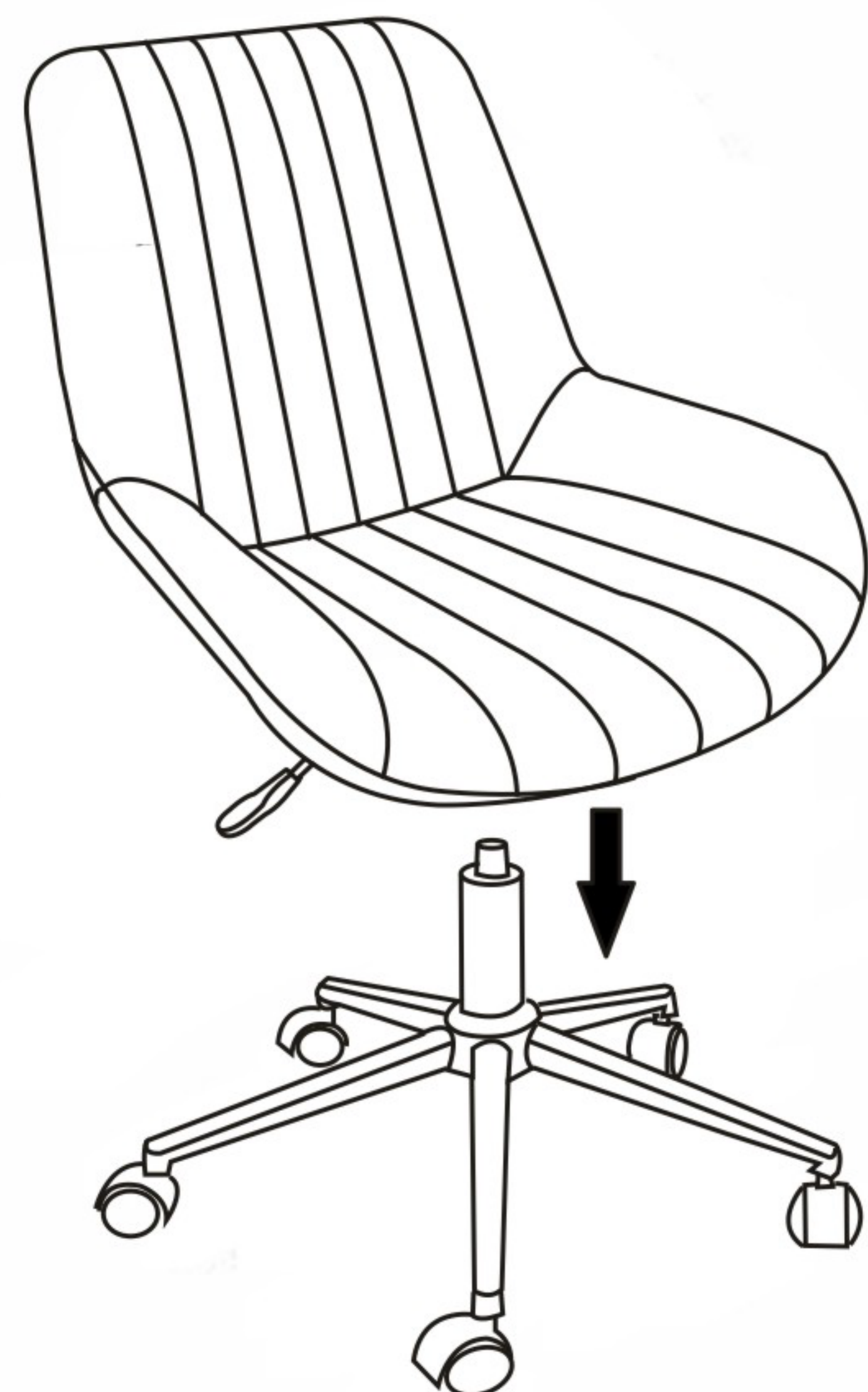
1



2



3



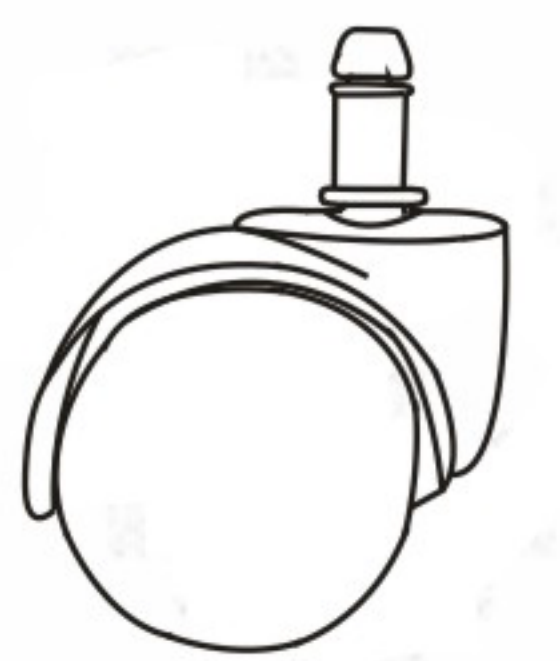
4



Ax1



Ex5



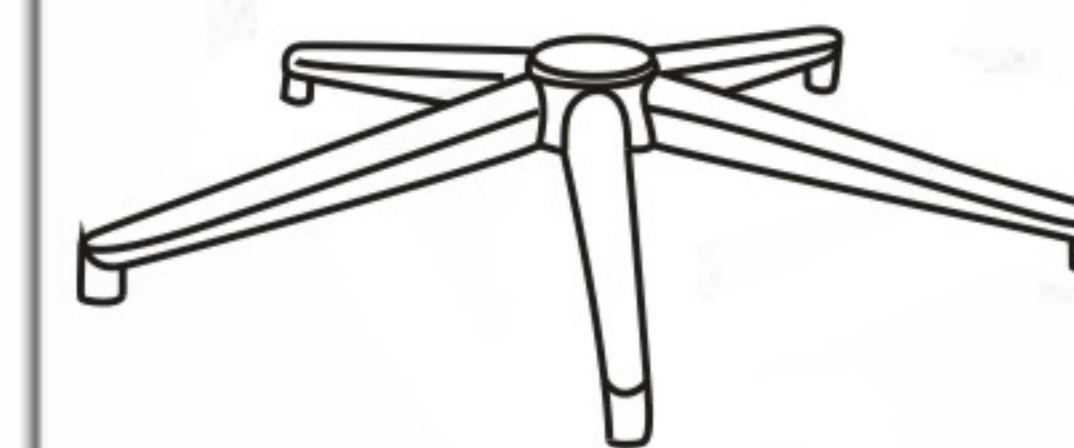
Bx1



Fx4



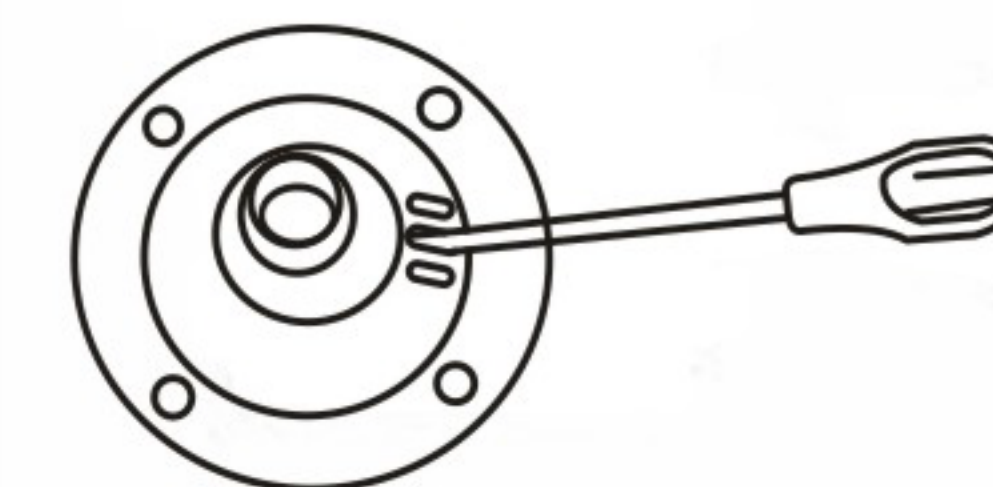
Cx1



Gx1



Dx1



Hx1

