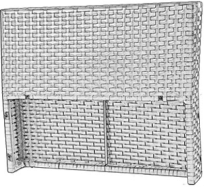
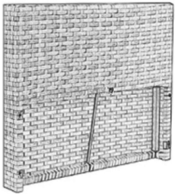
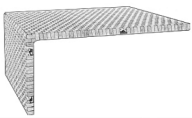
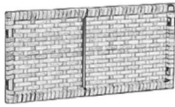




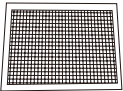


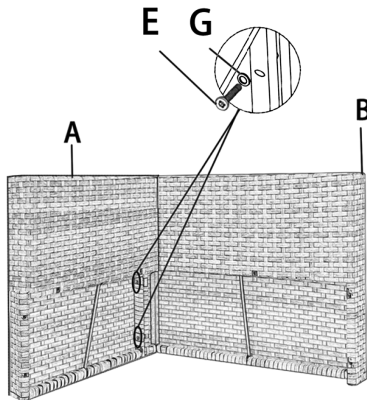
LEFT - CORNER SOFA CHAIR

ASSEMBLY INSTRUCTION

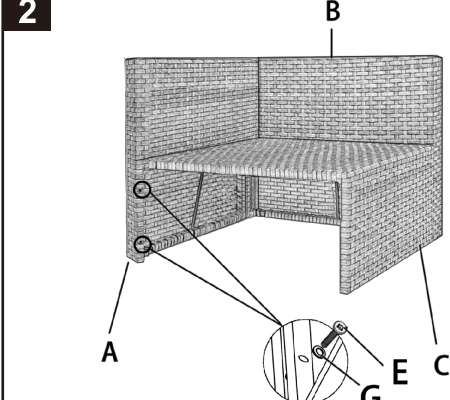
※Please do not tighten bolts until all panels are connected.

	Ⓐ 1PC backrest
	Ⓑ 1PC armrest
	Ⓒ 1PC
	Ⓓ 1PC
 1/4*35	Ⓔ 20PCS
	Ⓕ 4PCS
	Ⓖ 20PCS
	Ⓗ 1PC
	Ⓘ 1PC

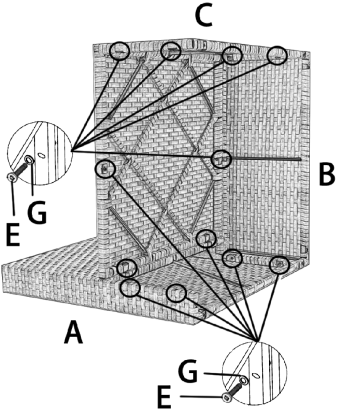
1



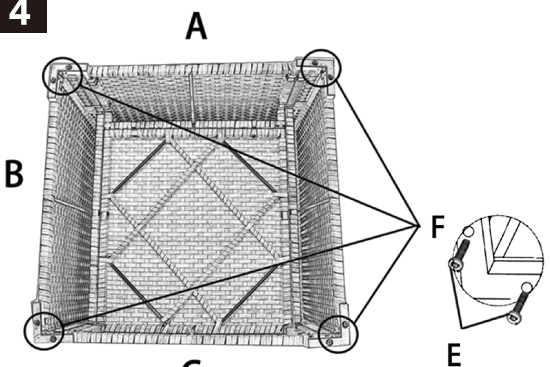
2



3

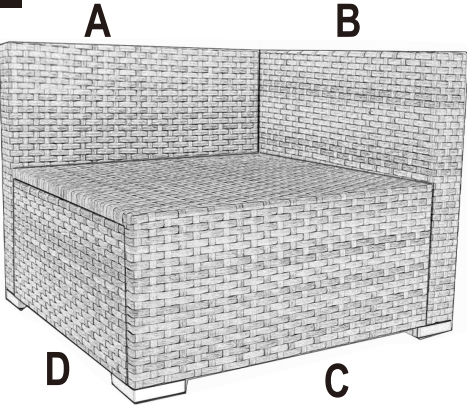


4

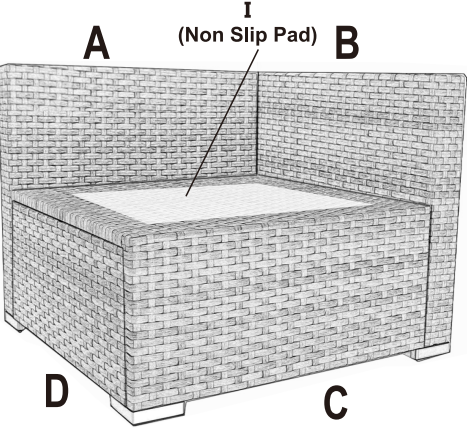


※No washer is needed for feet installation.

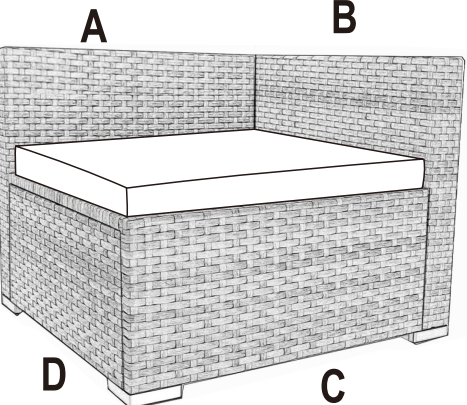
5



6



7



C