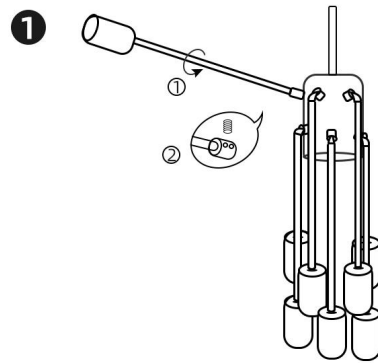
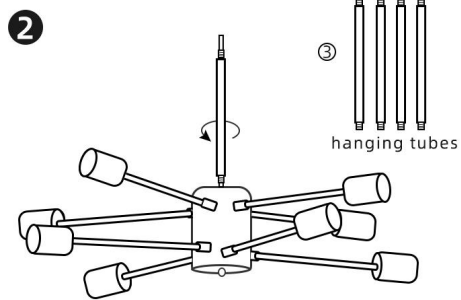


Installation Guide



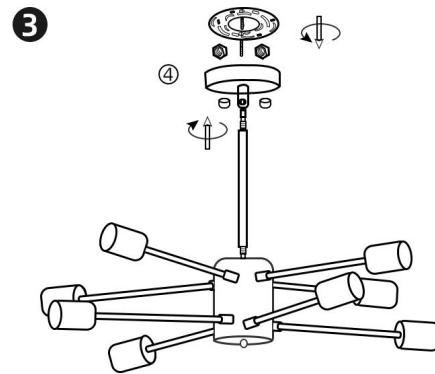
1

1. Rotate and tighten each rod
Connect to the interface of each lamp body
2. Lock it with screw, as a double fixation.



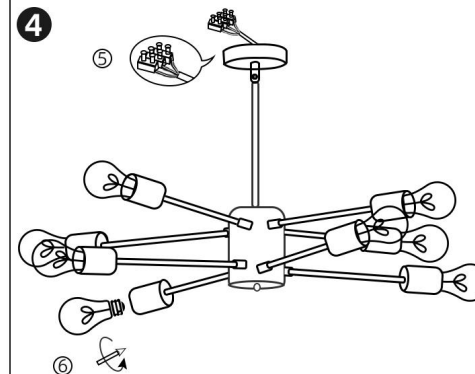
2

3. Through the wires, connect the suspender we presented, you can connect more suspenders to reach your request height.



3

4. Connect the plate to the rod, secure with screws and nuts



4

5. Connect the wires with your home lines
6. Install the bulbs
7. The installation is complete

NOTE

- *Please install it by a licensed electrician.
- *Please make sure you have cut off the electricity supply before installation.
- *All wires are connected. When unpacking, be careful not to pull with wires as a bad connection may result.
- *For the longer service life, please use it in a dry environment.
- *Install guide is included in package which will help you with easy installation. All required fixture parts are included (No Switch, No Plug)