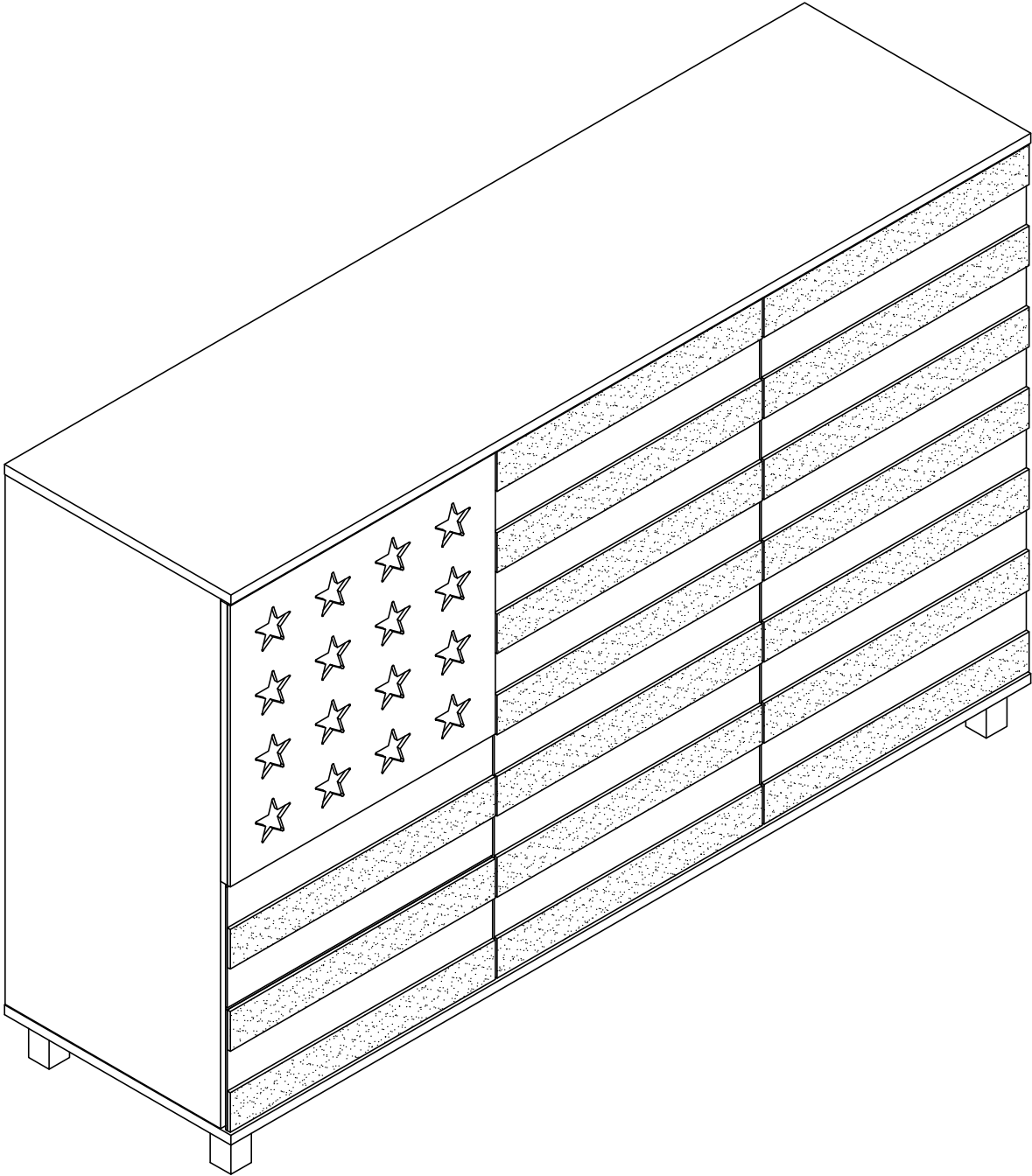
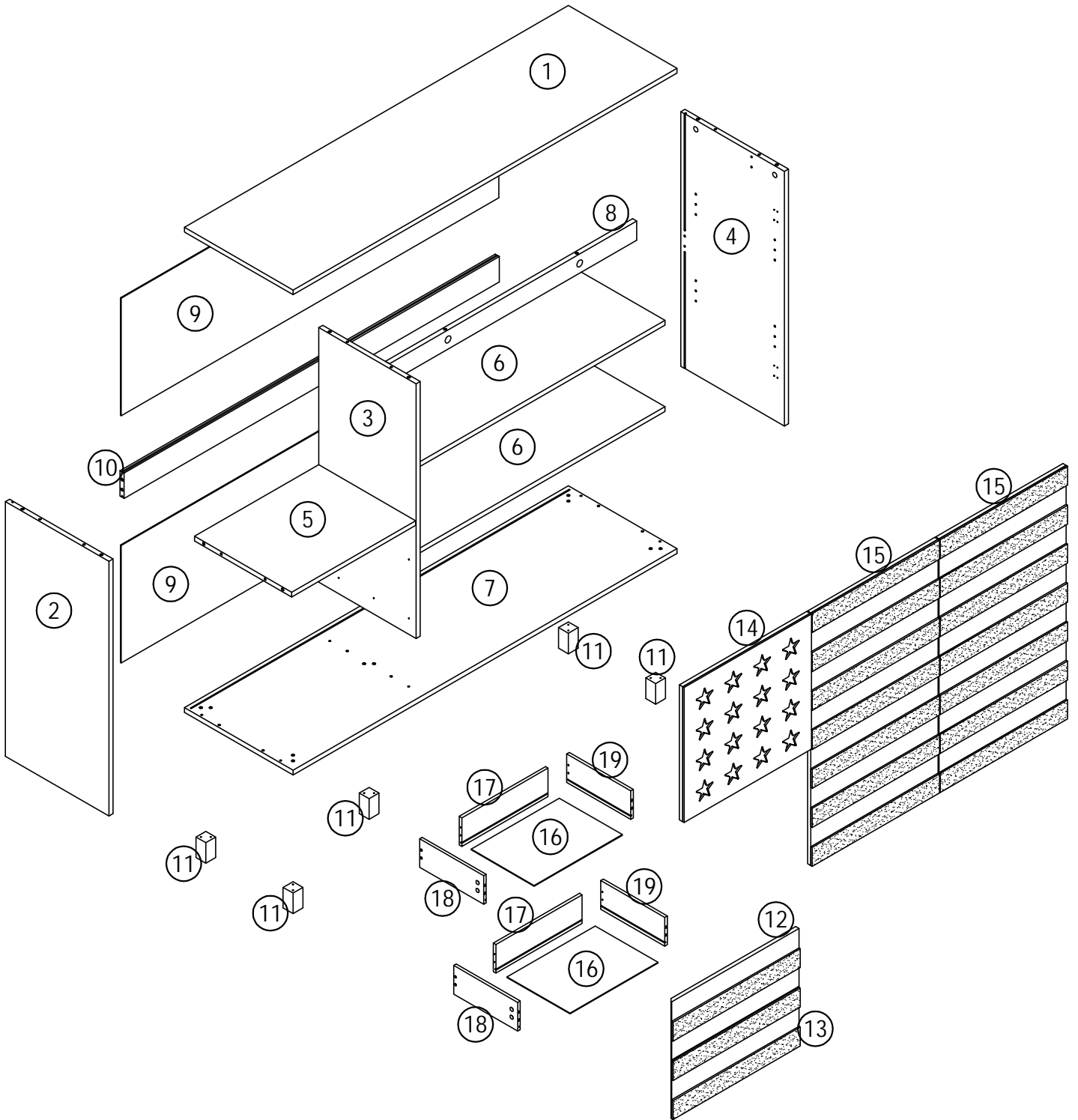



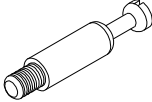
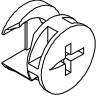
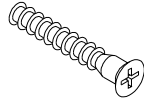
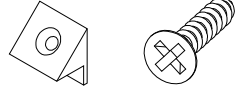
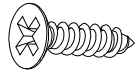
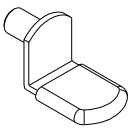
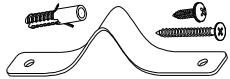
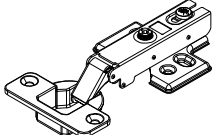
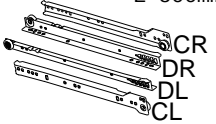
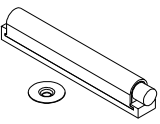
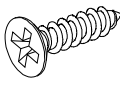

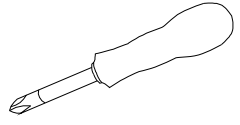
STORAGE CABINET



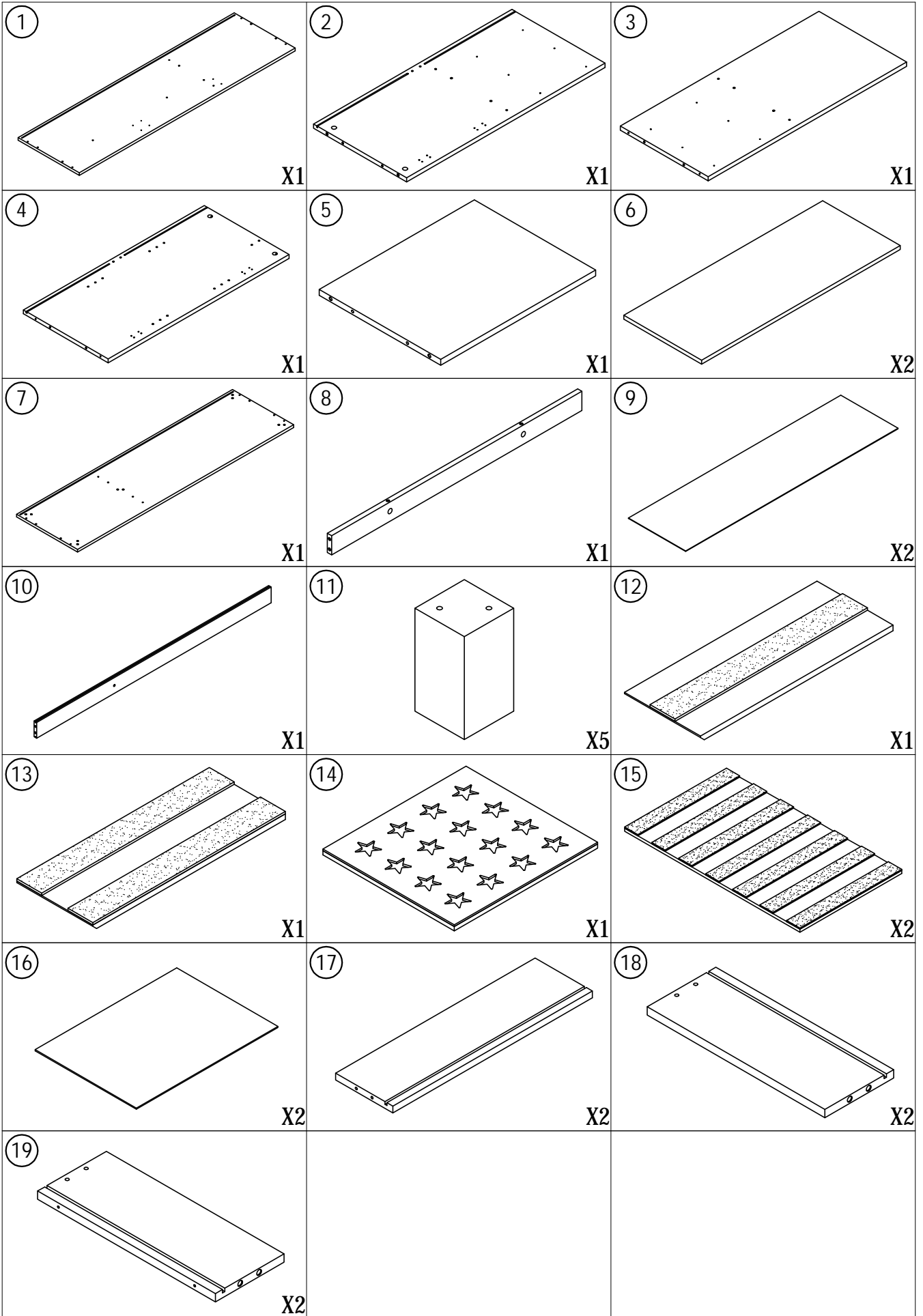
ASSEMBLY INSTRUCTIONS



ASSEMBLY INSTRUCTIONS

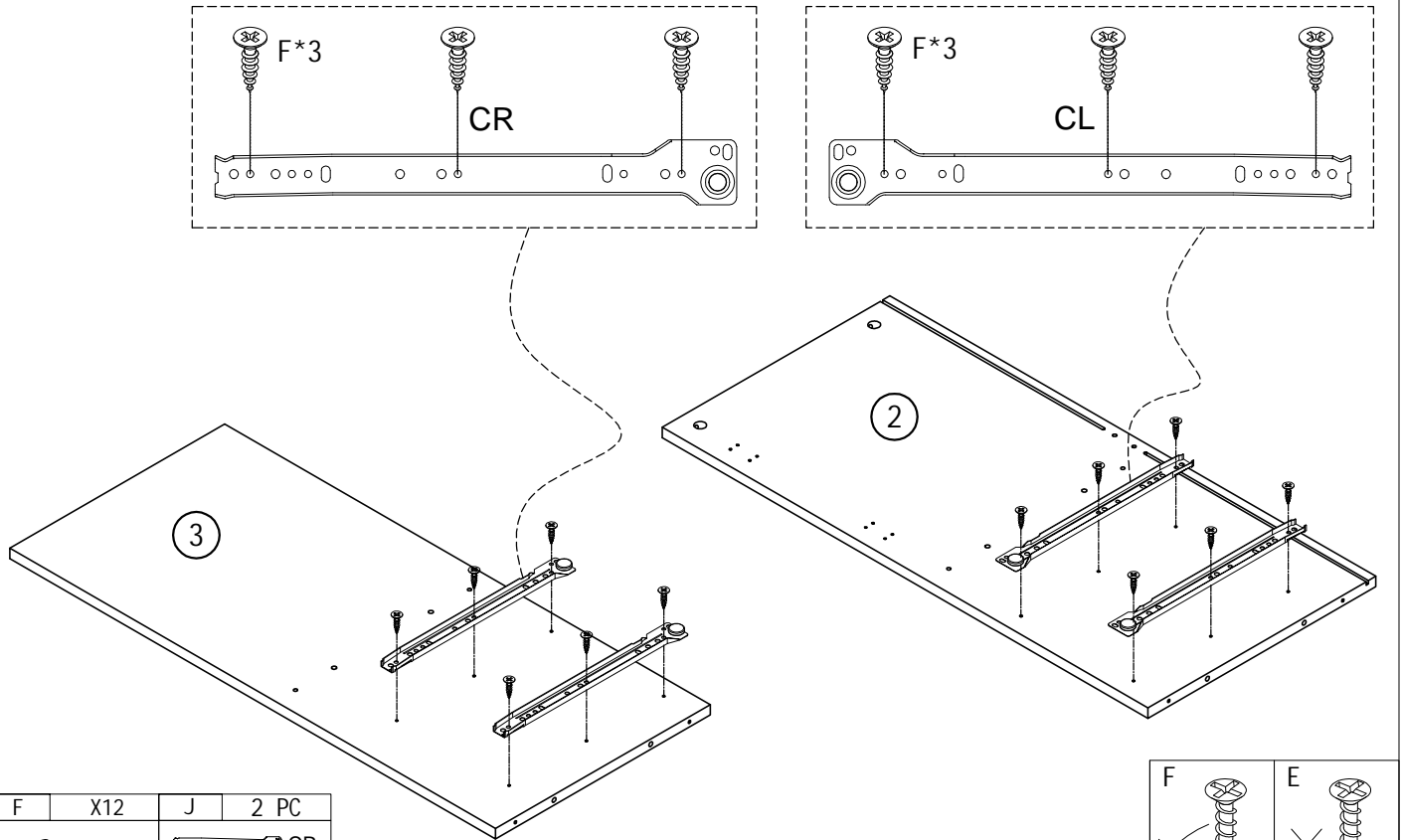
<p>A x16</p>  <p>∅6x30mm</p>	<p>B x28</p>  <p>∅6x35mm</p>	<p>C x28</p>  <p>∅15x10mm</p>	<p>D x25</p>  <p>∅5x38mm</p>	<p>E x12</p> <p>∅6x3x16mm</p> 
<p>spare:3 spare:2 spare:2 spare:2 spare:1</p>				
<p>F x29</p>  <p>∅6x∅3x12mm</p>	<p>G x8</p> 	<p>H x2</p> 	<p>I x6</p> 	<p>J</p> <p>L=300mm</p>  <p>CR DR DL CL</p> <p>2 sets</p>
<p>spare:4 spare:1</p>				
<p>K x3</p> 	<p>L x36</p>  <p>∅3.5x14mm</p>	<p>M x28</p>  <p>∅20mm</p>		
<p>spare:3 spare:2</p>				




ASSEMBLY INSTRUCTIONS

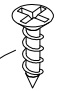
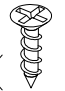


INSTALLATION

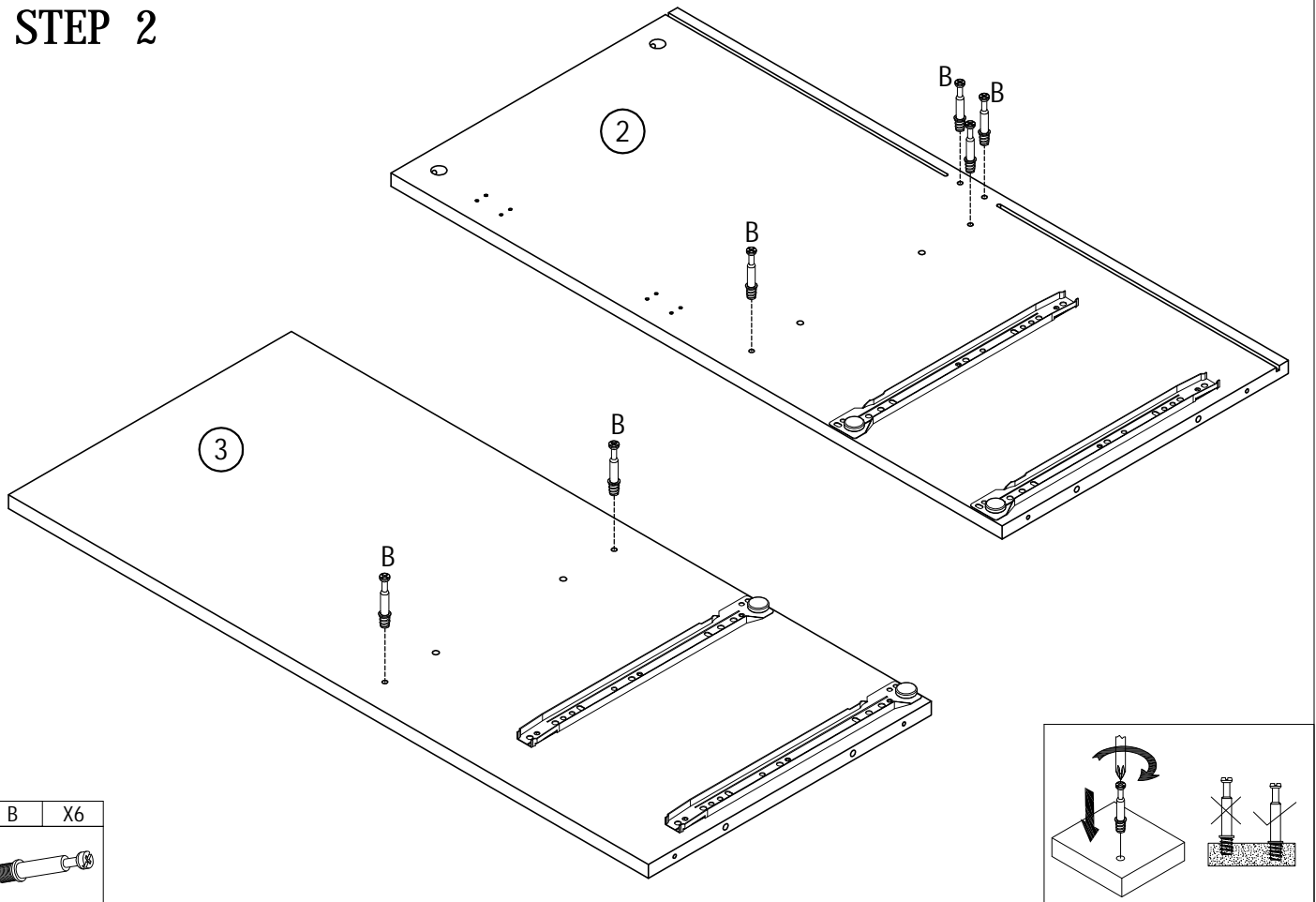
STEP 1

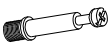


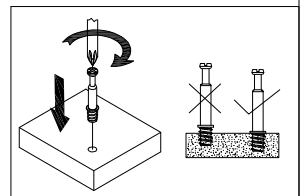
F	X12	J	2 PC
			CR
			CL

F		E	
	✓		✗
	Ø6xφ3x12		Ø6xφ3x16

STEP 2

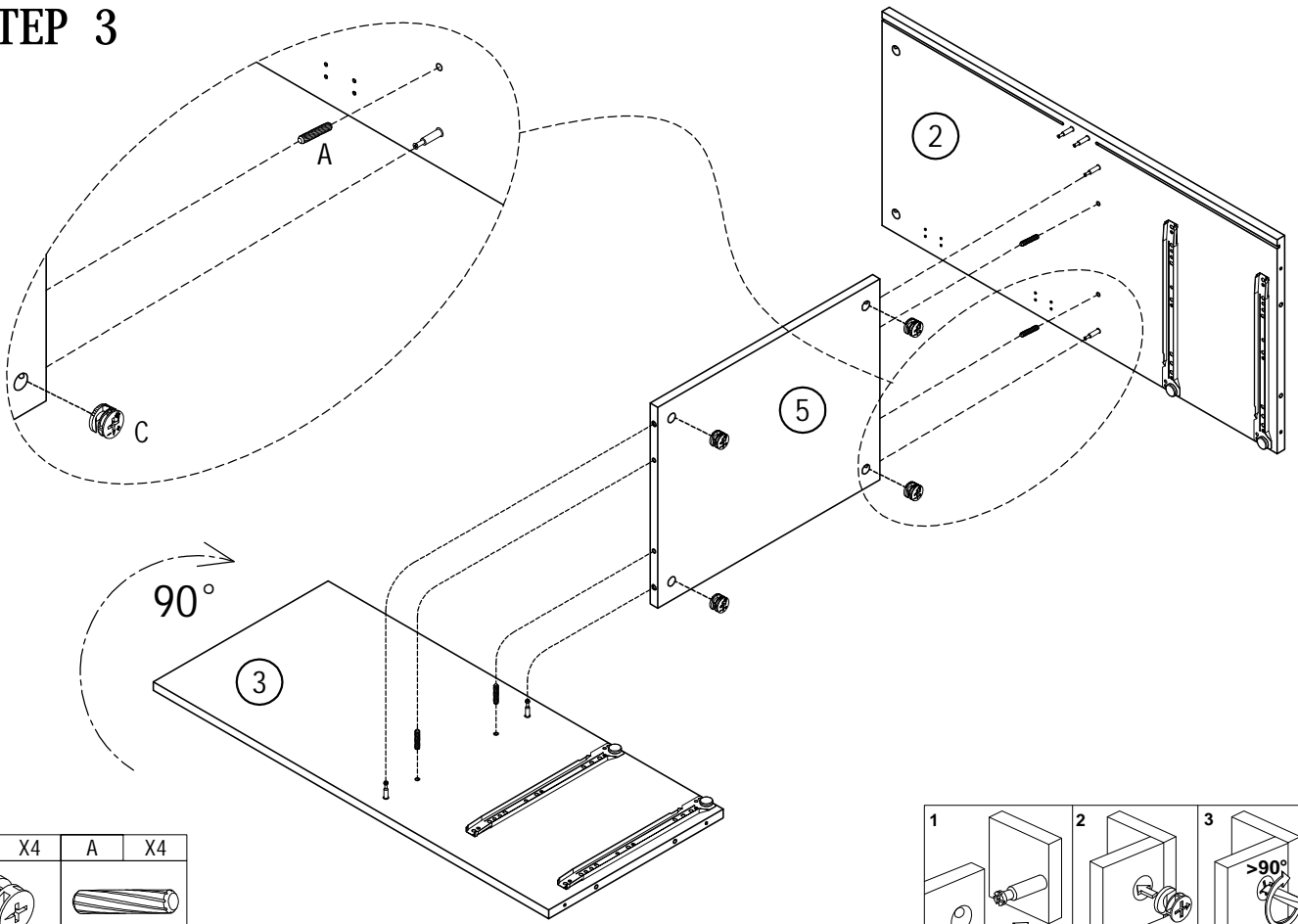


B	X6
	



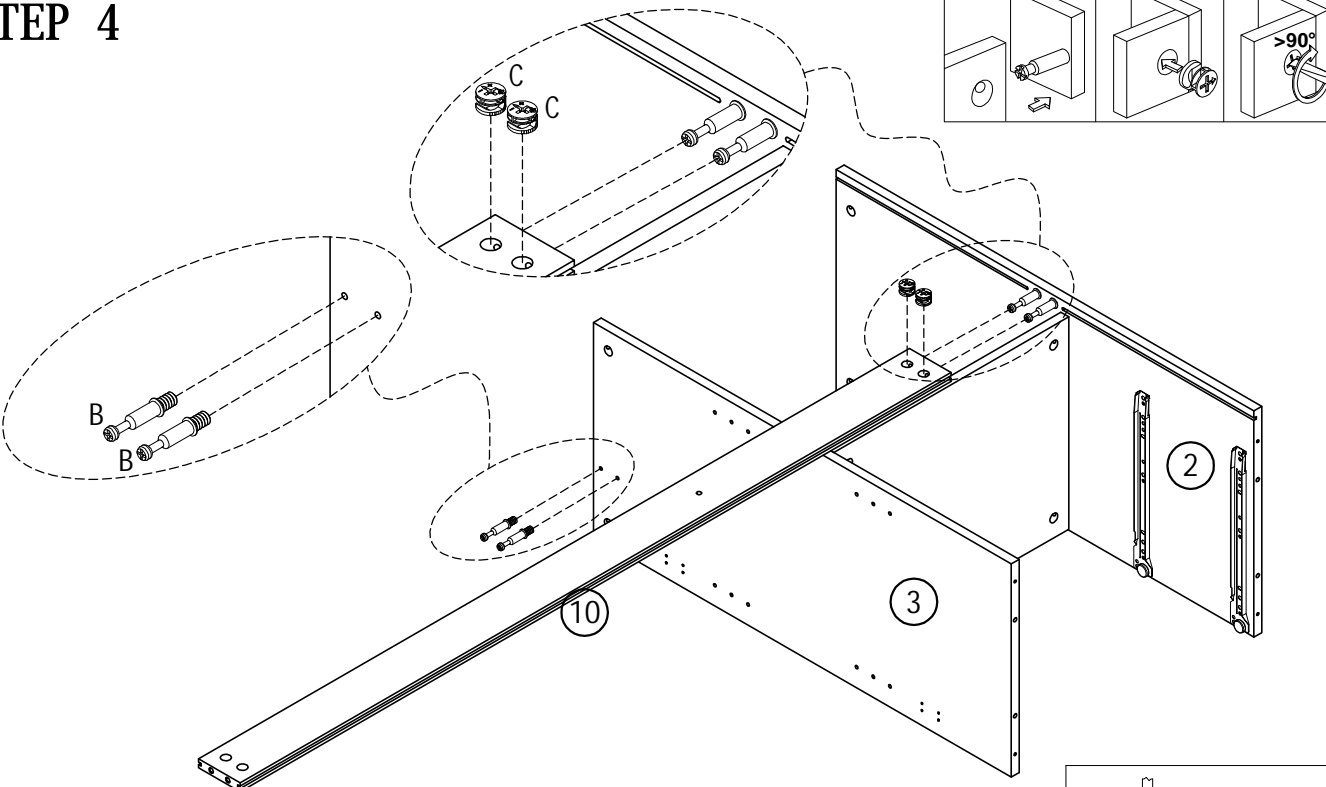
INSTALLATION

STEP 3

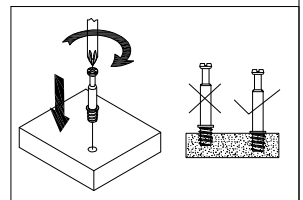


C	X4	A	X4

STEP 4

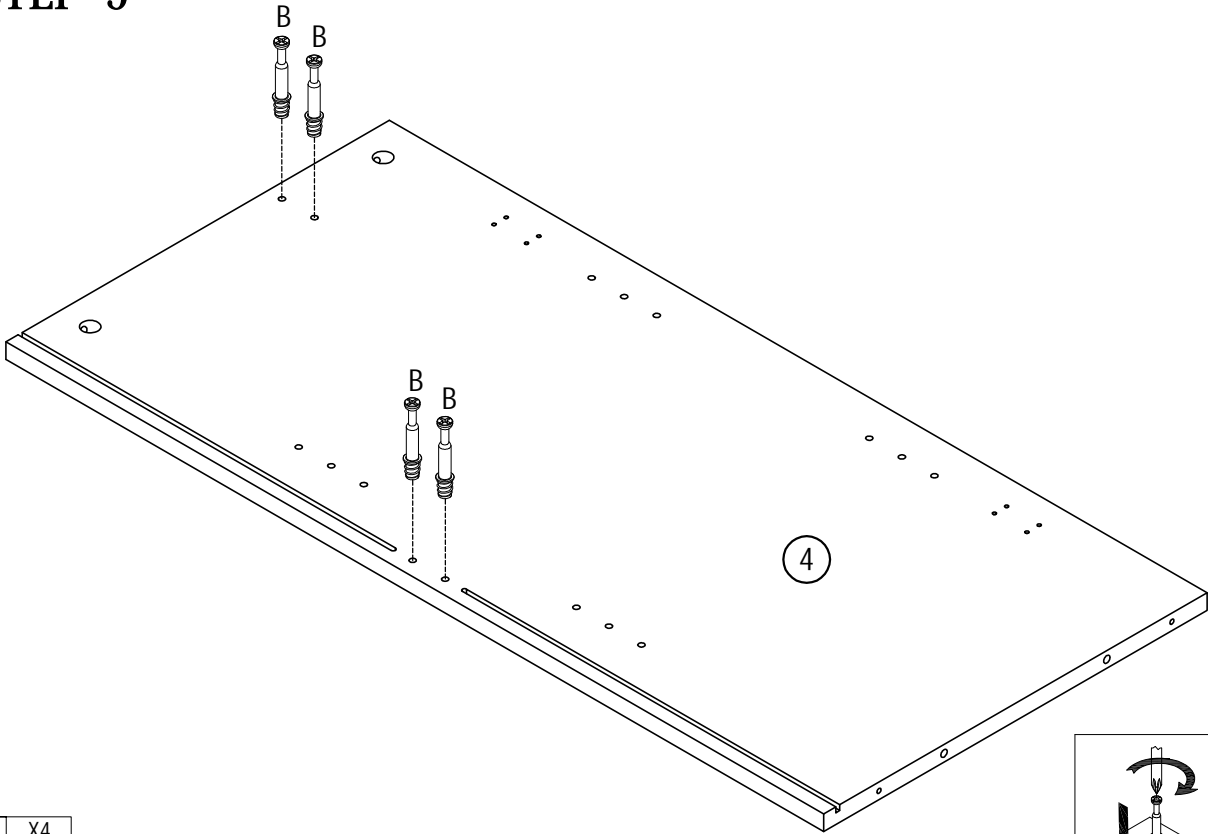


C	X2	B	X2

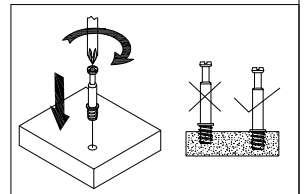
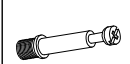


INSTALLATION

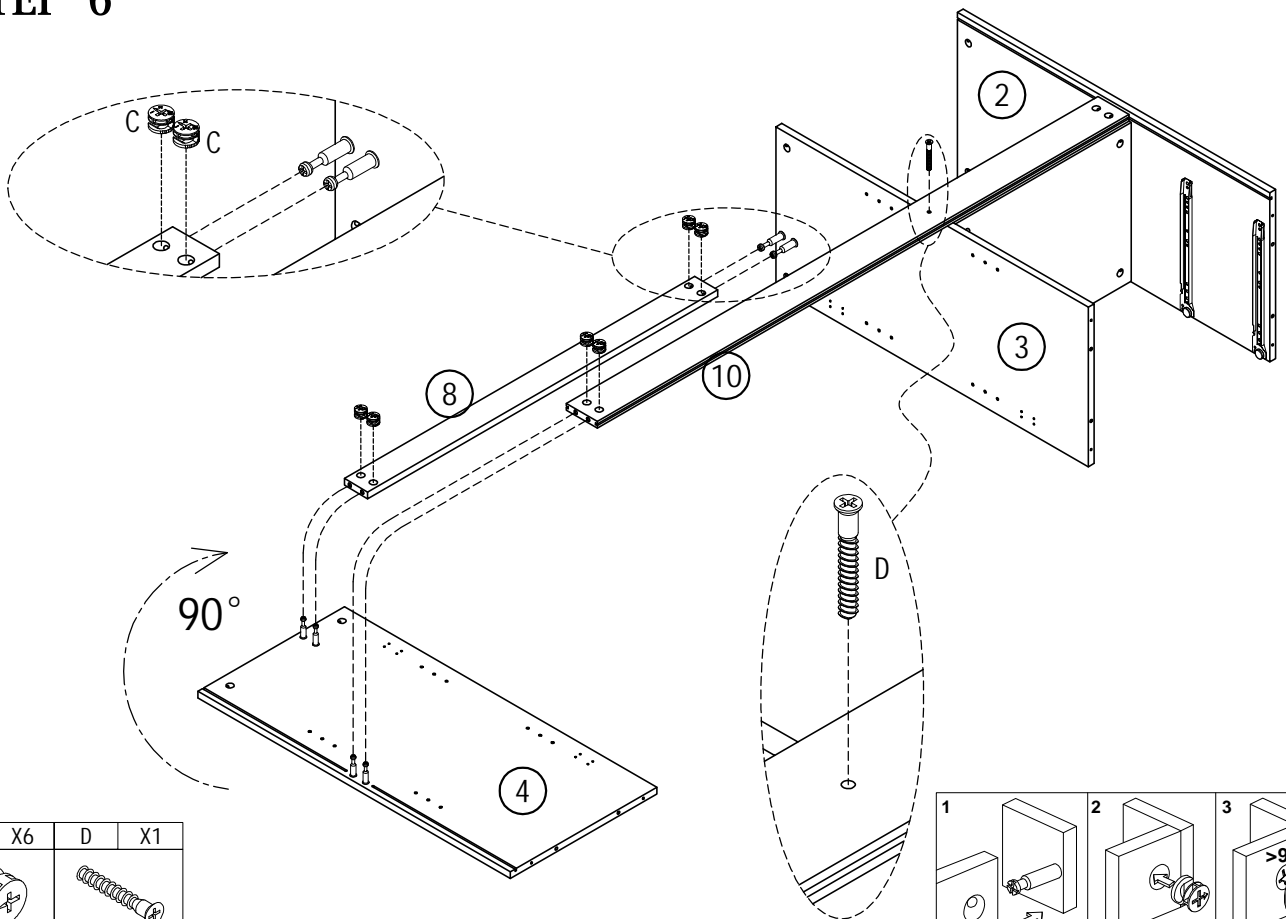
STEP 5



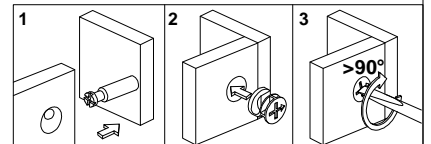
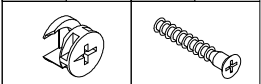
B X4



STEP 6

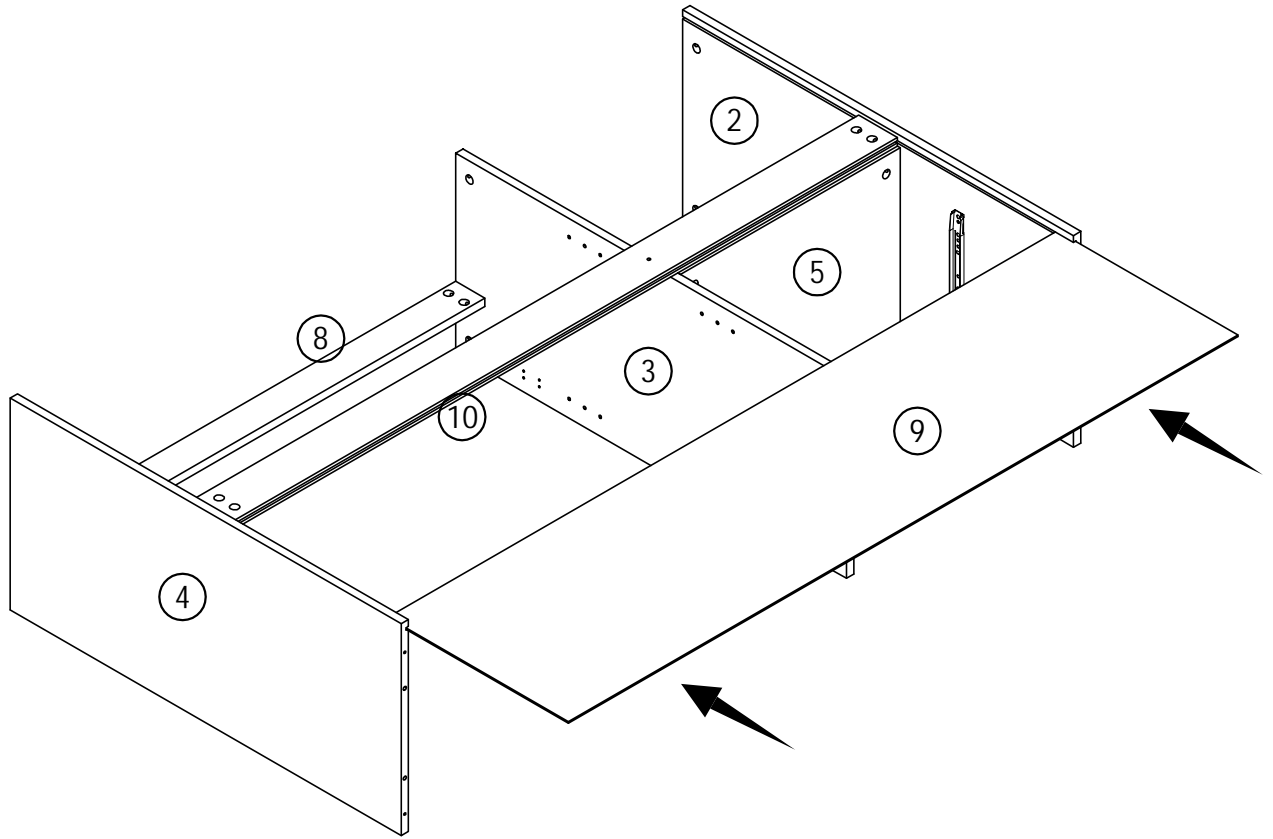


C X6 D X1

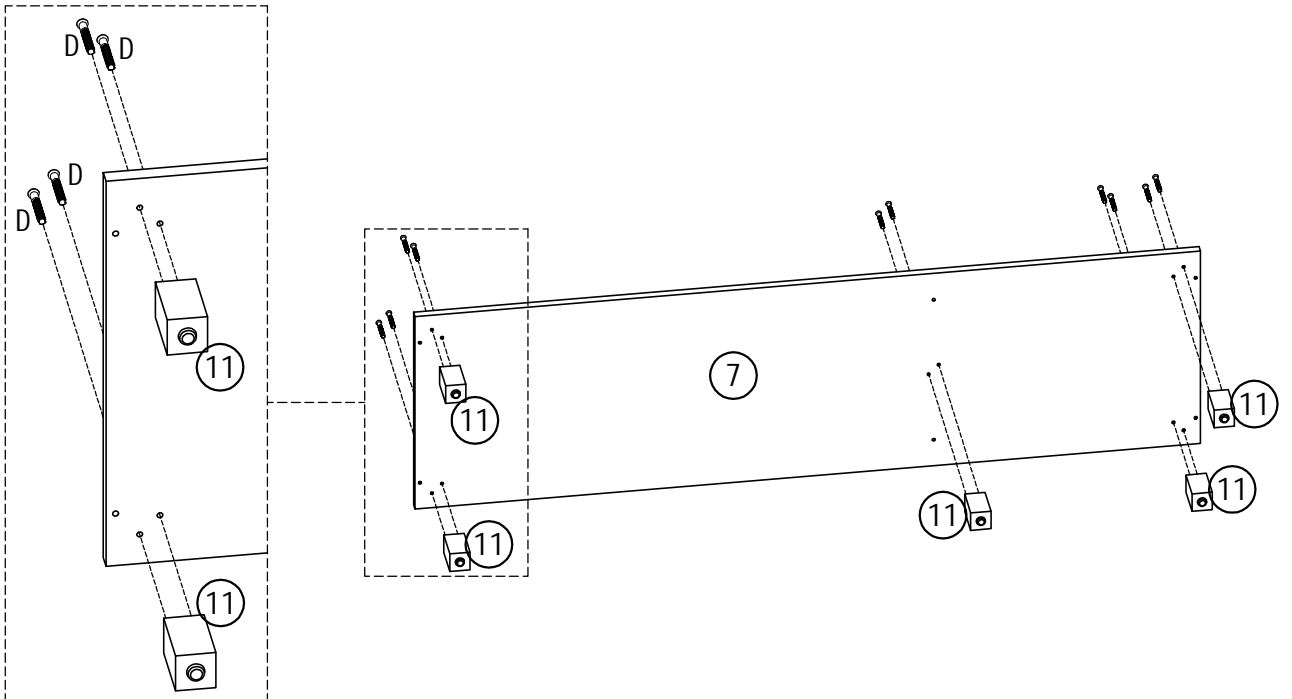


INSTALLATION

STEP 7



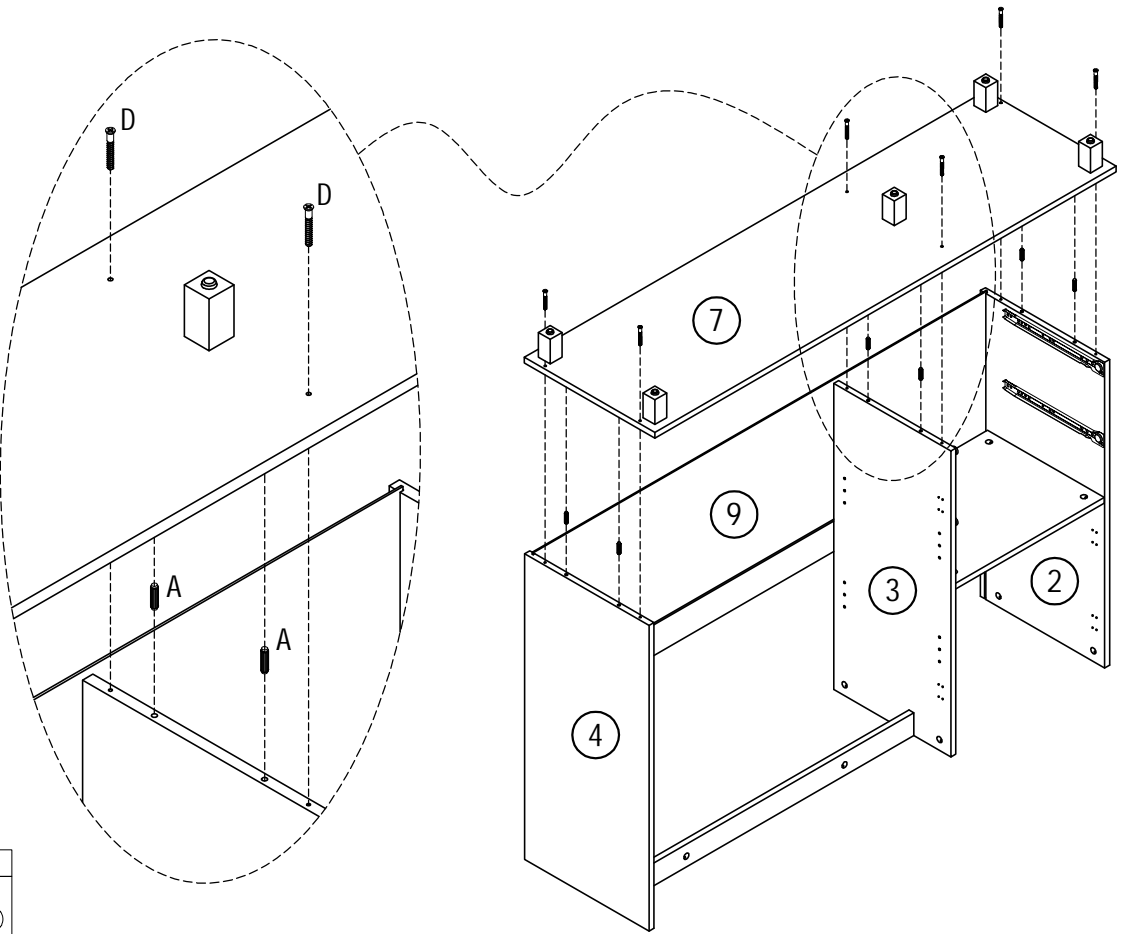
STEP 8

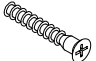



D	X10

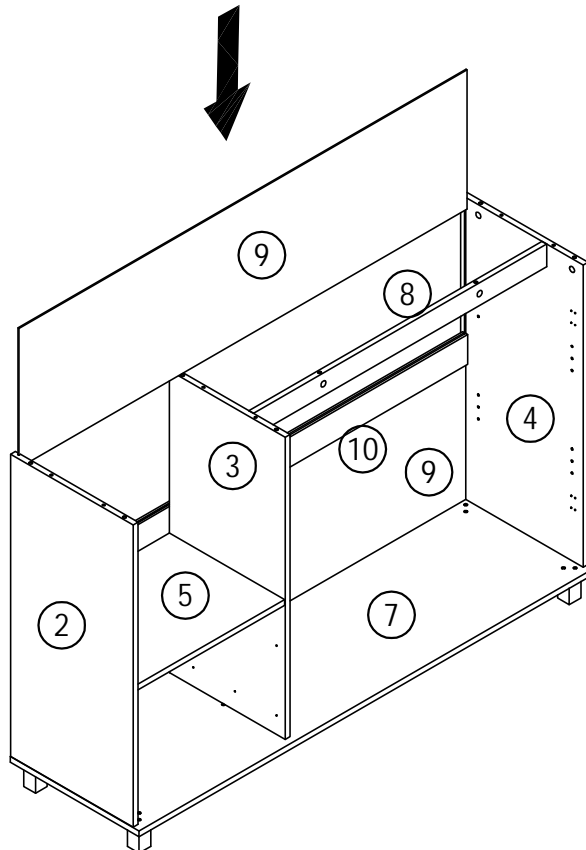
INSTALLATION

STEP 9




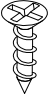
D	X6	A	X6
			

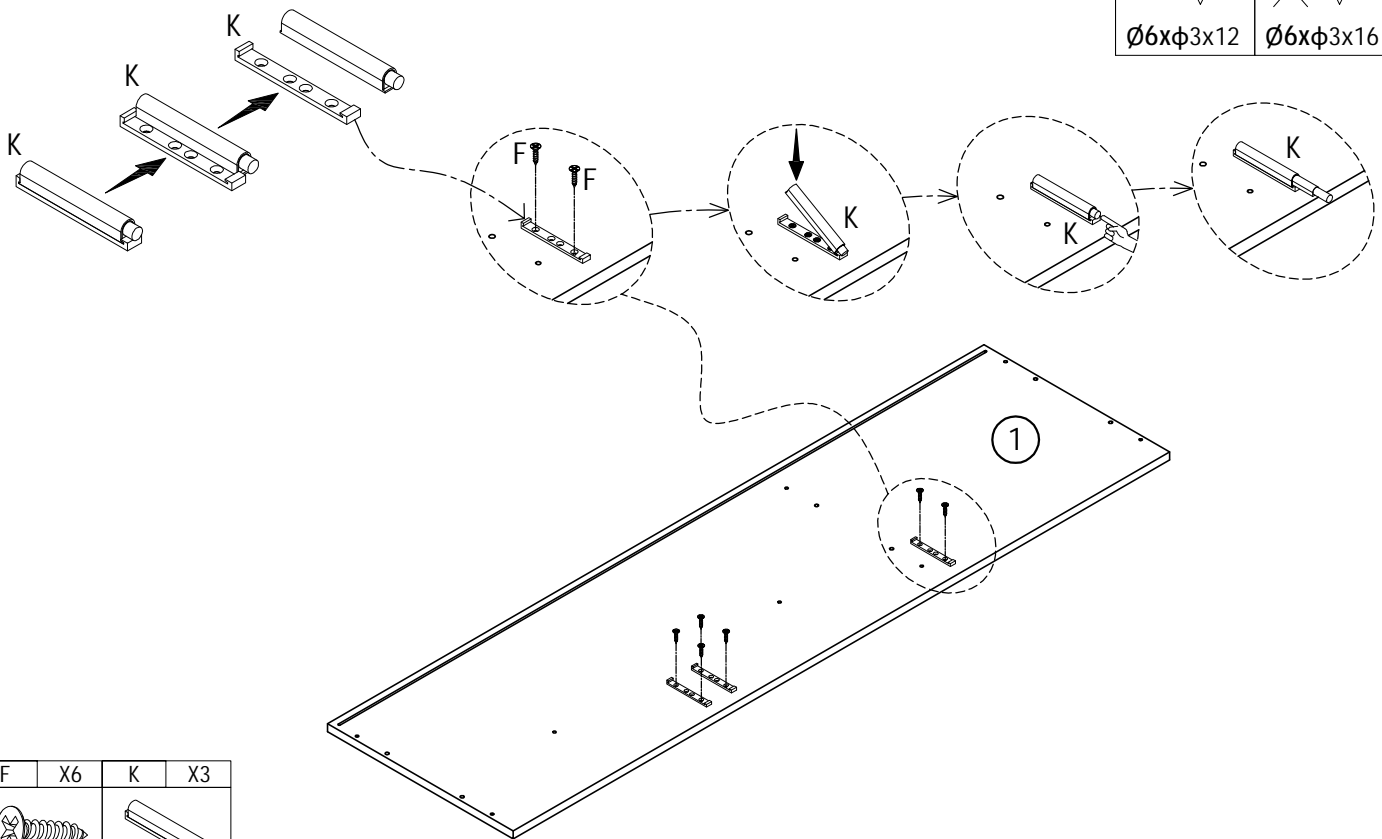
STEP 10


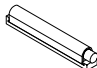


INSTALLATION

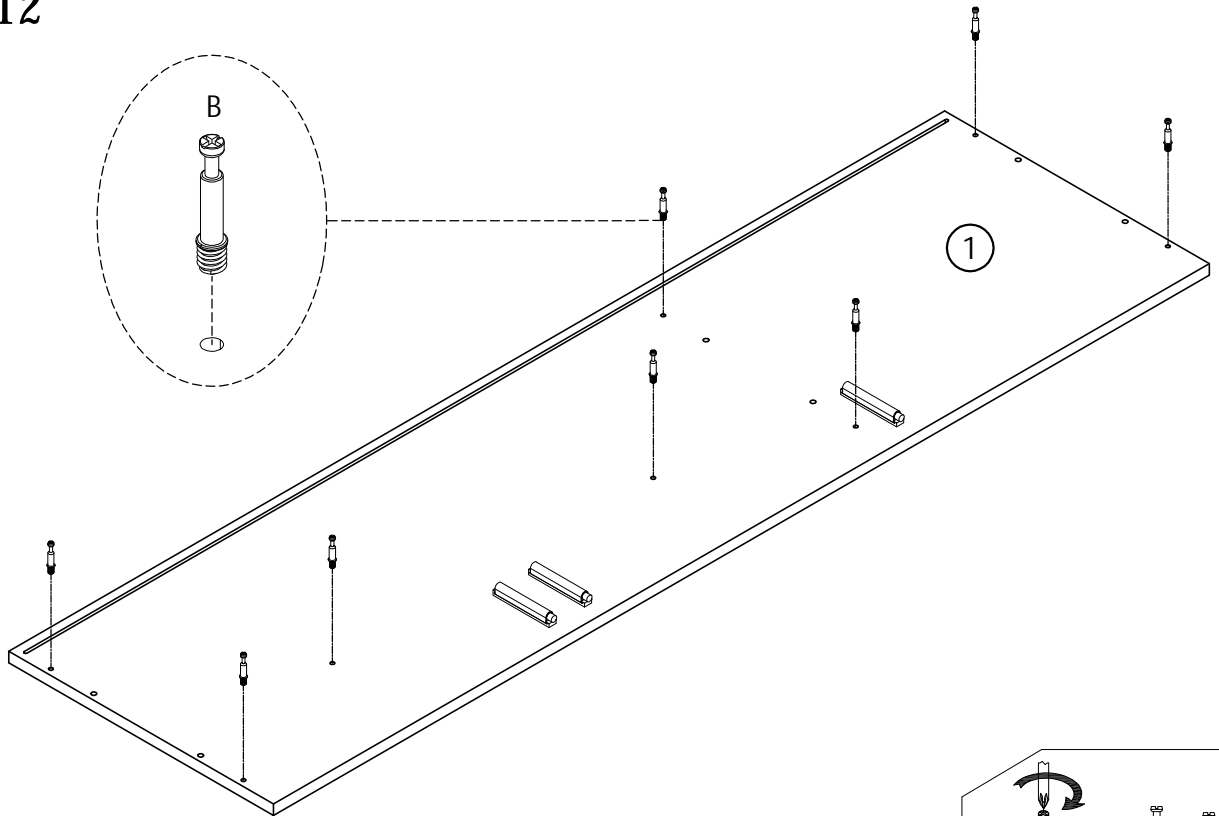
STEP 11


F		E	
	✓		✗
	Ø6xφ3x12		Ø6xφ3x16

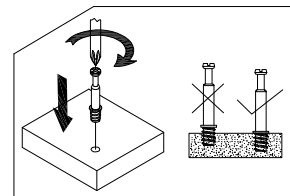


F	X6	K	X3
			

STEP 12

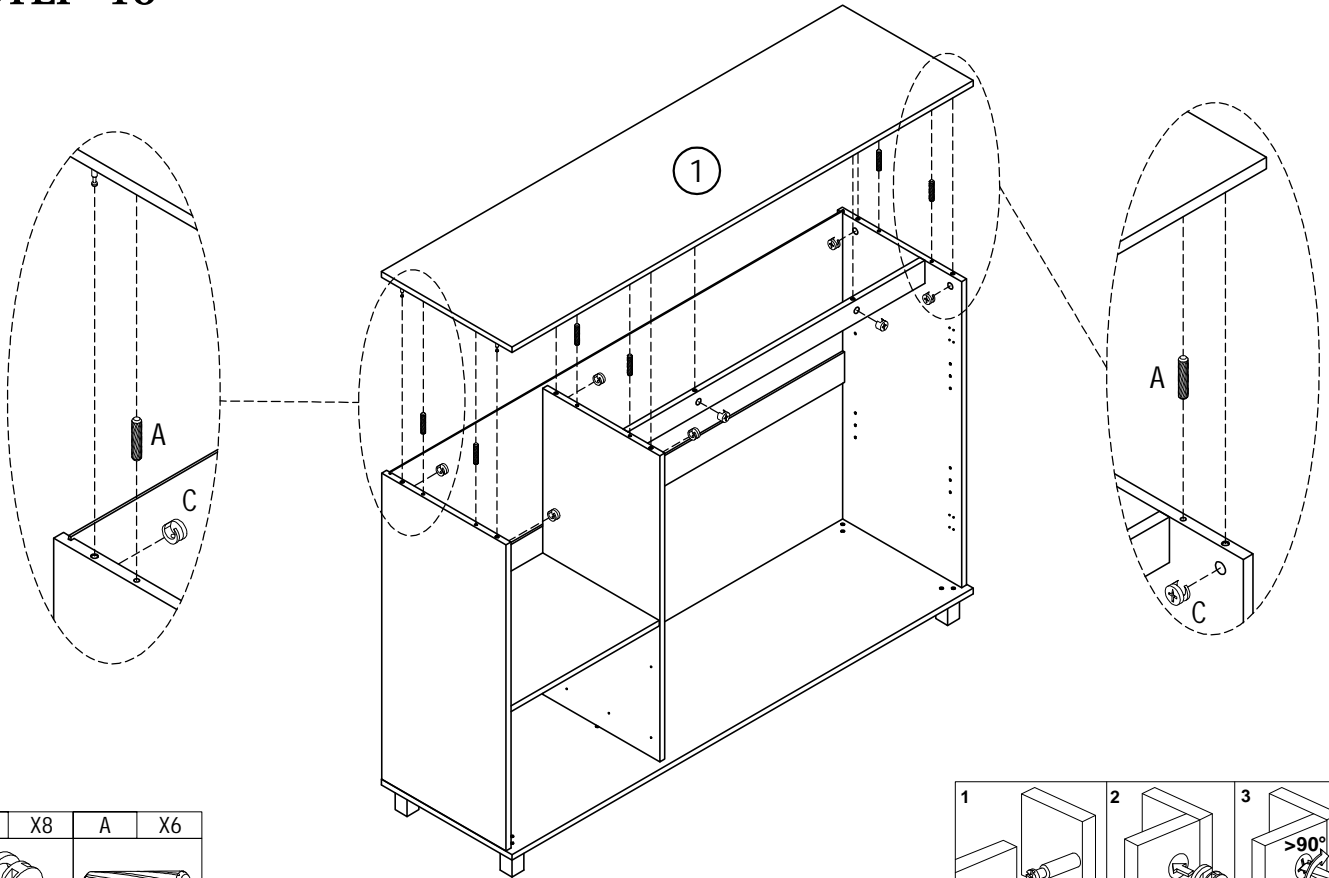


B	X8
	

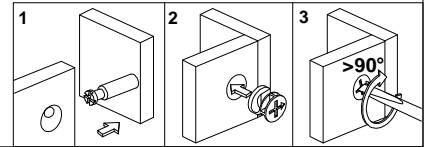


INSTALLATION

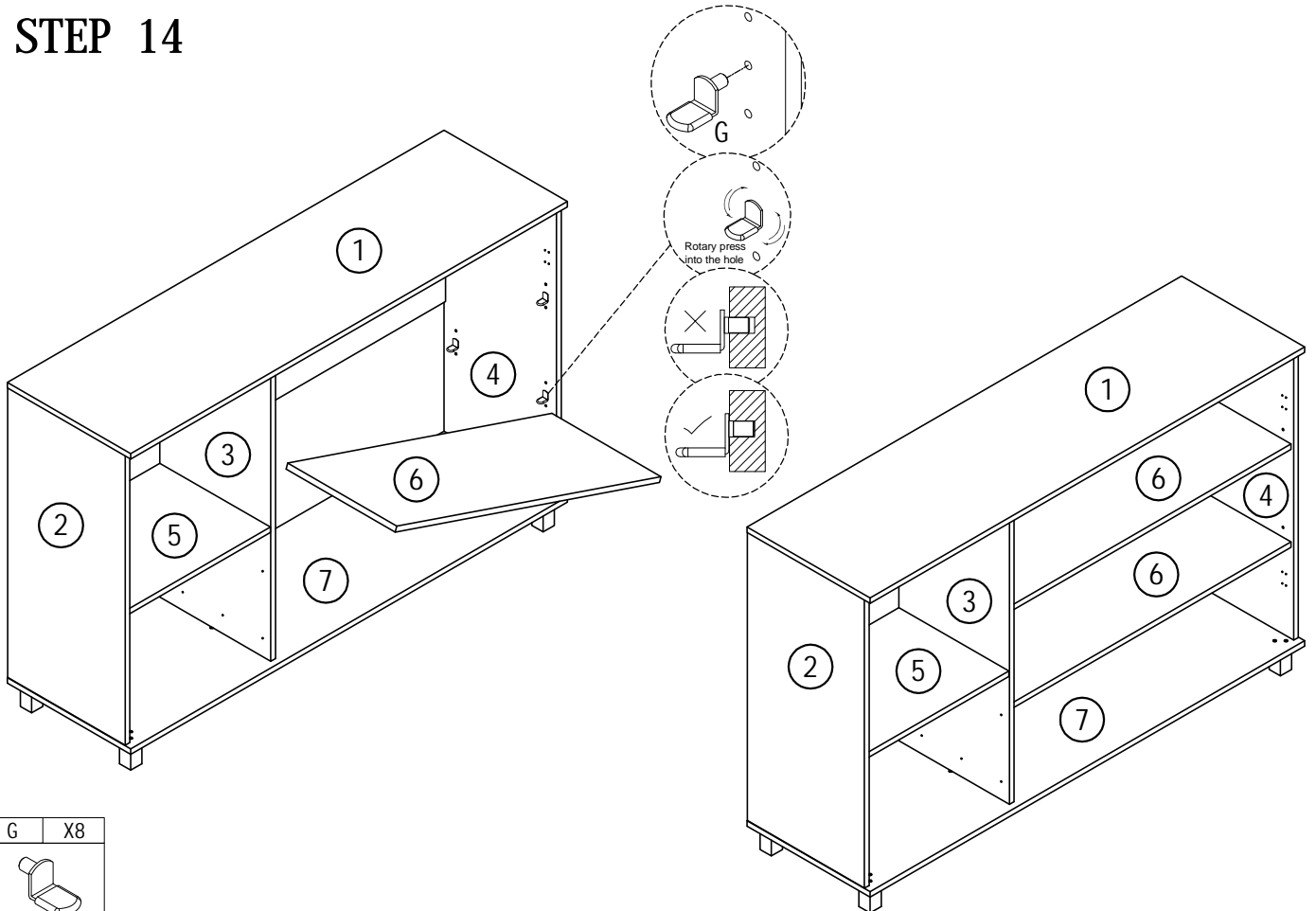
STEP 13



C	X8	A	X6



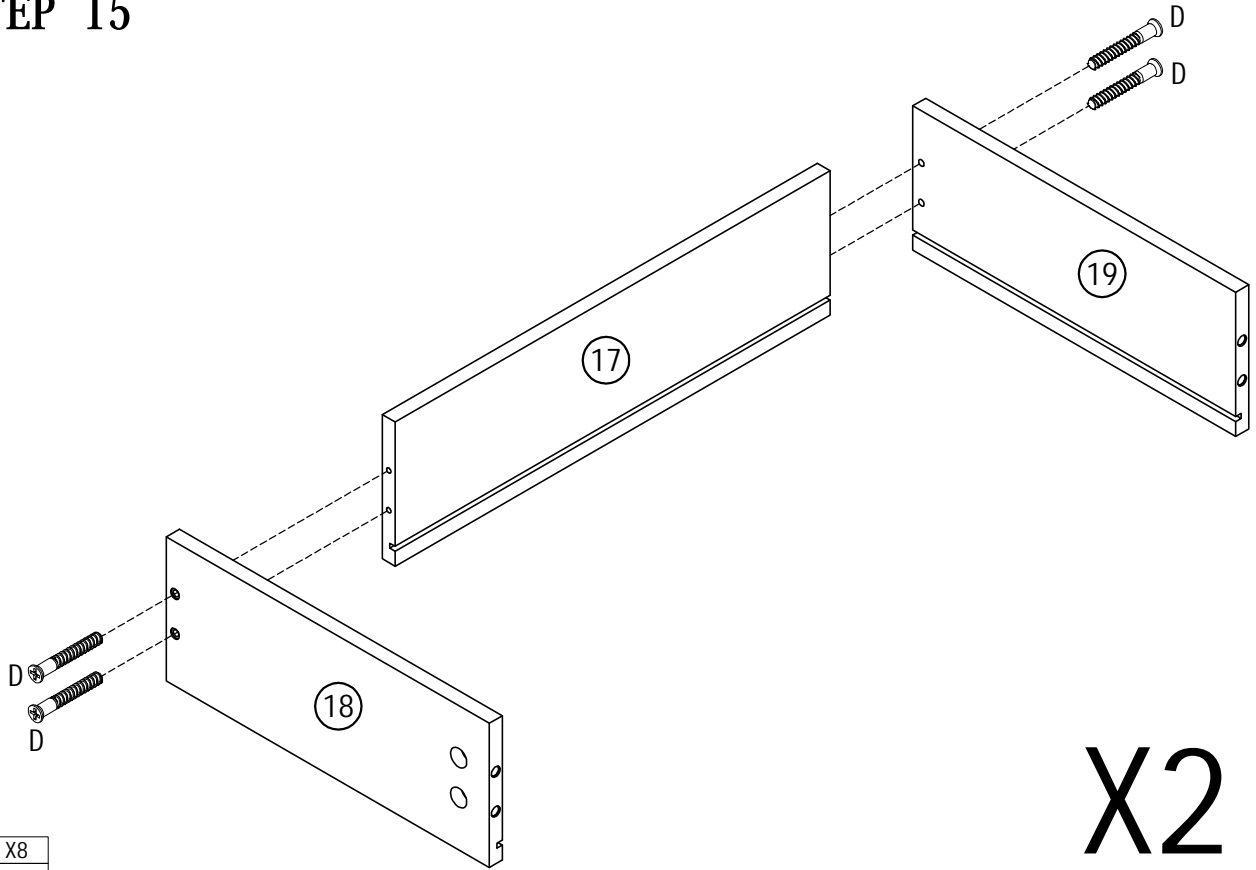
STEP 14



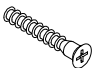
G	X8

INSTALLATION

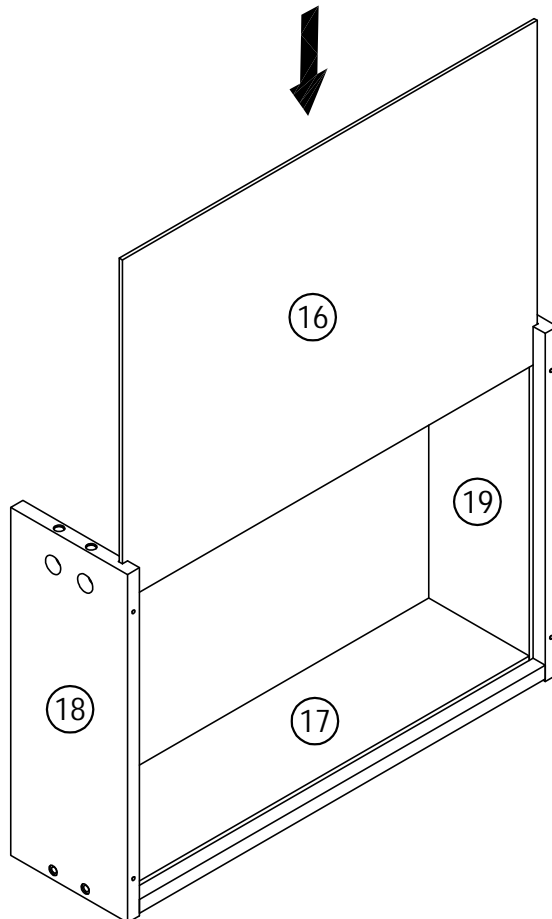
STEP 15



X2

D	X8
	

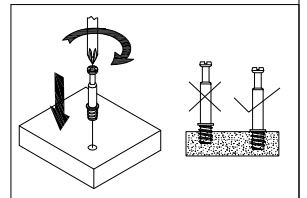
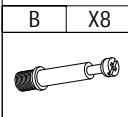
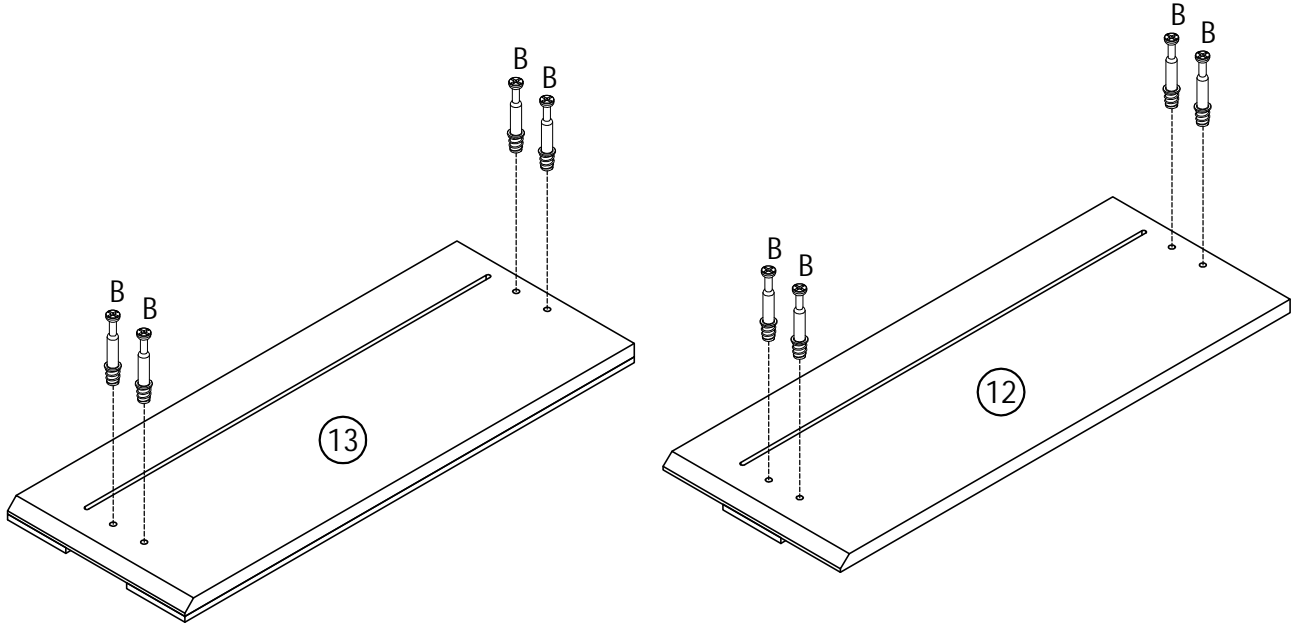
STEP 16



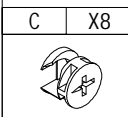
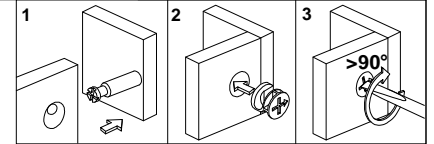
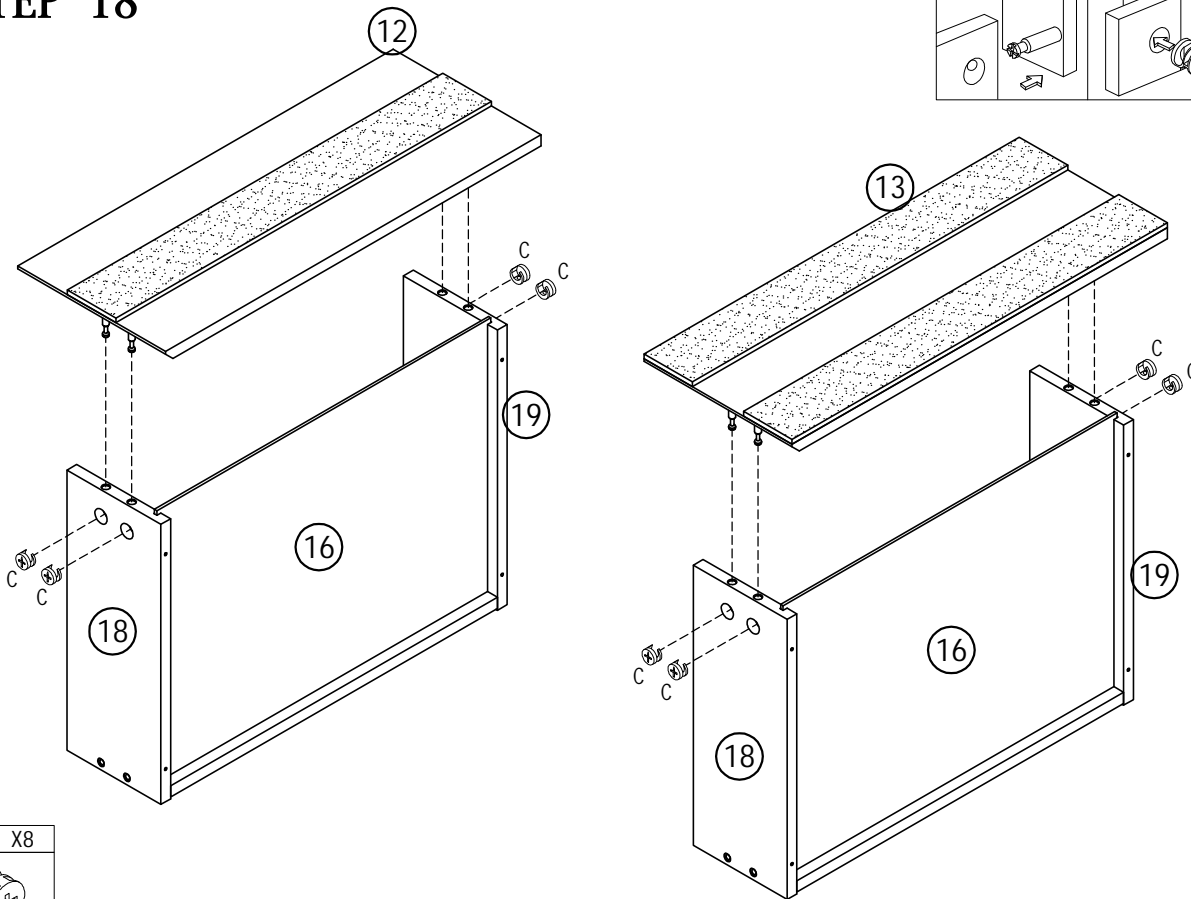
X2

INSTALLATION

STEP 17

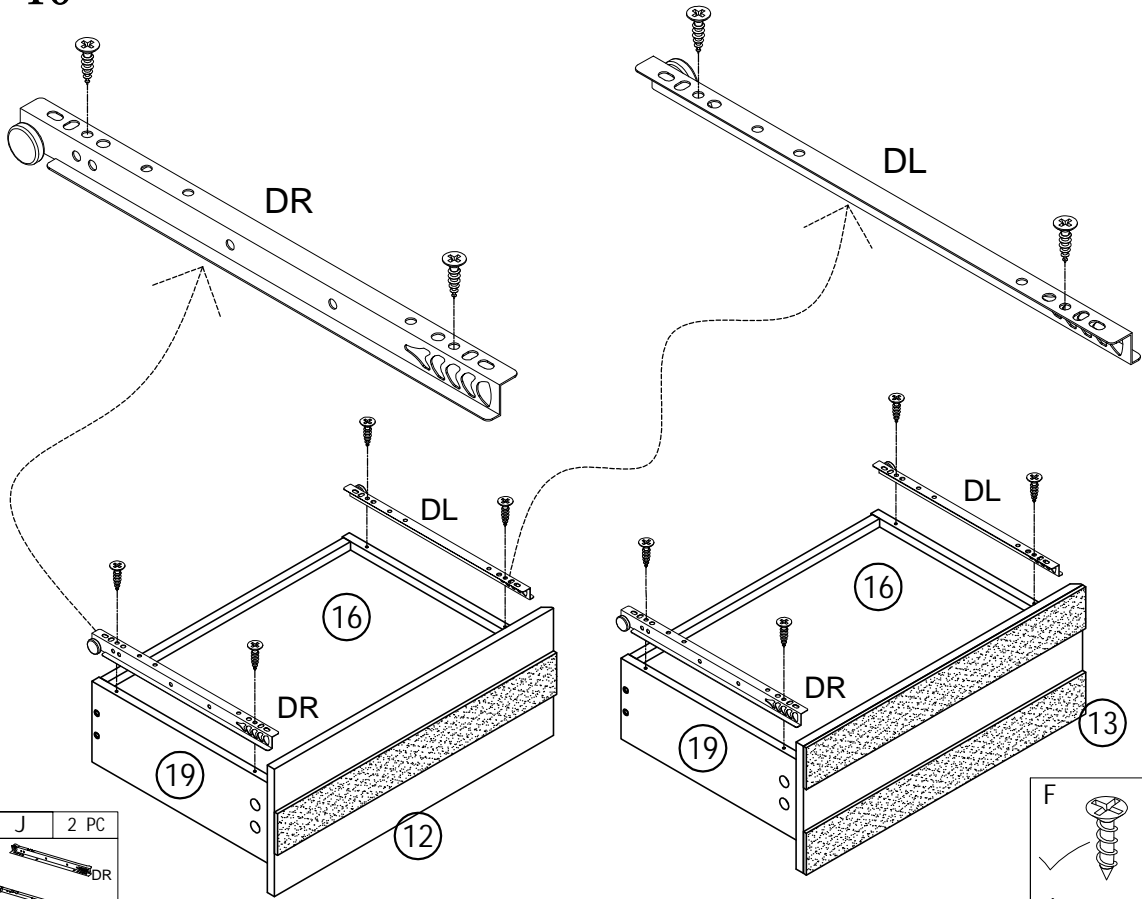


STEP 18



INSTALLATION

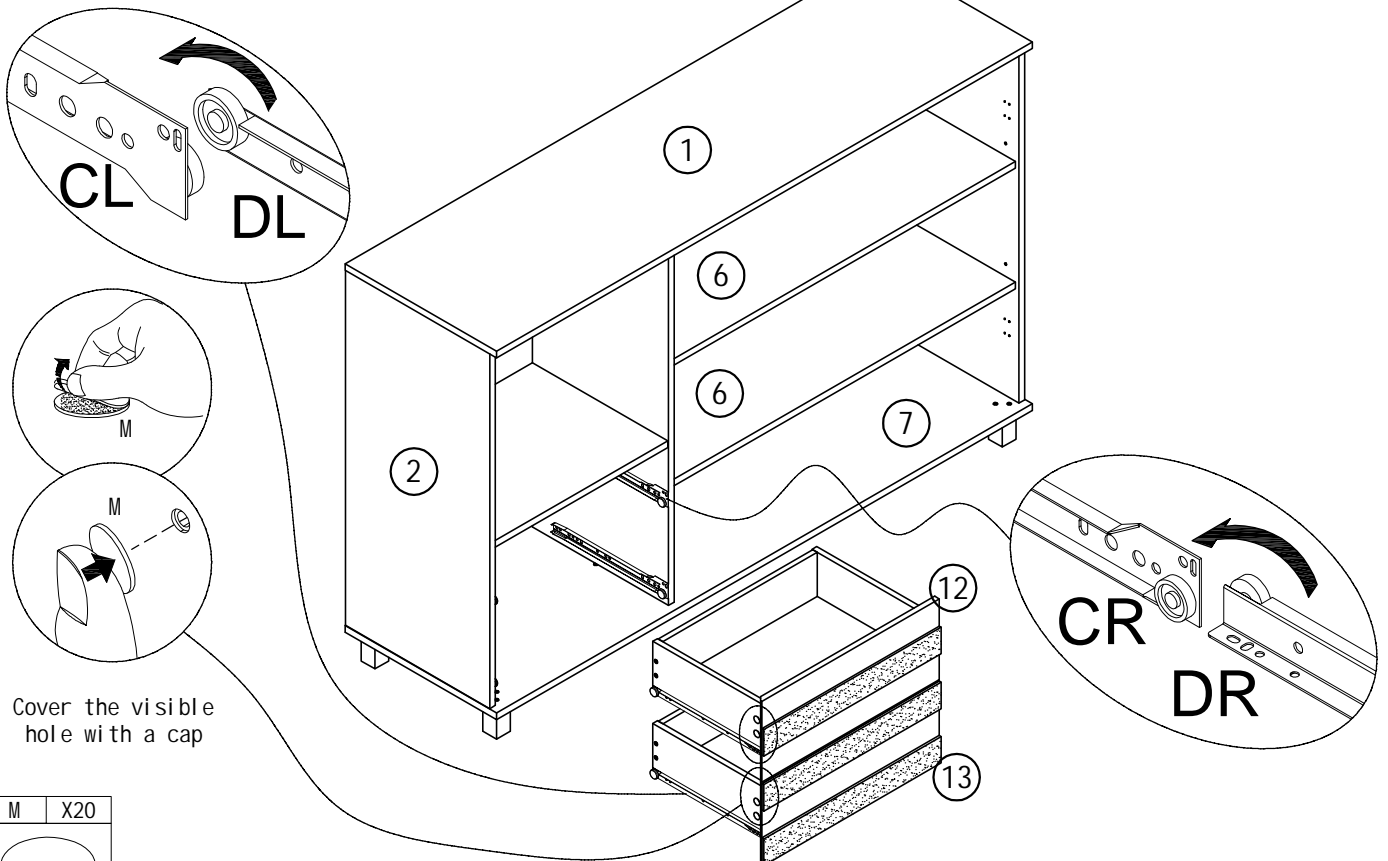
STEP 19



F	X8	J	2 PC
		DR	
		DL	

F		E	
✓		✗	
	Ø6xφ3x12		Ø6xφ3x16

STEP 20

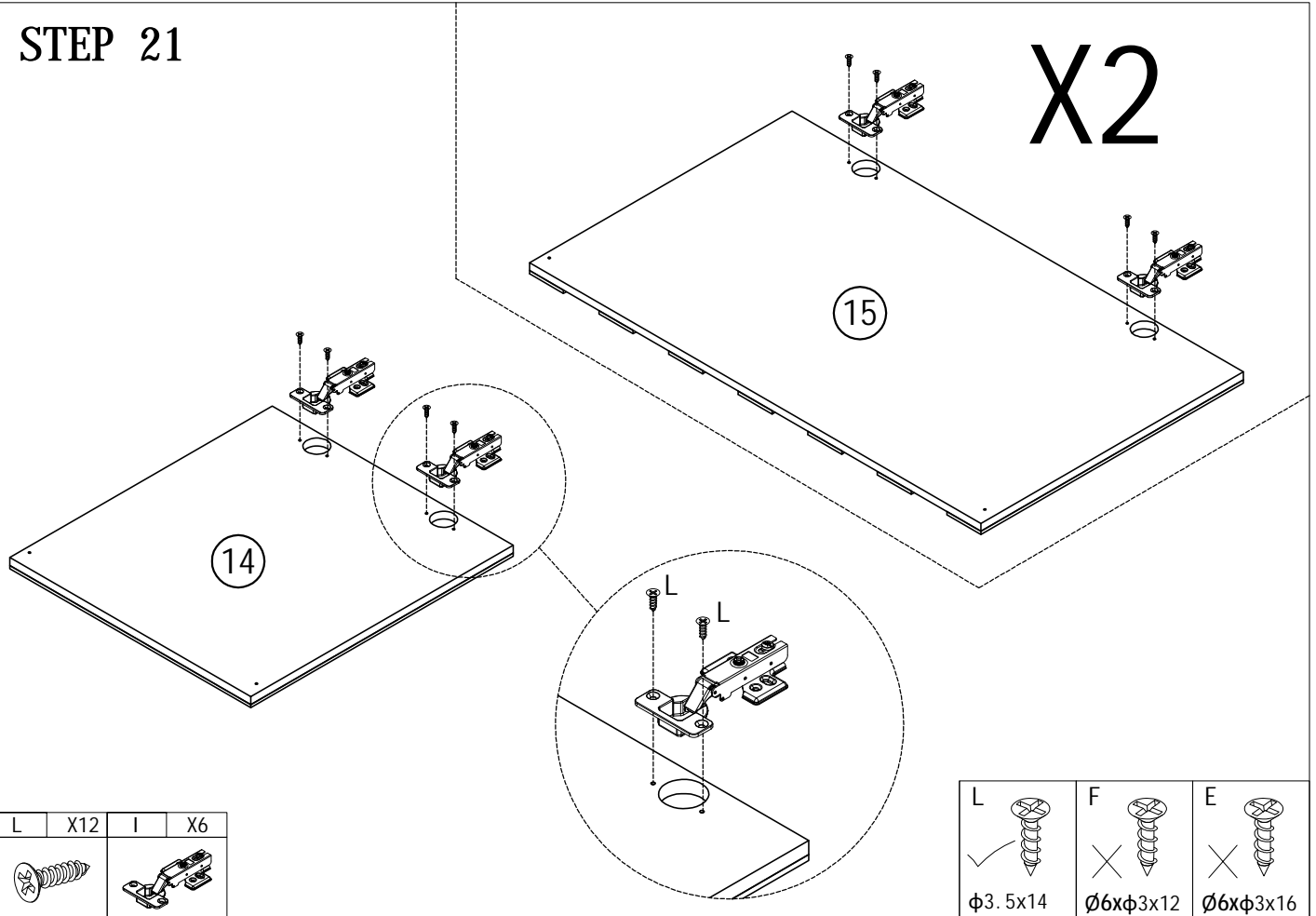


Cover the visible hole with a cap

M	X20

INSTALLATION

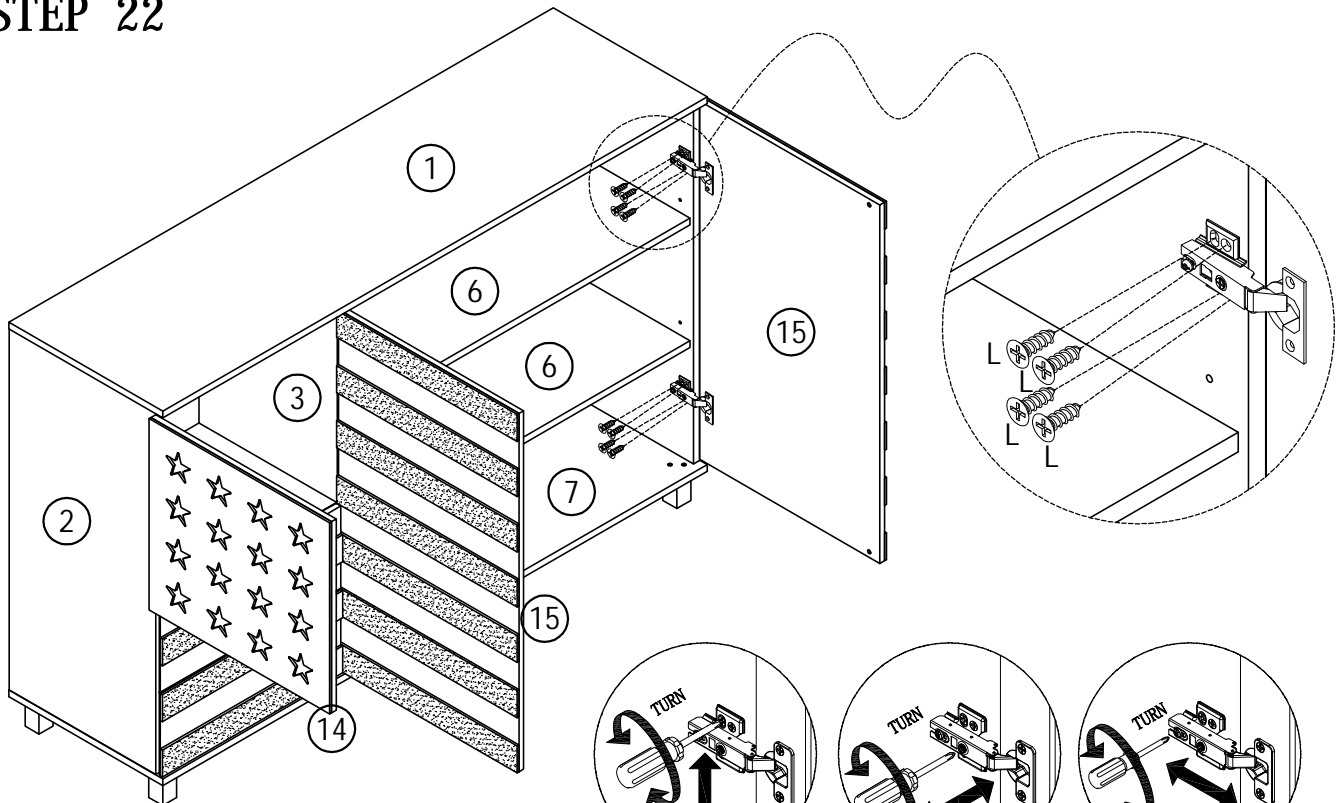
STEP 21



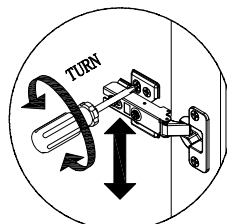
L	X12	I	X6

L	F	E
φ3.5x14	Ø6xφ3x12	Ø6xφ3x16

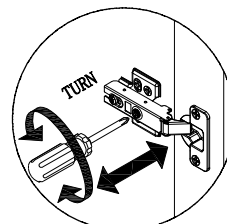
STEP 22



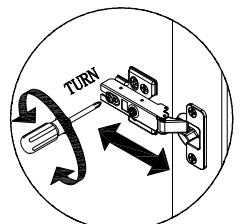
L	X24



Loosen this screw and push up/down for a slight up/down adjustment of the door.



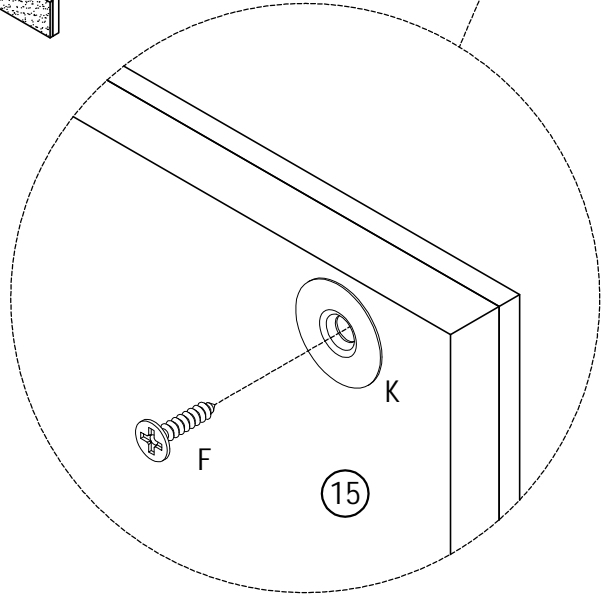
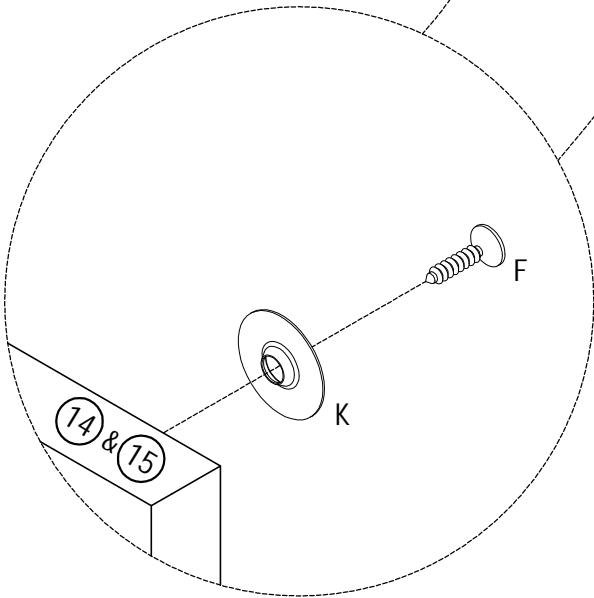
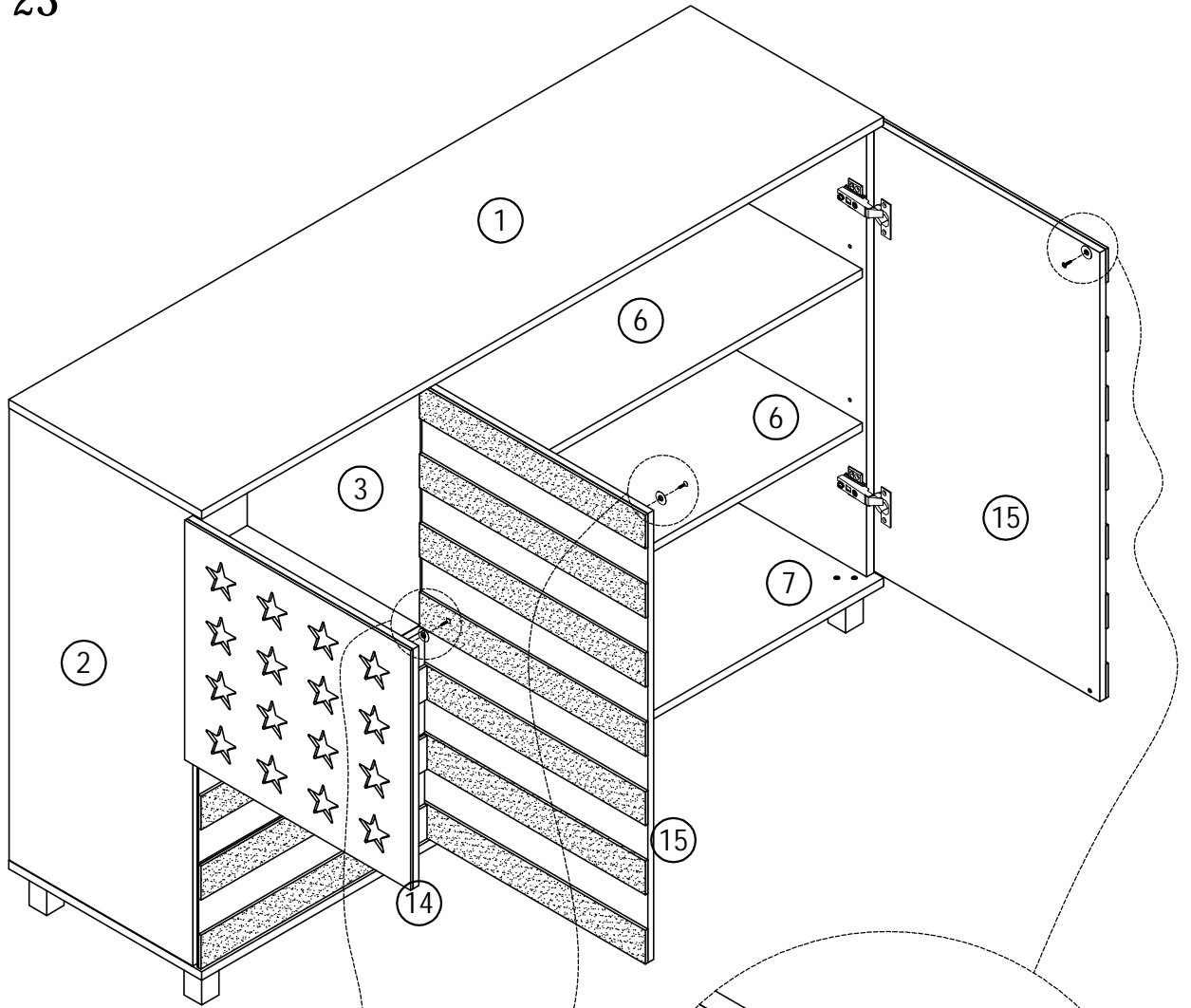
Loosen this screw for a slight left-right adjustment of the door.







Loosen this screw and push forward/backward for a slight front-back adjustment of the door.

INSTALLATION

STEP 23

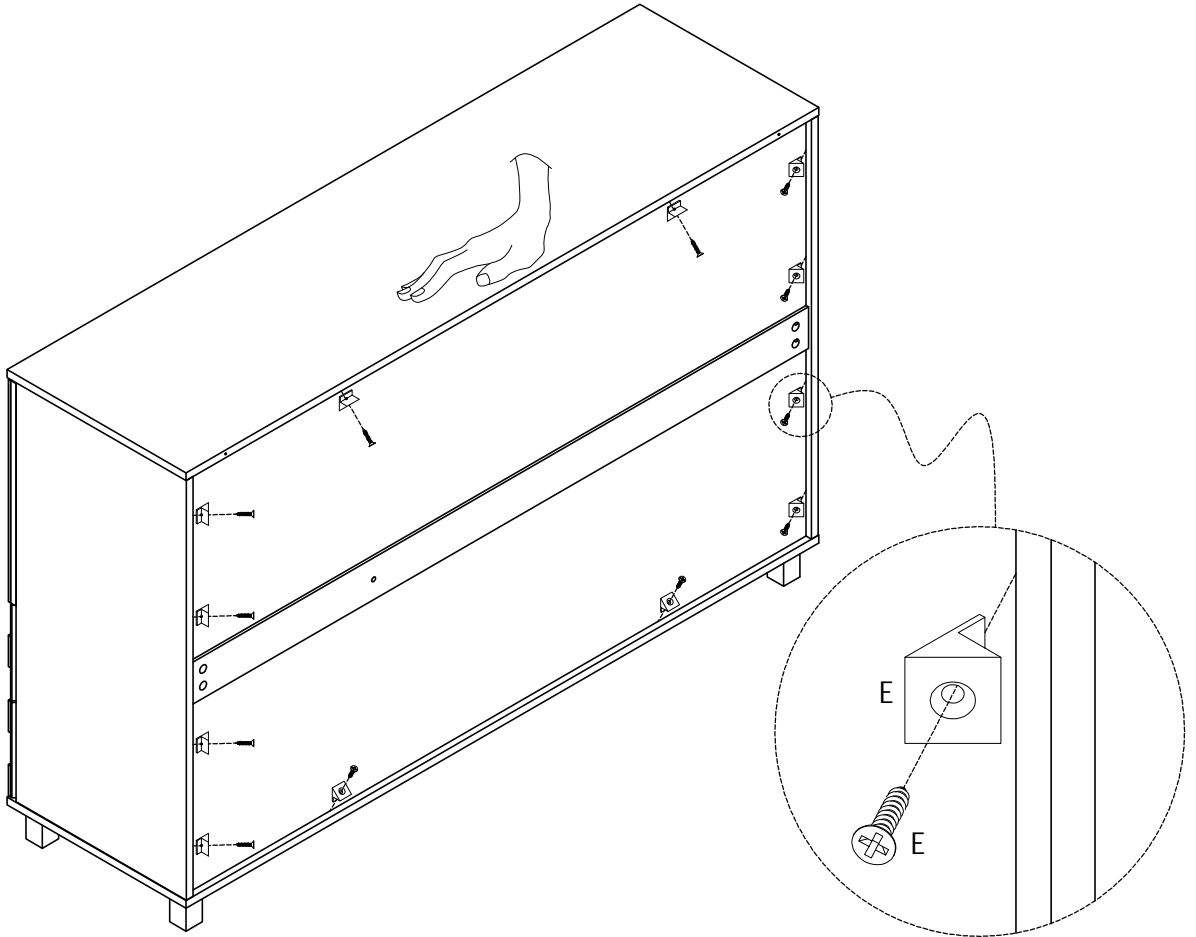


K	X3	F	X3
			

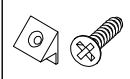
F		E	
<input checked="" type="checkbox"/>		<input type="checkbox"/>	
	Ø6xØ3x12		Ø6xØ3x16

INSTALLATION

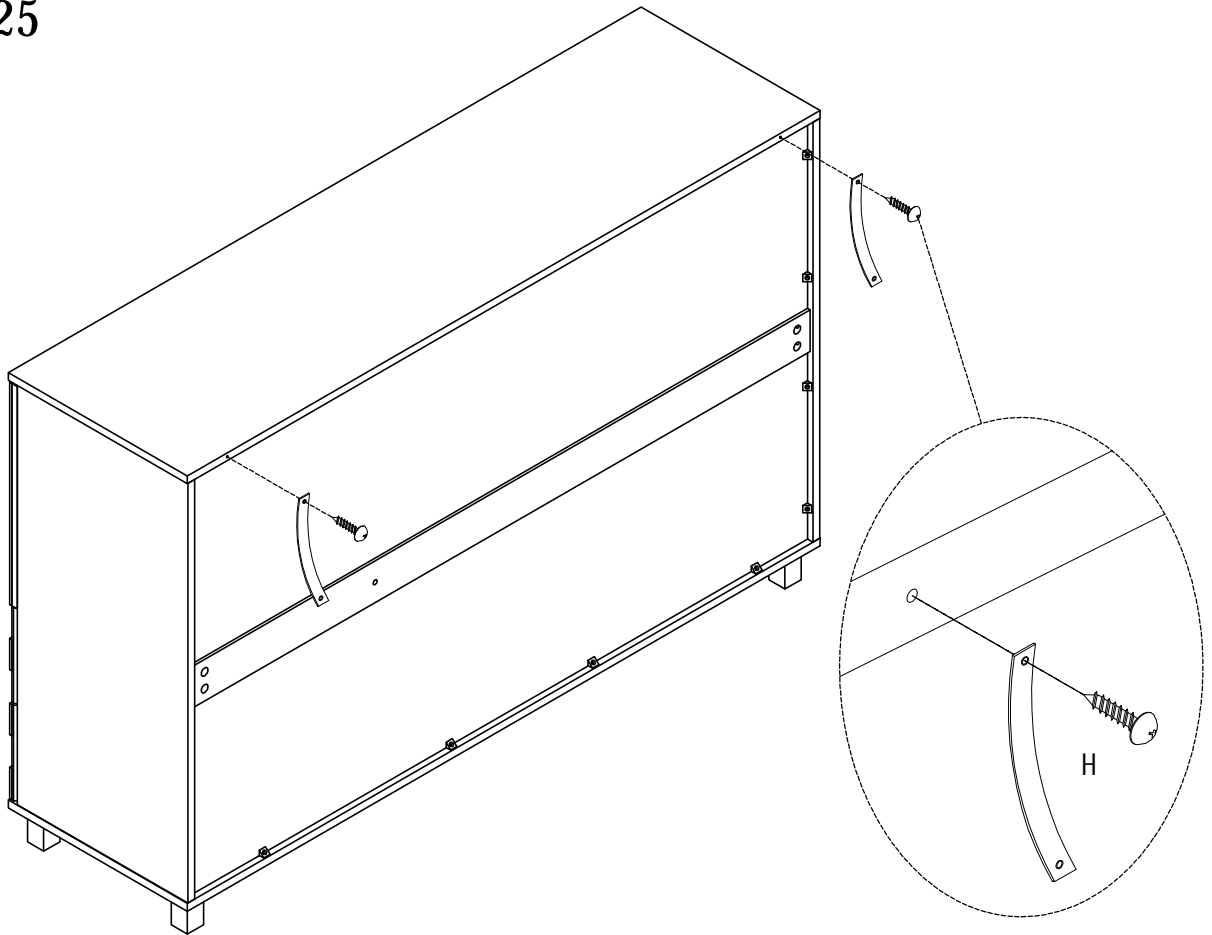
STEP 24



E X12



STEP 25



H X2



INSTALLATION

STEP 26

The cabinet must be permanently fixed to the wall
Equipped with an anti-tipping device to prevent
cabinet don't tip over

Mark the position of the drill on the wall with a
pencil.

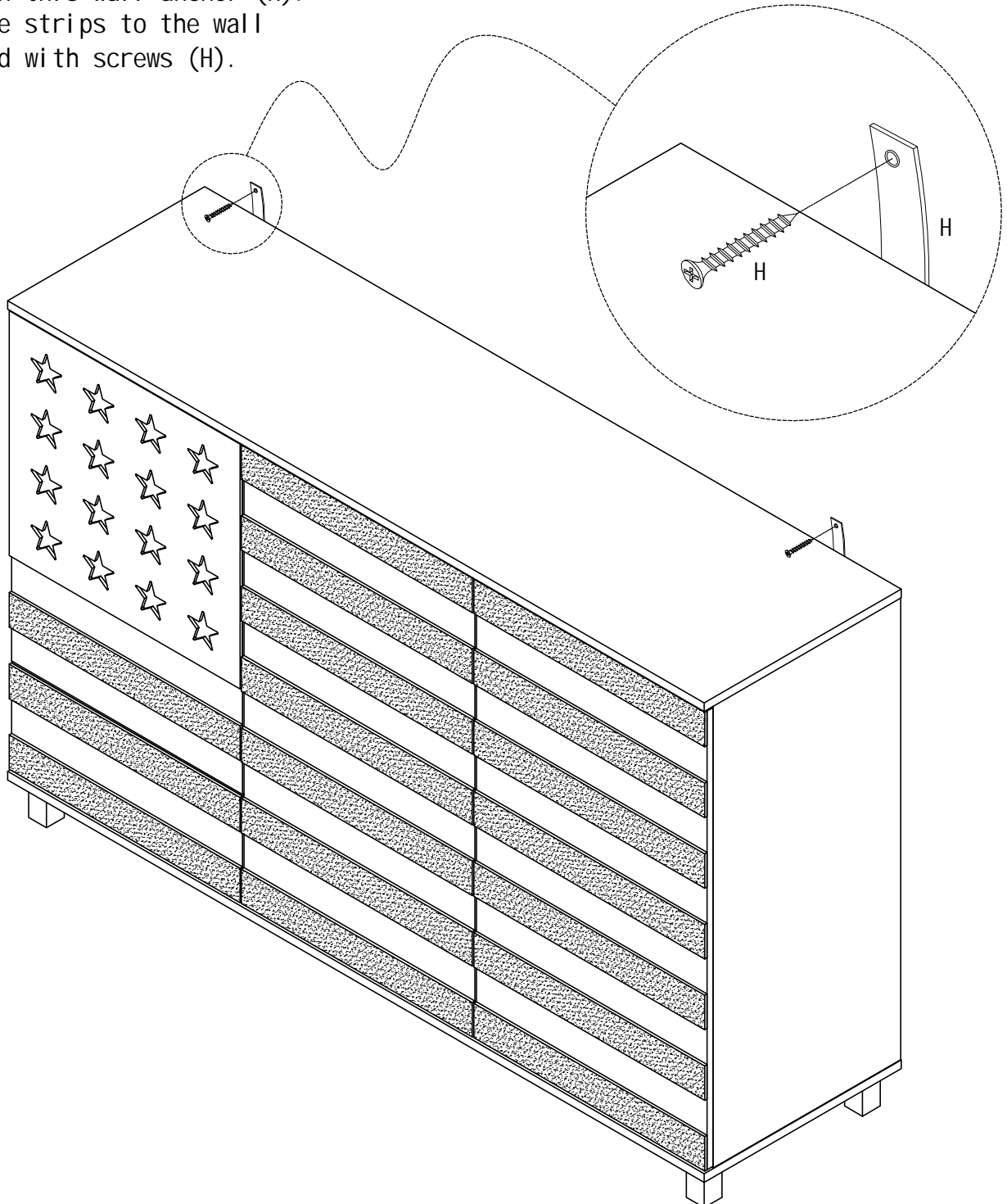
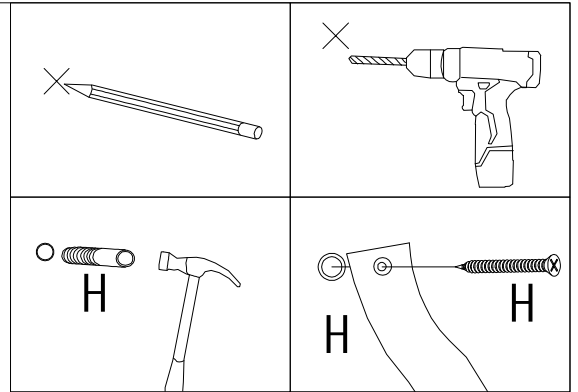
Drill holes at the marked locations with a drill
bit.

Insert the wall anchor (H) gently into the hole

Knock in this wall anchor (H).

Lock the strips to the wall

Equipped with screws (H).



H	X2
