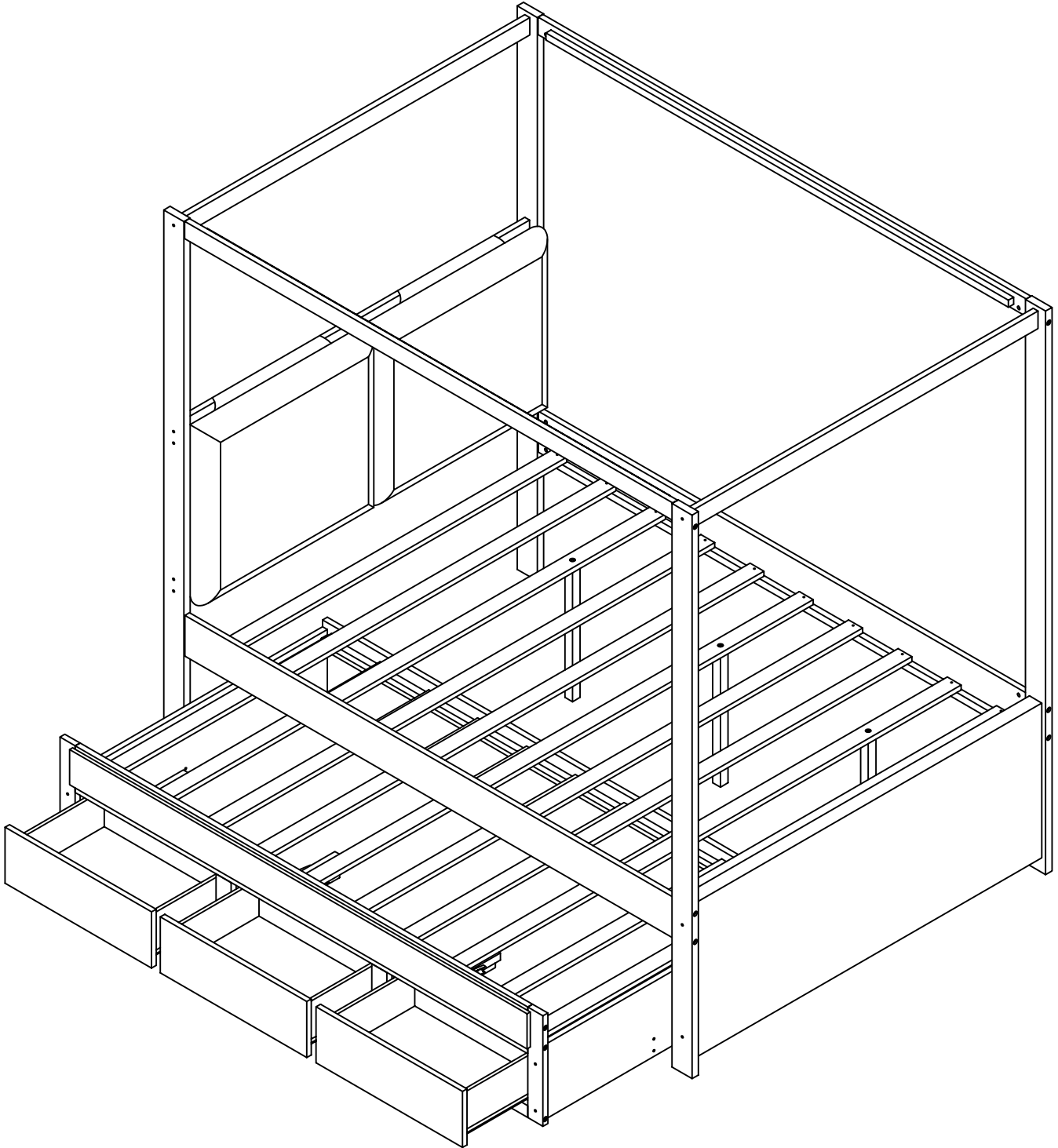
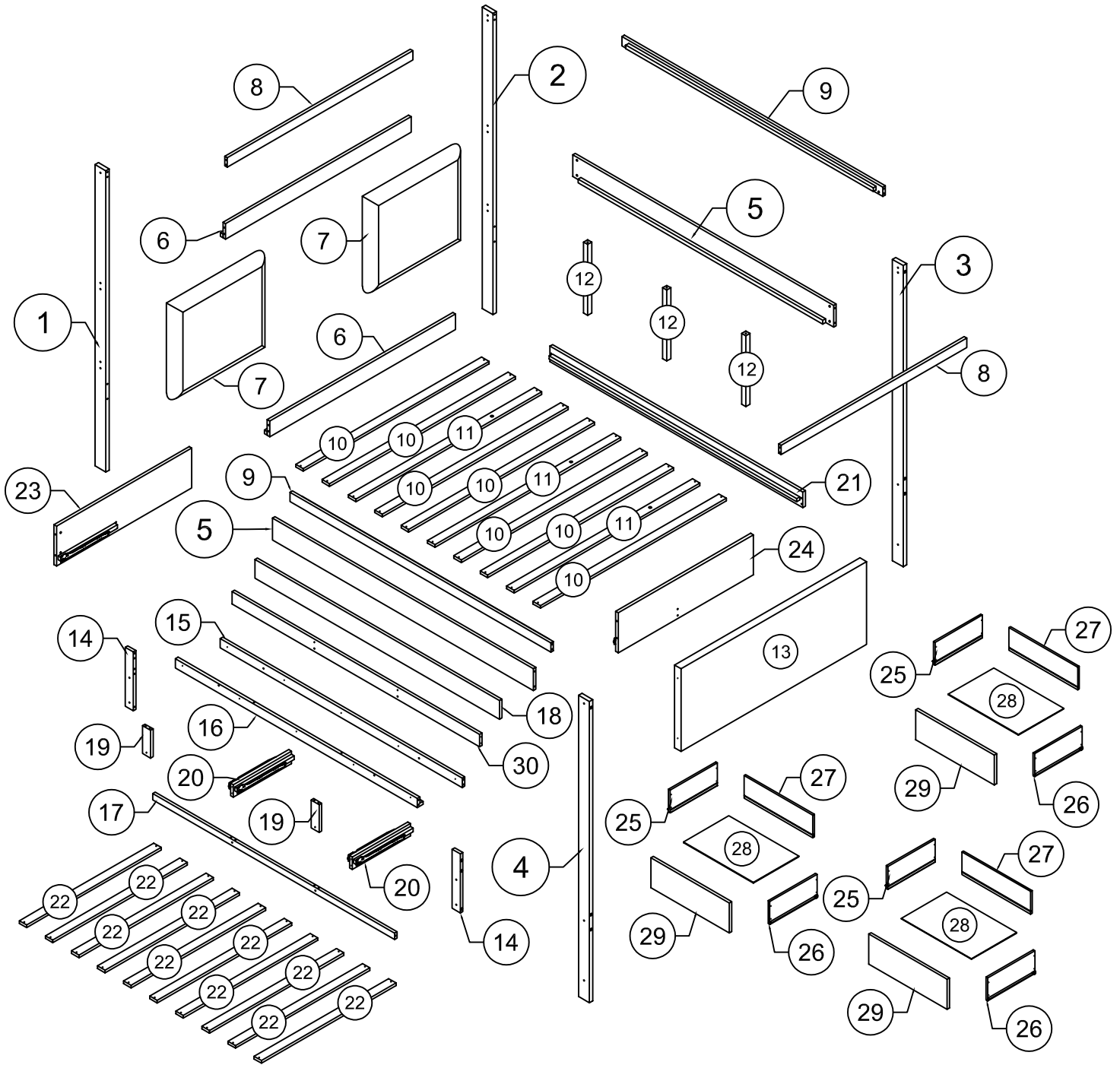


ASSEMBLY INSTRUCTION

SKU CODE: (WF308481-WF308482)



ASSEMBLY INSTRUCTION

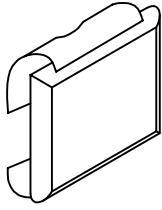


! SAFETY WARNINGS !

1. This bed is designed for use FULL Mattress 76 inch Long 54 inch Wide and TWIN Mattress 76 inch Long 39 inch Wide.
2. Always use the recommended size mattresses or mattress supports, or both, to help prevent the likelihood of entrapment or falls.
3. Do not allow horseplay on or under the bed and prohibit jumping on the bed
4. Do not use substitute parts. Contact the manufacturer or dealer for replacement parts.
5. Keep these instructions for future reference

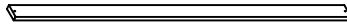
Part list (WF308481)

7



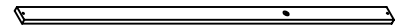
Backrest pillow - 2pcs

10



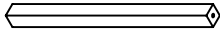
Slats - 7pcs

11



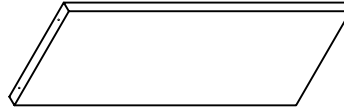
Slats - 3pcs

12



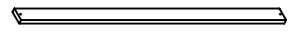
Support legs - 3pcs

13



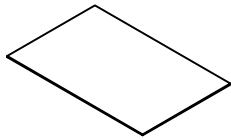
Foot board - 1pcs

22



Slats - 10pcs

28



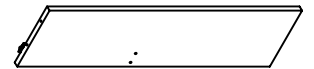
Drawers - Bottom panels - 3pcs

23



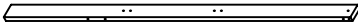
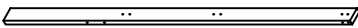
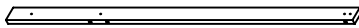
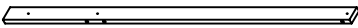


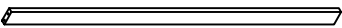


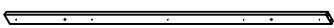
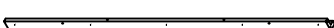


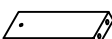


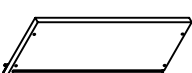
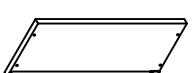
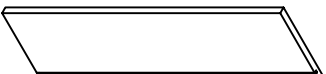


Side trundle left- 1pcs

24



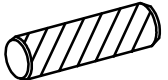


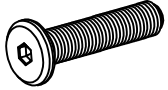
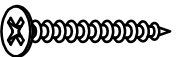

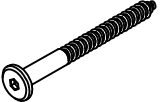
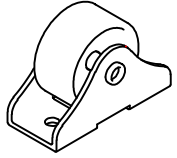
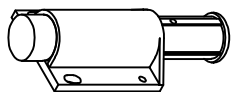



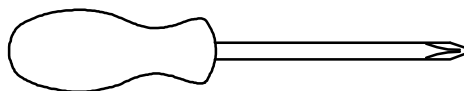
Side trundle right- 1pcs

Part list (WF308482)

| | | |
|--|--|--|
| <p>1</p>  <p>Left front pillar - 1pcs</p> | <p>2</p>  <p>Left back pillar - 1pcs</p> | <p>3</p>  <p>Right back pillar - 1pcs</p> |
| <p>4</p>  <p>Right front pillar - 1pcs</p> | <p>5</p>  <p>Side panels - 2pcs</p> | <p>6</p>  <p>Crossbar - 2pcs</p> |
| <p>8</p>  <p>Crossbar - 2pcs</p> | <p>9</p>  <p>Link crossbar pillar - 2pcs</p> | <p>14</p>  <p>Trundle legs - 2pcs</p> |
| <p>15</p>  <p>Crossbar trundle - 1pcs</p> | <p>16</p>  <p>Crossbar trundle - 1pcs</p> | <p>17</p>  <p>Crossbar trundle - 1pcs</p> |
| <p>18</p>  <p>Fake drawer face - 1pcs</p> | <p>19</p>  <p>Vertical bar - 1pcs</p> | <p>20</p>  <p>Mount rails - 2pcs</p> |
| <p>21</p>  <p>Link side trundle - 1pcs</p> | <p>25</p>  <p>Drawers - Side panels - 3pcs</p> | <p>26</p>  <p>Drawers - Side panels - 3pcs</p> |
| <p>27</p>  <p>Drawers - Back panels - 3pcs</p> | <p>29</p>  <p>Drawers - Font panels - 3pcs</p> | <p>30</p>  <p>Crossbar trundle - 1pcs</p> |

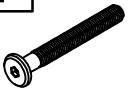

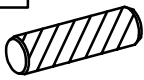
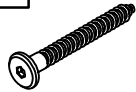
Hardware list (WF308482)

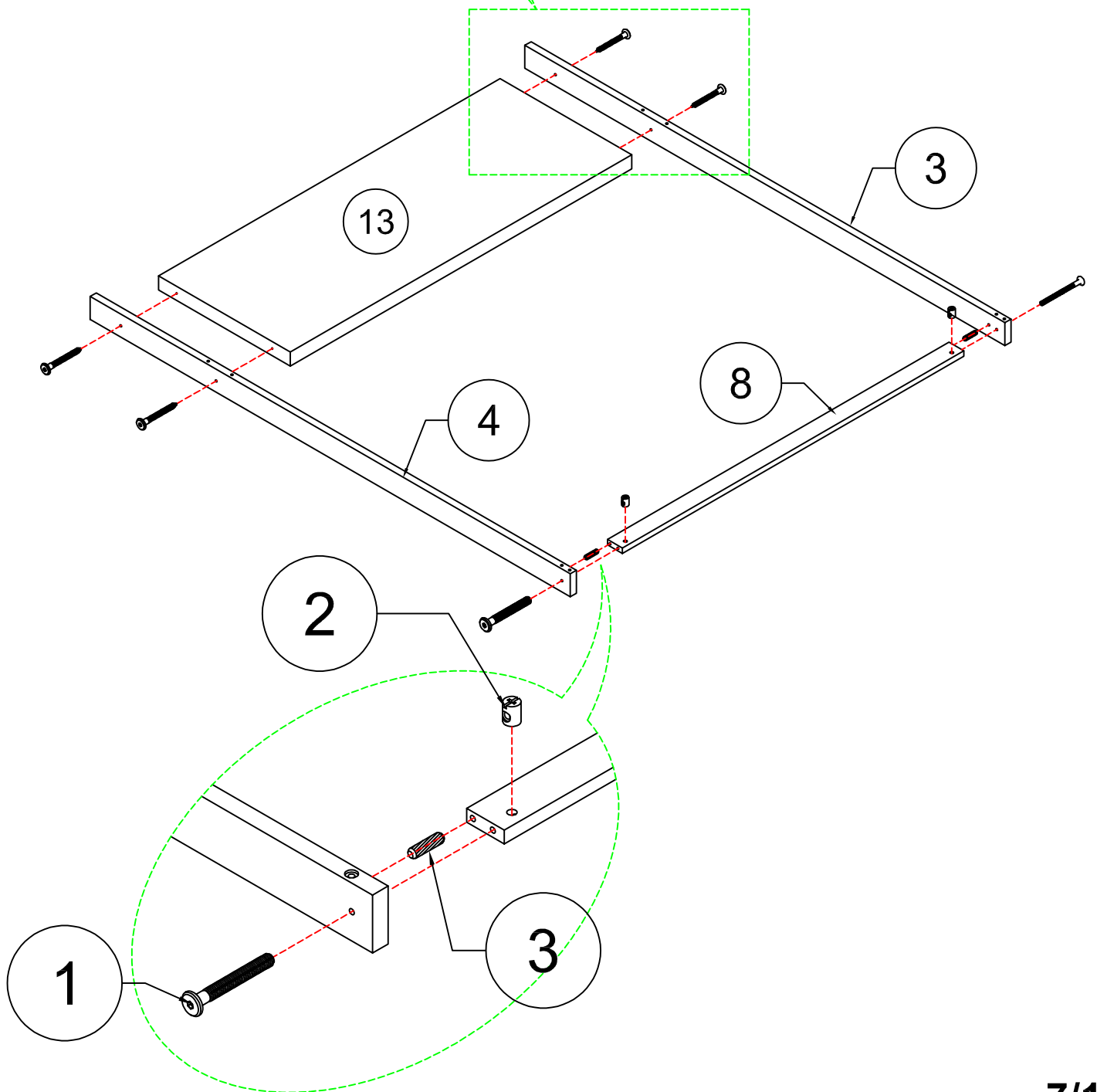
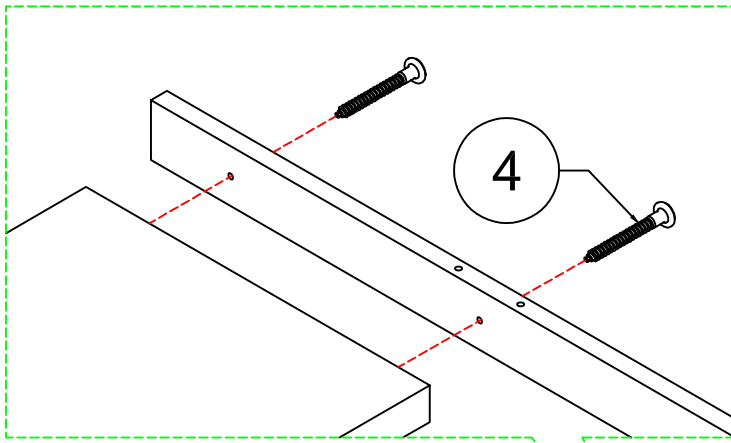
| | | |
|---|--|--|
| <p>1</p>  <p>1/4" x 60mm Hex-Head bolts 16pcs</p> | <p>2</p>  <p>Ø11.5 x 15 mm Horizontal-Hole bolts 34pcs</p> | <p>3</p>  <p>Ø10 x 30 mm Wood dowel 20pcs</p> |
| <p>4</p>  <p>Ø1/4" x 60 mm Wood Screws 22pcs</p> | <p>5</p>  <p>1/4" x 100mm Hex-Head bolts 18pcs</p> | <p>6</p>  <p>1/4" x 30mm Hex-Head bolts 3pcs</p> |
| <p>7</p>  <p>M4 x 30 mm Wood Screws 74pcs</p> | <p>8</p>  <p>M4 x 20 mm Wood Screws 20pcs</p> | <p>9</p>  <p>Ø1/4" x 90 mm Wood Screws 2pcs</p> |
| <p>10</p>  <p>Wheels - 4pcs</p> | <p>11</p>  <p>Open latch - 3pcs</p> | <p>12</p>  <p>Allen key - 1pcs</p> |



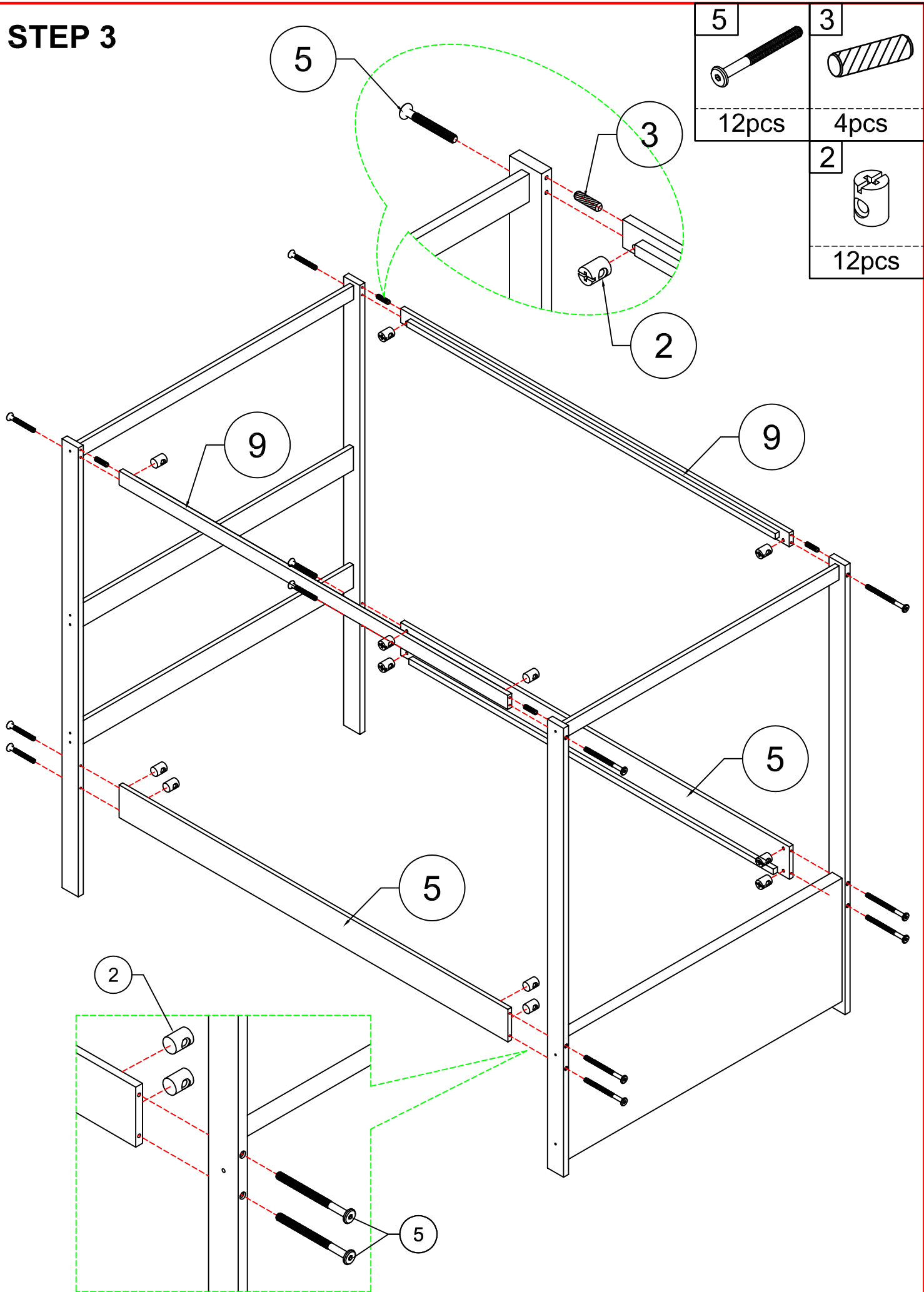
Assembly Tools Required (Not Included)

STEP 2

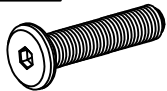
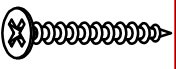
| | | | |
|------|---|------|---|
| 1 |  | 2 |  |
| 2pcs | | 2pcs | |
| 3 |  | 4 |  |
| 2pcs | | 4pcs | |

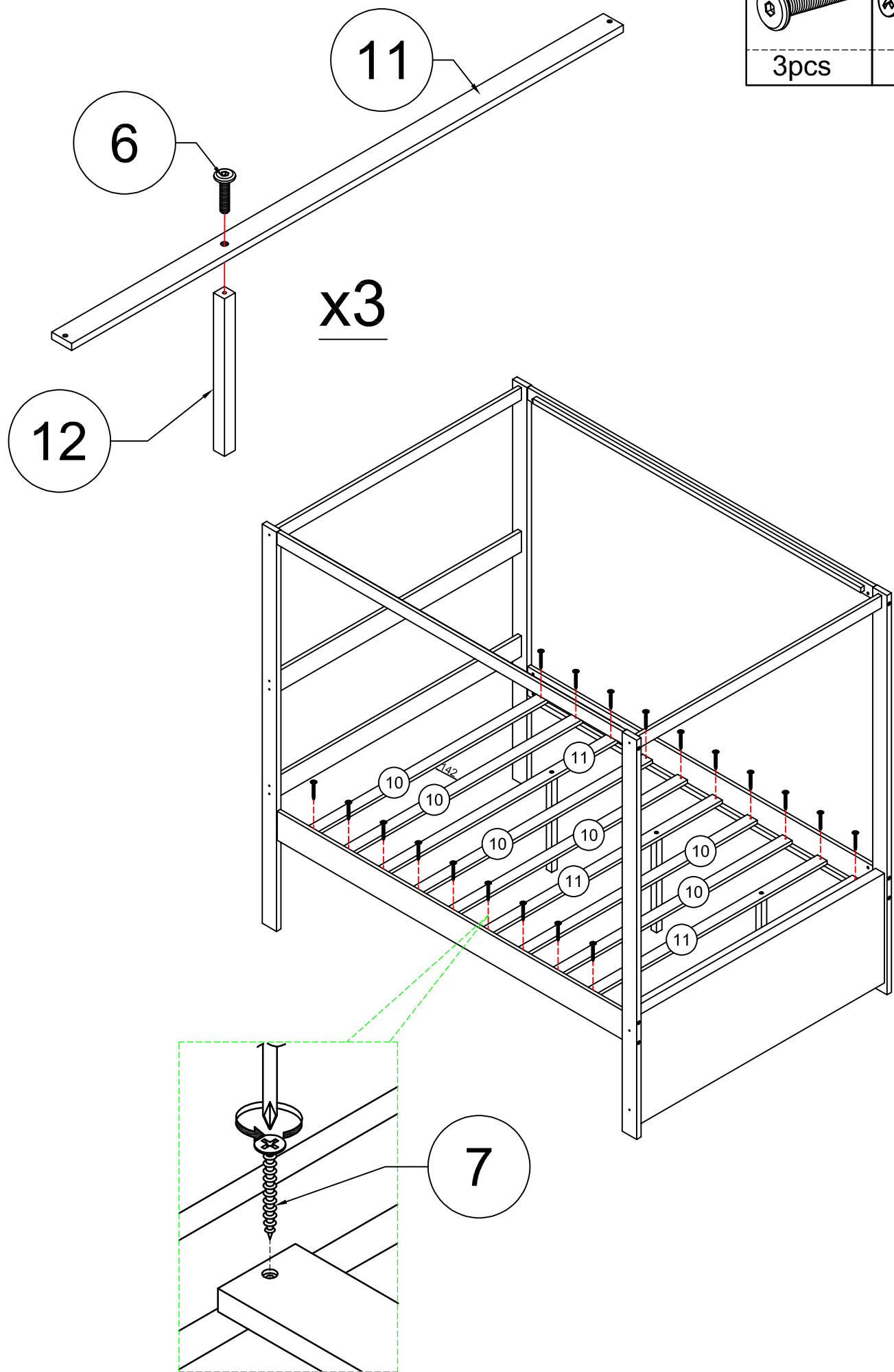


STEP 3

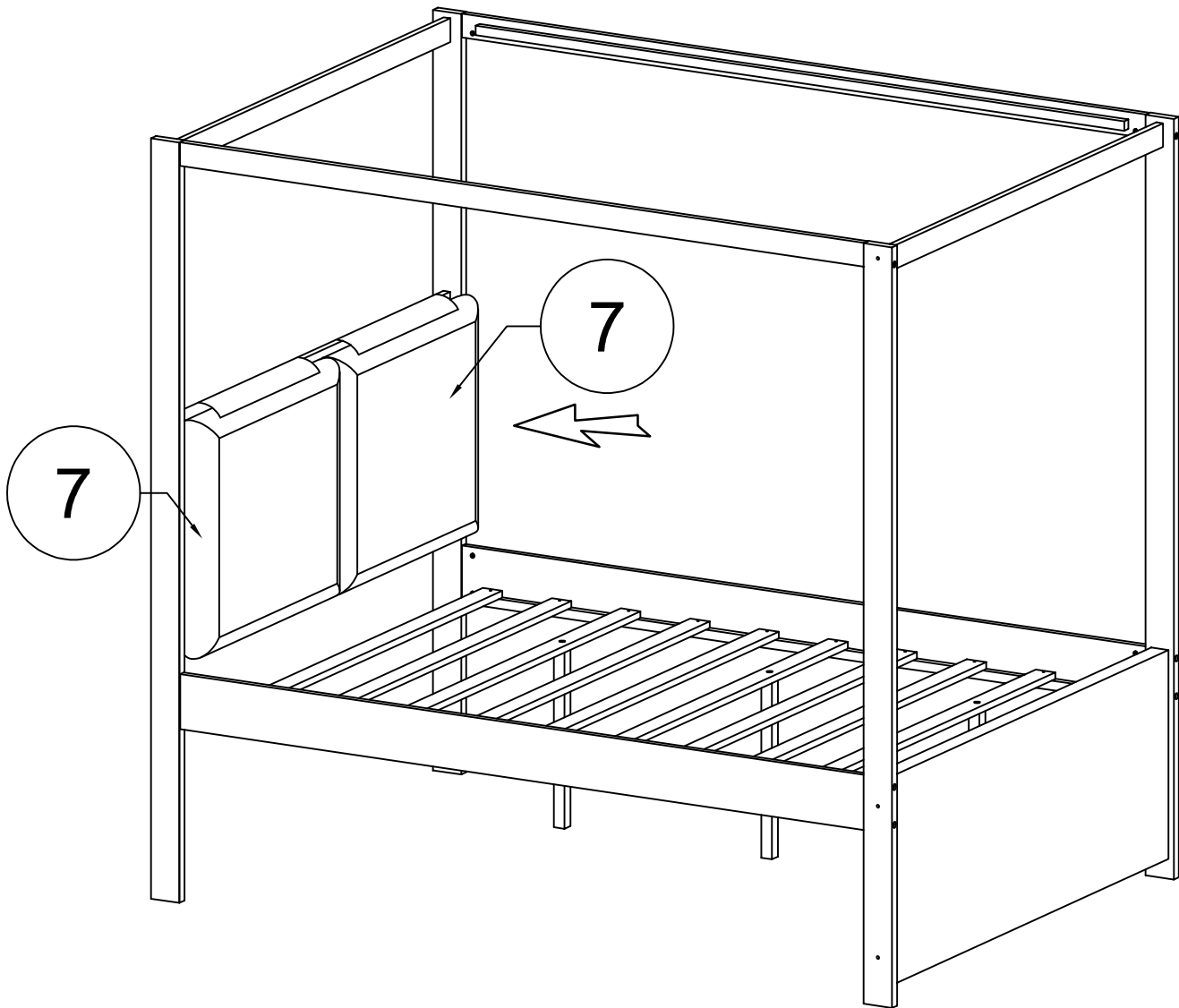


STEP 4


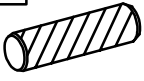
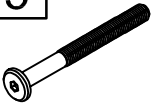
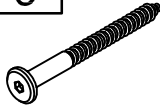

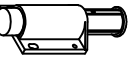
| | |
|--|---|
| 6 | 7 |
|  |  |
| 3pcs | 20pcs |

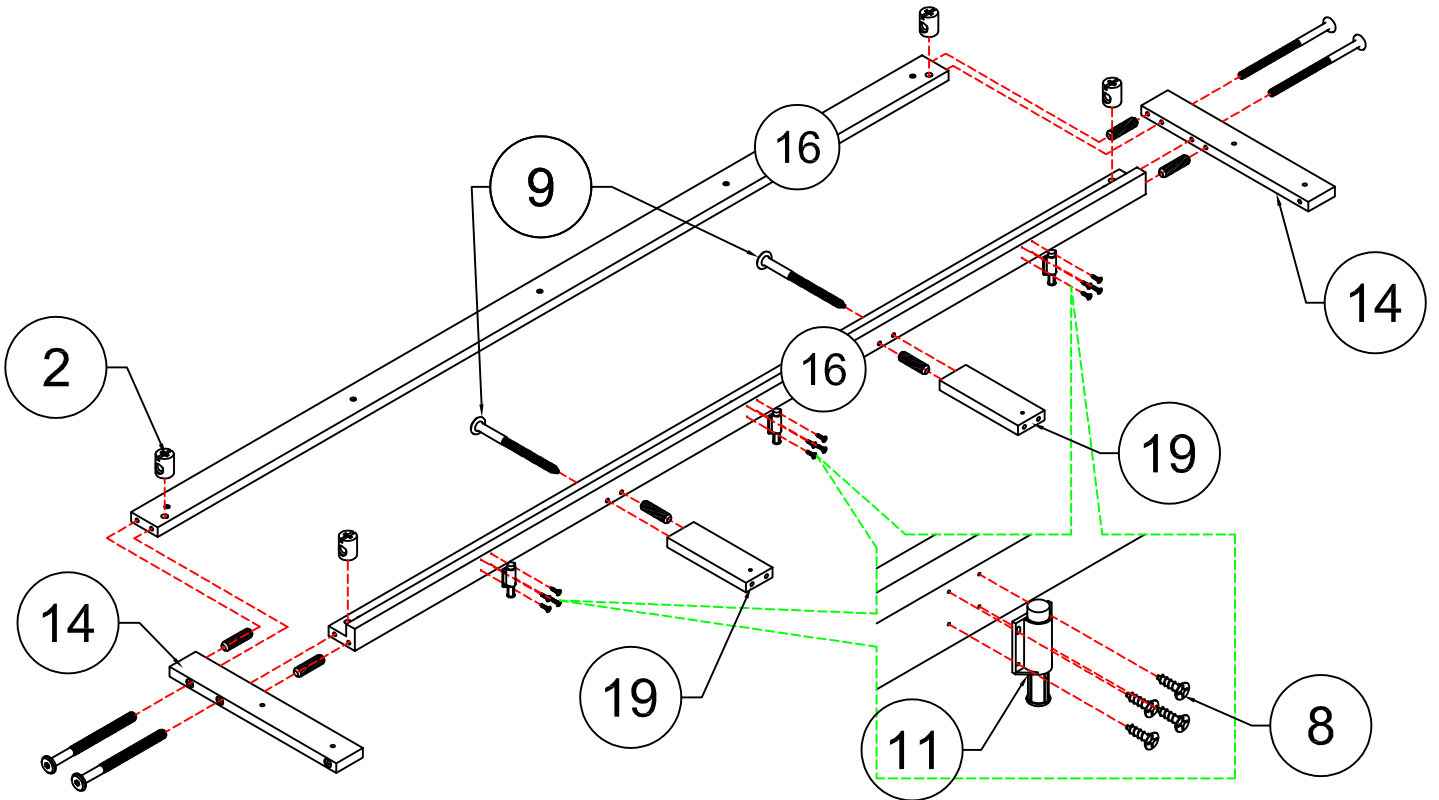


STEP 5


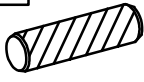
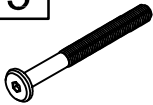
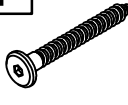


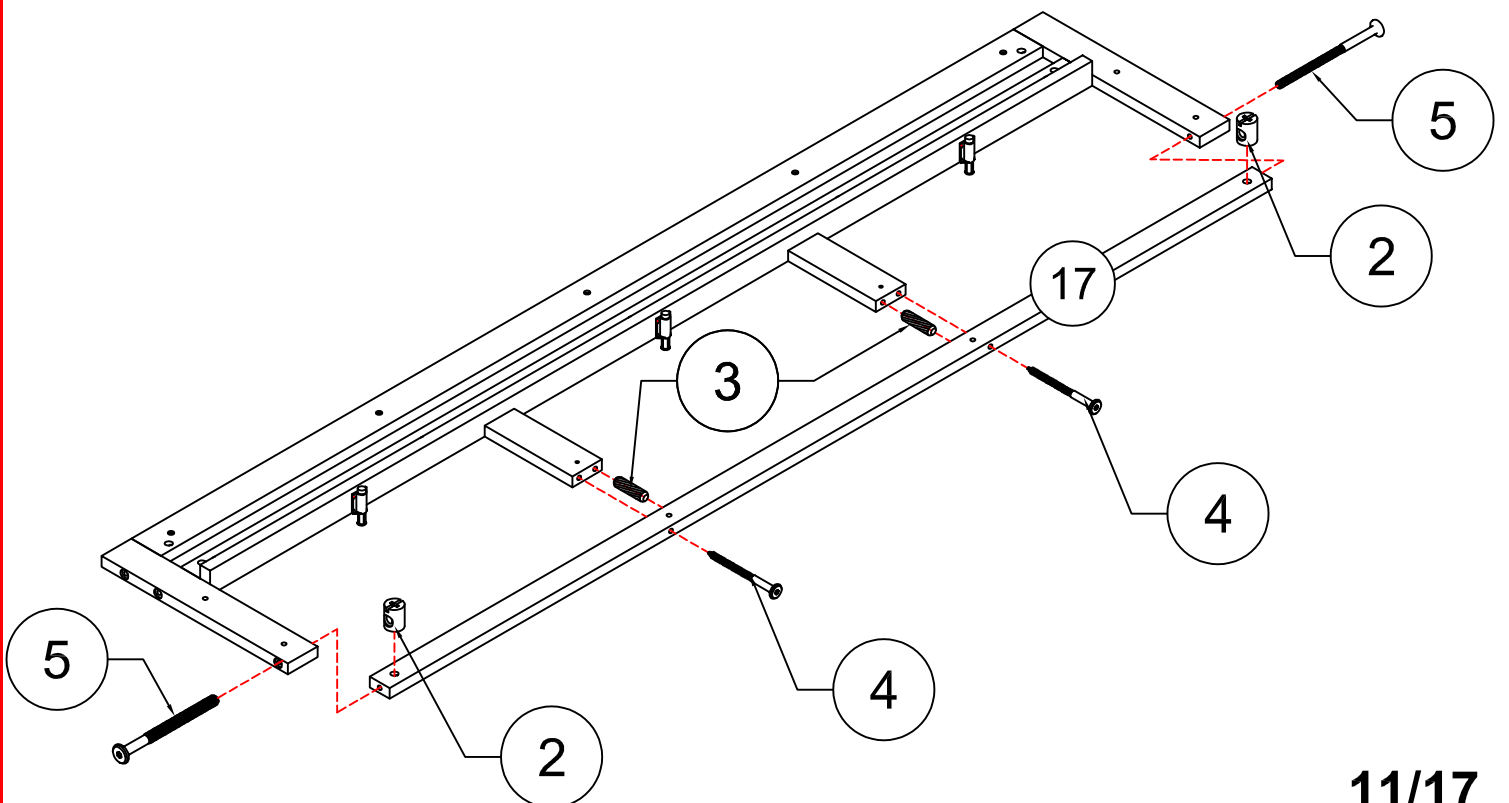
STEP 6

| | | | | | |
|--|--|--|--|---|---|
| 2 | 3 | 5 | 9 | 8 | 11 |
|  |  |  |  |  |  |
| 4pcs | 6pcs | 4pcs | 2pcs | 12pcs | 3pcs |

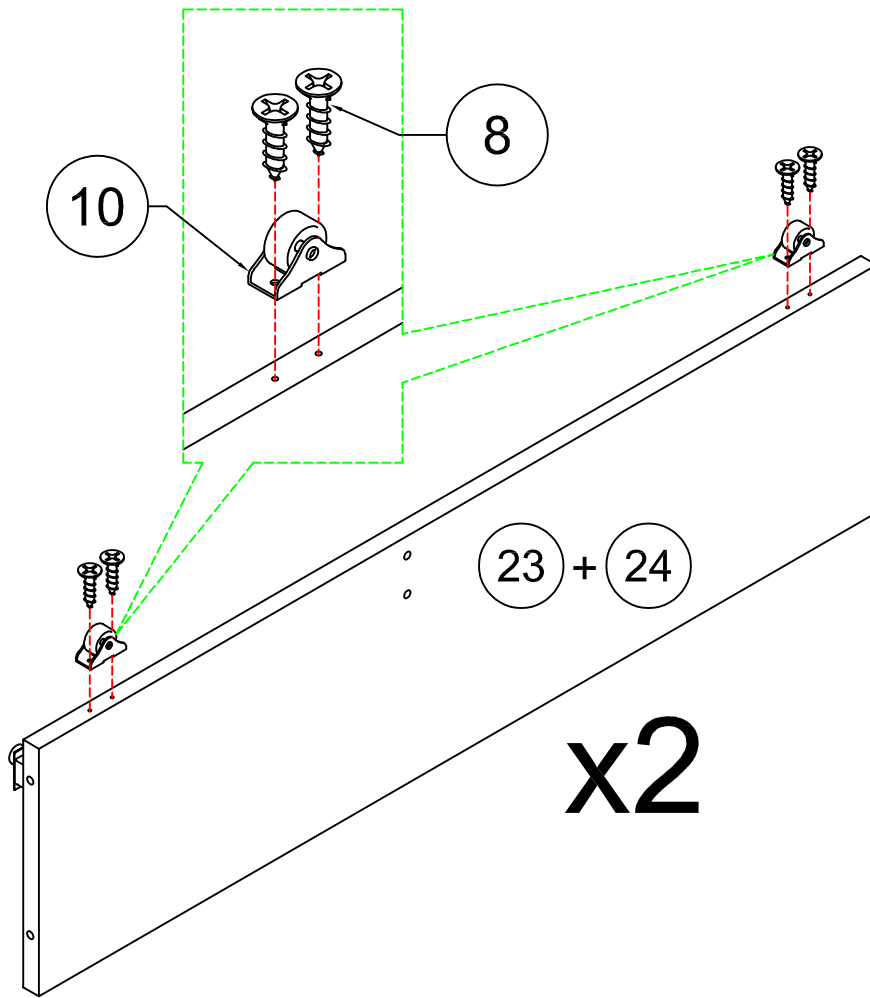


STEP 6-1

| | | | |
|---|---|---|---|
| 2 | 3 | 5 | 4 |
|  |  |  |  |
| 2pcs | 2pcs | 2pcs | 2pcs |

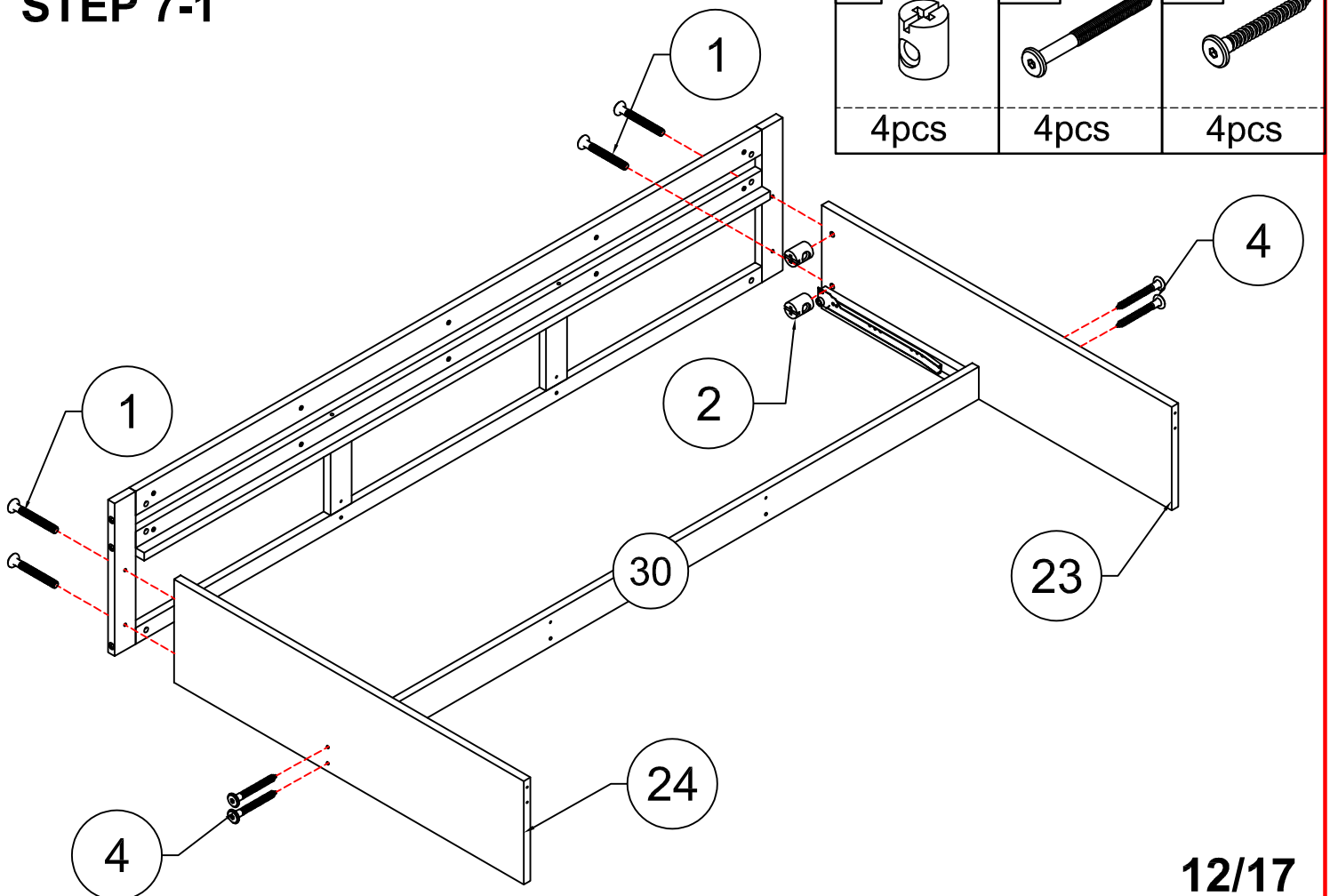


STEP 7



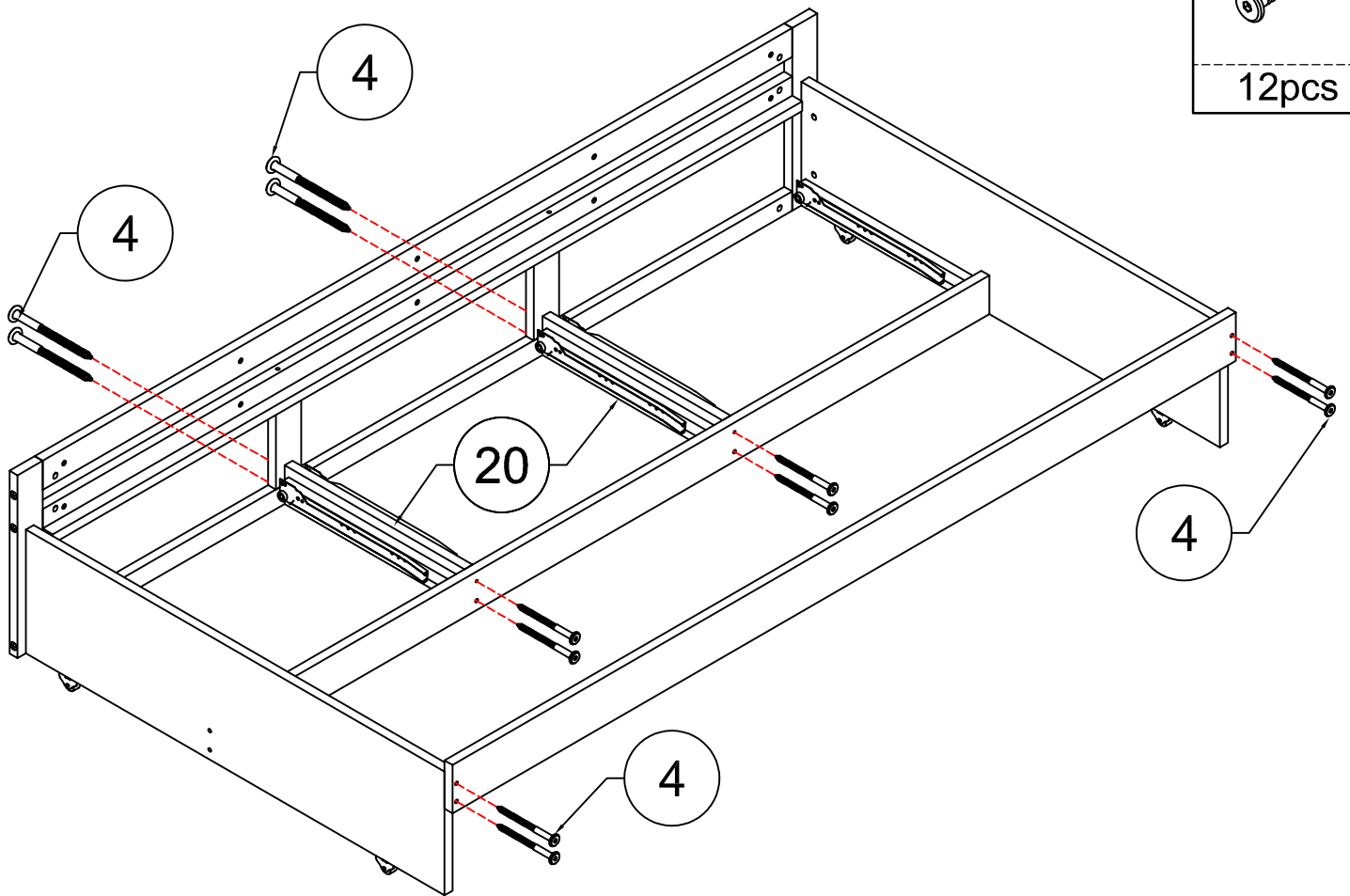
| | |
|------|------|
| 8 | 10 |
| | |
| 8pcs | 4pcs |

STEP 7-1

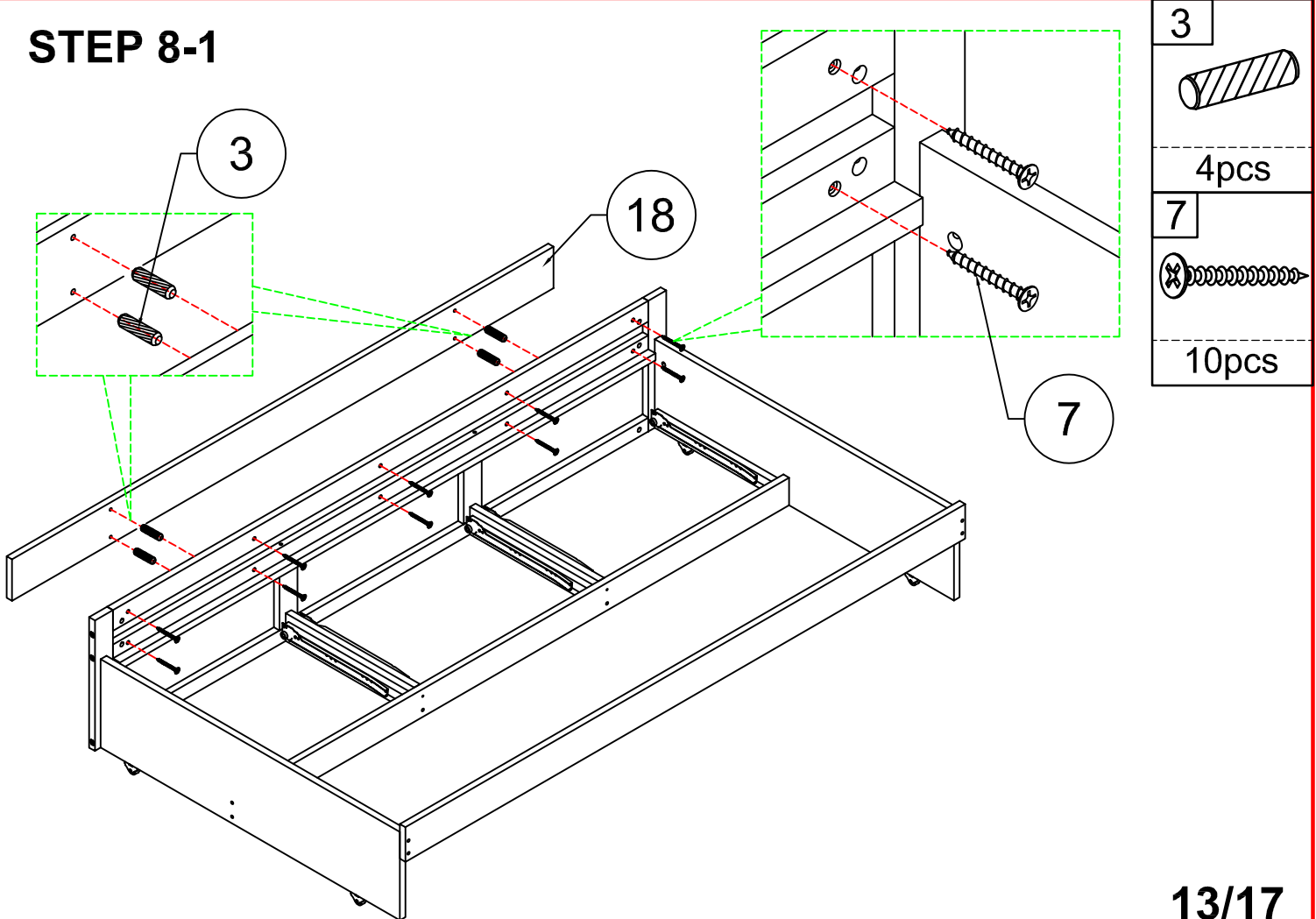


| | | |
|------|------|------|
| 2 | 1 | 4 |
| | | |
| 4pcs | 4pcs | 4pcs |

STEP 8

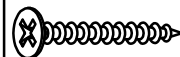


STEP 8-1

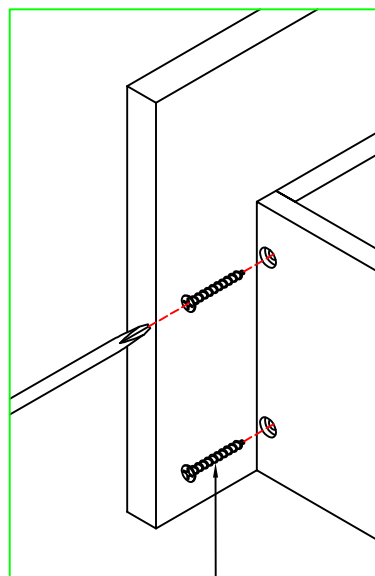


STEP 9

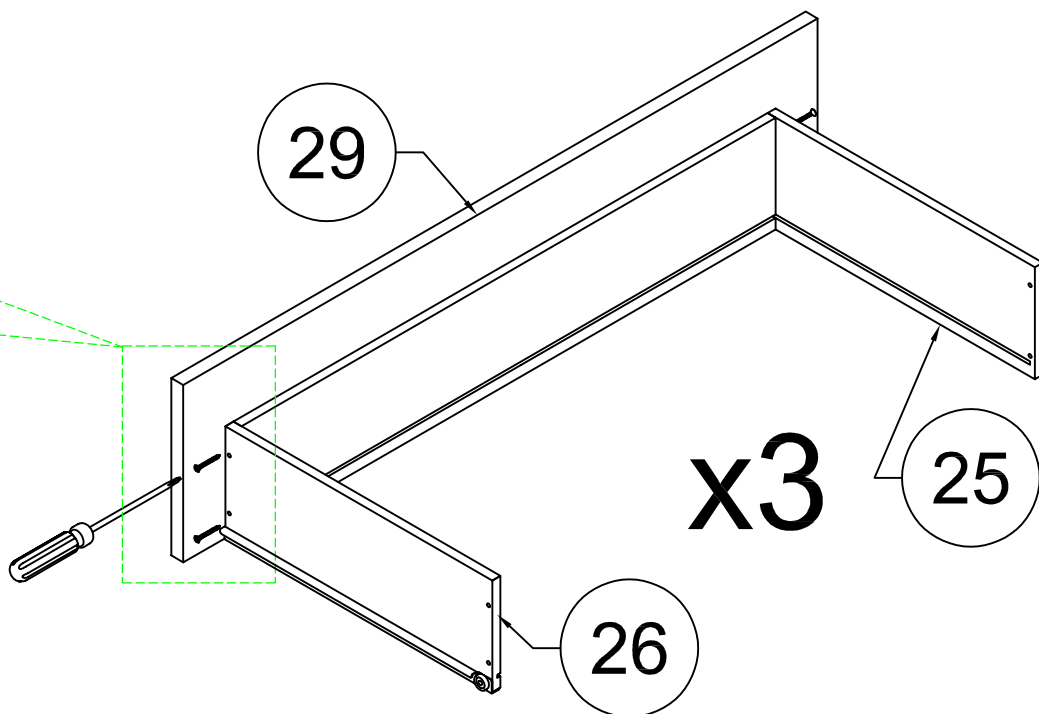
7



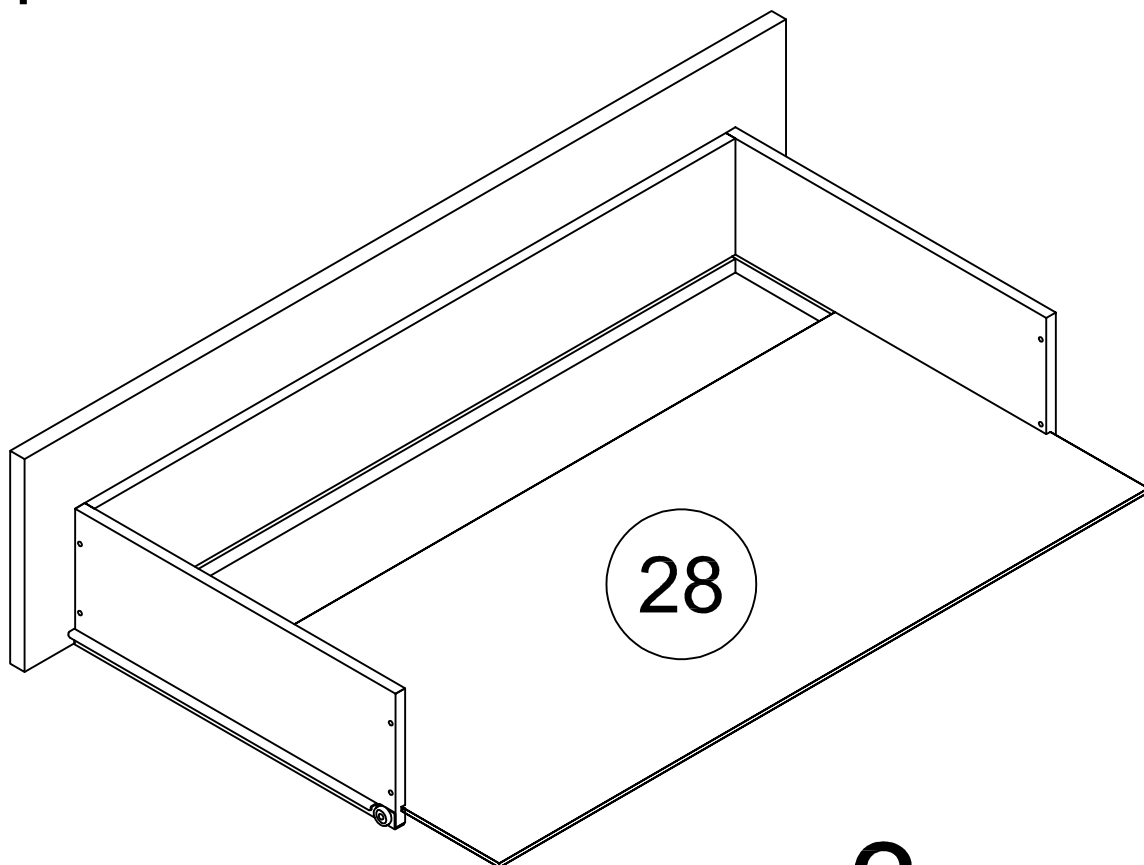
12pcs



7



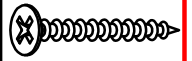
STEP 9-1



x3

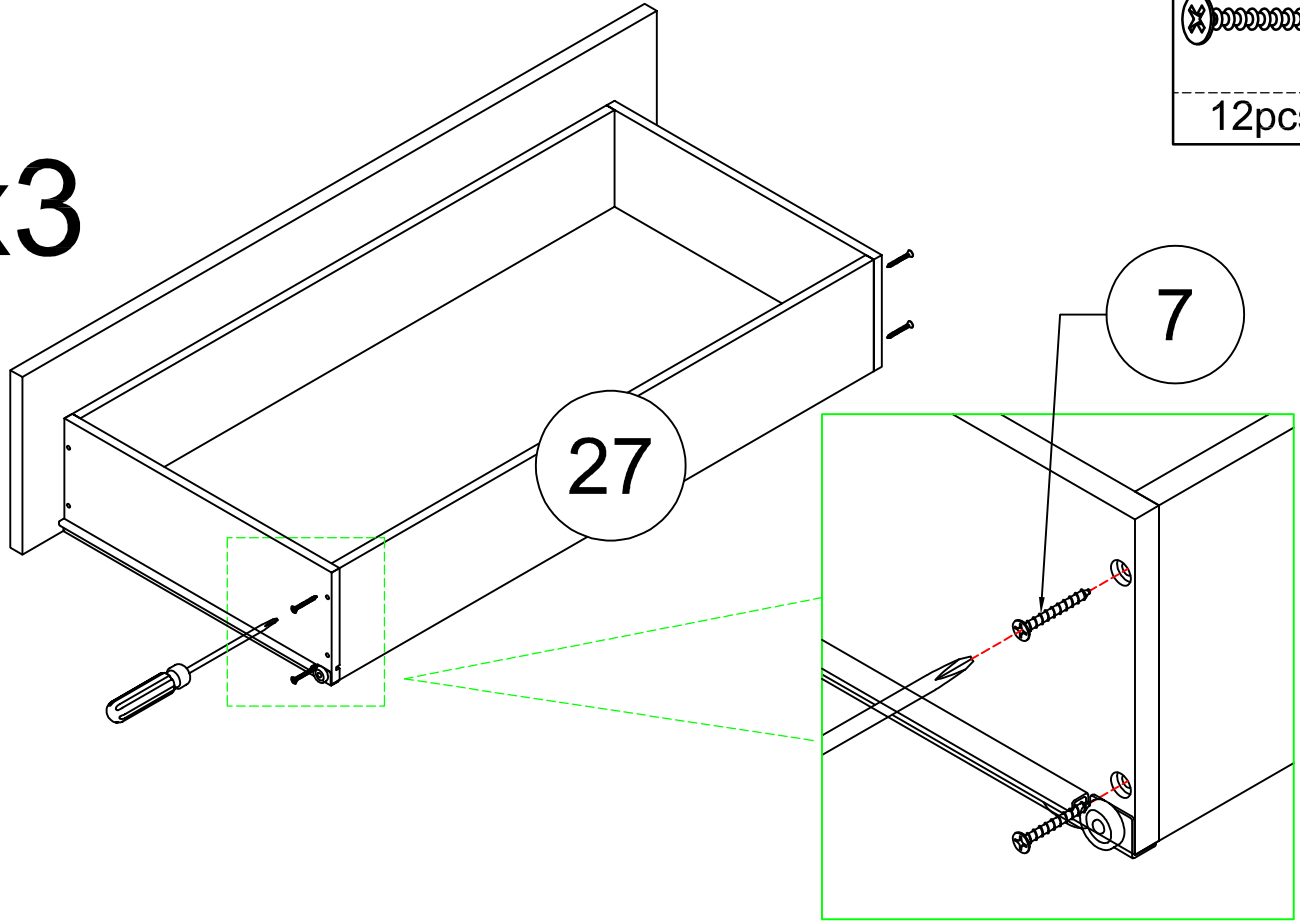
STEP 9-2

7

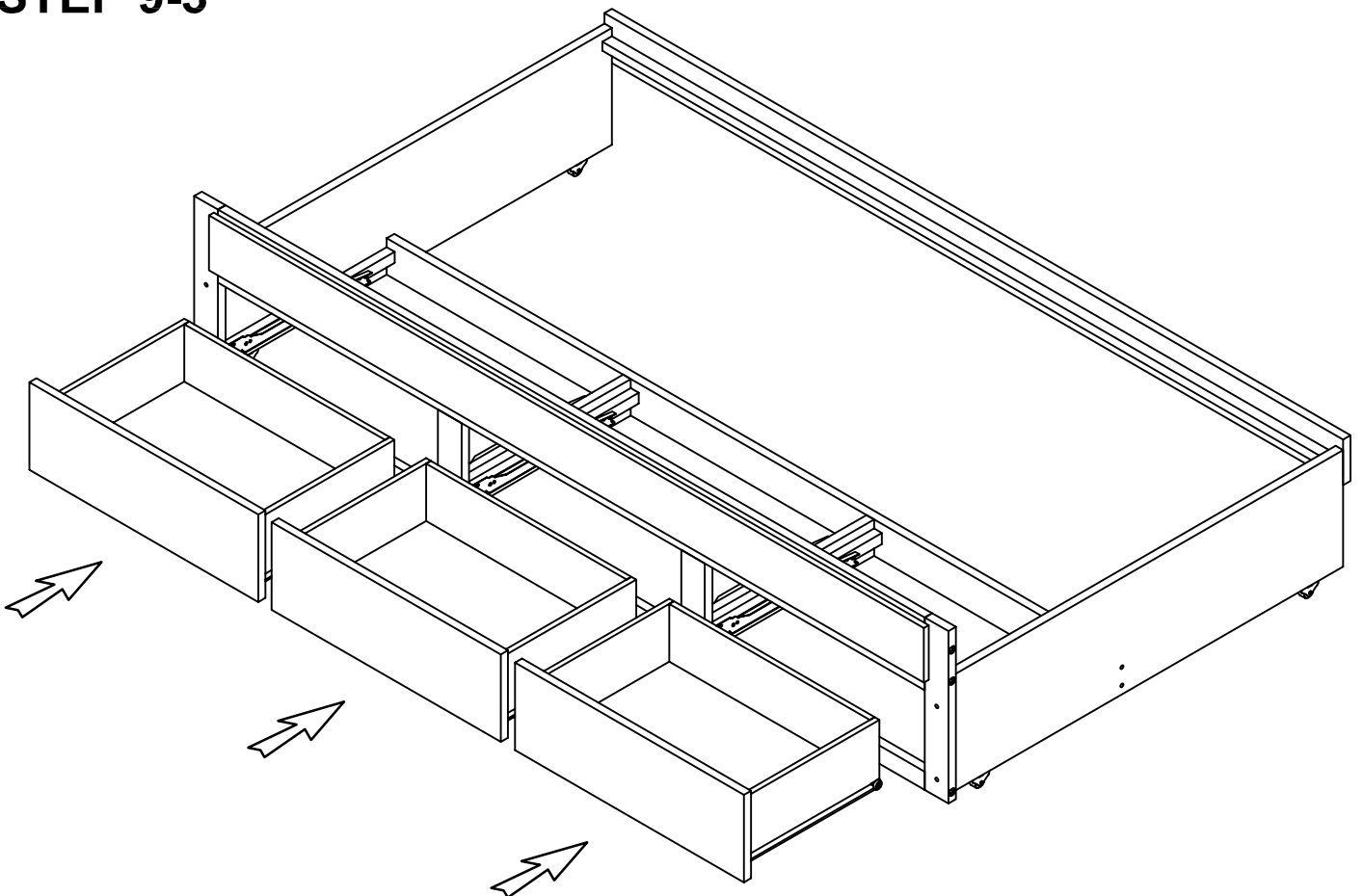


12pcs

x3

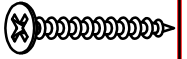


STEP 9-3



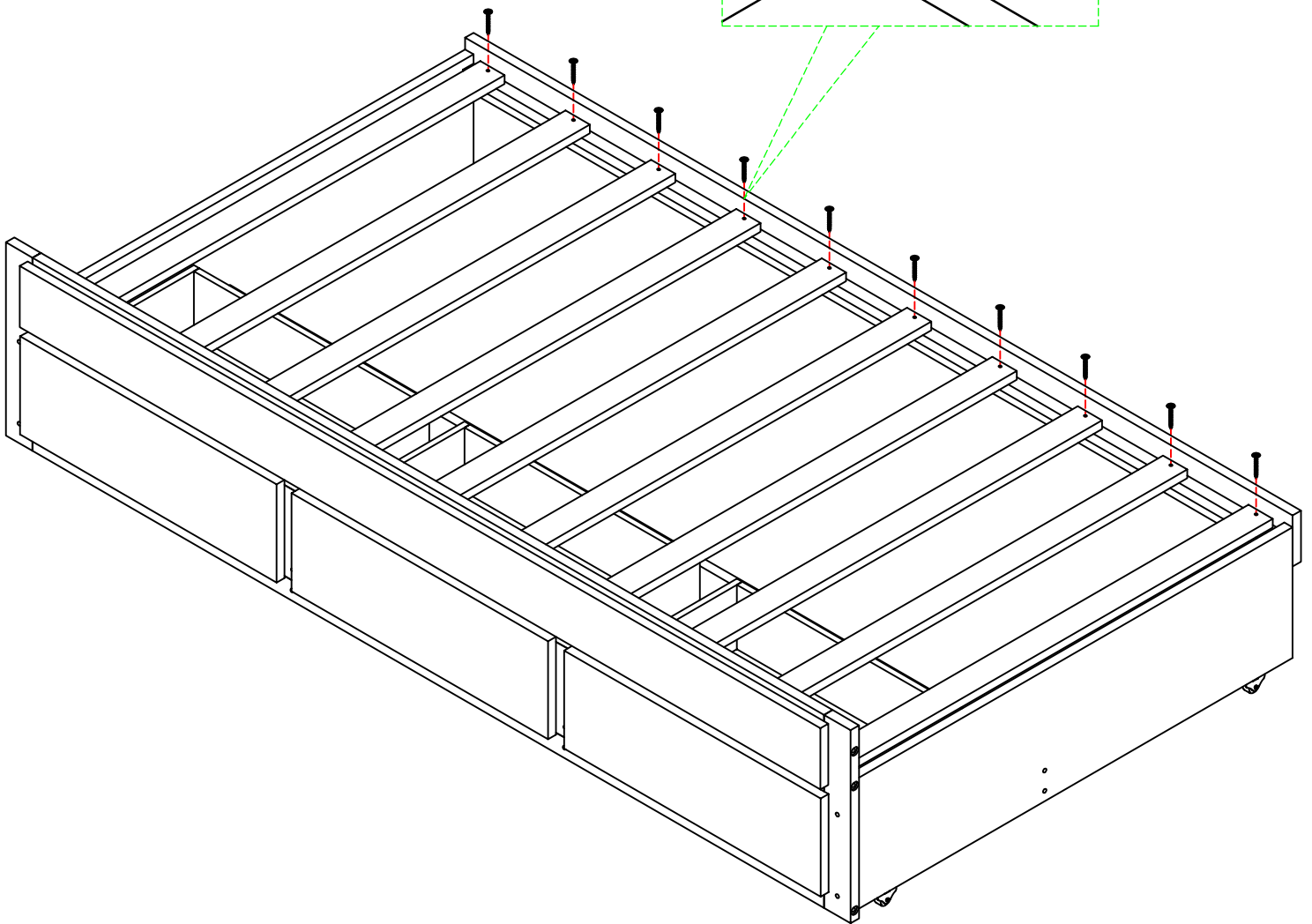
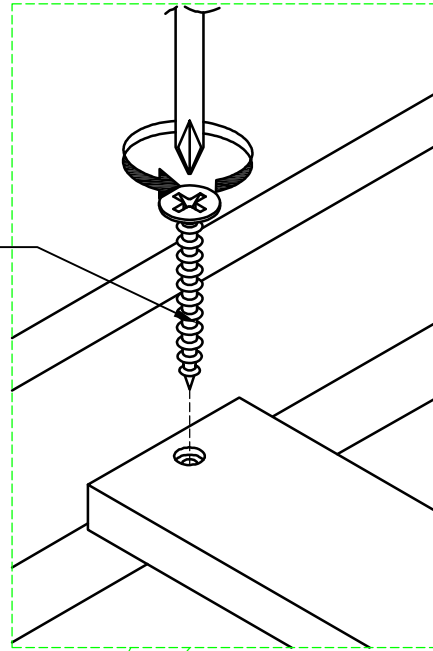
STEP 10

7



20pcs

7



FINISH

