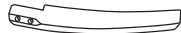


# ASSEMBLY INSTRUCTIONS

Ax1



Bx4



Cx8



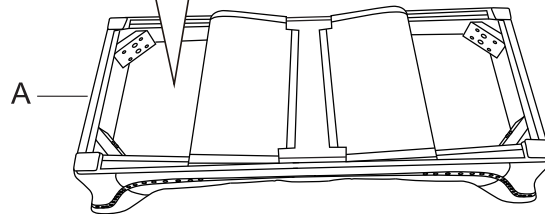
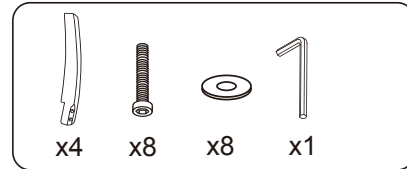
Dx8



Ex1

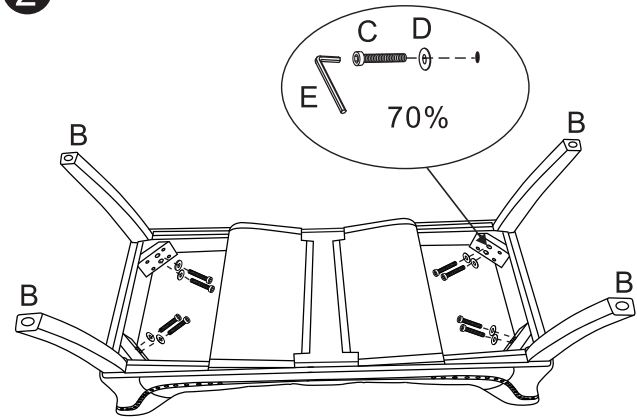


1

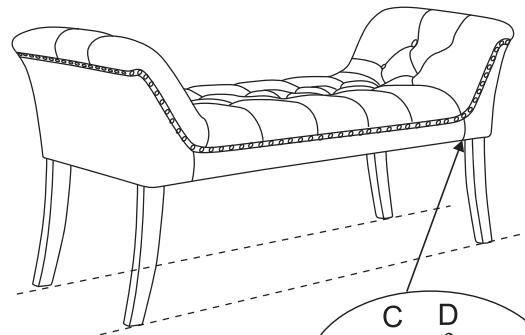


You will be able to locate part B, C, D & E underneath the part A.

2



3



4

