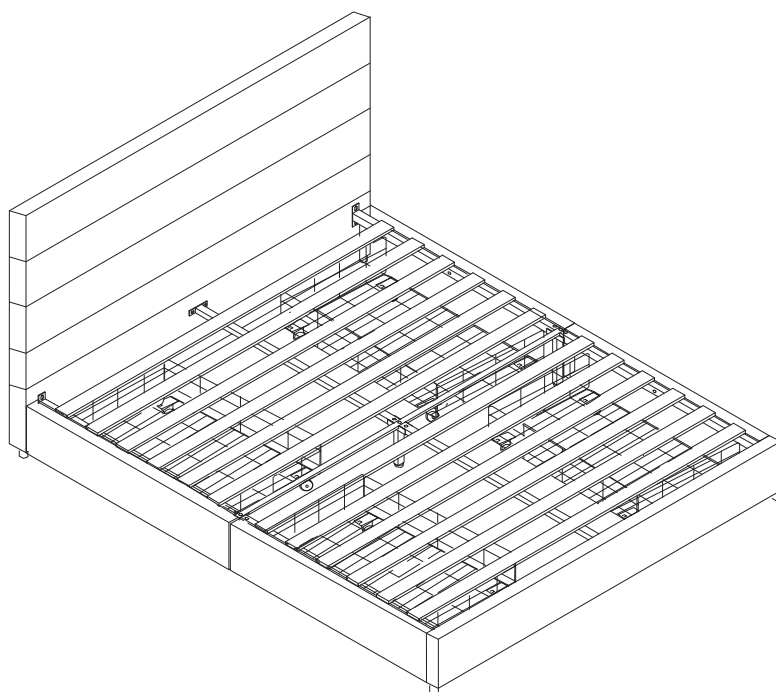
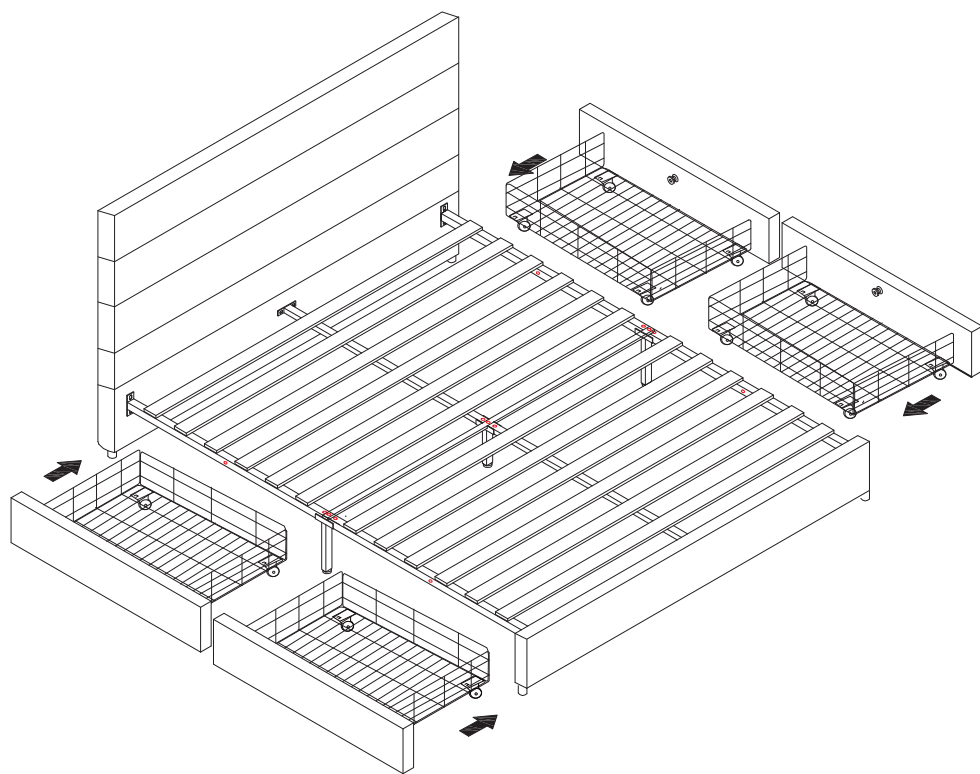
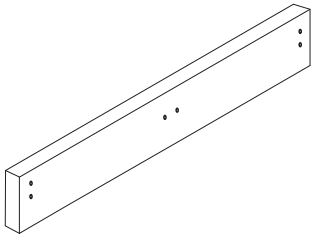


# ASSEMBLY INSTRUCTIONS



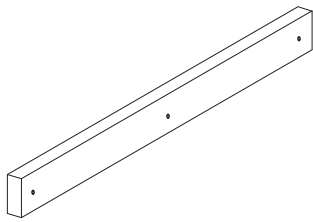
# PARTS AND HARDWARE

① Headboard



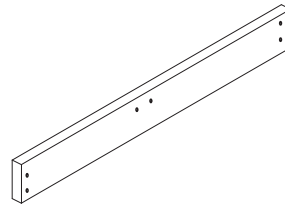
1PC

② Headboard



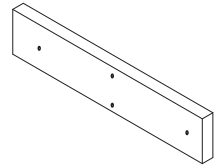
4PCS

③ Footboard



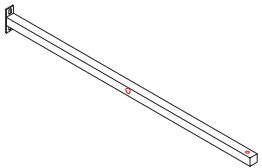
1PC

④ Drawer panel



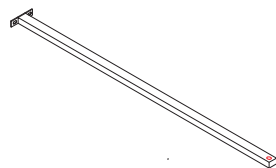
4PCS

⑤ Side Rail Support



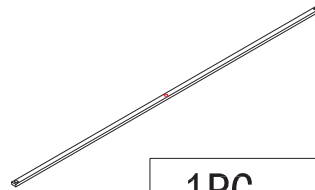
4PCS

⑥ Center support rail



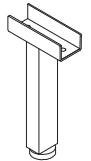
2PCS

⑦ Center cross bar



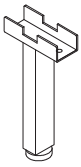
1PC

⑧ Side Rail Feet



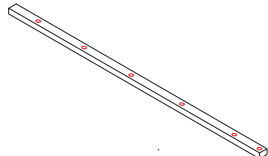
2PCS

⑨ Center Support Leg



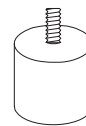
1PC

⑩ Iron fitting behind the headboard



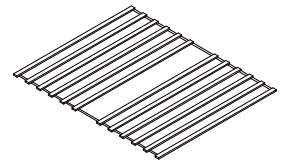
3PCS

⑪ Leg



4PCS

⑫ Slat



12PCS

⑬ Casters



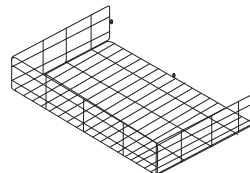
16PCS

⑭ Fasteners



8 PCS

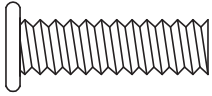

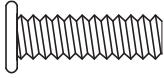

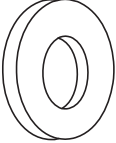


⑮ Drawer wire mesh



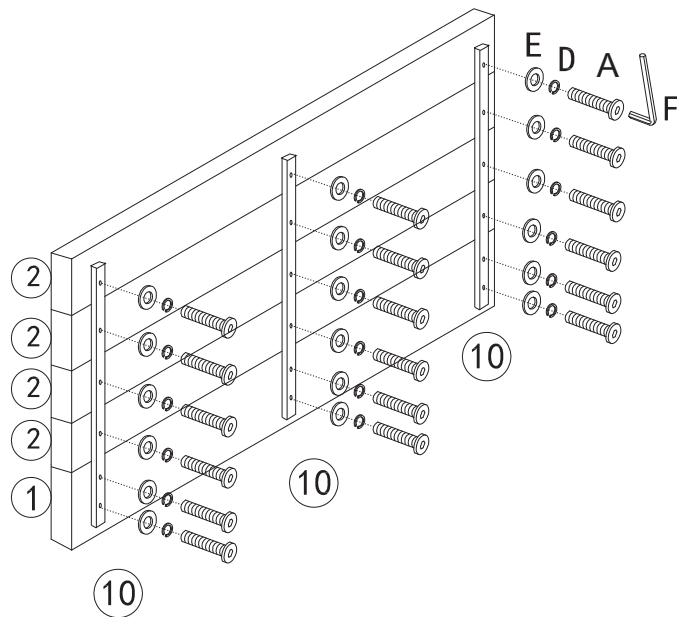
4PCS





# PARTS AND HARDWARE

## HARDWARE LIST:

<p><b>A</b></p>  <p>m8*30mm    30PCS</p>	<p><b>B</b></p>  <p>m8*40mm    9PCS</p>	<p><b>C</b></p>  <p>m6*25mm    16PCS</p>	<p><b>D</b></p>  <p>m8    39PCS</p>
<p><b>E</b></p>  <p>m8*19mm    39PCS</p>	<p><b>F</b></p>  <p>m8    1PC</p>	<p><b>G</b></p>  <p>m6    1PC</p>	

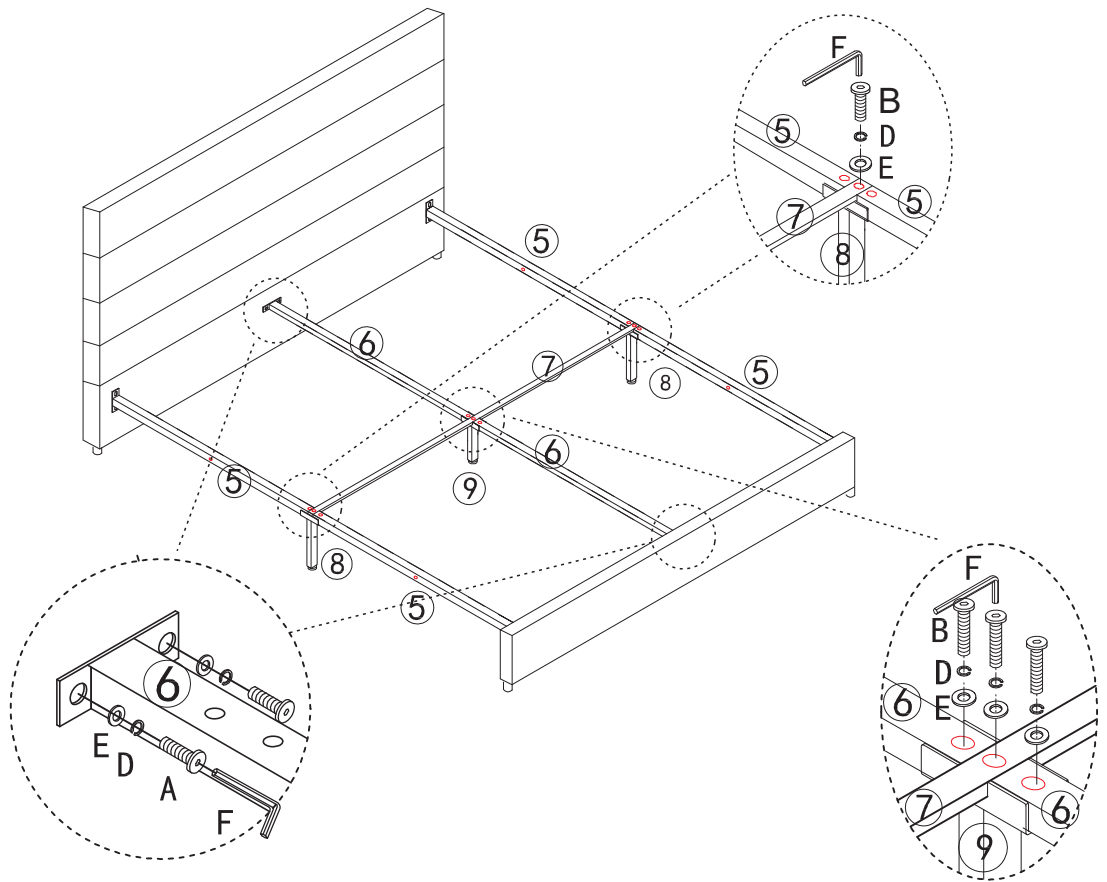
## STEP 1

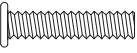
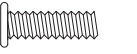





	A x18PCS
	E x18PCS
	D x18PCS
	F x 1PC

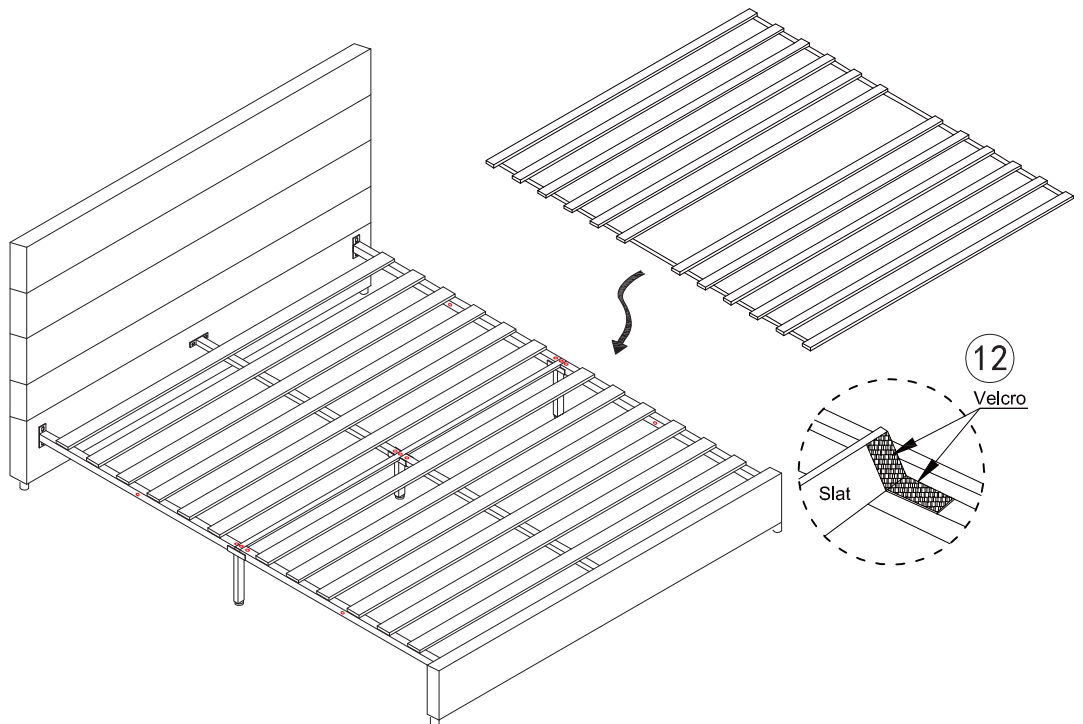


# STEP 4

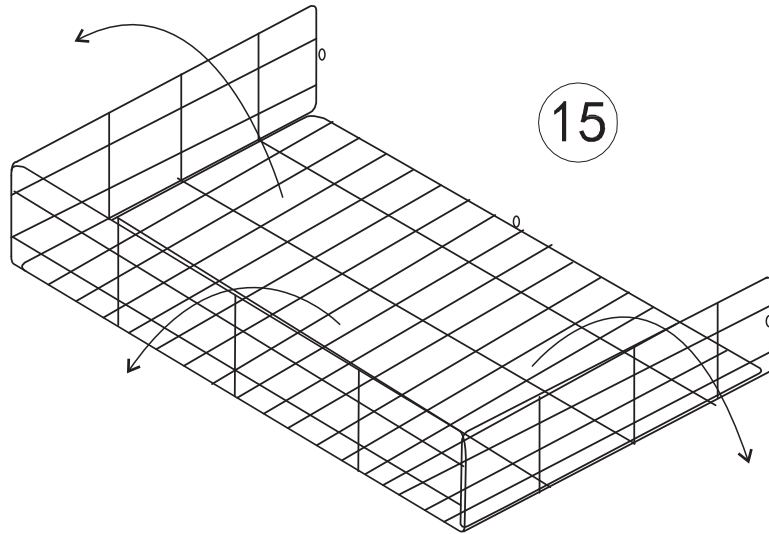


	A x 4 PCS
	B x 5 PCS
	E x 9 PCS
	D x 9 PCS
	F x 1 PC

# STEP 5

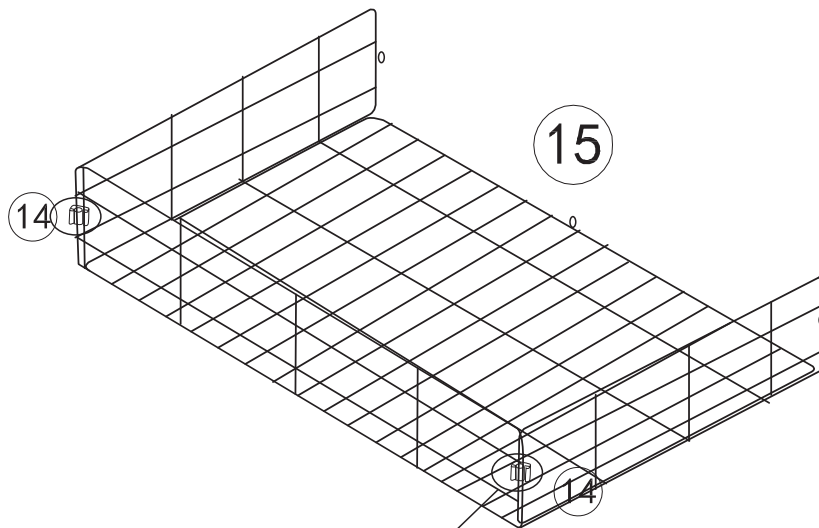


# STEP 6



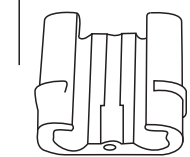
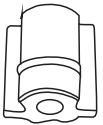
x4

# STEP 7

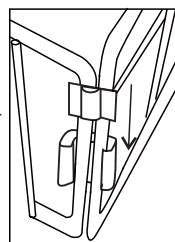
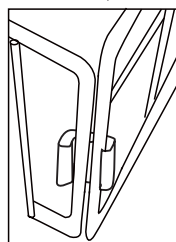


adder

14



Face up



Align and down press

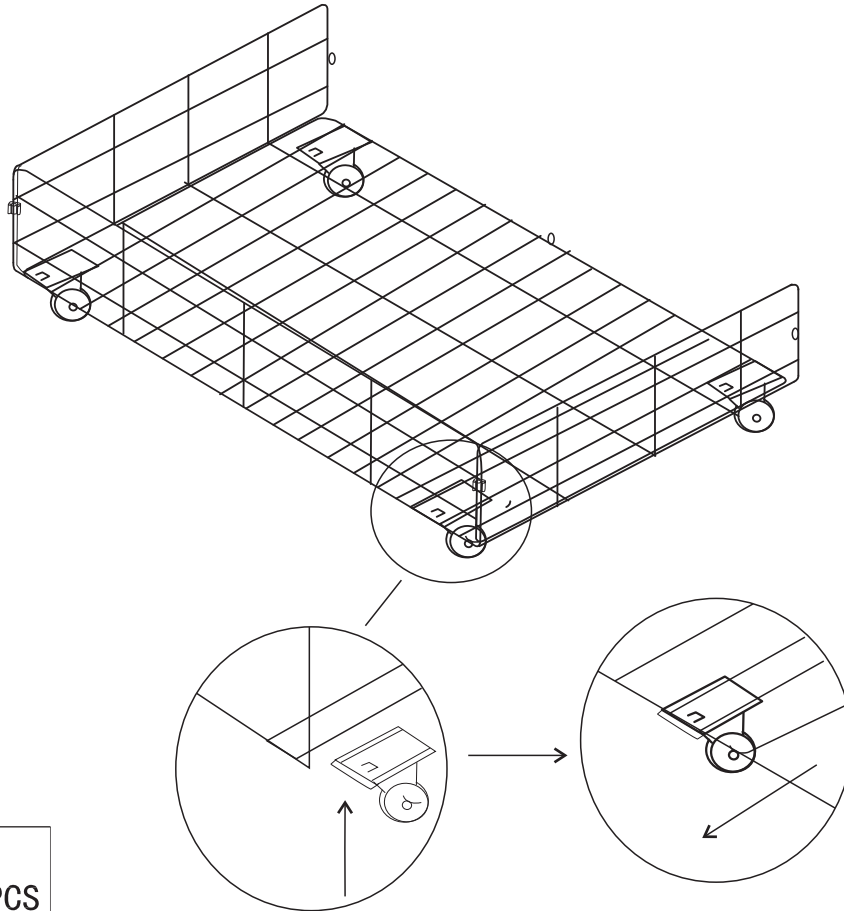


x4



14 x 8 PCS

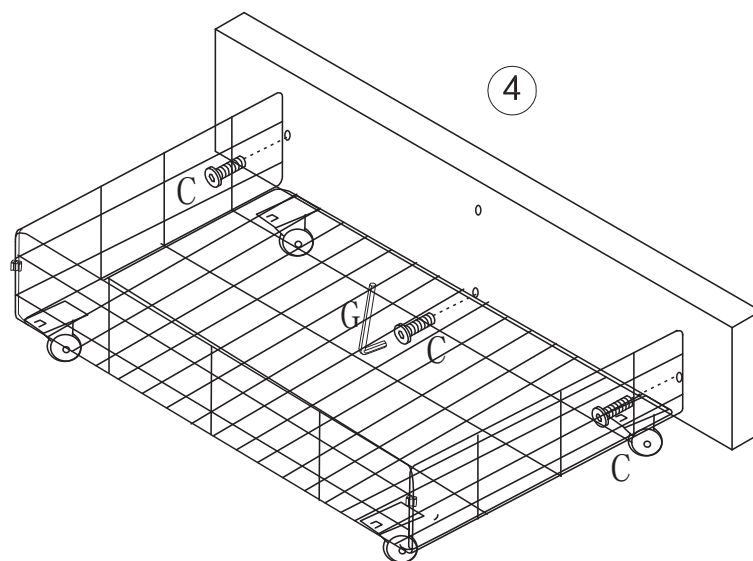
# STEP 8



13 x16PCS

x4

# STEP 9



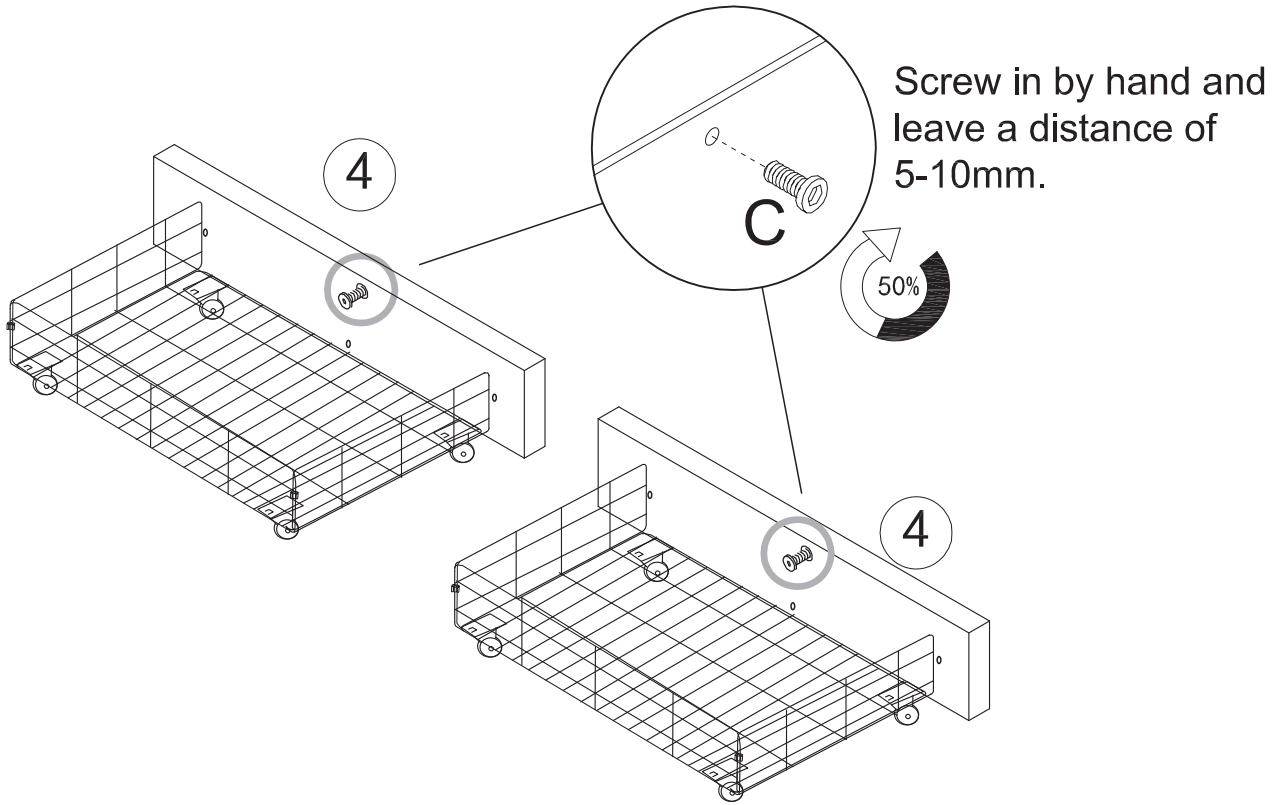
C x12PCS





G x 1PC

x4

# STEP 10

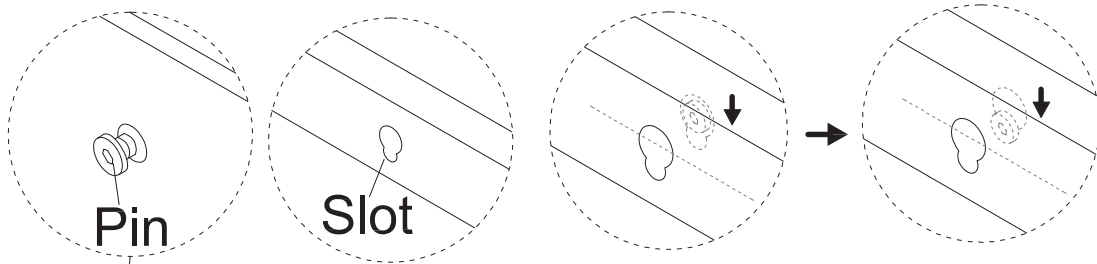


	C x 4PCS
	G x 1PC

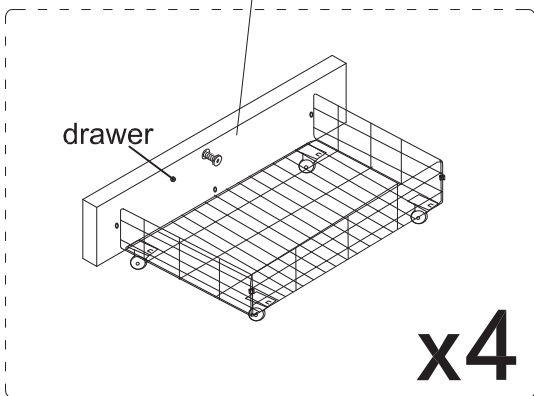
x4

# STEP 11

Drawer panel screw hang into side cross beam hole.



There is a screw head on the drawer board. Hang them in the hole as shown in the figure.



# STEP 12

