



**YLAND 1 Seater**  
W 27 1/16" D 31 7/16" H 27 1/8"  
SH 11" CH 4 1/2" OSH 15 1/2"  
17.2 lbs  
Powder coated aluminum & rope

## YLAND: FRAME



White

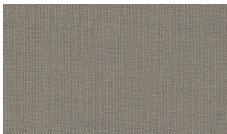


Anthracite

## YLAND: CUSHION FABRICS



Canvas Natural



Lantern Slate

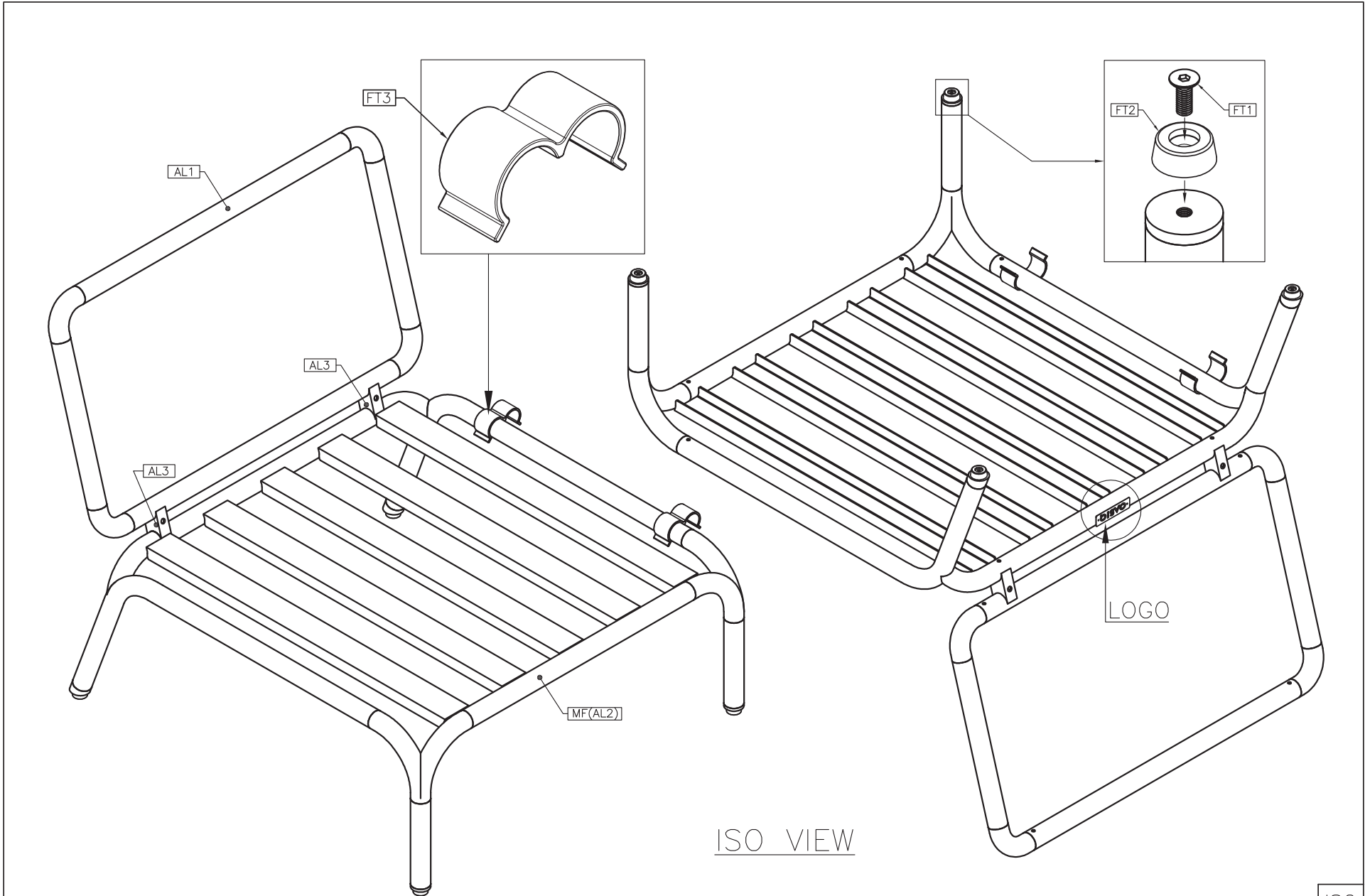
## YLAND: ROPE



Taupe



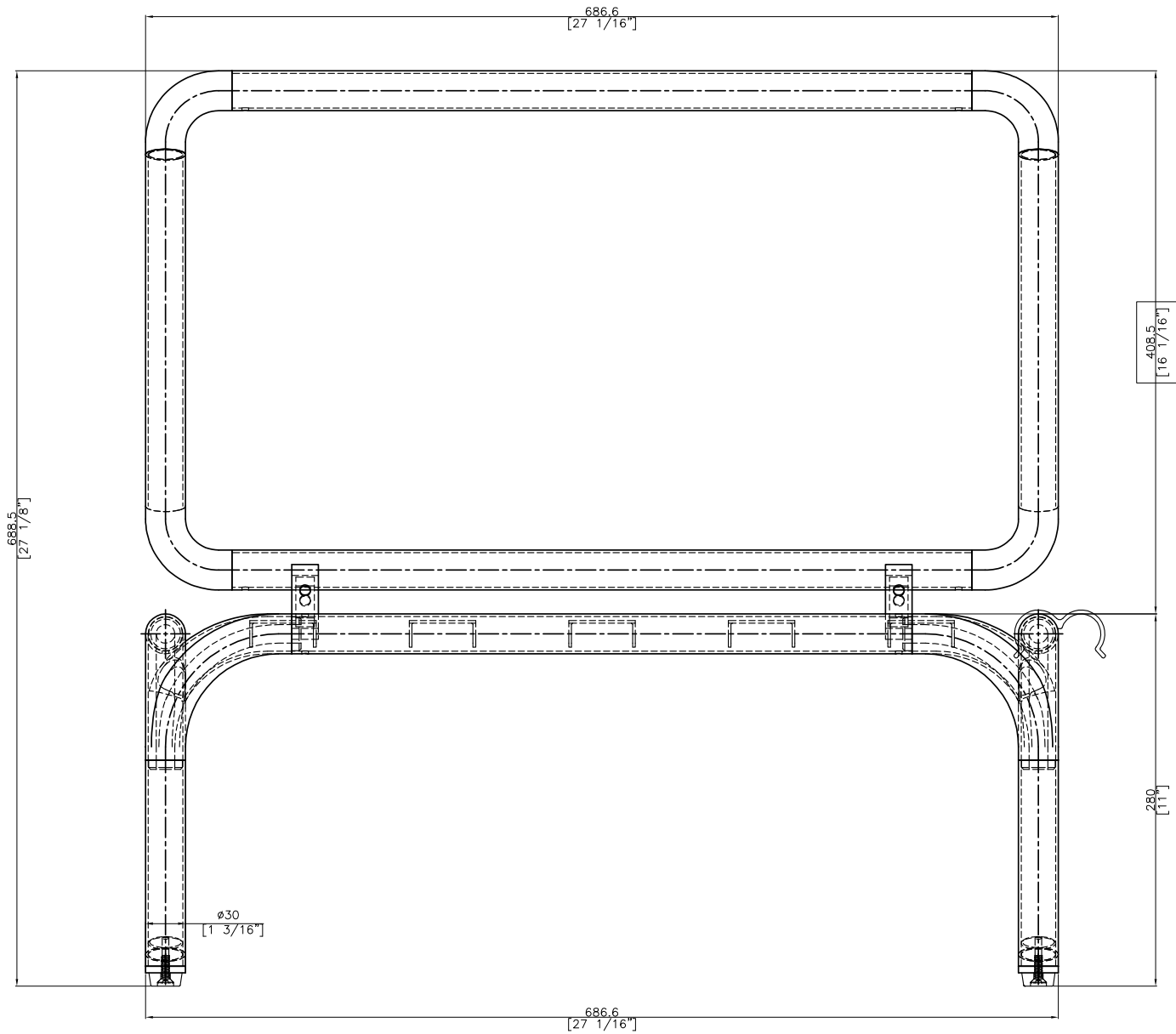
White



ISO VIEW

ISO

<b>OASIQ</b>	DWG.NO: FAE0A5-3K/KB	TITLE : ISO VIEW	DIM EXT: 686.6x797.8x688.5 MM.	MATERIAL: AL	DRAWN BY : Mr.Khanti	FINISH DATE : 08-09-14	PUI	SCALE : 1:2	P. 2
						BEGIN DATE : 1-02-13	KHAN		



FRONT VIEW

EF

**OASIQ**

DWG.NO: FAE0A5-3K/KB

TITLE : FRONT VIEW

DIM EXT: 686.6x797.8x688.5 MM.

MATERIAL: AL

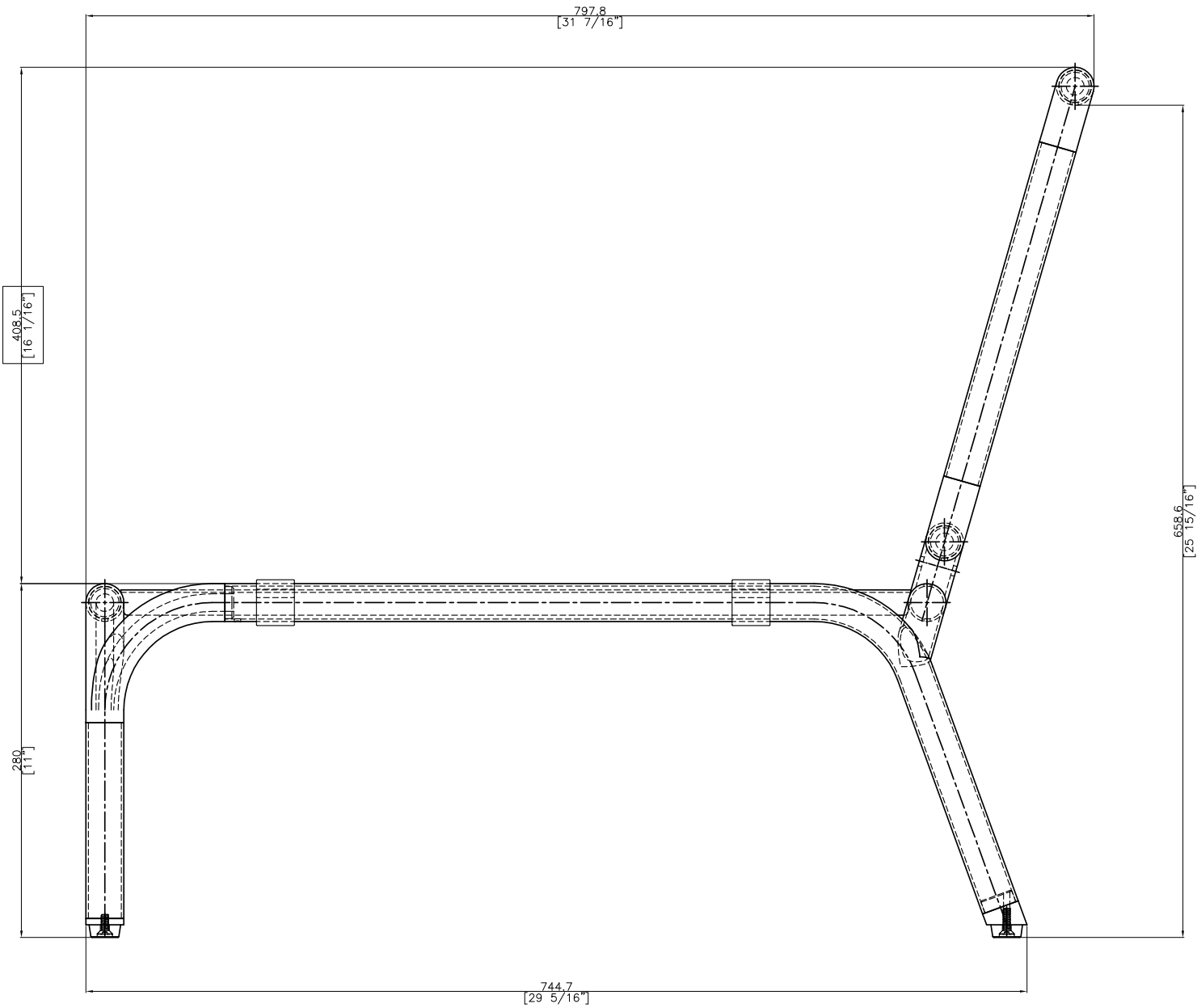
DRAWN BY : Mr.Khanti

FINISH DATE : 08-09-14  
 BEGIN DATE : 1-02-13

PUI  
 KHAN

SCALE : 1:1

P. 4



SIDE VIEW

ES

**OASIQ**

DWG.NO: FAE0A5-3K/KB

TITLE : SIDE VIEW

DIM EXT: 686.6x797.8x688.5 MM.

MATERIAL: AL

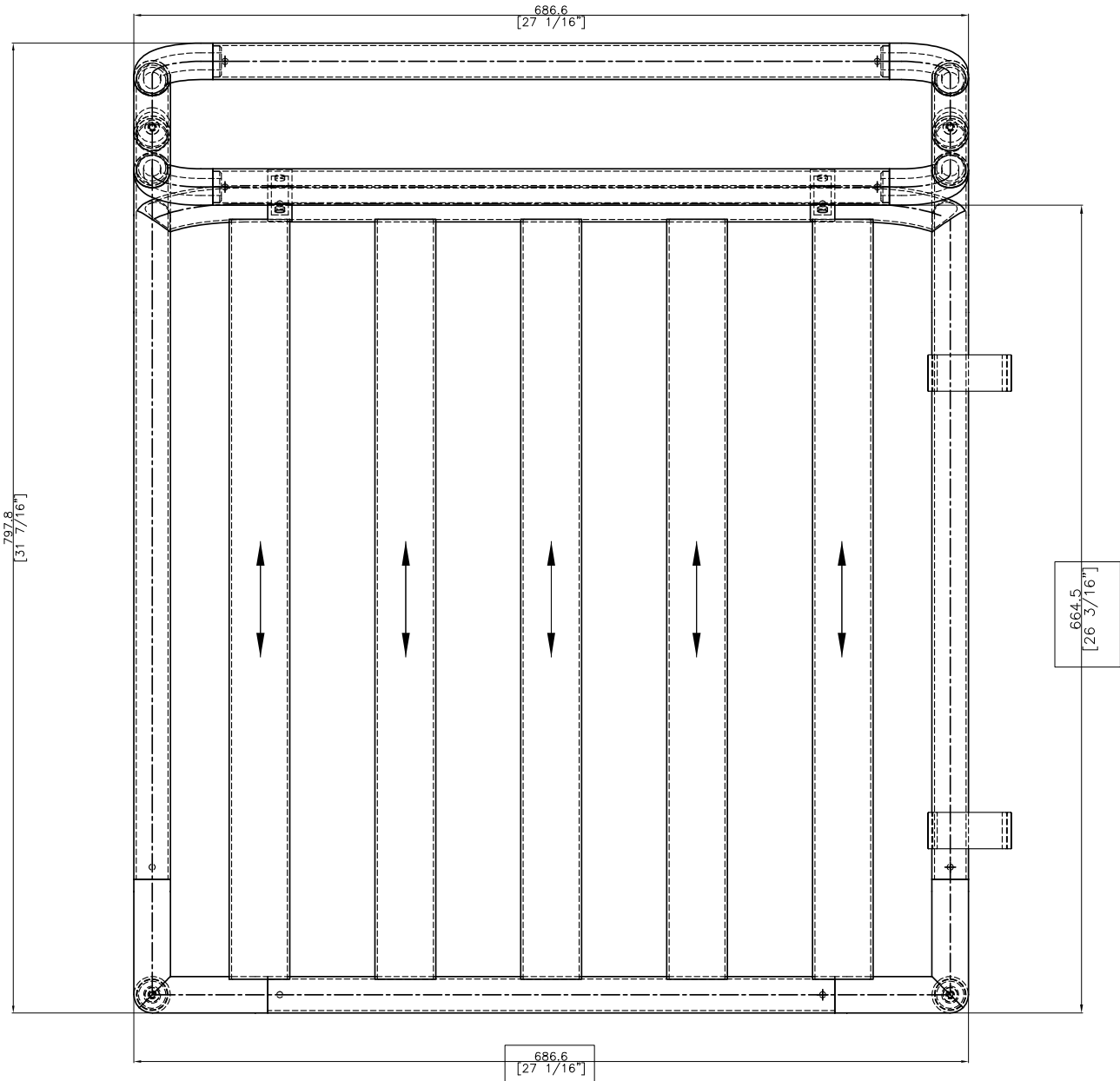
DRAWN BY : Mr.Khanti

FINISH DATE : 08-09-14  
 BEGIN DATE : 1-02-13

PUI  
 KHAN

SCALE : 1:1

P. 5



TOP VIEW

ET

	DWG.NO: FAEOA5-3K/KB	TITLE : TOP VIEW	DIM EXT: 686.6x797.8x688.5 MM.	MATERIAL: AL	DRAWN BY : Mr.Khanti	FINISH DATE : 08-09-14 BEGIN DATE : 1-02-13	PUI KHAN	SCALE : 1:1 	P. 3
--	----------------------	------------------	--------------------------------	--------------	----------------------	--	-------------	-----------------	------