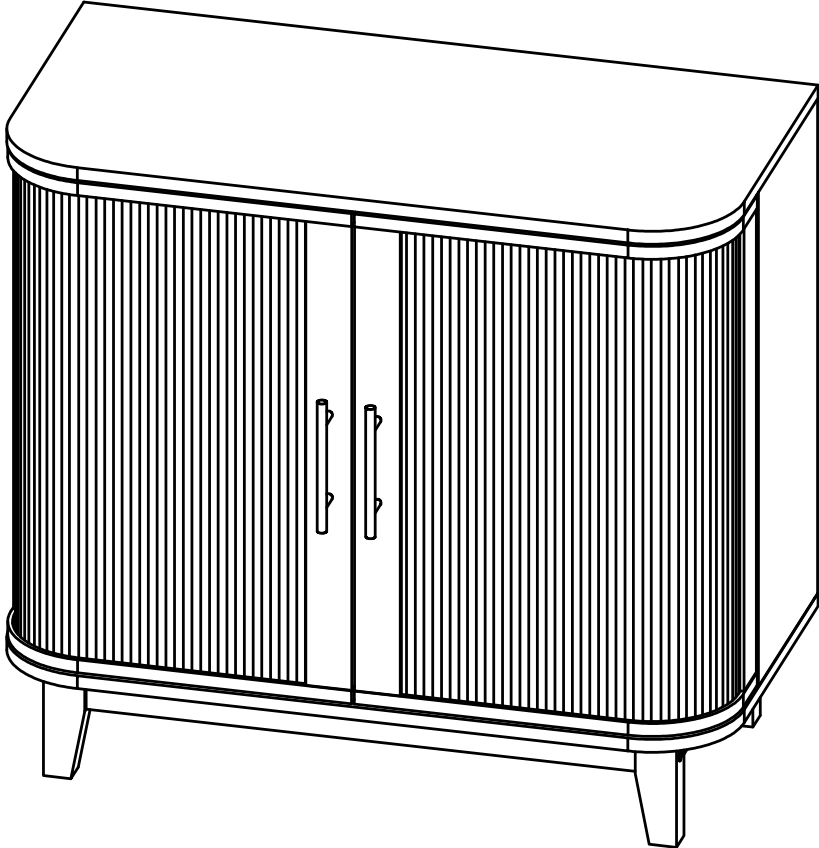
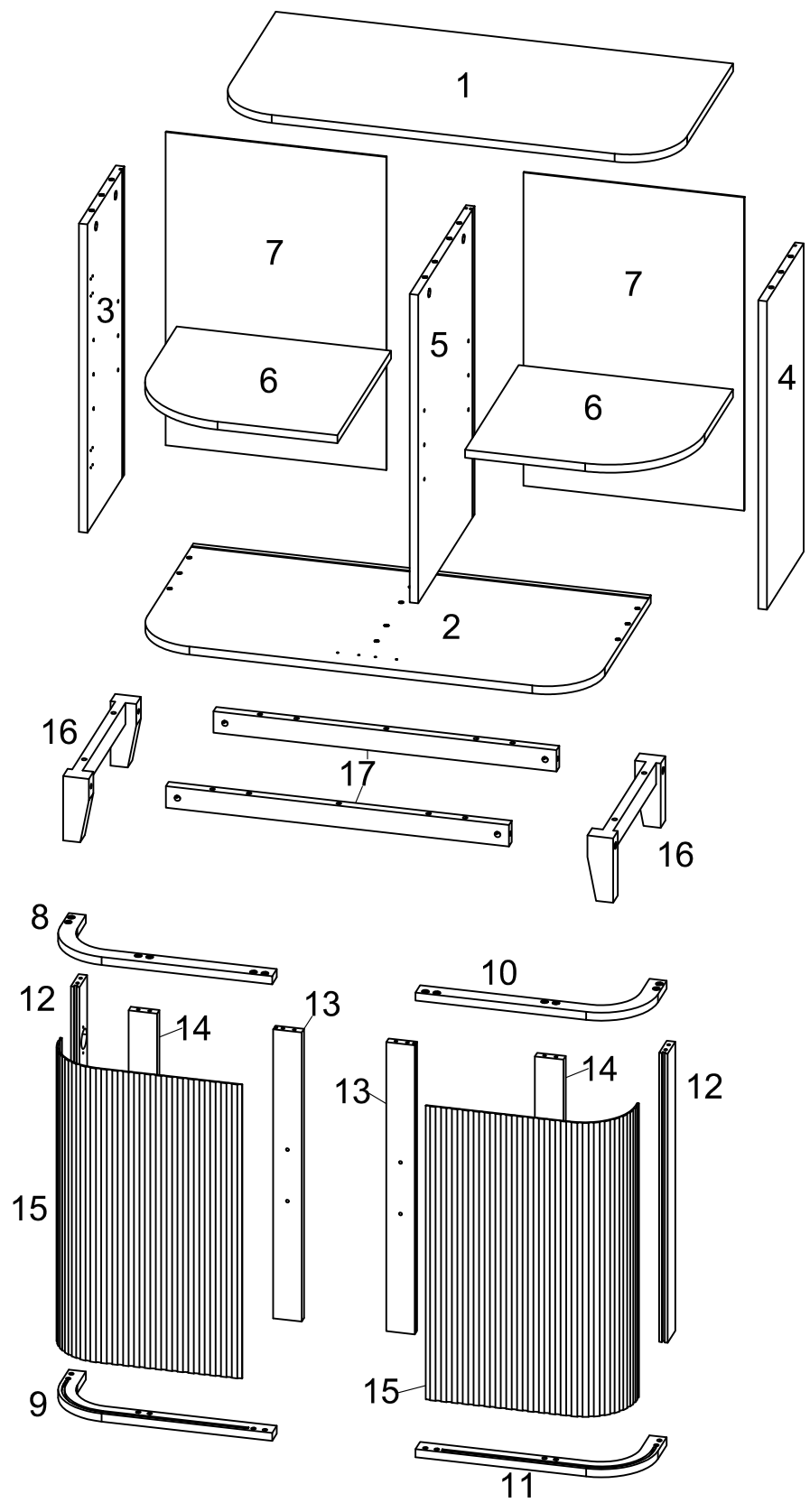




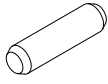
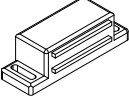
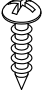

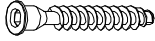
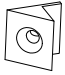



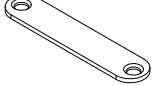
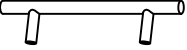

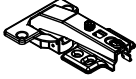







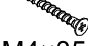

# Installation & Assembly



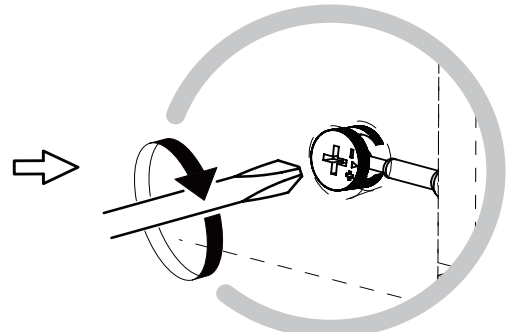
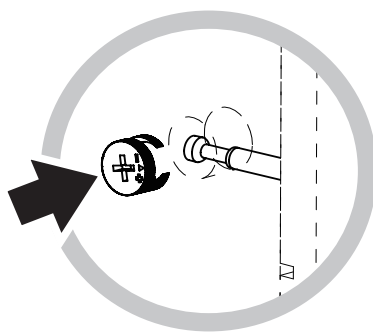
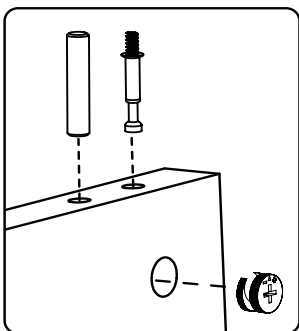
# EXPLODED DRAWING



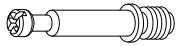

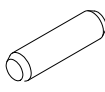

# PARTS

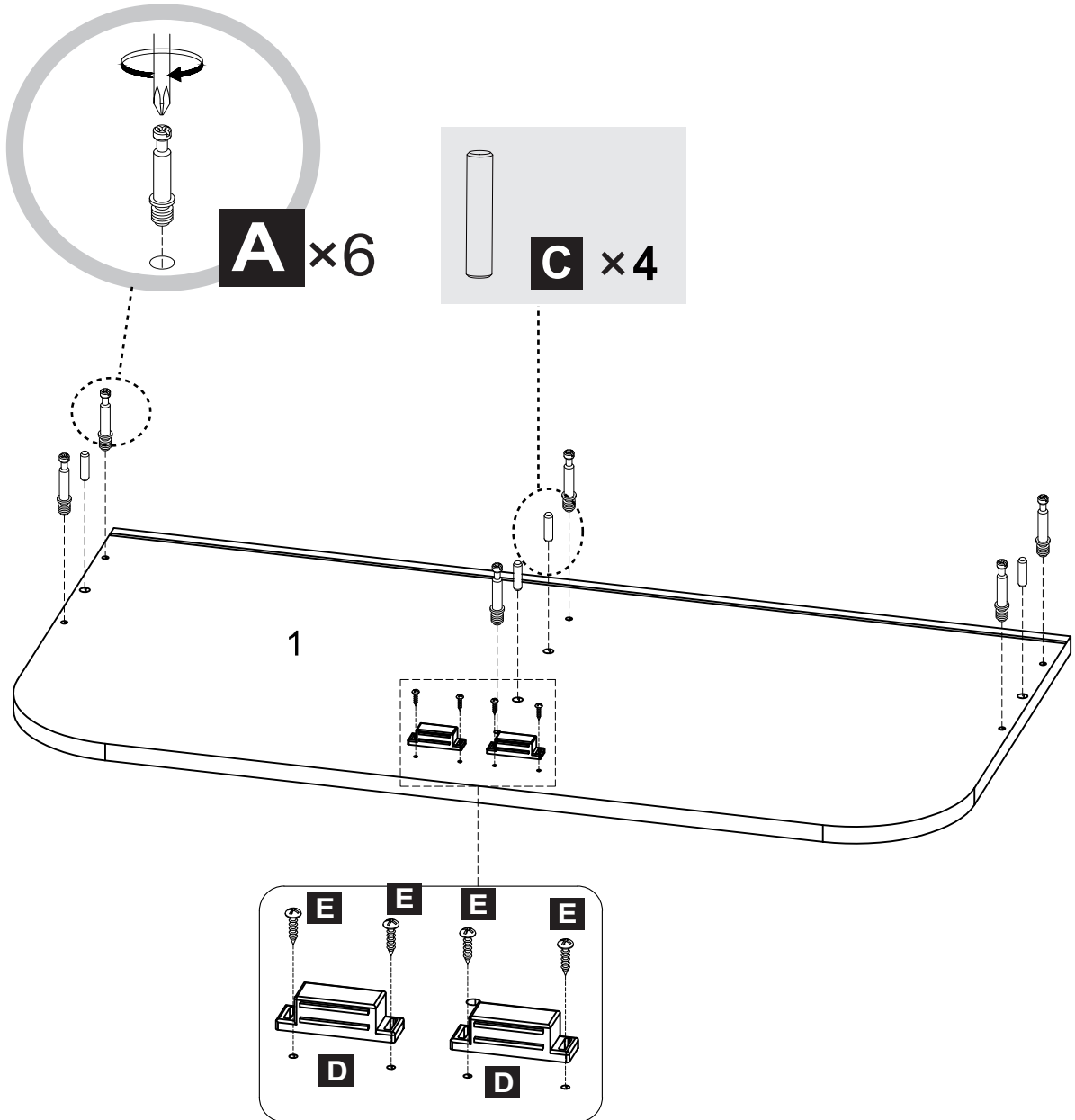
	<b>A</b> × 6		<b>B</b> × 6 M15 × 12		<b>C</b> × 12 M8 × 30		<b>D</b> × 2
	<b>E</b> × 4 M3 × 16		<b>F</b> × 4 M10 × 12		<b>G</b> × 6 M7 × 50		<b>H</b> × 8
	<b>J</b> × 4 M3 × 12		<b>K</b> × 4 M6 × 55		<b>L</b> × 10 M6 × 35		<b>M</b> × 2
	<b>N</b> × 2		<b>P</b> × 4 M4 × 22		<b>Q</b> × 4		<b>R</b> × 8
	<b>S</b> × 4 25 × 25 × 3		<b>T</b> × 32 M3.5 × 14		<b>U</b> × 6 M20	   <b>V</b> × 2 M13      M4 × 12      M4 × 35	
	<b>W</b> × 1 M4		<b>X</b> × 24 M5 × 50				

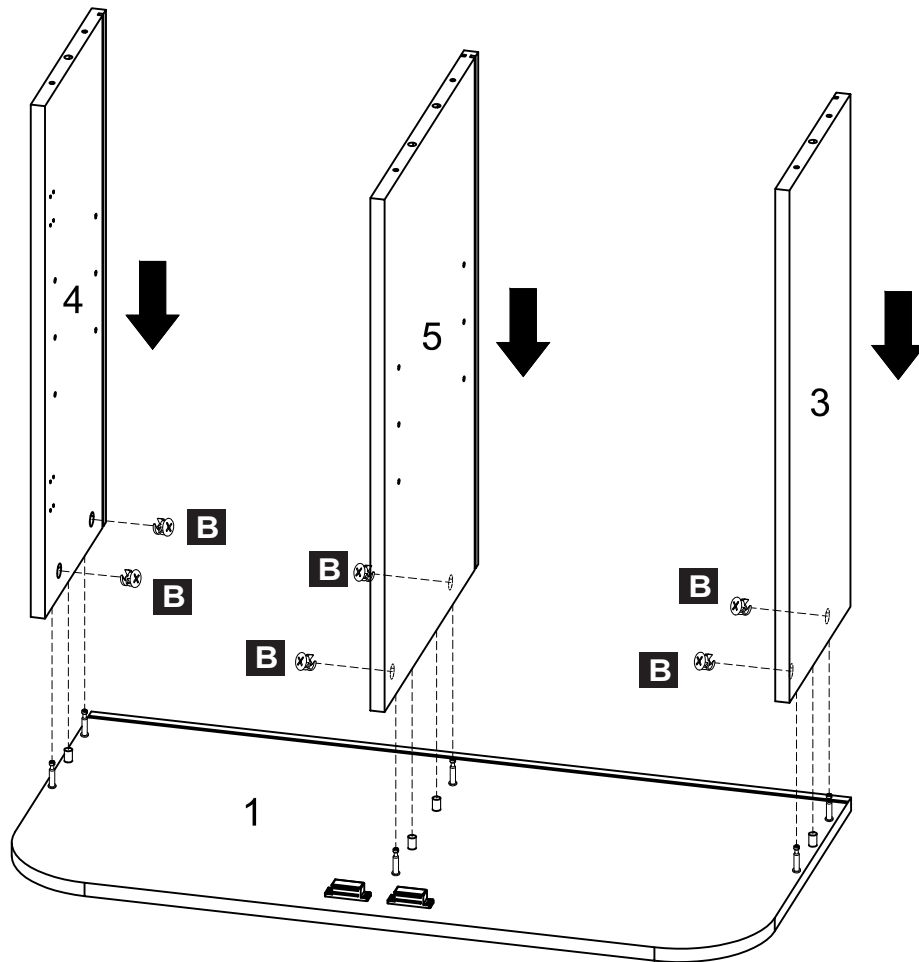
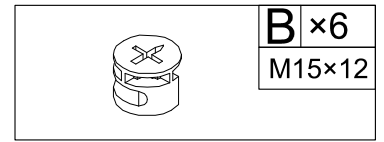
## MINIFIX POSITION



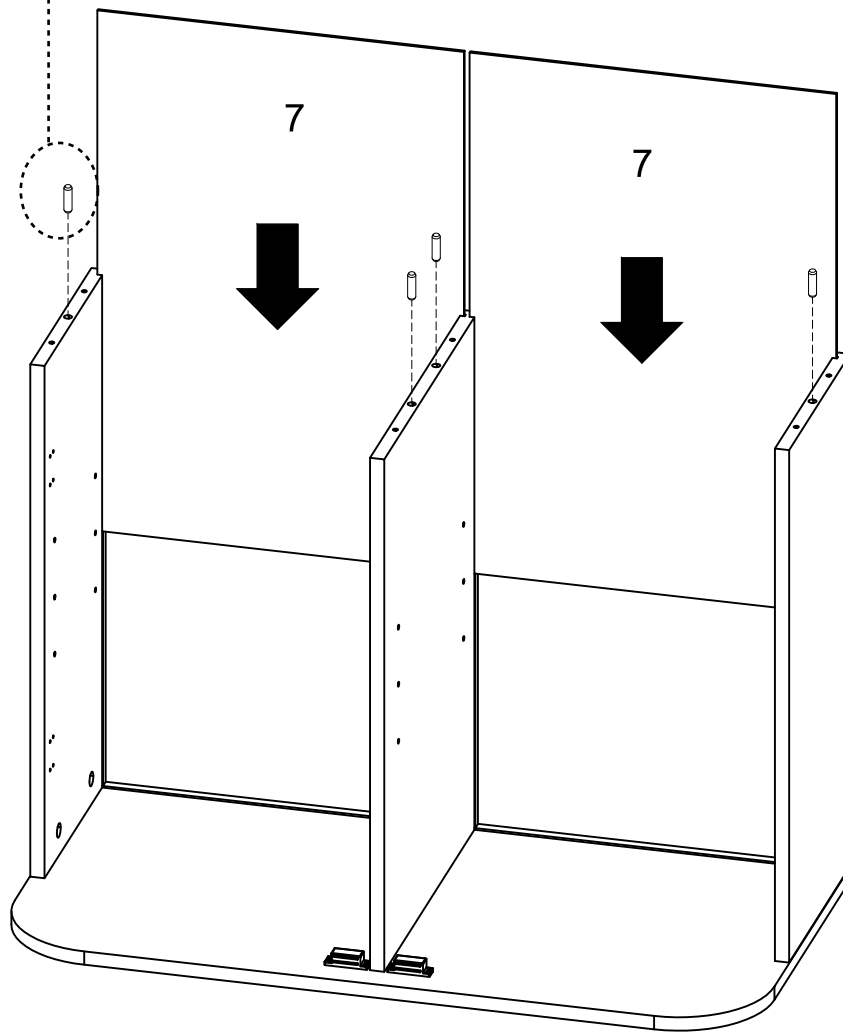
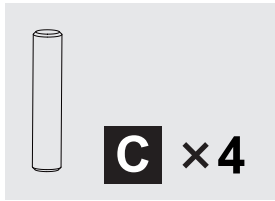
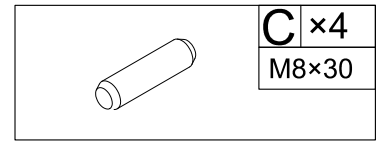
1


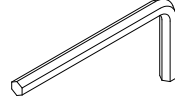
	<b>A</b> × 6 M6×35		<b>D</b> × 2
	<b>C</b> × 4 M8×30		<b>E</b> × 4 M3×16

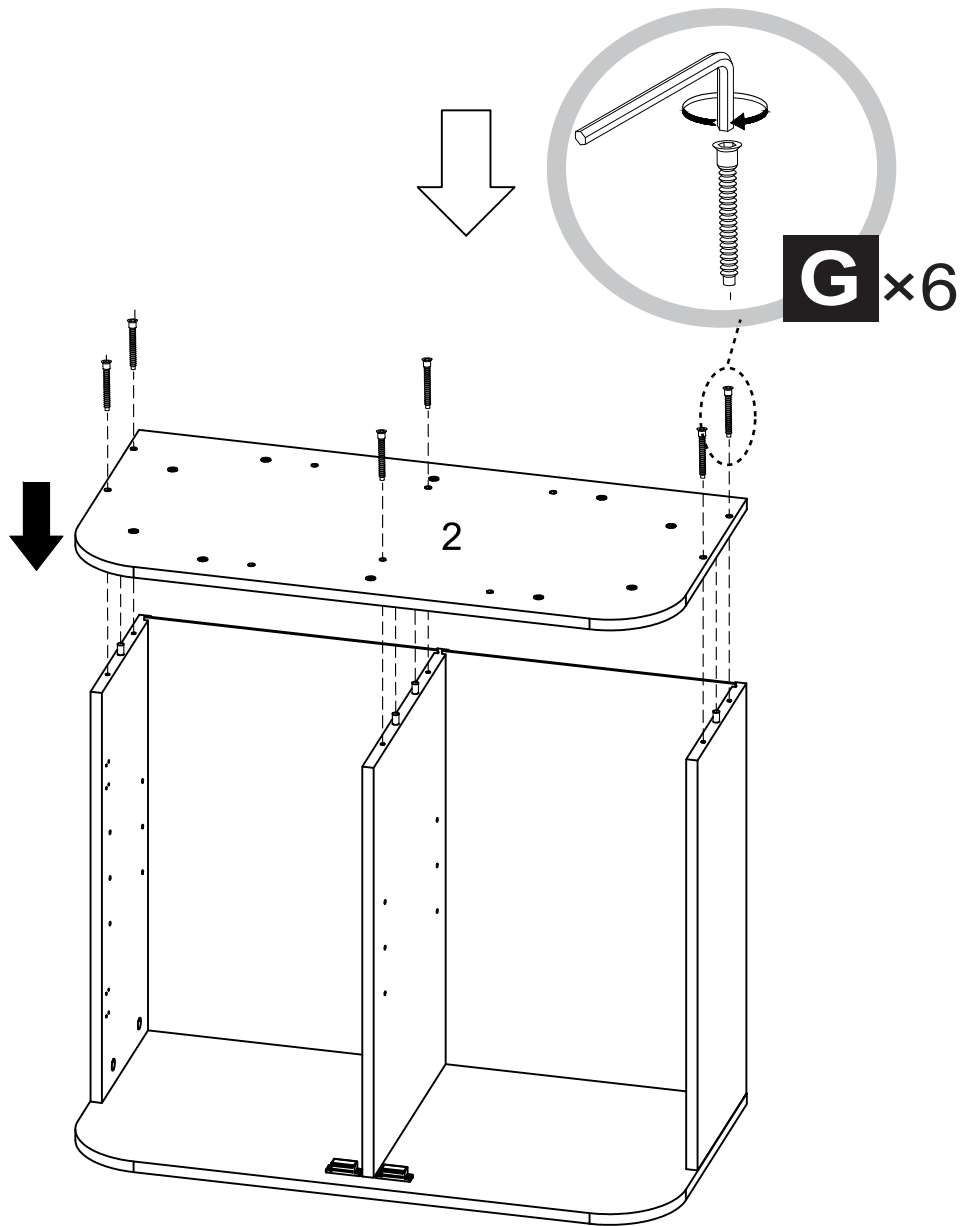




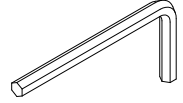


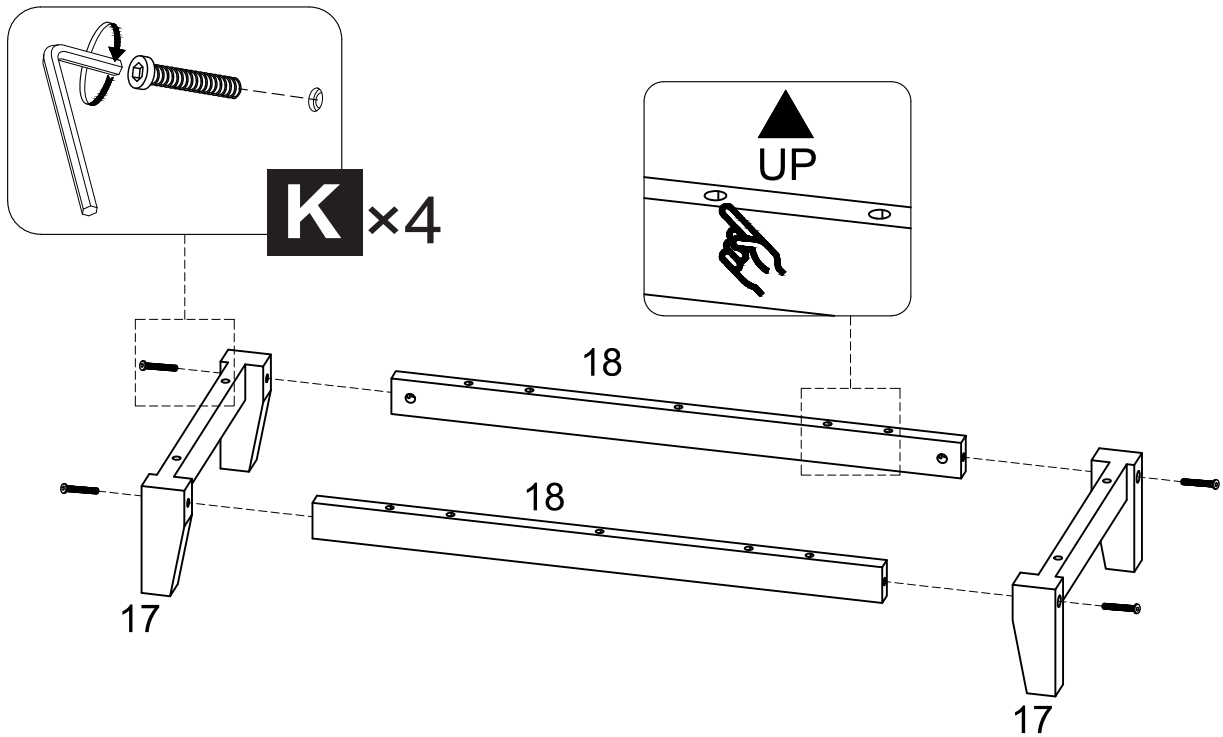
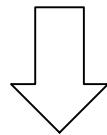
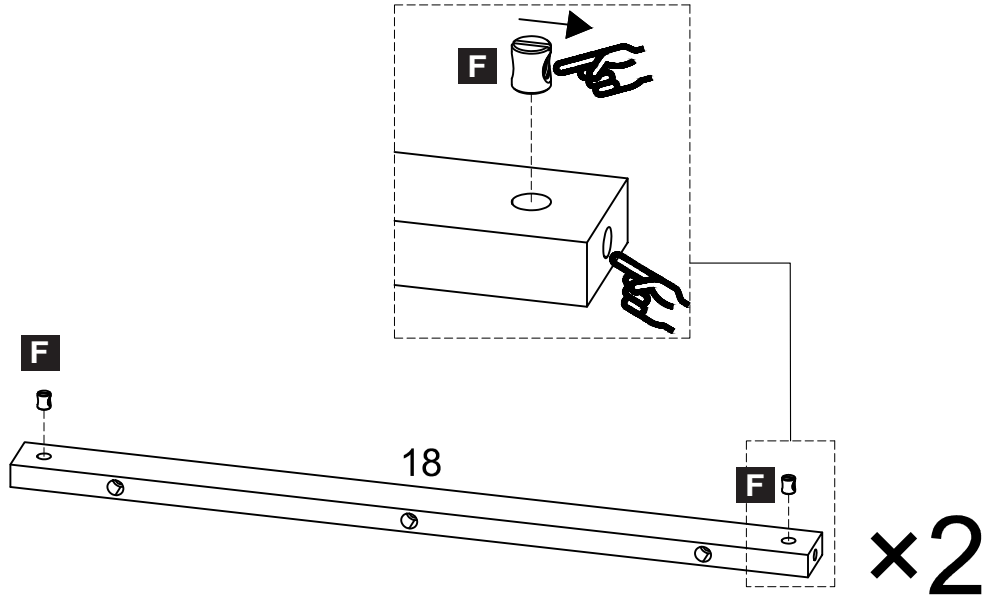
3



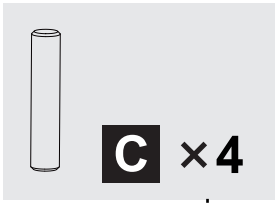
	<b>G</b> ×6
	M7×50
	<b>W</b> ×1



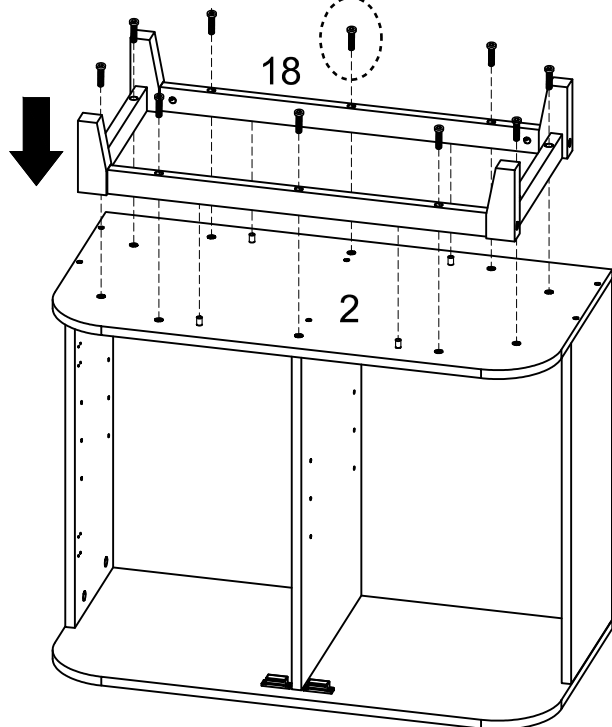
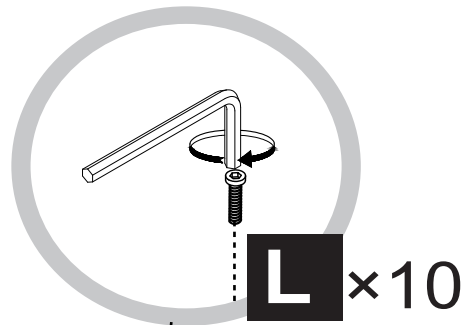
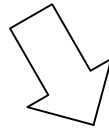
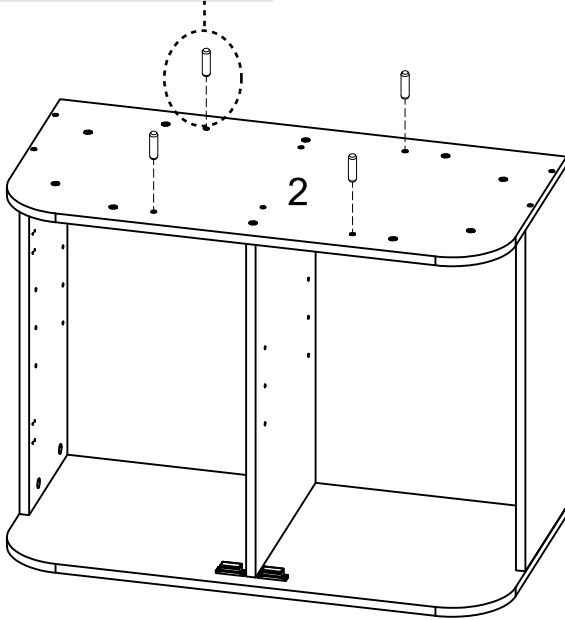
	<b>F</b> ×4 M10×12		<b>K</b> ×4 M6×55
			






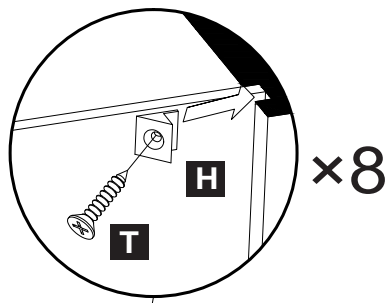
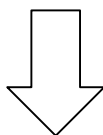
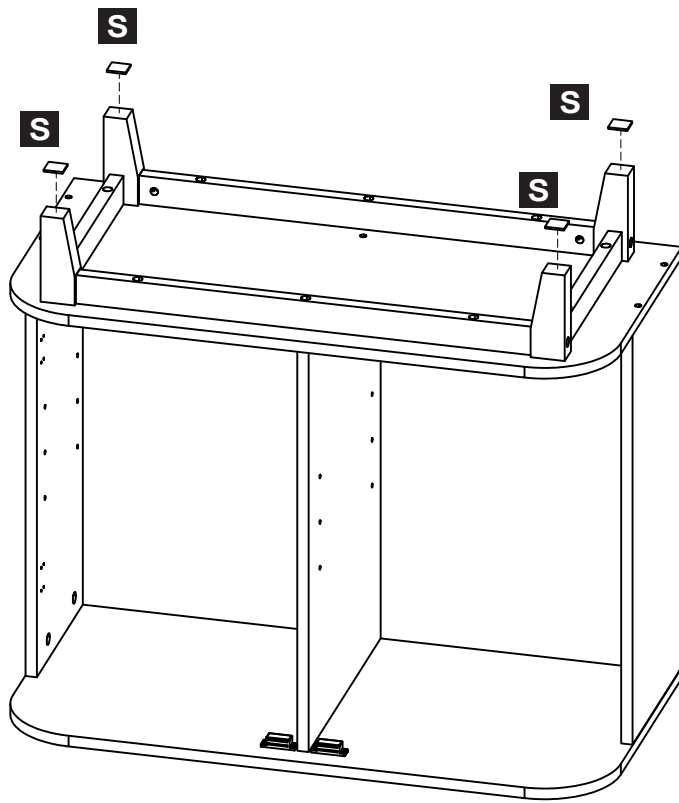
6



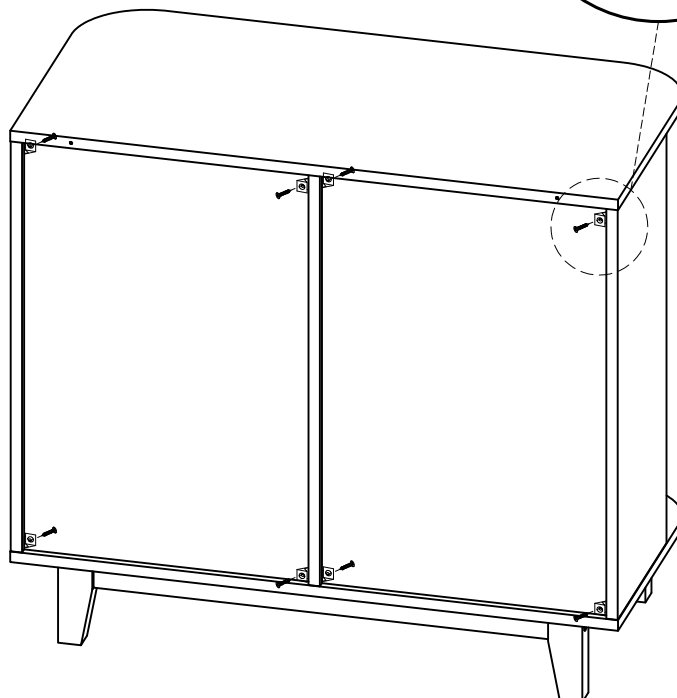
	<b>C</b> × 4 M8×30		<b>L</b> × 10 M6×35
			<b>W</b> × 1



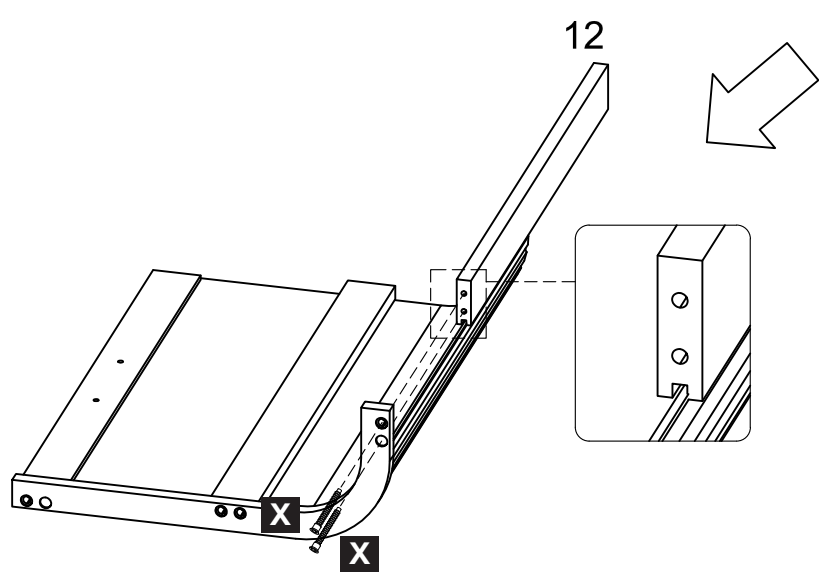
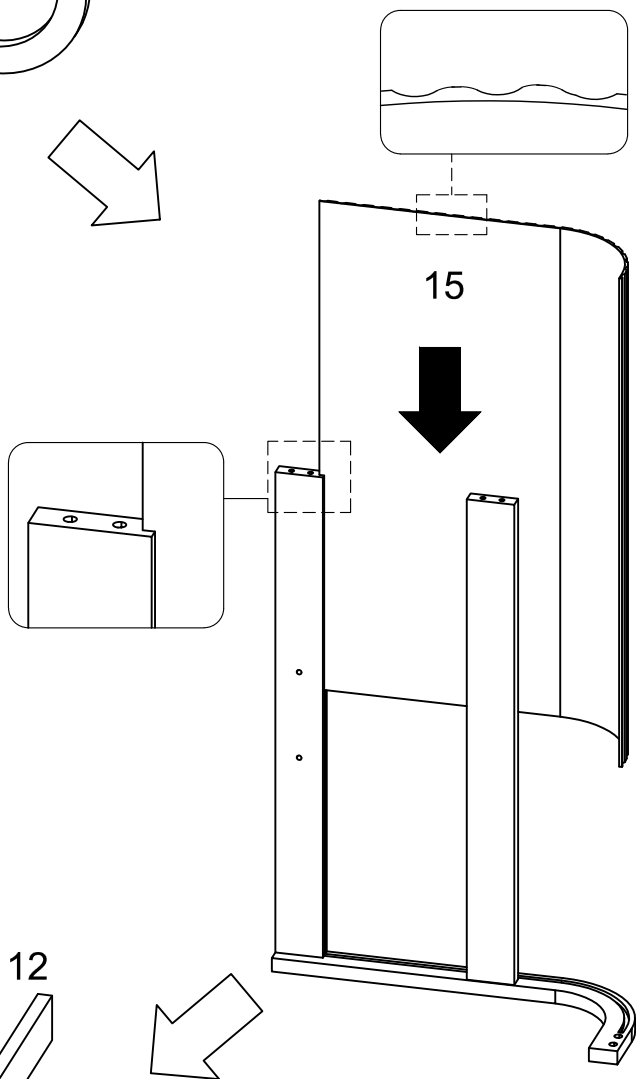
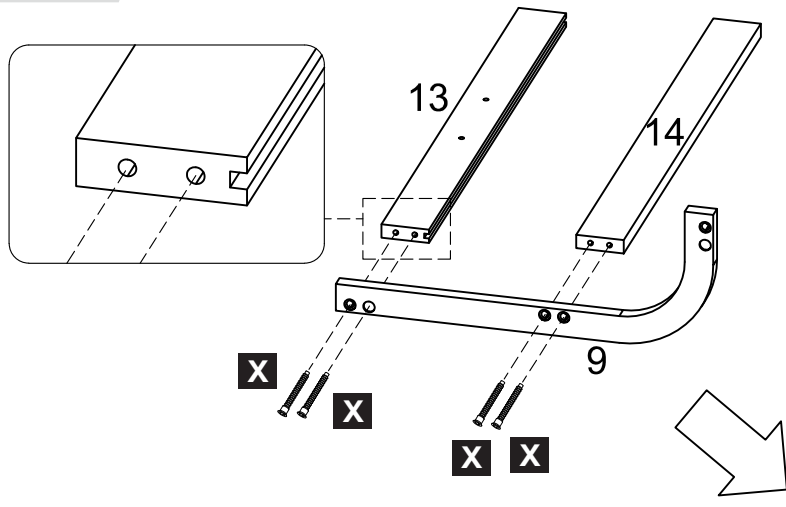
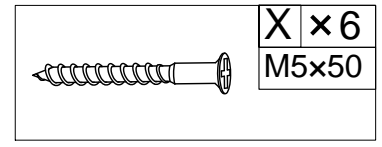
	<b>S</b> × 4 25×25×3		<b>H</b> × 8
			<b>T</b> × 8 M3.5×14



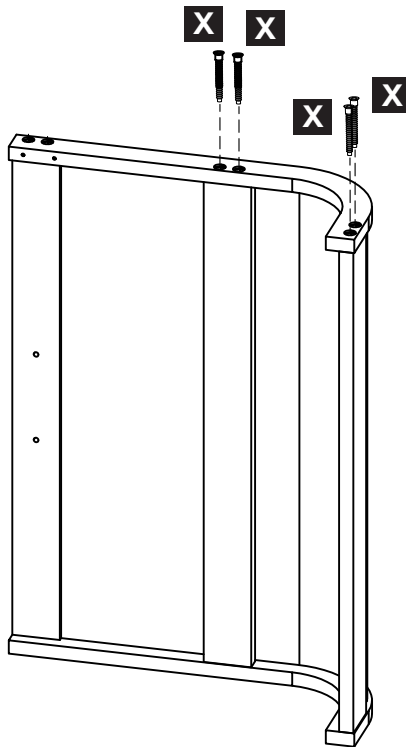
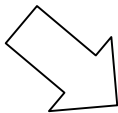
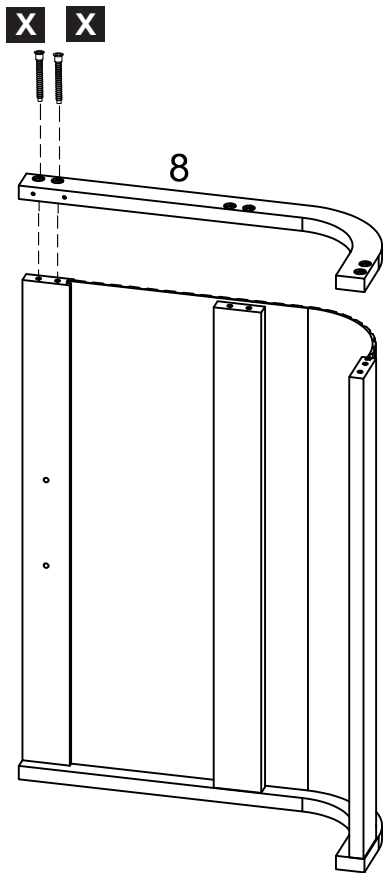
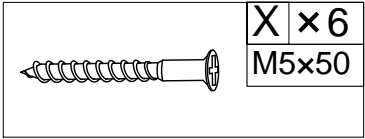
× 8


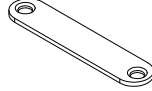
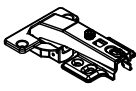
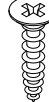


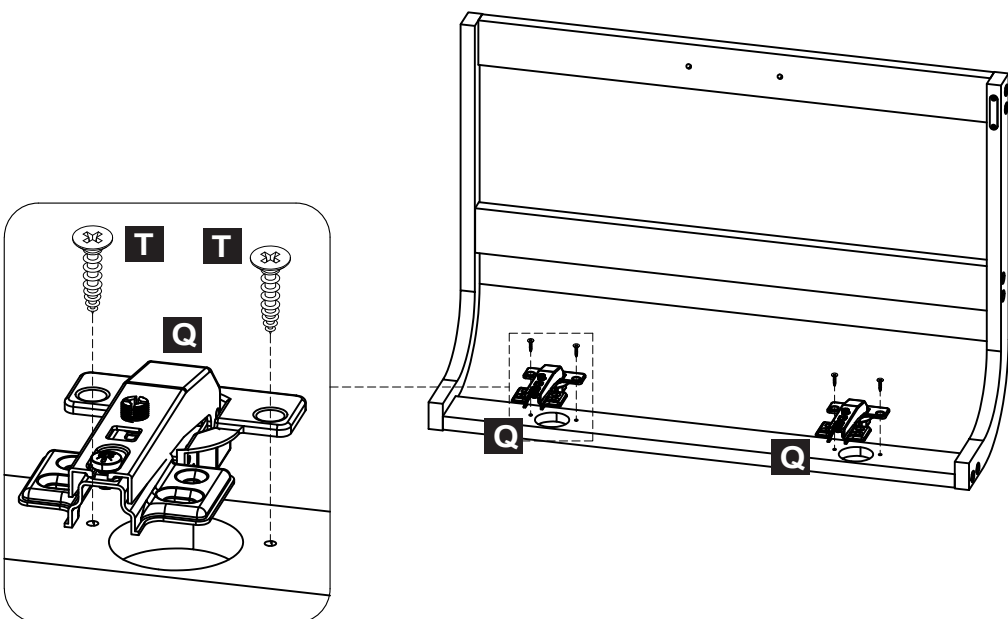
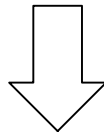
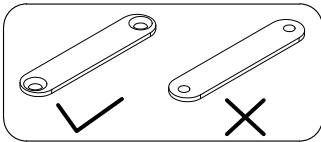
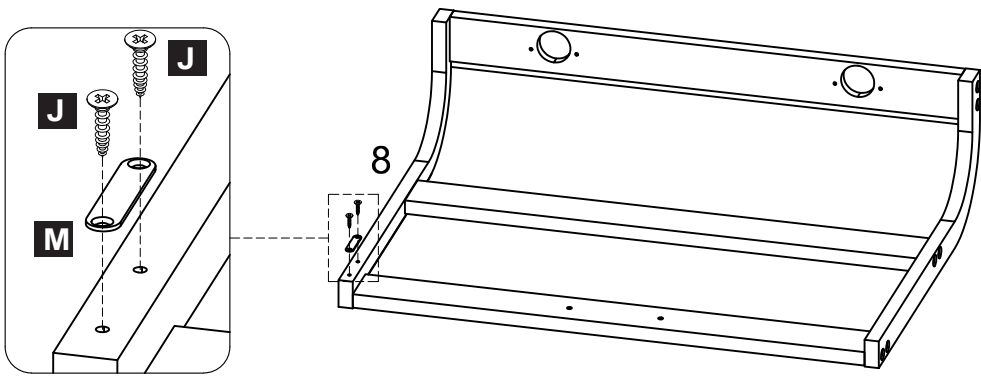
8



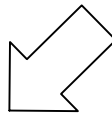
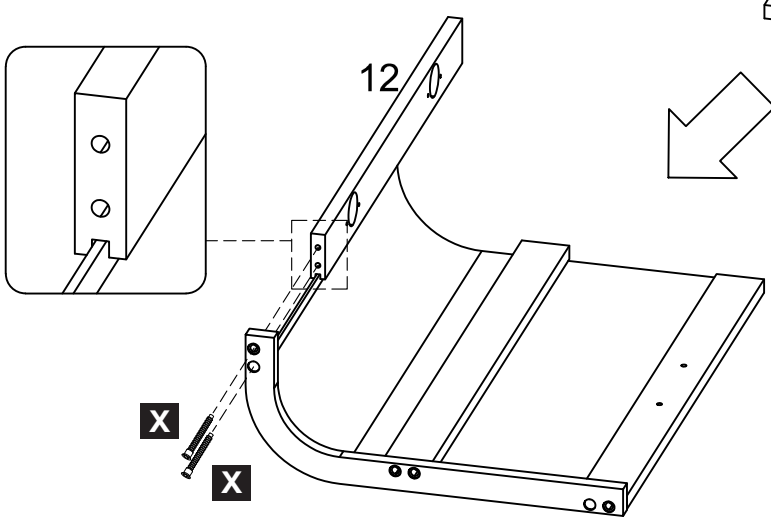
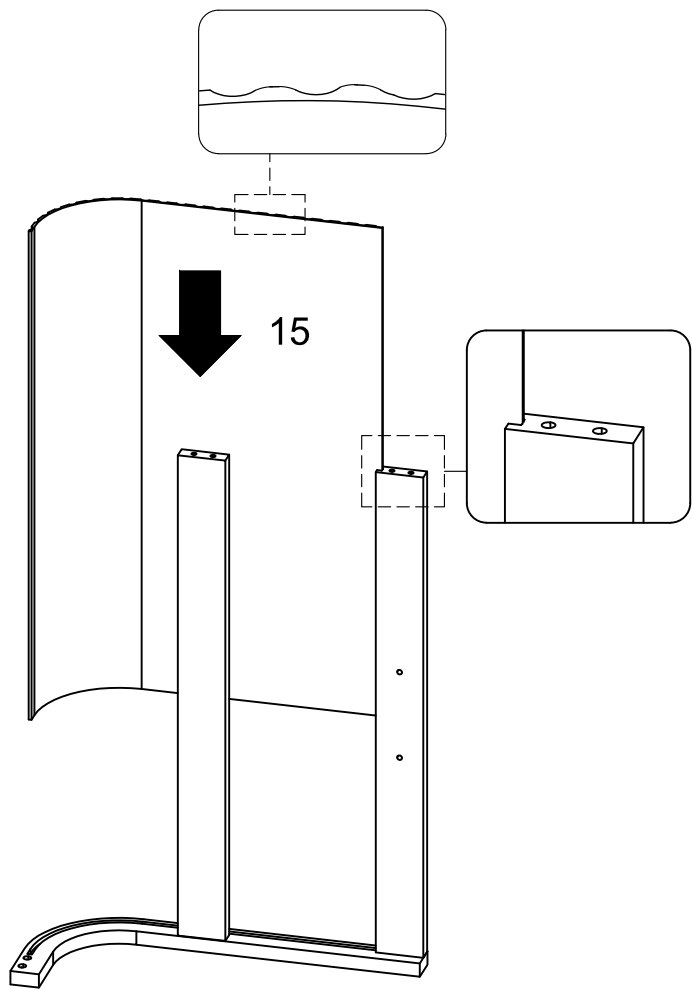
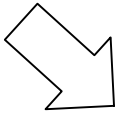
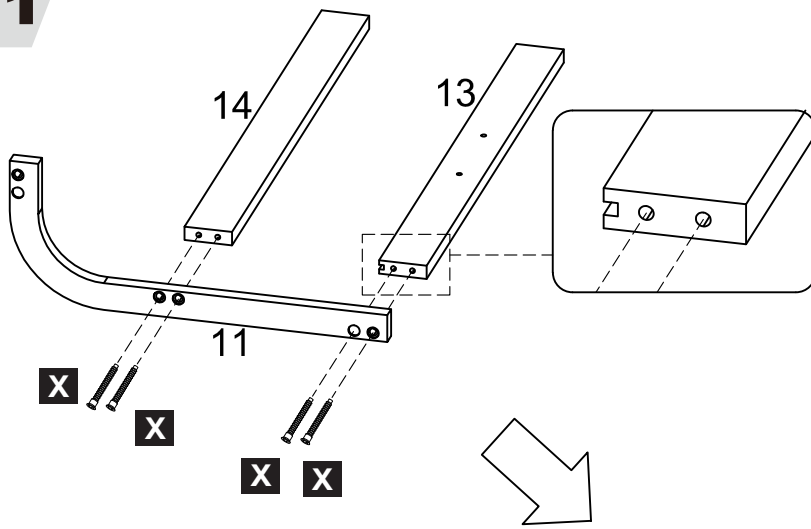
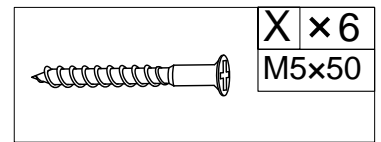
9

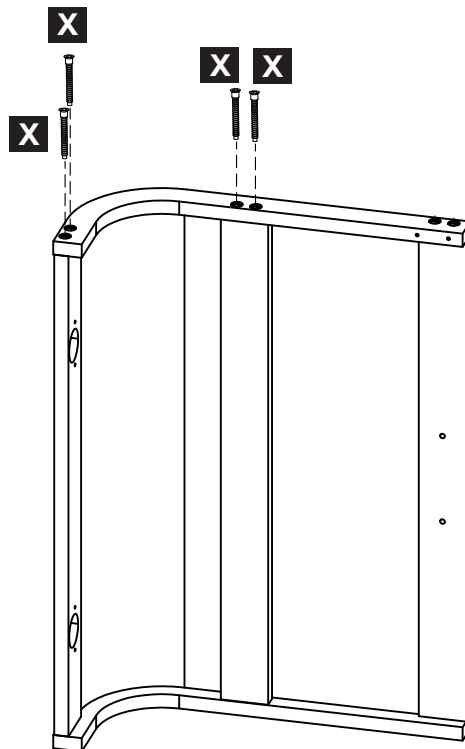
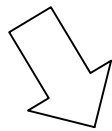
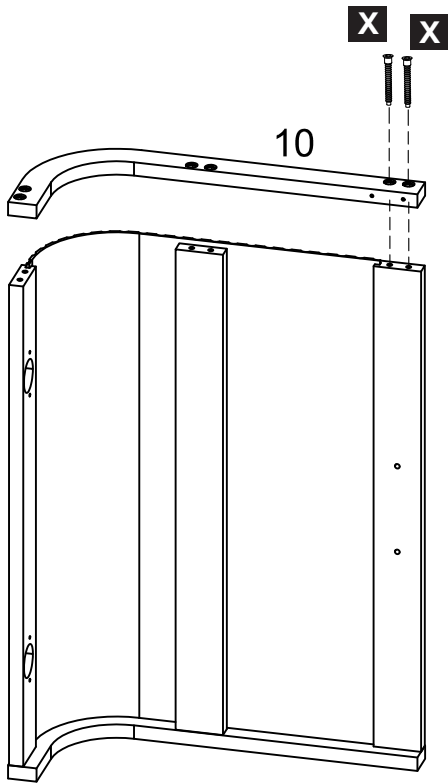
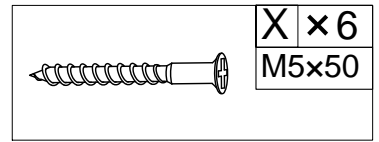



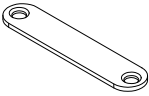

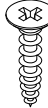
	<b>J</b> ×2 M3×12		<b>M</b> ×1
	<b>Q</b> ×2		<b>T</b> ×4 Ø3.5×14

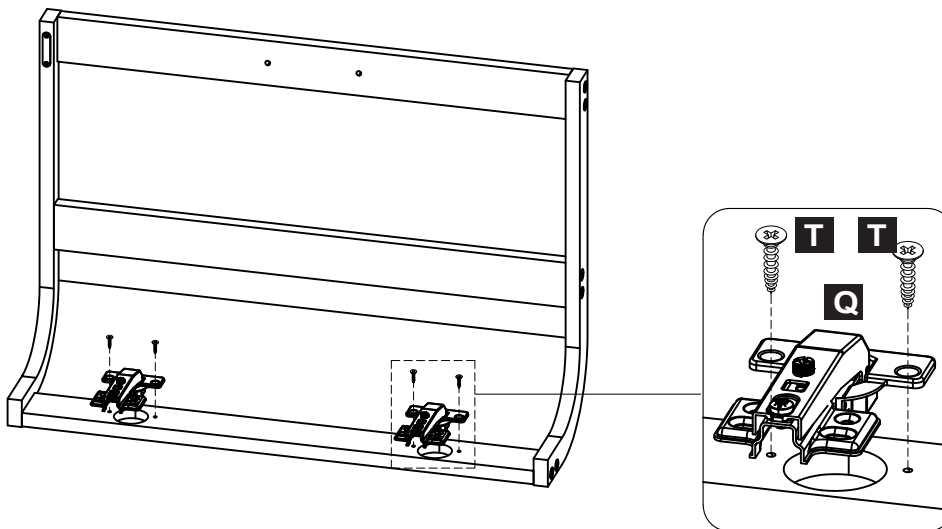
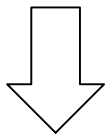
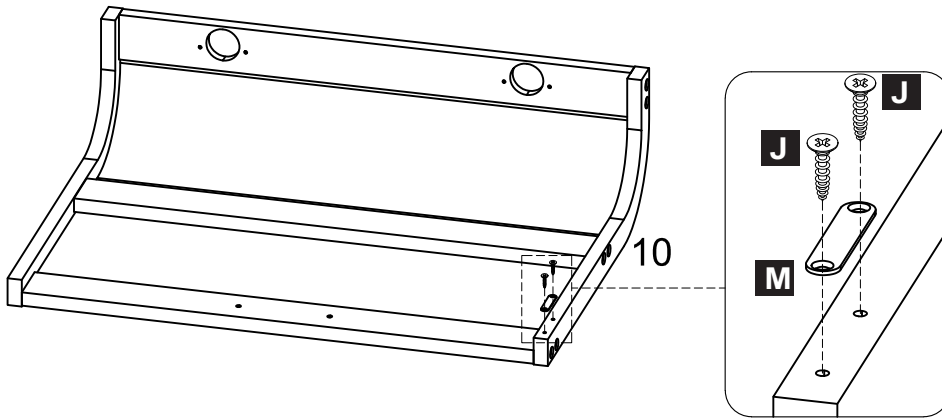


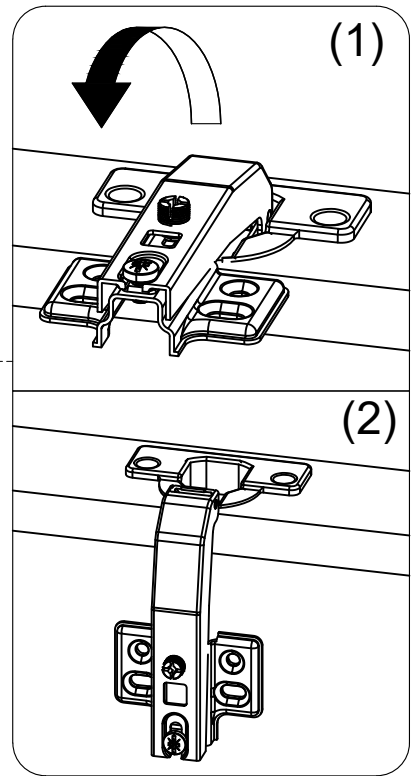
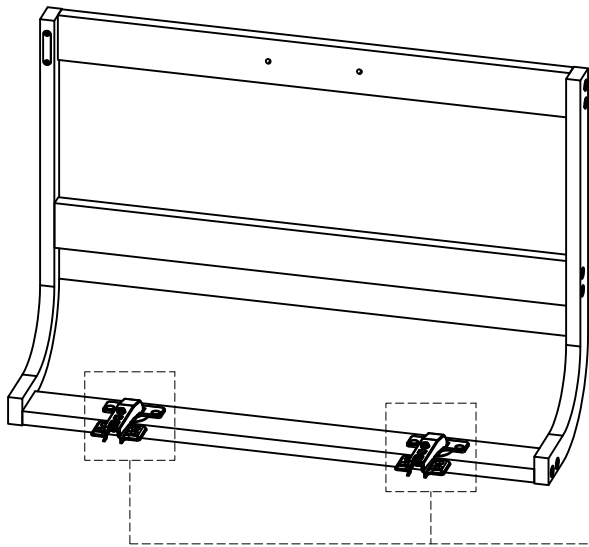
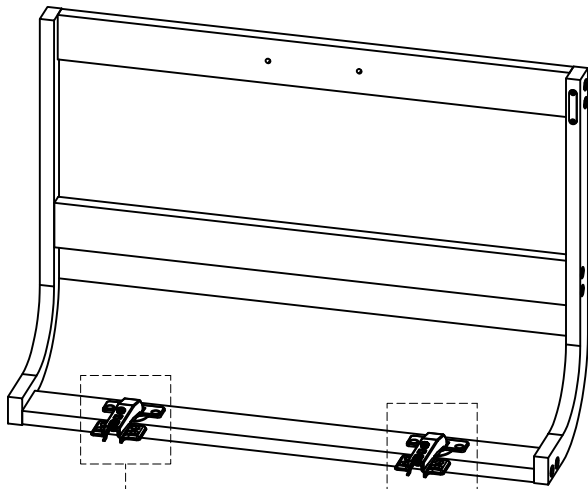
11



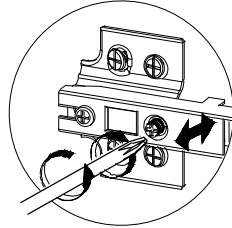
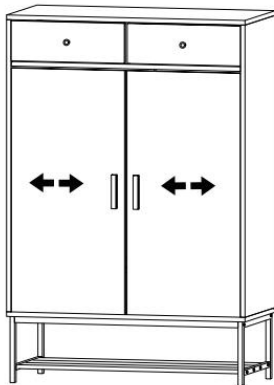
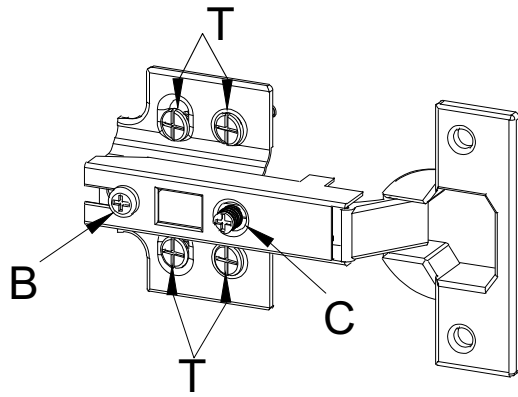


	<b>J</b> ×2 M3×12		<b>M</b> ×1
	<b>Q</b> ×2		<b>T</b> ×4 Ø3.5×14





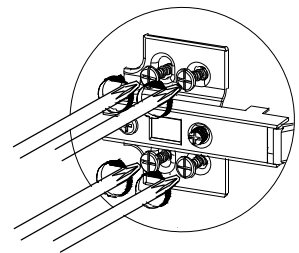
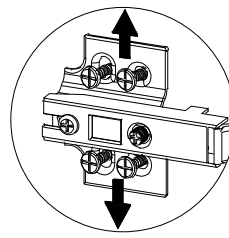
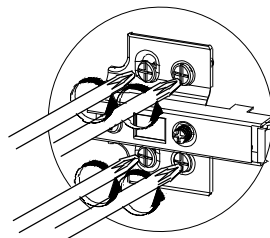
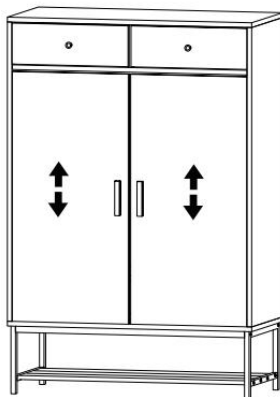
# YOU WILL USE THIS PAGE FOR THE NEXT STEP



If you find a large gap between or beside the door

**To adjust side ways.**

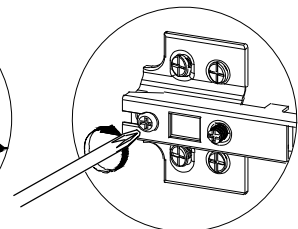
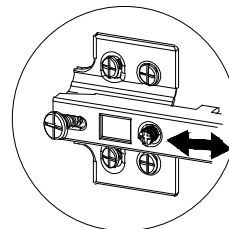
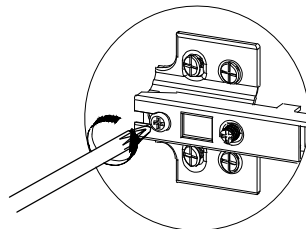
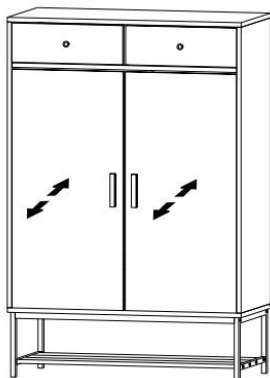
Turning the screw "C" on BOTH hinges on each door.



If you find a large gap above or below the door

**To adjust the vertical height.**

Loosen the four screws "T" on both hinges. Two of them are usually in slotted holes which allows you to adjust up or down by a few mm. Then tighten back up.

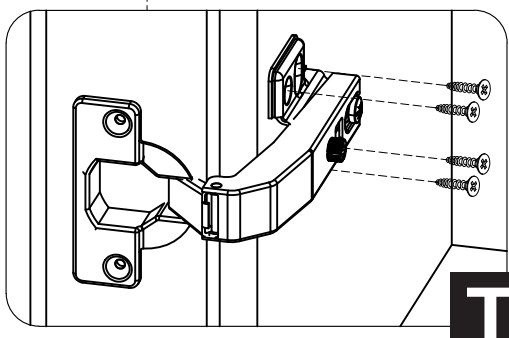
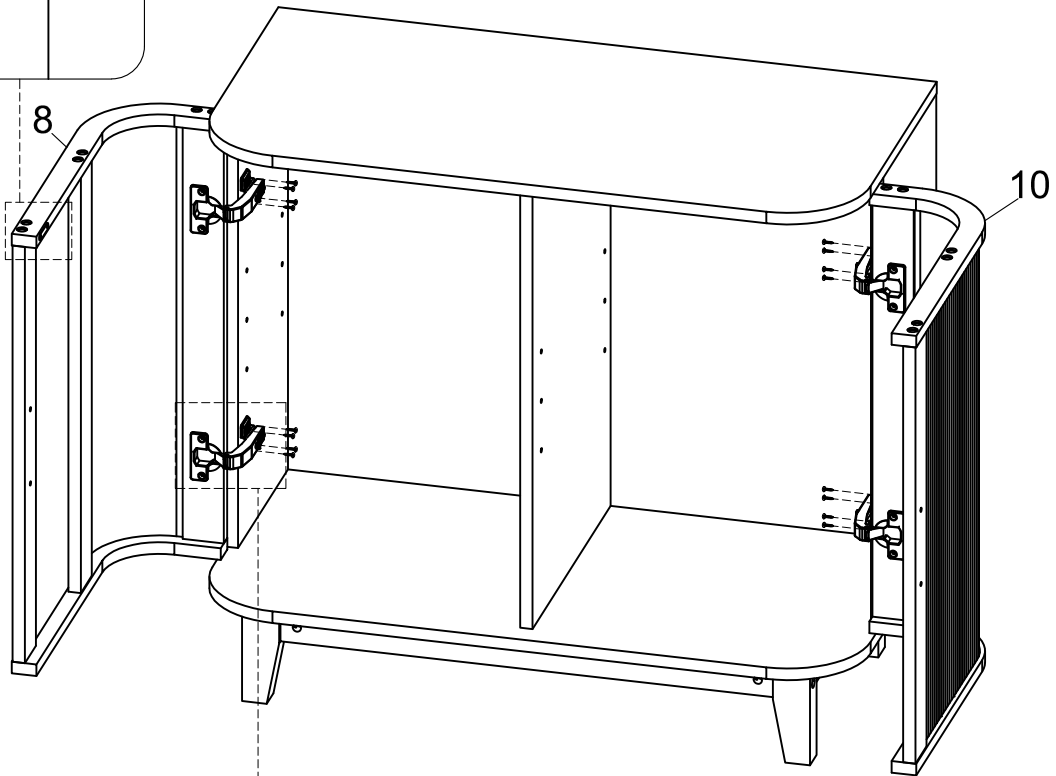
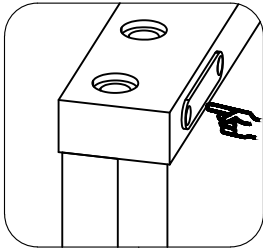
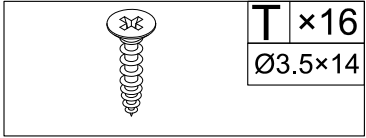


If you find the door is too protruding or too inside.

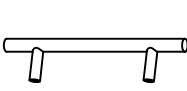

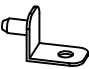

**To adjust depth.**

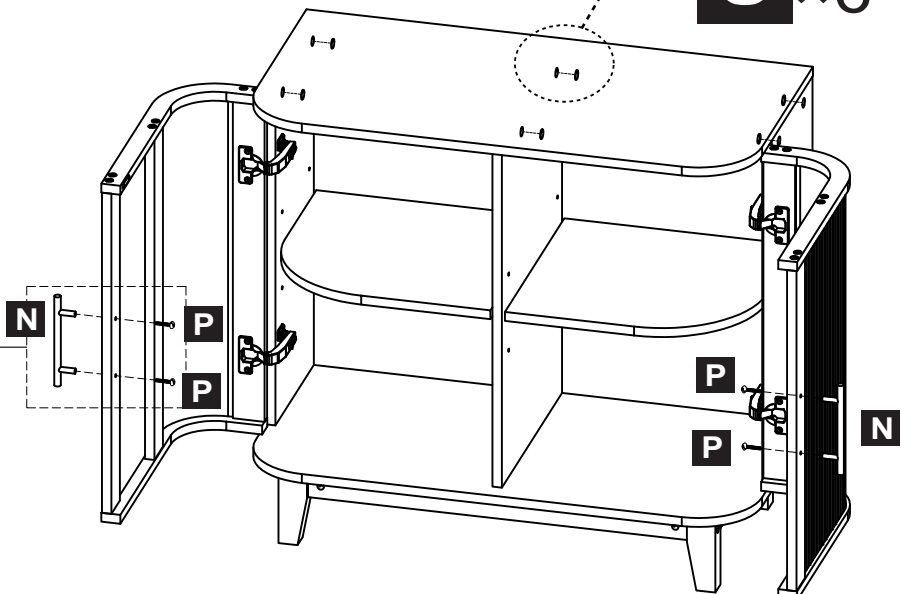
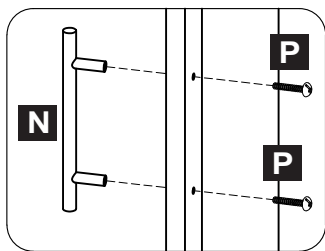
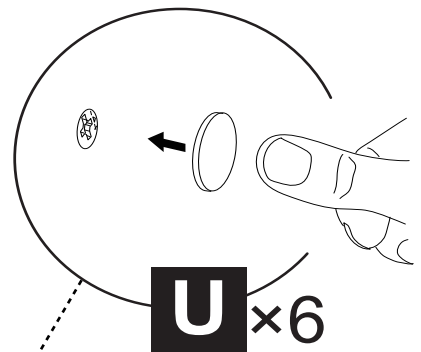
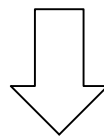
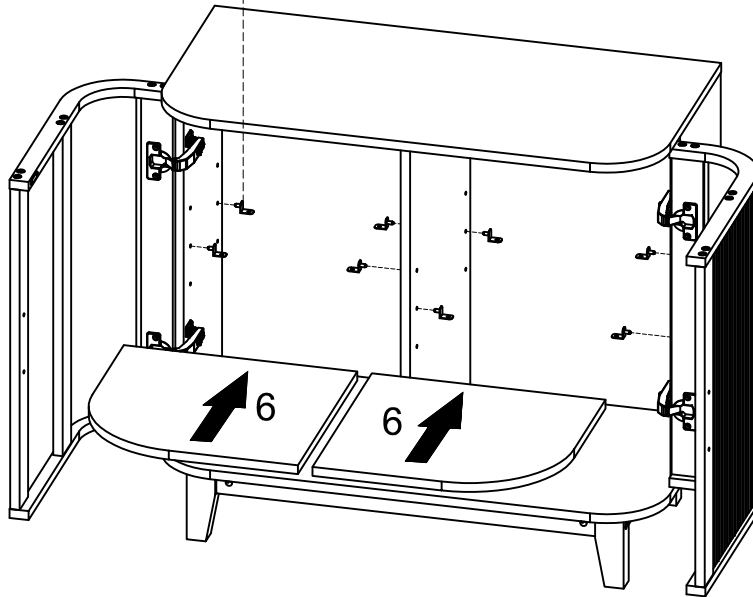
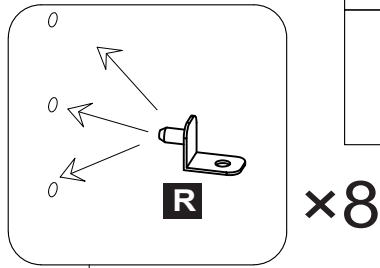
Loosen screw "B" and adjust door, if the door can not be adjusted, please loosen screw "C", then try again. Tighten screw "B" and "C".

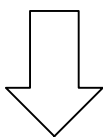
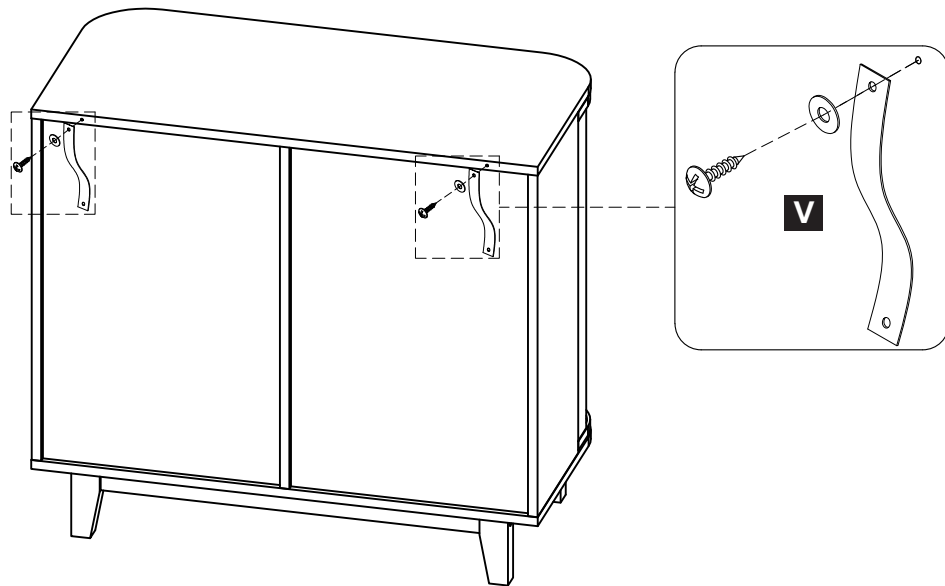
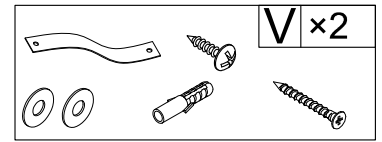
15



**T** × 4

	<b>N</b> x2		<b>P</b> x4 M4x22
	<b>R</b> x8		<b>U</b> x6 M20





- (1) **WALL**
- (2) **WALL**  
drilling hole  
Ø6x30mm
- (3) **WALL**  
**V**
- (4) **V**

