

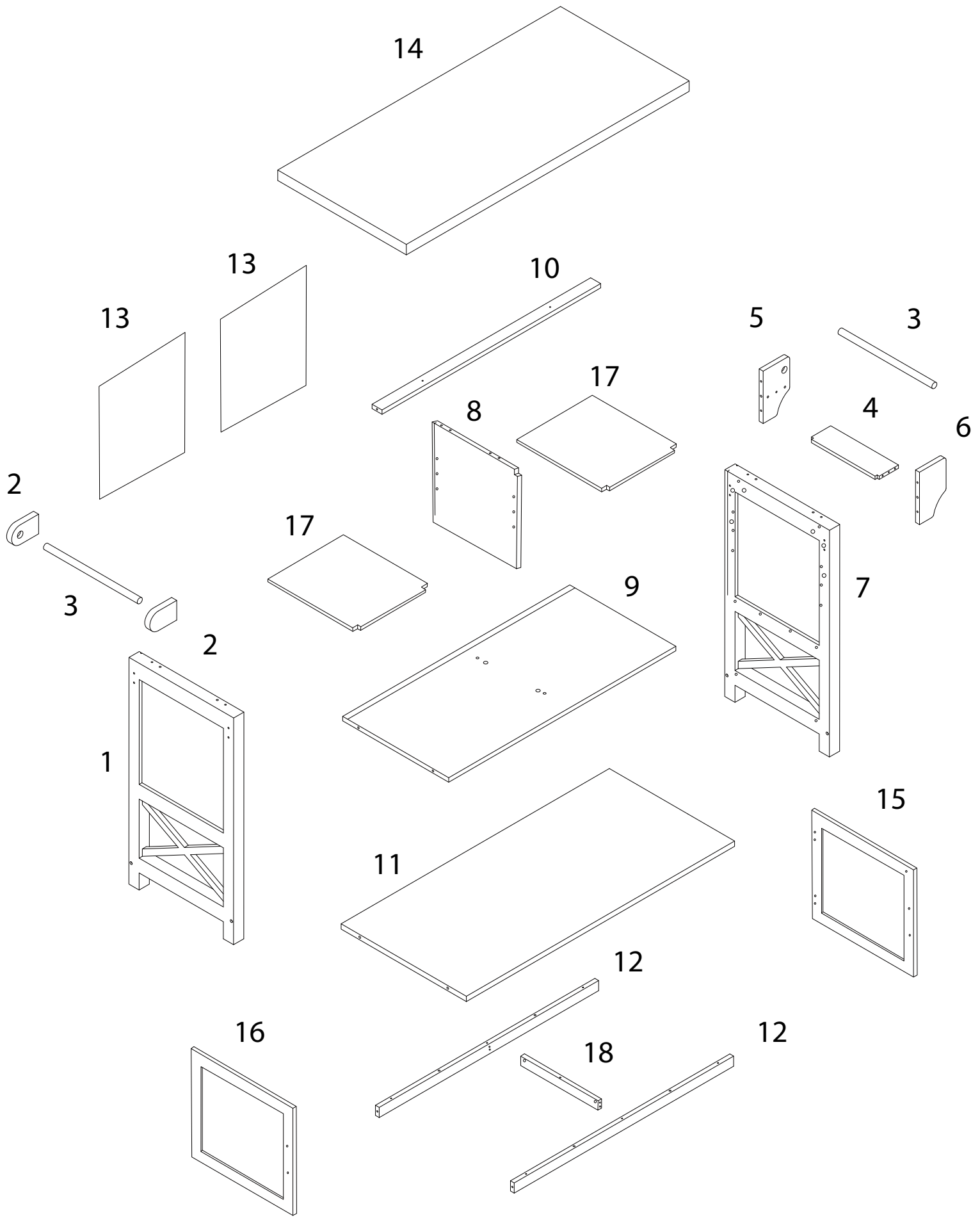
Assembly instructions for the cart, including tool requirements, time estimate, and personnel needed.

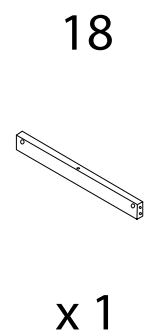
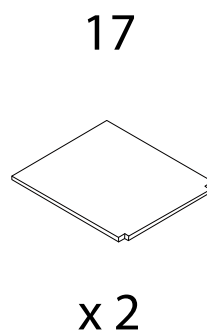
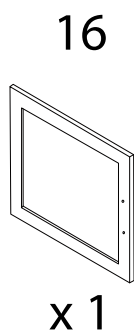
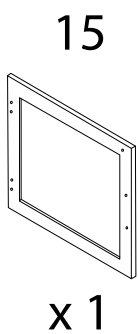
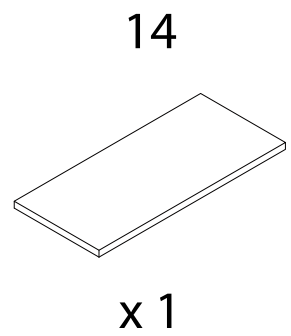
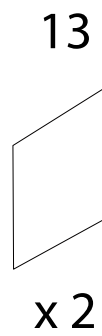
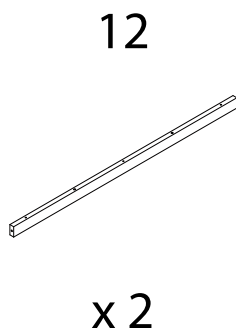
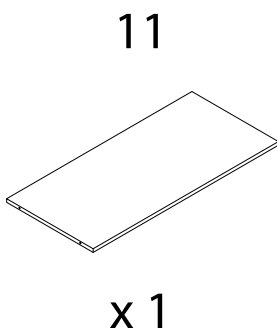
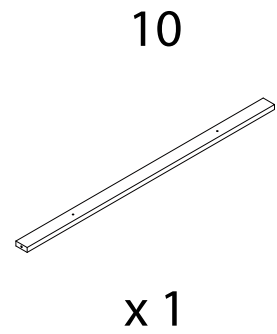
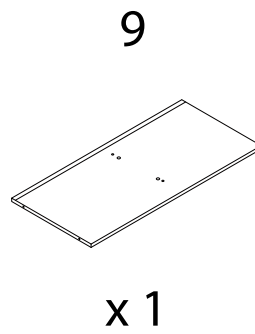
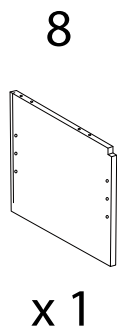
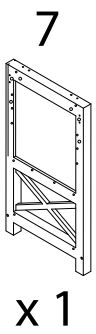
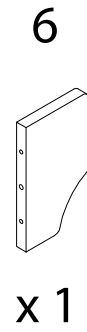
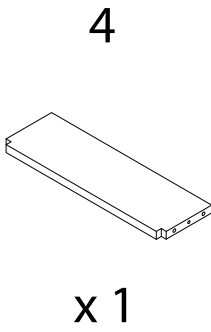
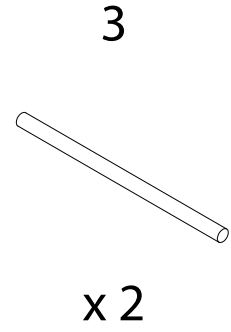
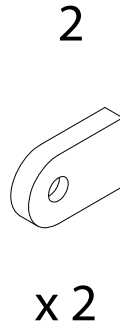
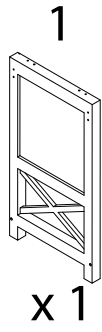
**Tools:** A circle containing a screwdriver and an Allen key. A power drill is shown with a diagonal line through it, indicating it is not required.

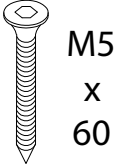

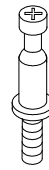
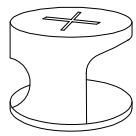
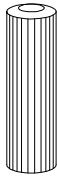
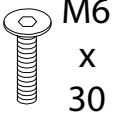
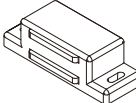
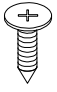

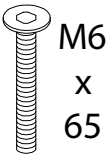
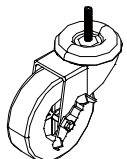
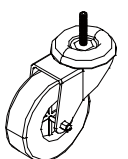
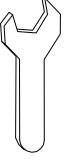
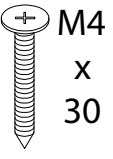
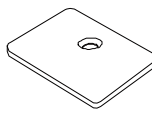
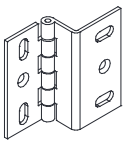
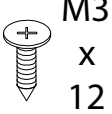
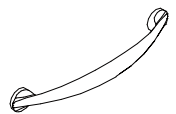
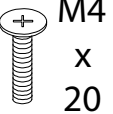
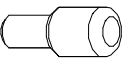
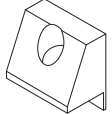
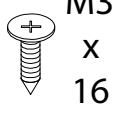
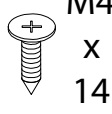
**Time:** A clock icon with the text "90'" below it, indicating a 90-minute assembly time.

**Personnel:** A stick figure icon with the number "2" below it, indicating that two people are required for assembly.

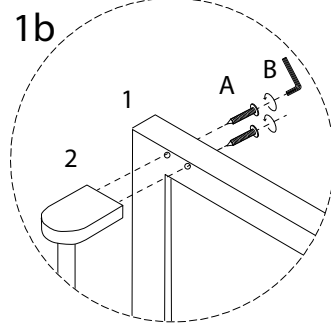
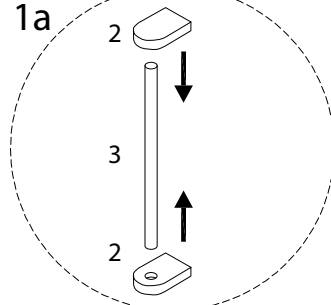
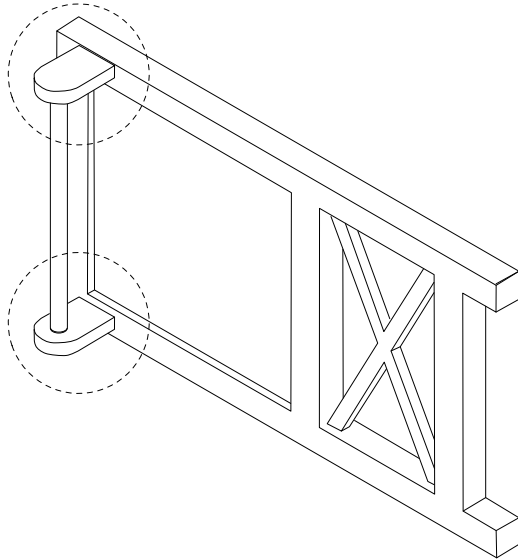
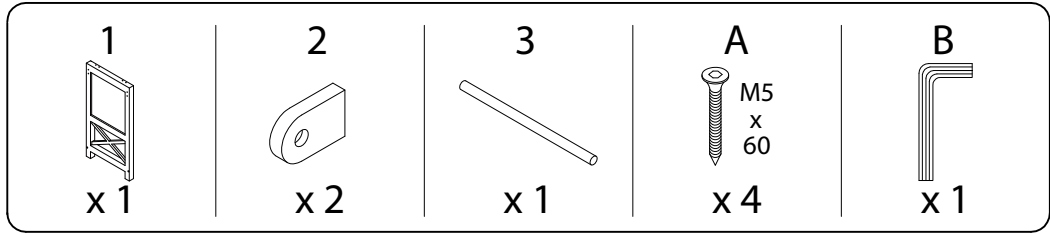
**Warnings:** Two warning triangles (exclamation marks in triangles) are positioned to the right of the tool and personnel icons, indicating safety warnings.



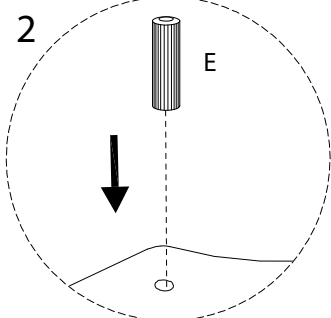
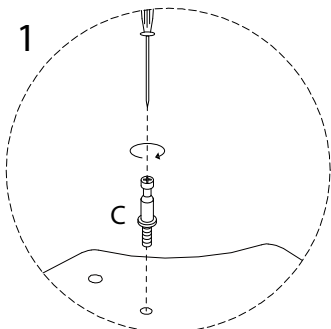
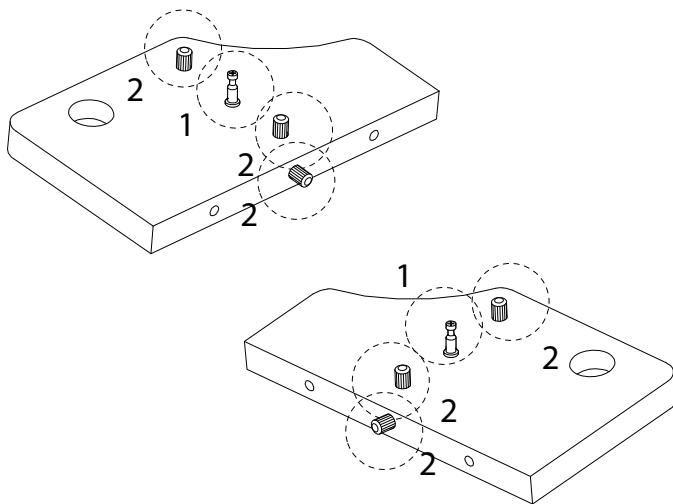
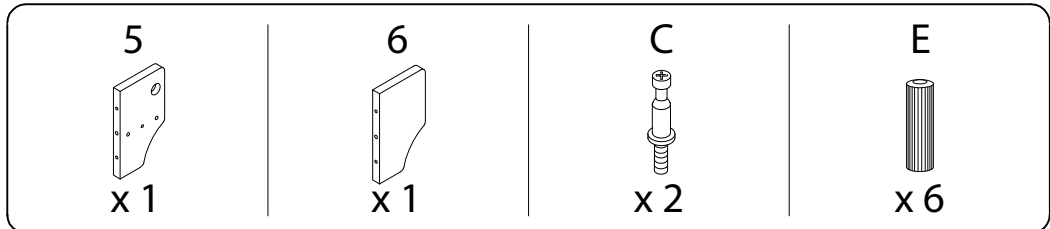


<p><b>A</b></p>  <p>M5 x 60</p> <p>x 6</p>	<p><b>B</b></p>  <p>x 1</p>	<p><b>C</b></p>  <p>x 16</p>	<p><b>D</b></p>  <p>x 16</p>	
<p><b>E</b></p>  <p>x 30</p>	<p><b>F</b></p>  <p>M6 x 30</p> <p>x 9</p>	<p><b>G</b></p>  <p>x 2</p>	<p><b>H</b></p>  <p>M3.5 x 15</p> <p>x 4</p>	
<p><b>I</b></p>  <p>x 8</p>	<p><b>J</b></p>  <p>M6 x 65</p> <p>x 8</p>	<p><b>K</b></p>  <p>x 2</p>	<p><b>L</b></p>  <p>x 2</p>	<p><b>M</b></p>  <p>x 1</p>
<p><b>N</b></p>  <p>M4 x 30</p> <p>x 2</p>	<p><b>O</b></p>  <p>x 2</p>	<p><b>P</b></p>  <p>x 4</p>	<p><b>Q</b></p>  <p>M3 x 12</p> <p>x 2</p>	<p><b>R</b></p>  <p>x 2</p>
<p><b>S</b></p>  <p>M4 x 20</p> <p>x 4</p>	<p><b>T</b></p>  <p>x 8</p>	<p><b>U</b></p>  <p>x 4</p>	<p><b>V</b></p>  <p>M3 x 16</p> <p>x 4</p>	<p><b>W</b></p>  <p>M4 x 14</p> <p>x 24</p>

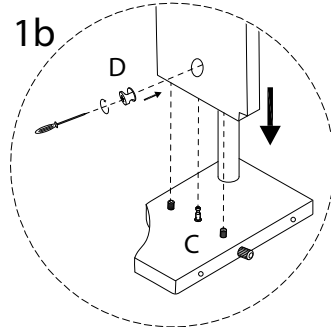
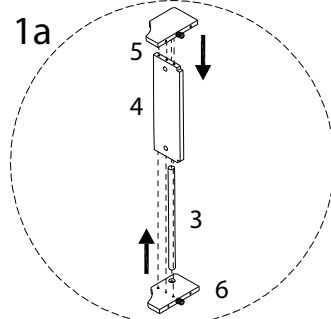
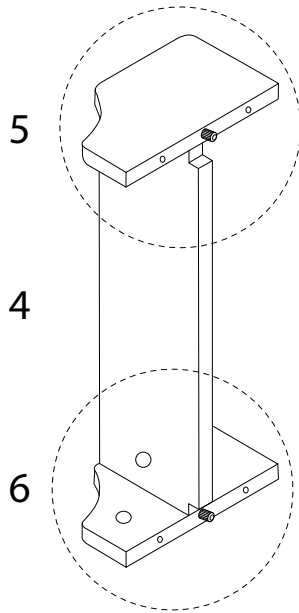
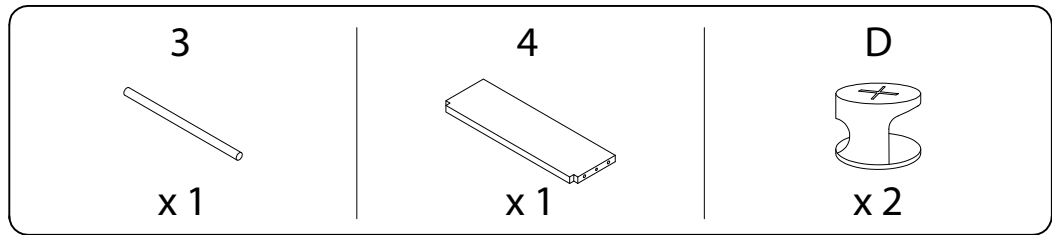
1



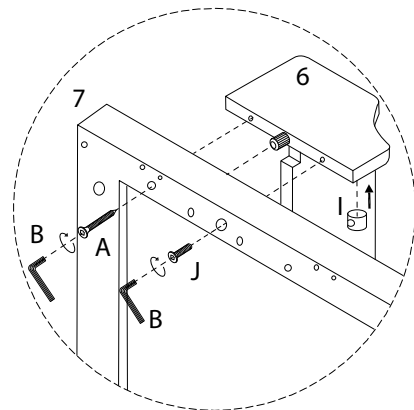
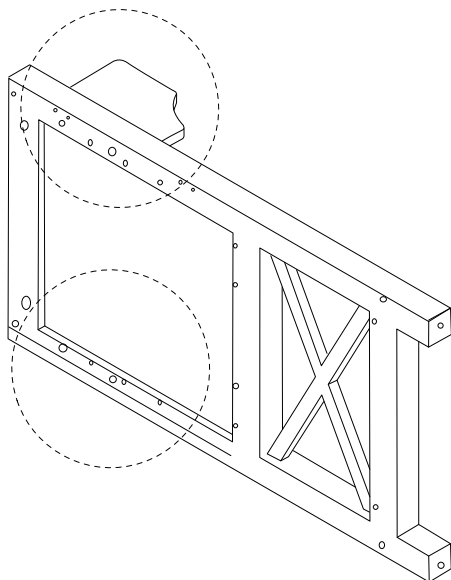
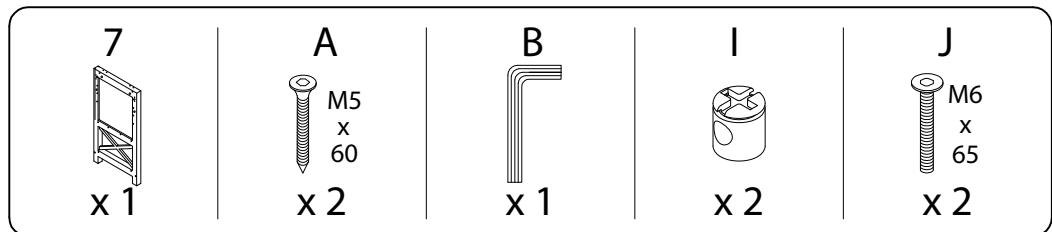
2



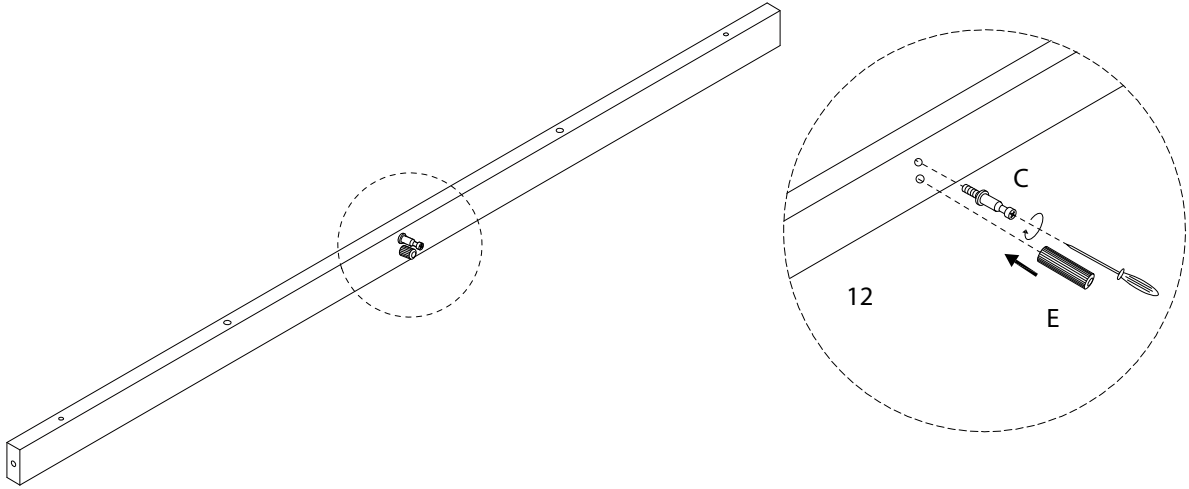
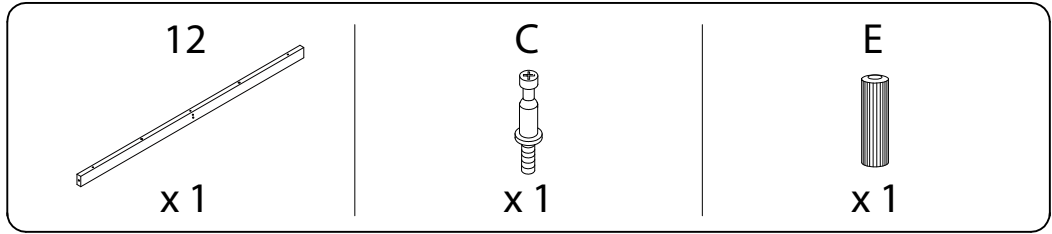
3



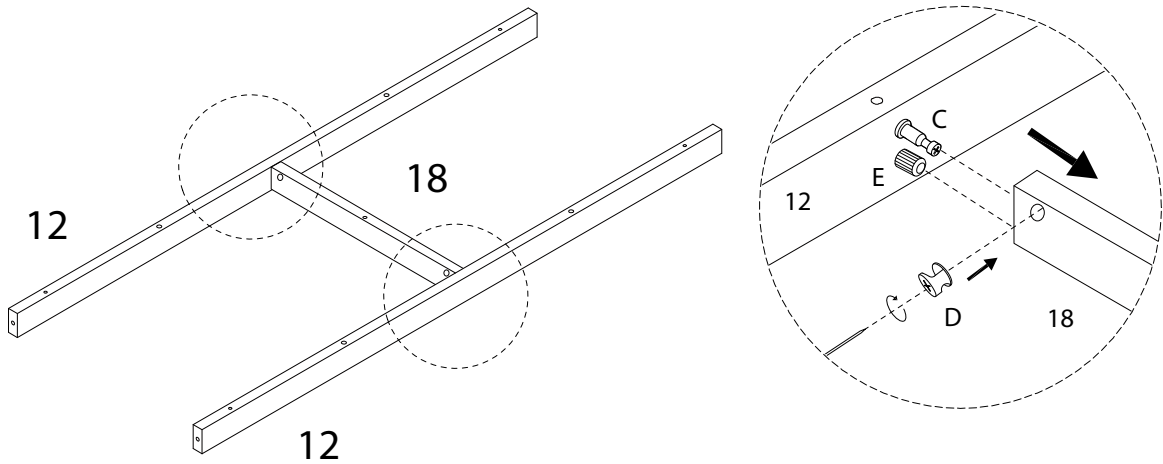
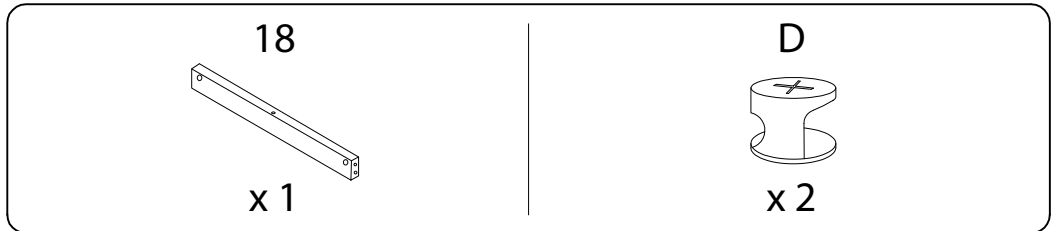
4



5 x 2

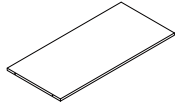


6



7

11

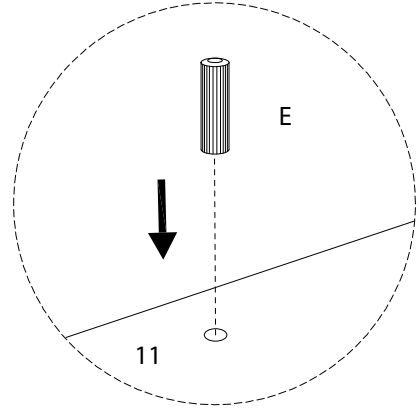
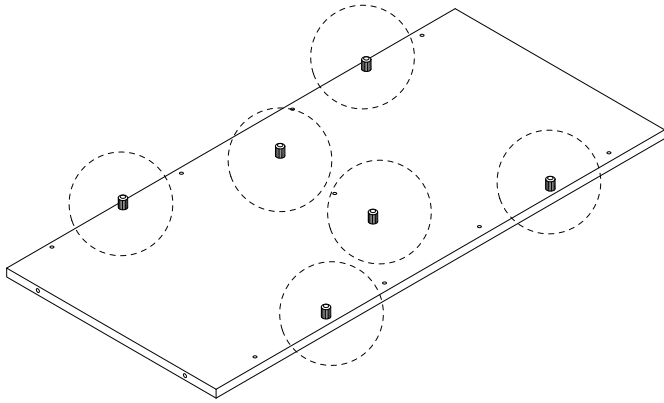


x 1

E

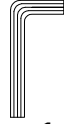


x 6



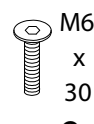
8

B

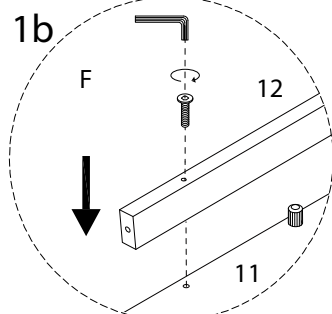
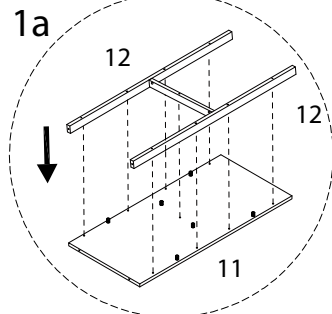
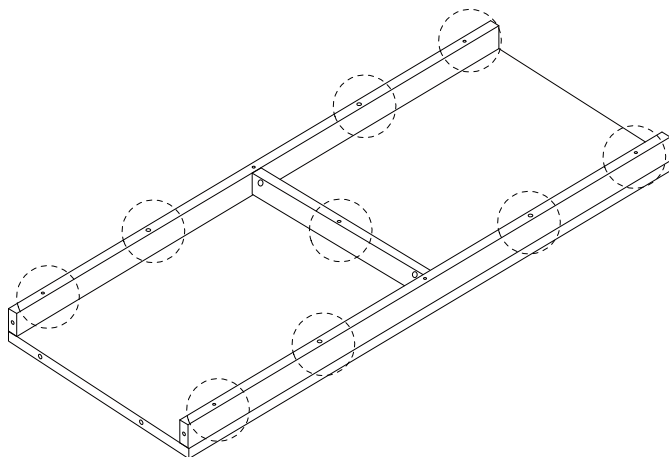


x 1

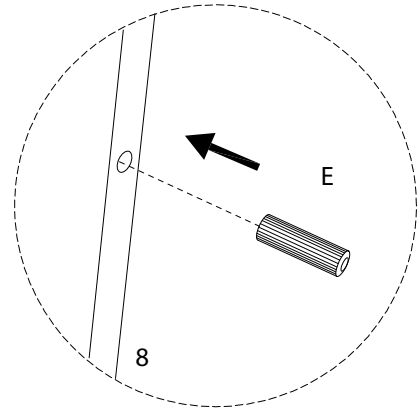
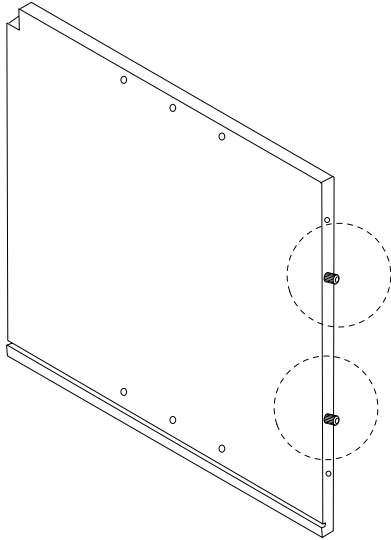
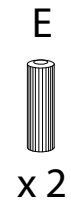
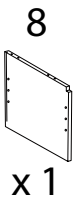
F



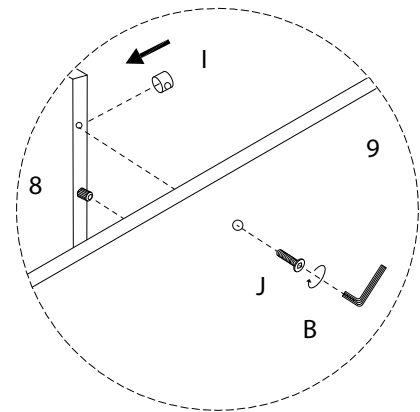
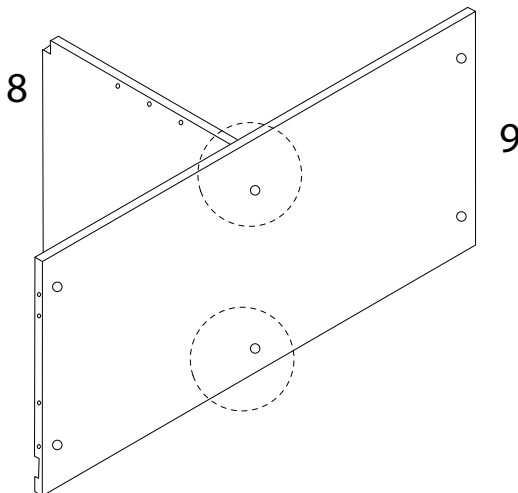
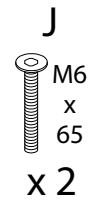
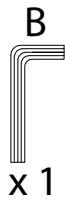
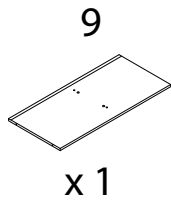
x 9



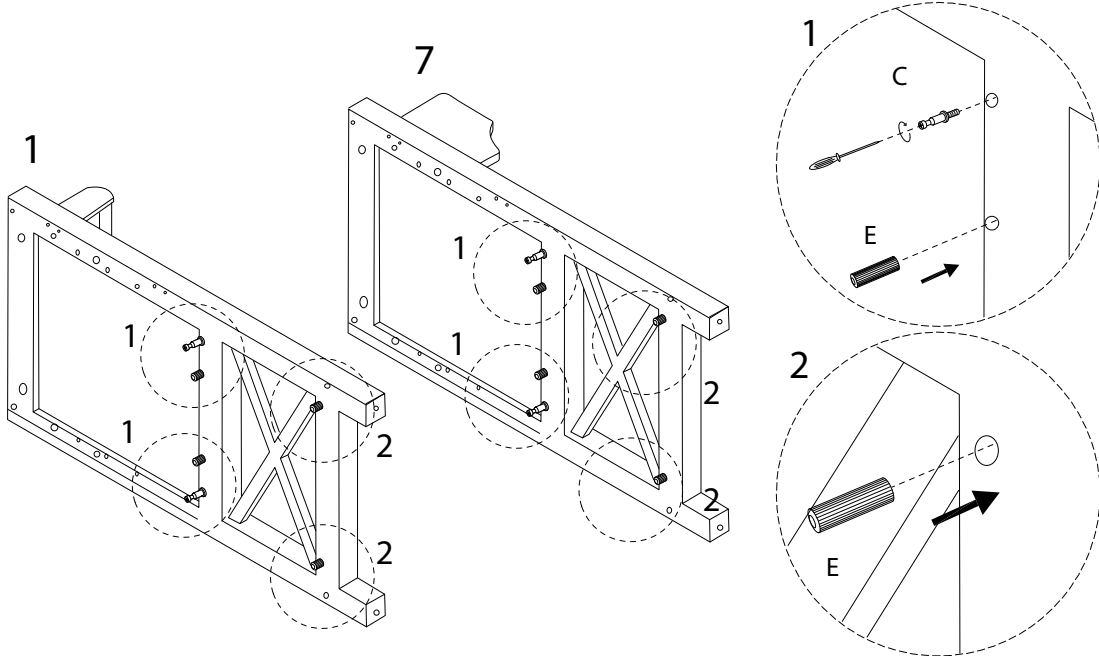
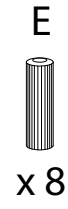
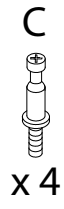
9



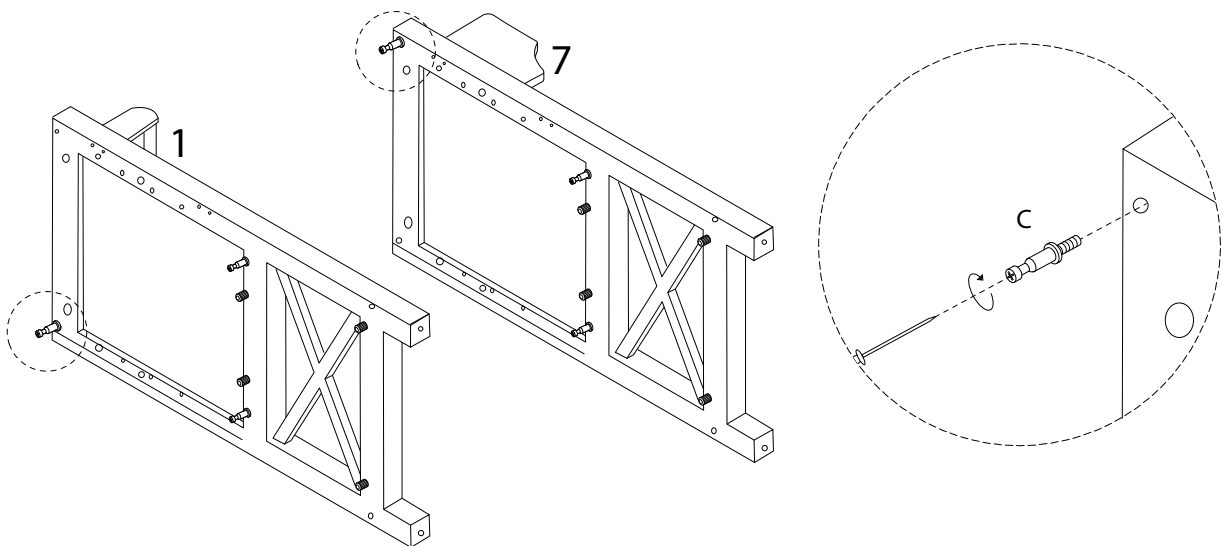
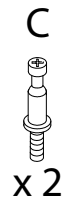
10



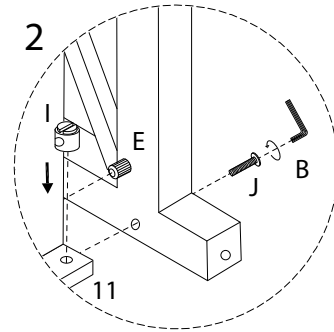
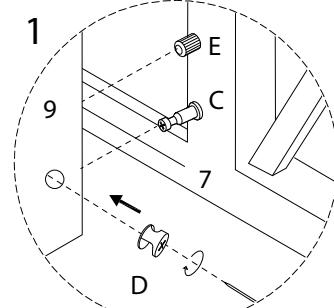
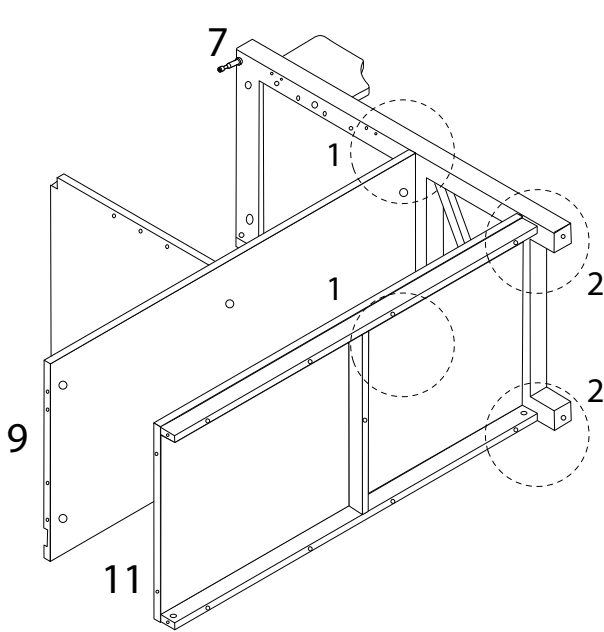
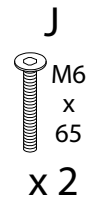
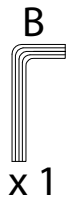
11



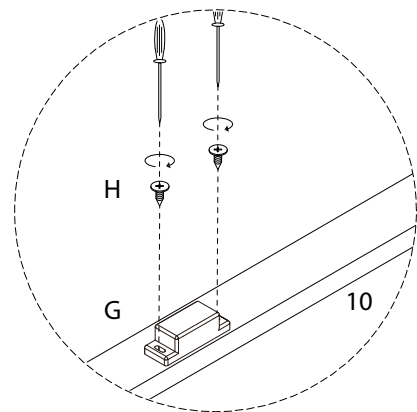
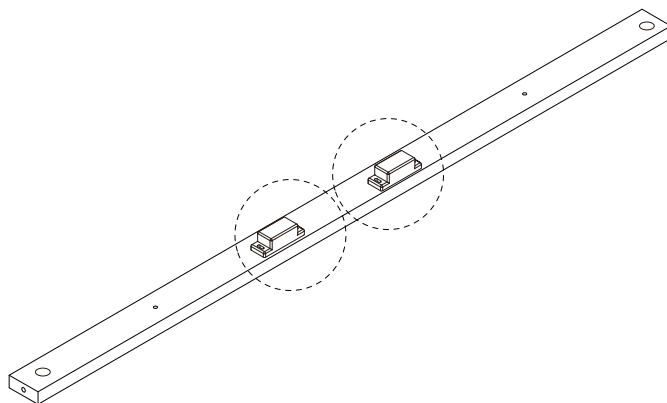
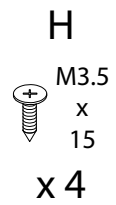
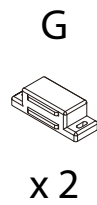
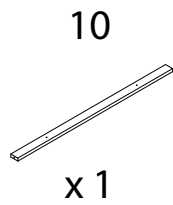
12



13



14

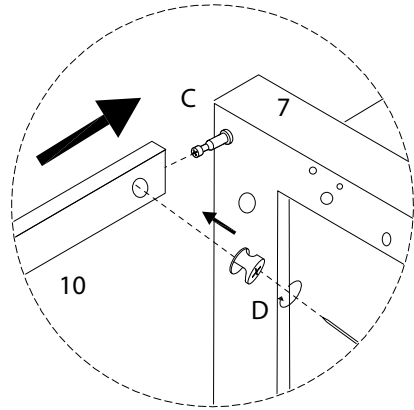
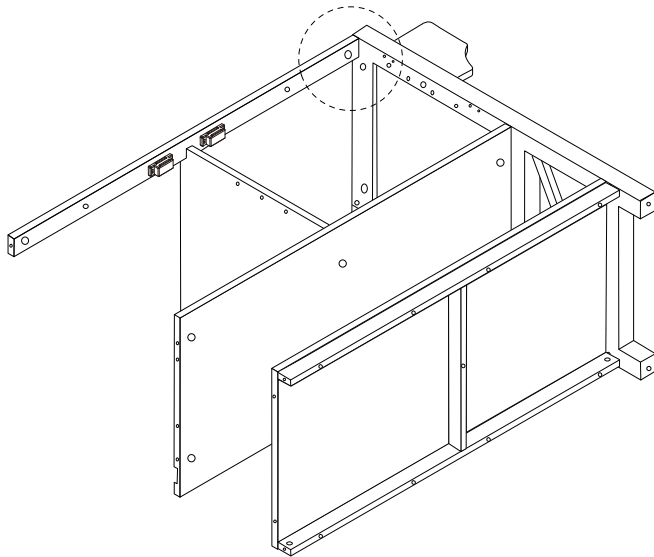


15

D

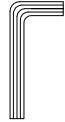


x 1



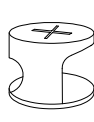
16

B



x 1

D



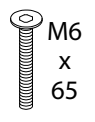
x 3

I

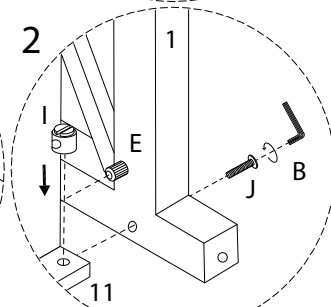
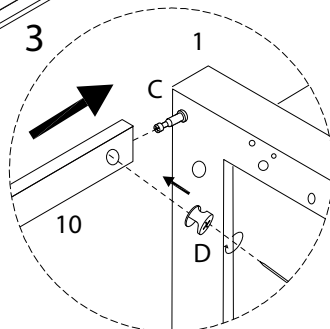
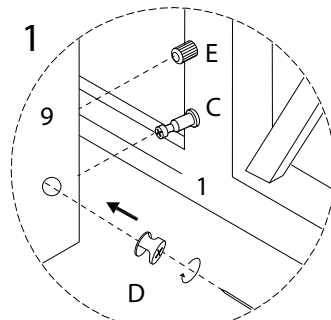
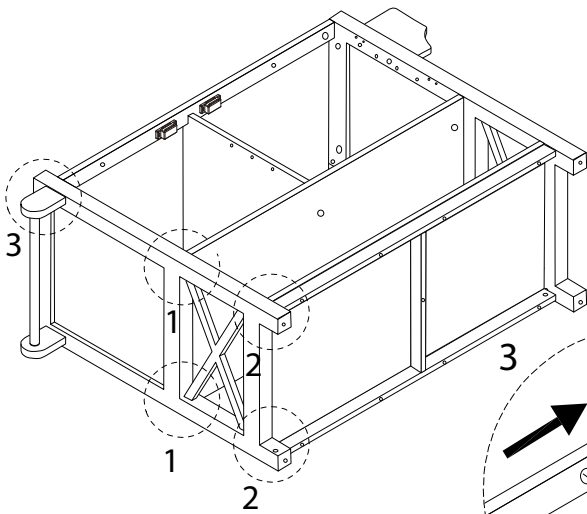


x 2

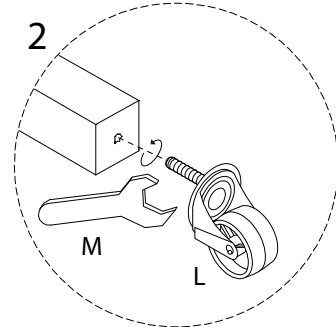
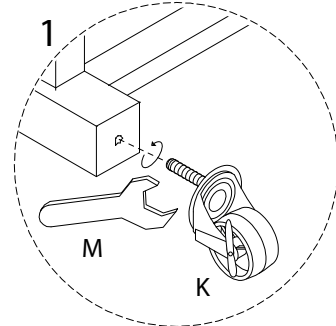
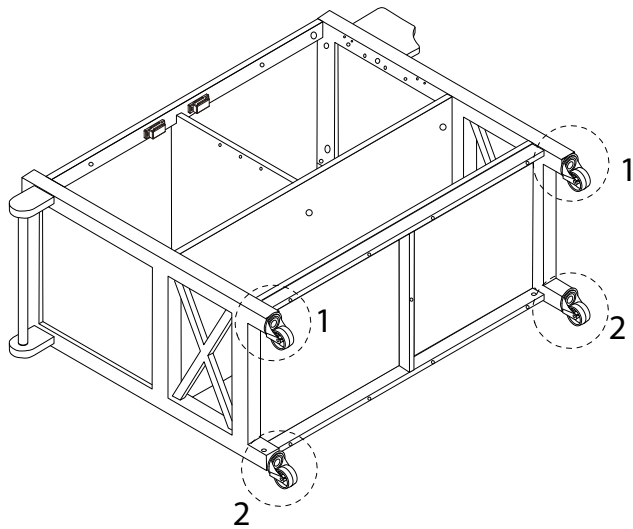
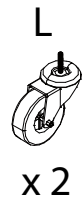
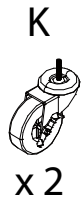
J



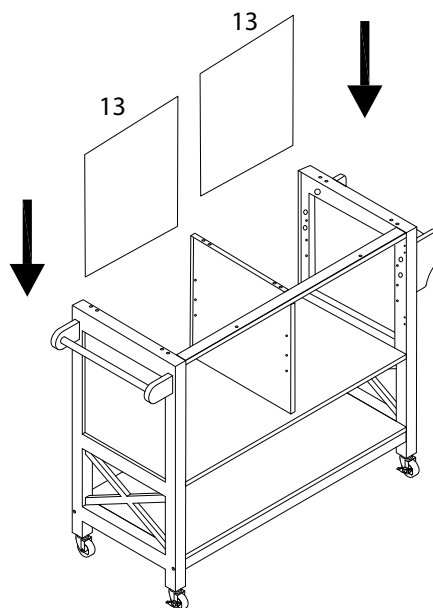
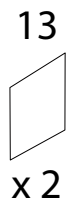
x 2



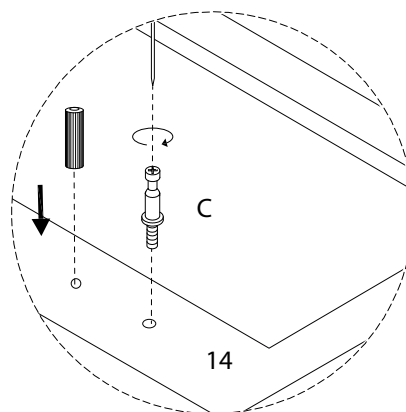
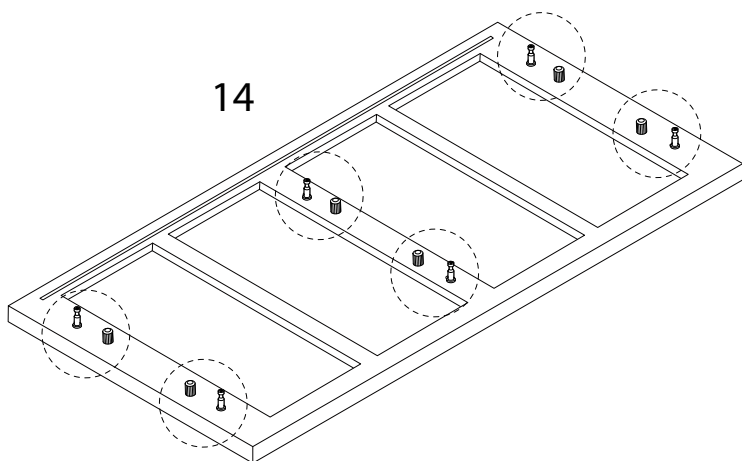
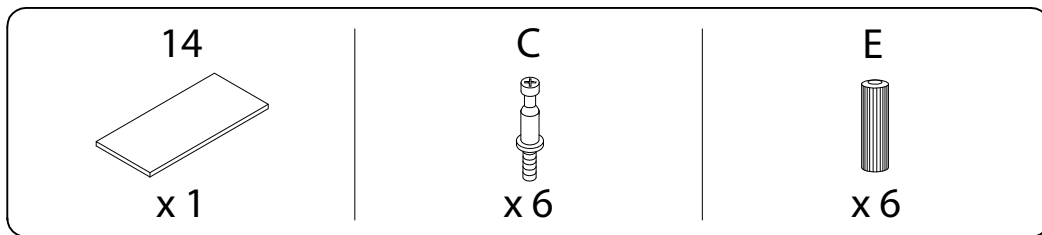
17



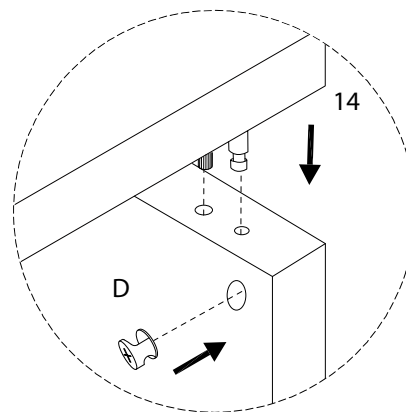
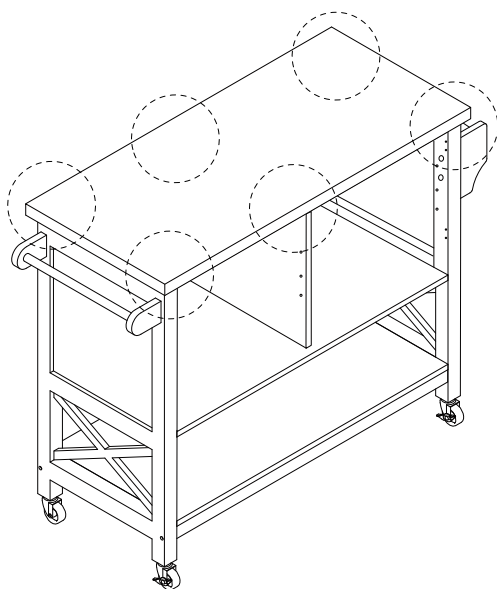
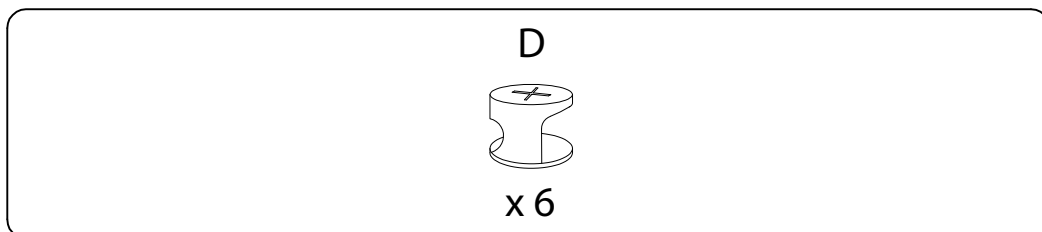
18



19

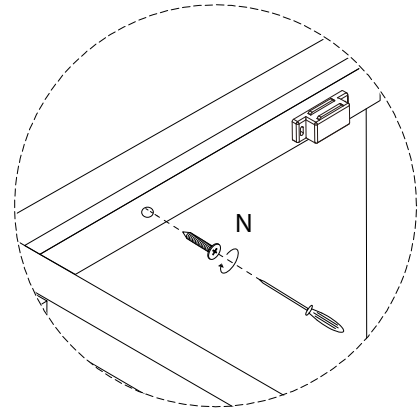
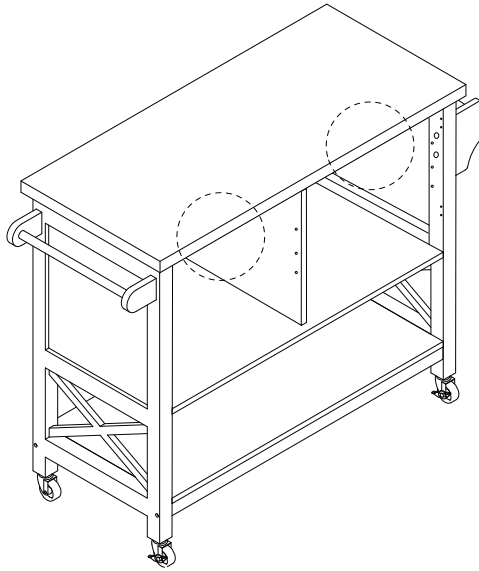


20



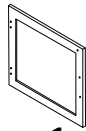
21

N  
M4  
x  
30  
x 2



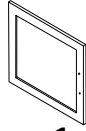
22

15



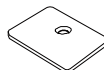
x 1

16



x 1

O



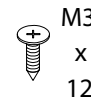
x 2

P



x 4

Q



M3  
x  
12

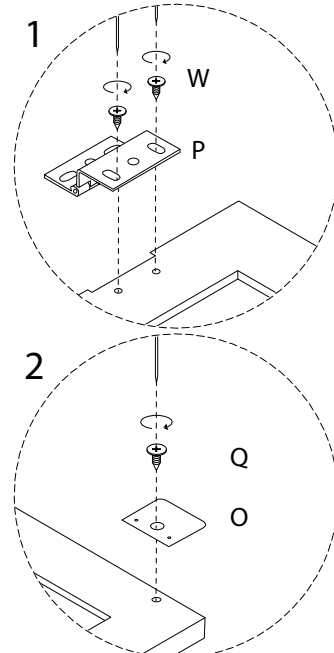
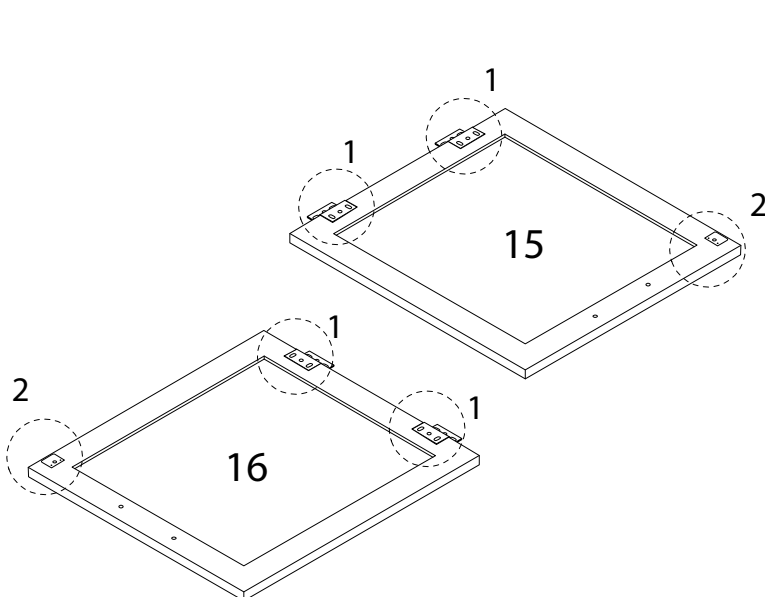
x 2

W



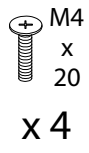
M4  
x  
14

x 8

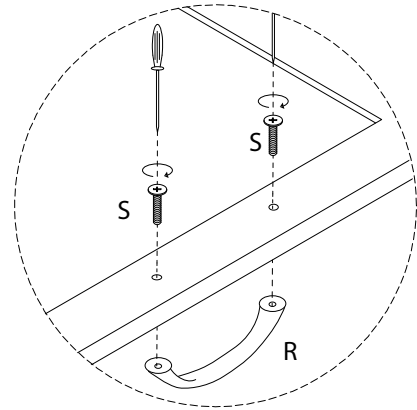
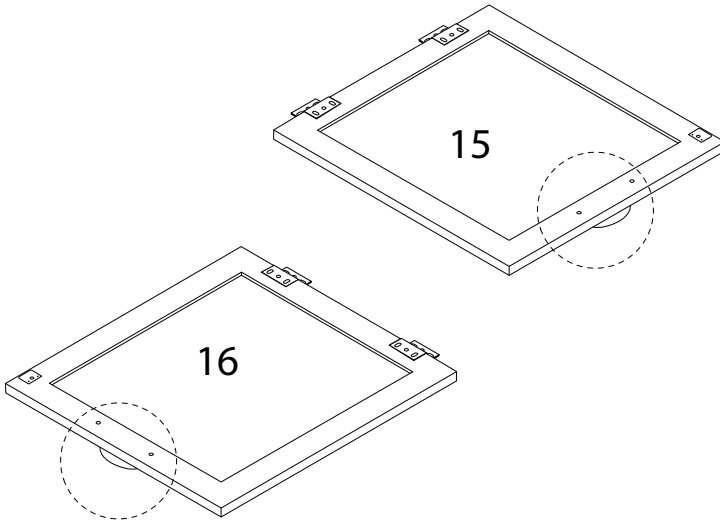
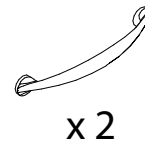


23

S

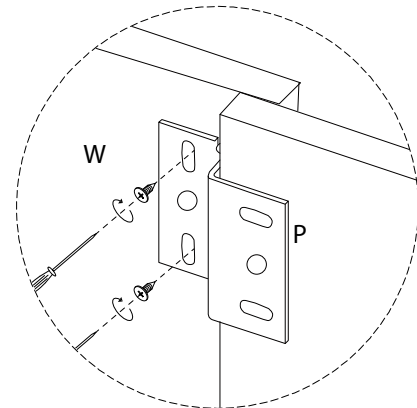
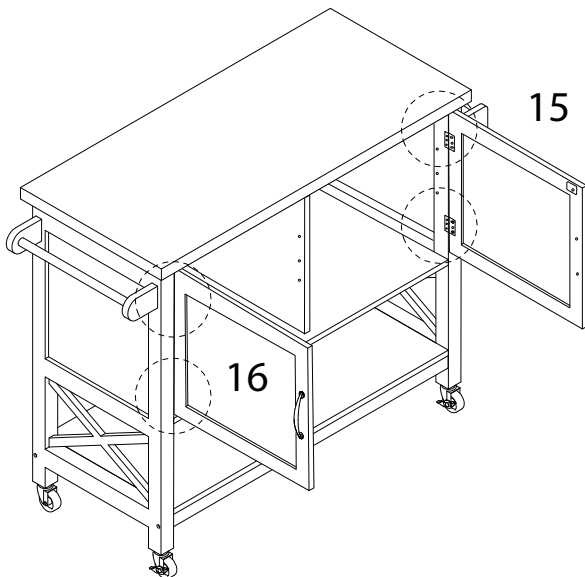
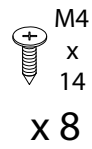


R



24

W

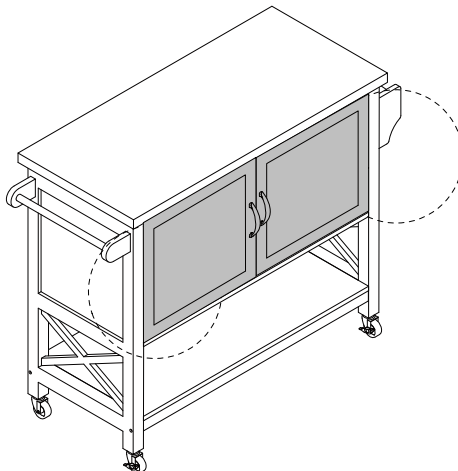
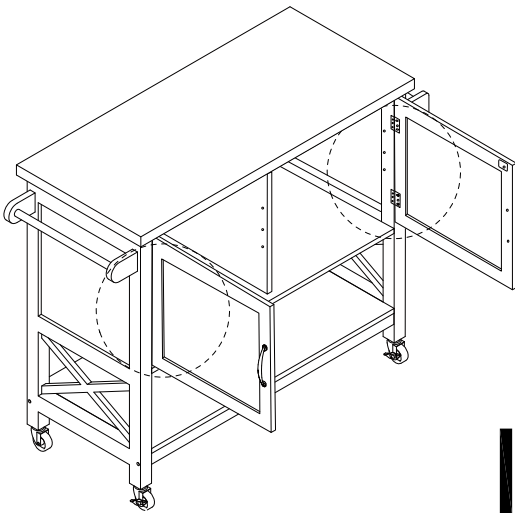
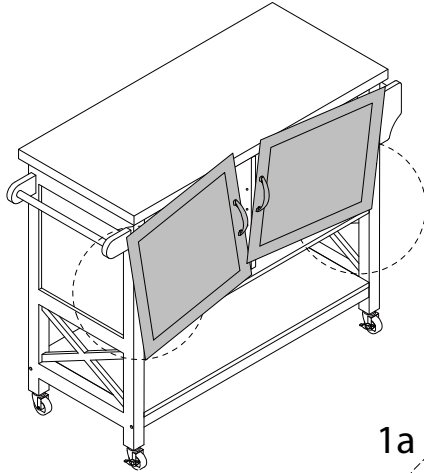


!

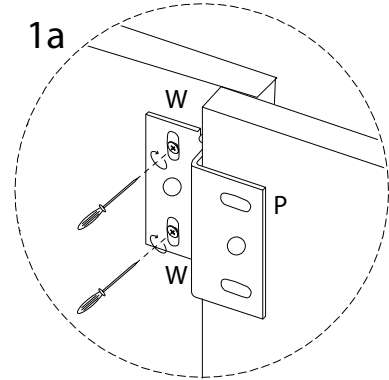
W

M4  
x  
14

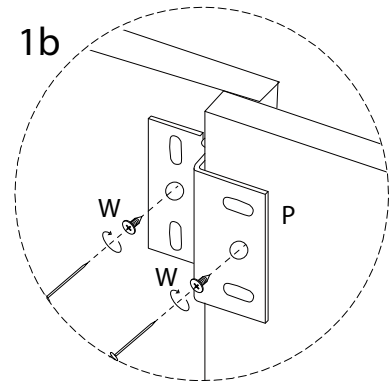
x 8



1a



1b

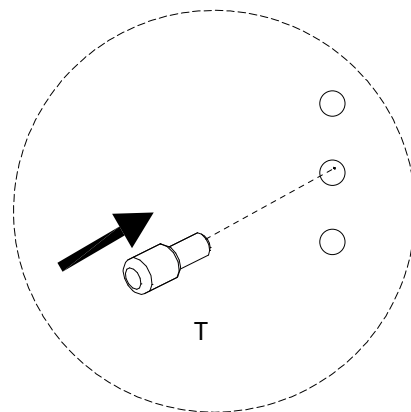
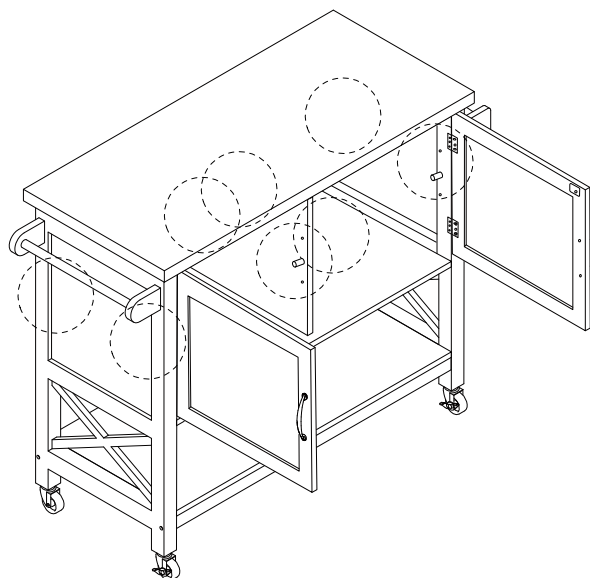


25

T

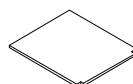


x 8

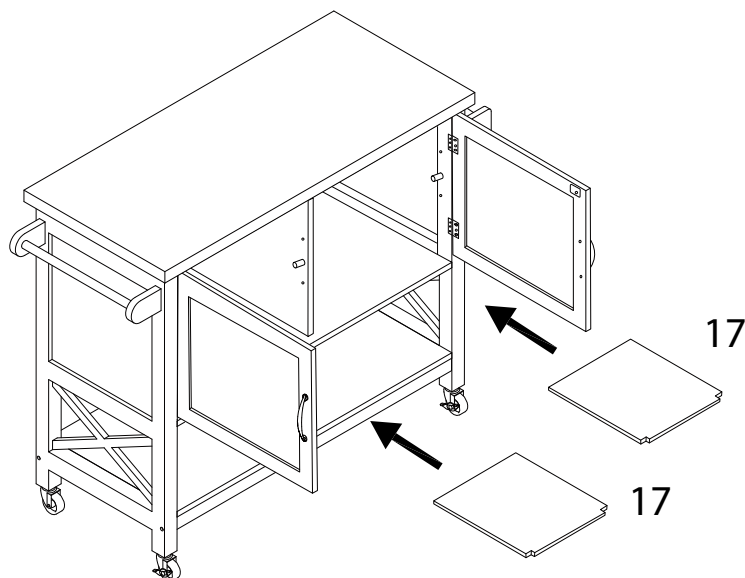


26

17



x 2



27

U



x 4

V



x 4

