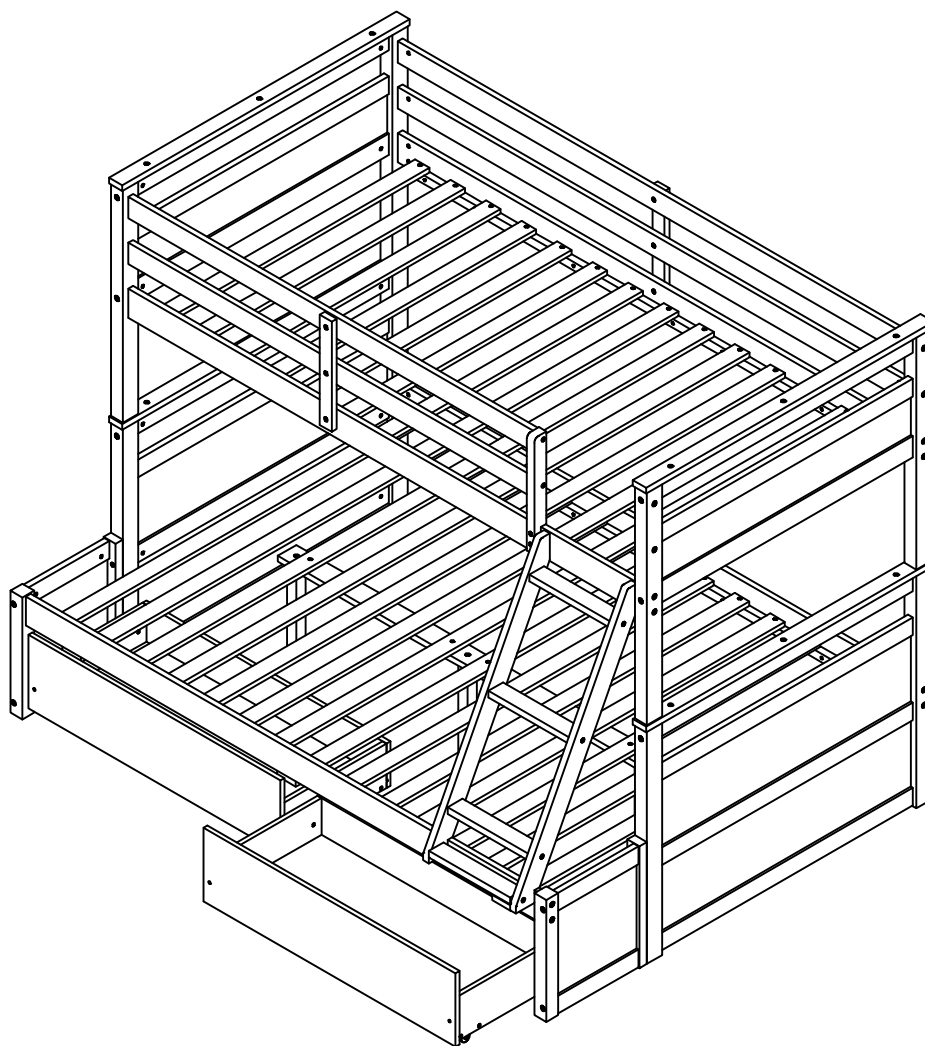


ASSEMBLY INSTRUCTIONS

BUNK BED WITH. 2 DRAWER





SAFETY WARNING



1. This bed is designed for use only mattress (es) meeting the following specifications on the upper bunk, and lower bunk:

Down bed

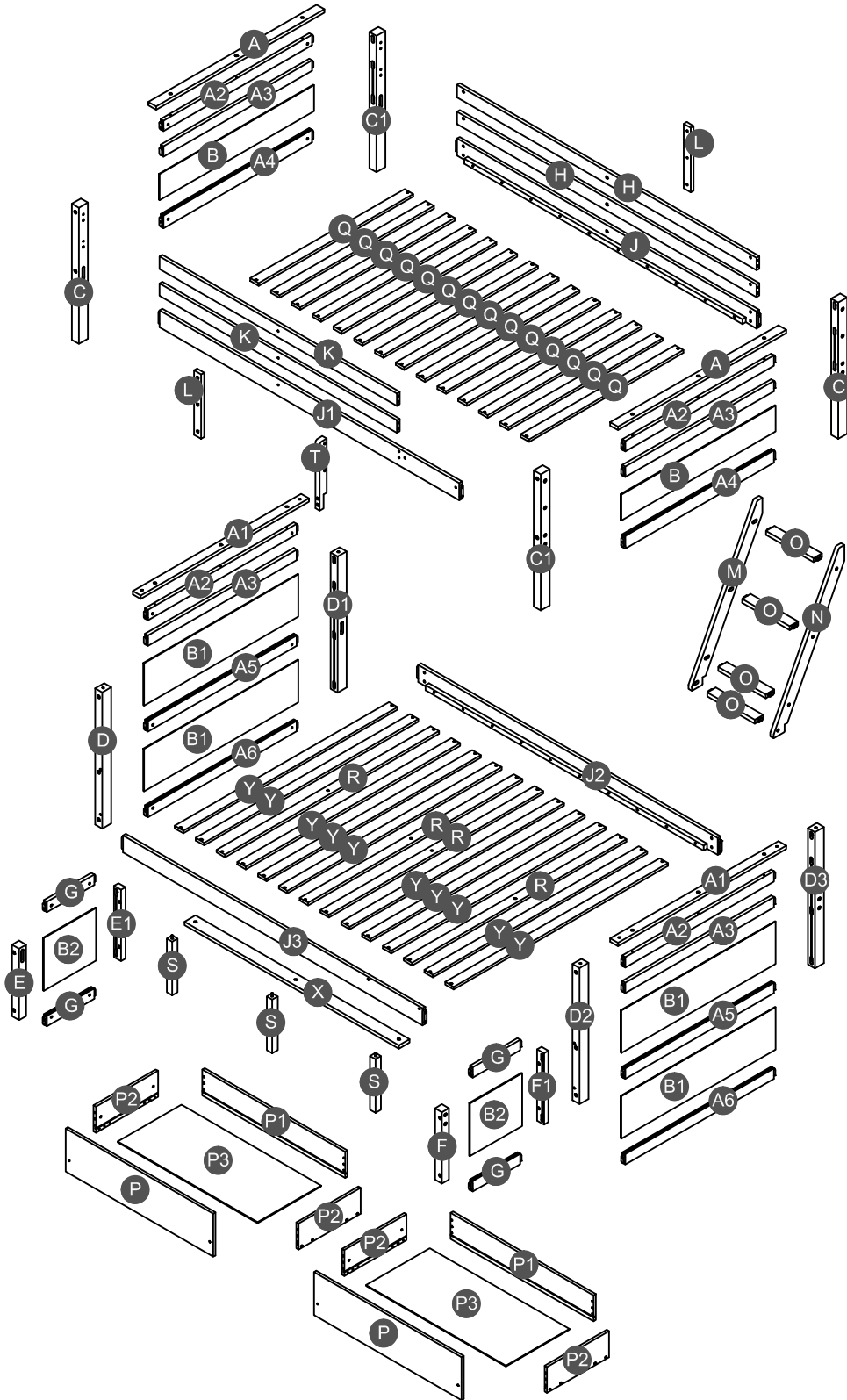
Bed type	Length	With	Thickness
Full Standard	74"-75"	53 1/2"	8" max

Up bed (Bunk bed and tribed included)

Bed type	Length	With	Thickness
Twin Standard	74"-75"	38 1/2"	6" max

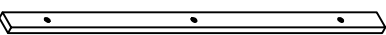
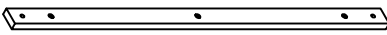
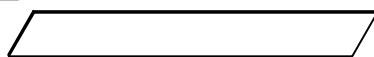
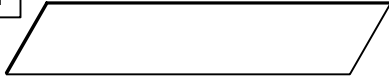
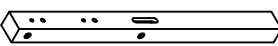
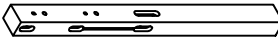
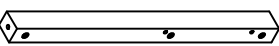

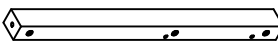

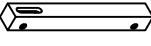
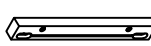
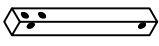


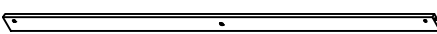
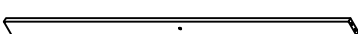


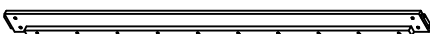

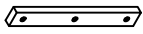
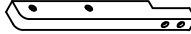

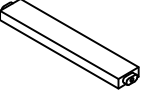
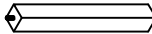

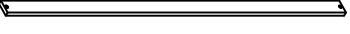
2. Replacement parts, including additional guardrails, maybe obtained from any of our (GIGACLOUD TECHNOLOGY (USA) INC.) dealers
3. Follow the information on the warnings appearing on the upper bunk bed end structure and on the carton. Do not remove warning label from bed.
4. Always use the recommended size mattresses or mattress supports, or both, to help prevent the likelihood of entrapment or falls.
5. Surface of mattress must be at least 5" (127mm) below the upper edge of guardrails.
6. Do not allow children under 6 years of age to use the upper bunk.
7. Periodically check and ensure that the guardrail, ladder, and other components are in their proper position, free from damage, and that all connectors are tight.
8. Do not allow horseplay on or under the bed and prohibit jumping on the bed.
9. Always use the ladder for entering and leaving the upper bunk.
10. Do not use substitute part. Contact the manufacture or dealer for replacement part.
11. Use of a night light may provide added safety precaution for a child using the upper bunk.
12. Always use guardrails on both long sides of the upper bunk. If the bunk bed will be placed next to the wall, the guardrail that runs the full length of the bed should be placed against the wall to prevent entrapment between the bed and wall.
13. The use of water or sleep flotation mattresses is prohibited.
14. STRANGULATION HAZARD - Never attach or hang items to any part of the bunk bed that are not designed for use with the bed; for example, but not limited to, hook, belts and jump ropes.
15. Keep these instruction for future reference.

Detail View



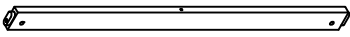
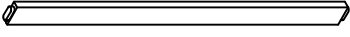



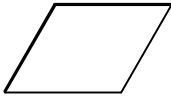
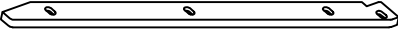


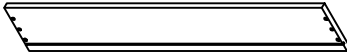
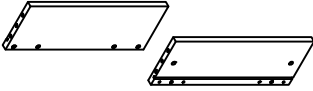

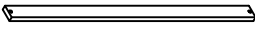
Part List

Hardware List

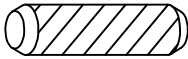
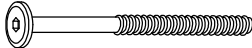
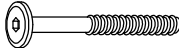




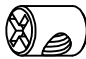

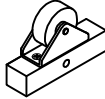
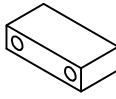
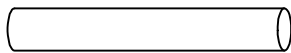

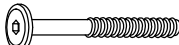

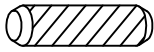
A  Cap for upper HB&FB-2pcs	A1  Cap for lower HB&FB-2pcs	B  Upper side panel - 2pcs
B1  Lower side panel - 4pcs	C  Upper leg Left Front /Right Back - 2pcs	C1  Upper leg Left Back/Right Front - 2pcs
D  Lower leg HB (Front)-1pc	D1  Lower leg HB (Back)-1pc	D2  Lower leg FB (Front)-1pc
D3  Lower leg FB (Back)-1pc	E  Lower leg HB (Left)-1pc	E1  Mid leg HB (Left)-1pc
F  Lower leg FB (Right)-1pc	F1  Mid leg FB (Right)-1pc	G  Horizontal bar - 4pcs
H  Long guard rail-2pcs	K  Short guard rail-2pcs	J  Side rail upper (Back) -1pc
J1  Side rail upper (Front) -1pc	J2  Side rail Lower (Back) -1pc	J3  Side rail Lower (Front) -1pc
L  Vertical guard rail - 2pcs	T  Support guard rail - 1pc	R  Lower slats - 4pcs
O  Step ladder - 4pcs	S  Center leg - 3pcs	X  Center support - 1pc
Y  Lower slats - 10pcs		

Part List

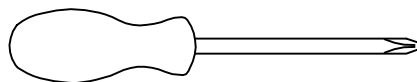
WF286265

<p>A2</p>  <p>Horizontal bar(HB/FB)-4pcs</p>	<p>A3</p>  <p>Horizontal bar(HB/FB)-4pcs</p>	<p>A4</p>  <p>Horizontal bar(HB/FB)-2pcs</p>
<p>A5</p>  <p>Horizontal bar(HB/FB)-2pcs</p>	<p>A6</p>  <p>Horizontal bar(HB/FB)-2pcs</p>	<p>B2</p>  <p>Side panel - 2pcs</p>
<p>M</p>  <p>Ladder (Left) - 1pc</p>	<p>N</p>  <p>Ladder (Right) - 1pc</p>	<p>P</p>  <p>Drawer front - 2pcs</p>
<p>P1</p>  <p>Drawer back - 2pcs</p>	<p>P2</p>  <p>Drawer (Left / Right)- 4pcs</p>	<p>P3</p>  <p>Drawer bottom - 2pcs</p>
<p>Q</p>  <p>Upper slat - 14pcs</p>		

Hardware List

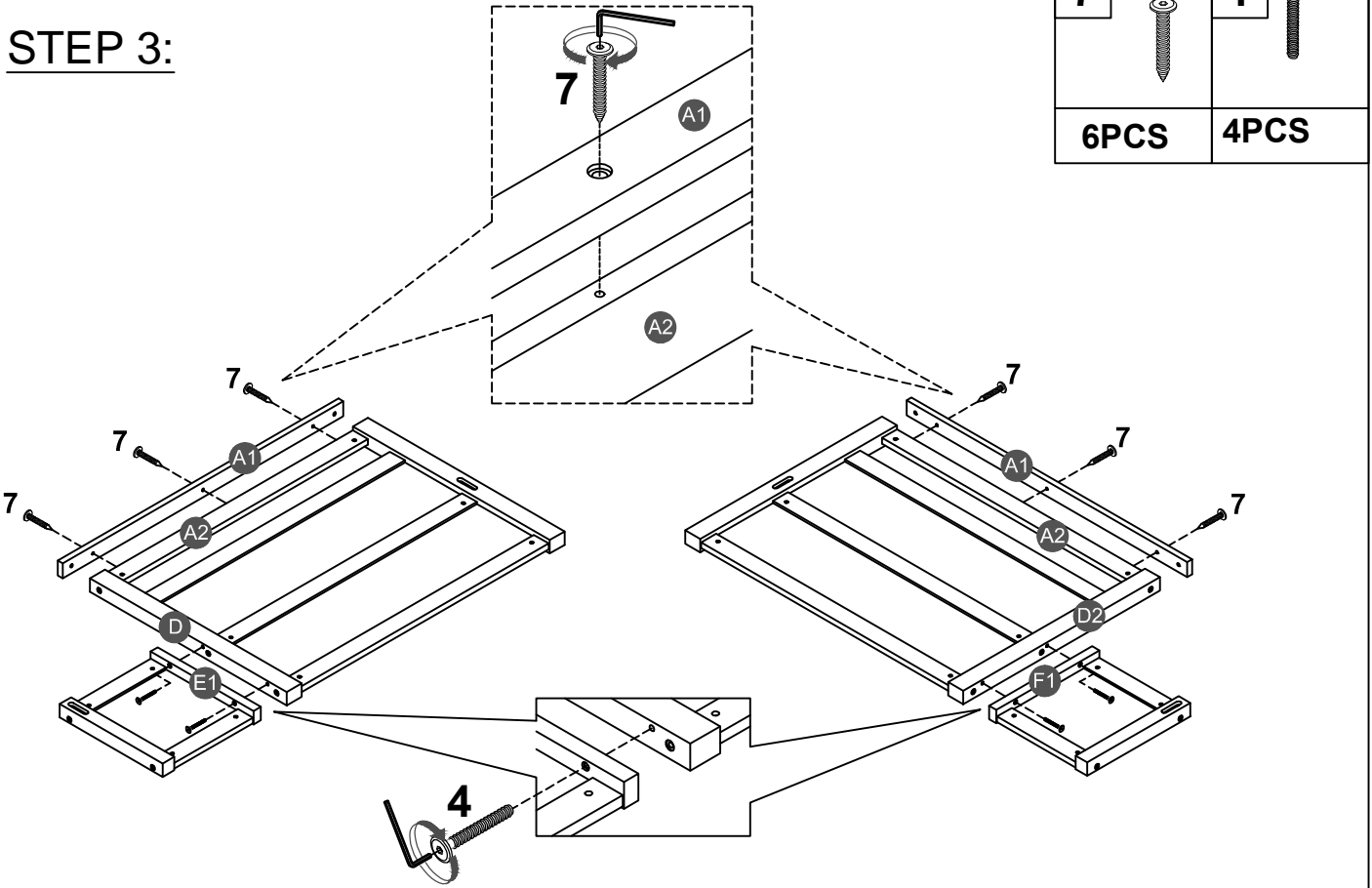
1  Ø10*40mm Wood dowel (8pcs)	2  (Ø15)1/4"*100mm Hex-Head bolts (42pcs)	3  (Ø15)1/4"*80mm Hex-Head bolts (6pcs)
4  (Ø12)1/4"*40mm Hex-Head bolts (8pcs)	5  (Ø12)1/4"*30mm Hex-Head bolts (6pcs)	6  (1/4")4.5*58mm Allen key (1pc)
7  (Ø12)1/4"*40mm Hex-Head bolts (12pcs)	8  1/4"*15 (9.5mm) Horizontal-Hole bolts(68pcs)	9  Ø4*30mm Wood screws (82pcs)
10  100*54*20 mm Wheels (8pcs)	11  70*35*19 mm Drawer stopper (3pcs)	12  Ø9*90mm Metal connector (4pcs)
13  Ø10*20mm Wood dowel (8pcs)	14  (Ø12)1/4"*60mm Hex-Head bolts (20pcs)	15  (Ø12)1/4"*35mm Hex-Head bolts (2pcs)
16  Ø8*30mm Wood dowel (16pcs)		

ASSEMBLY TOOLS REQUIRED (NOT INCLUDED)

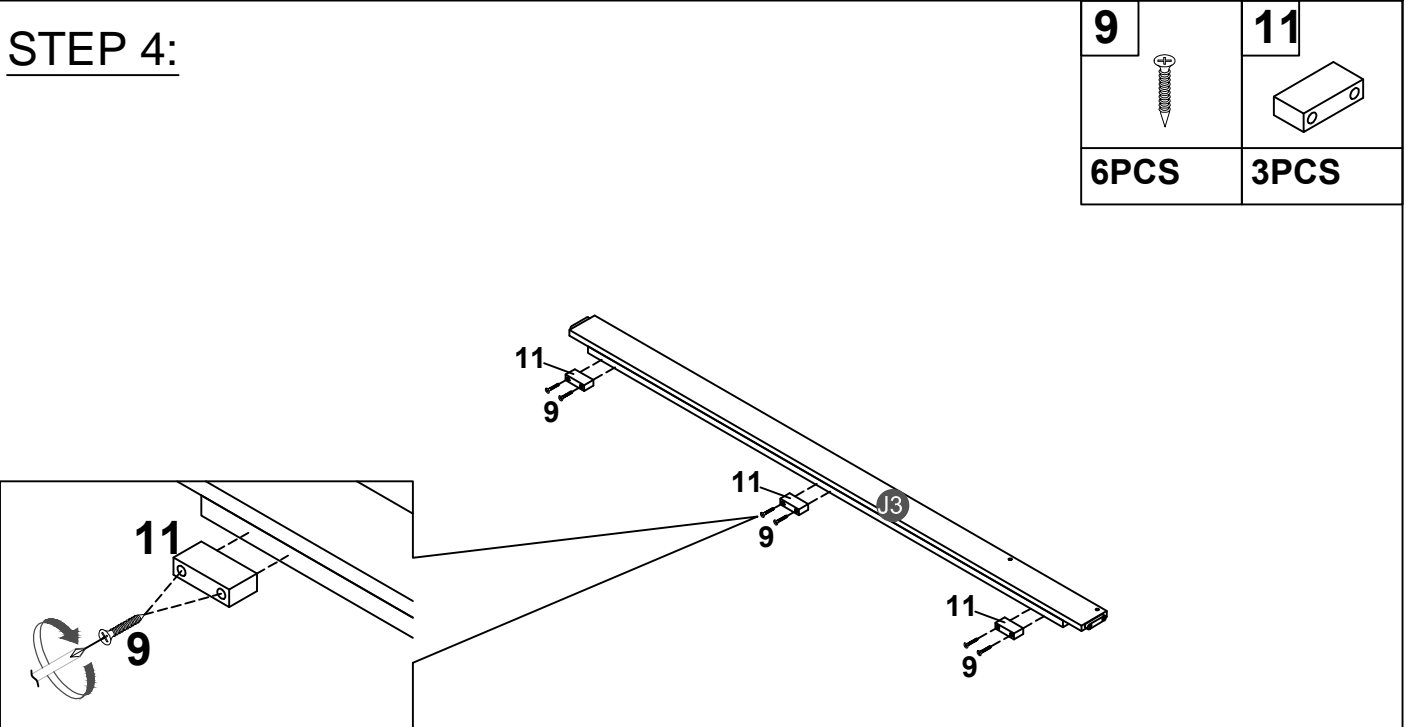


PLEASE BE CAREFUL DO NOT DAMAGE THE HOLE POSITION WHEN YOU USE POWER TOOLS !

STEP 3:

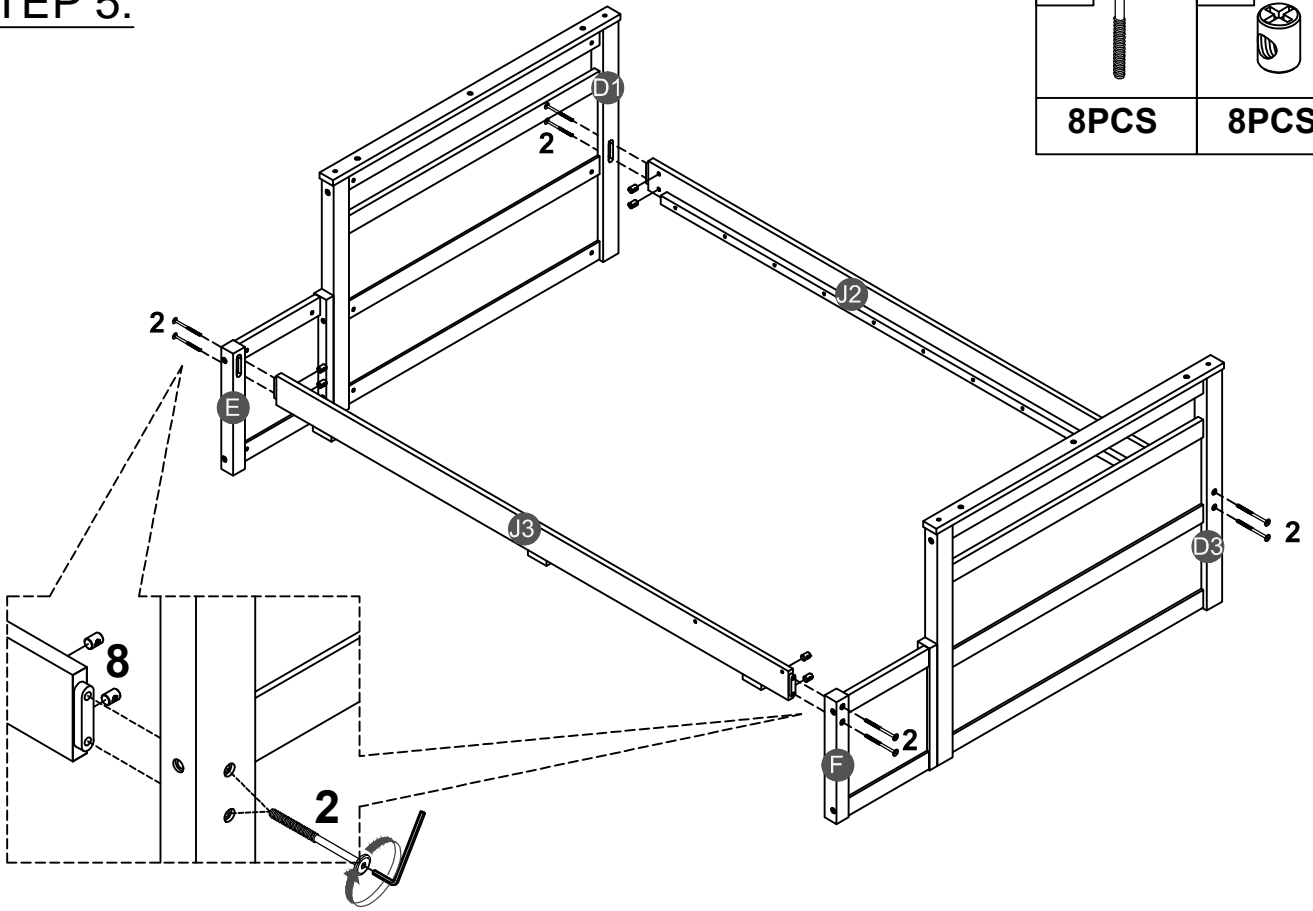




STEP 4:



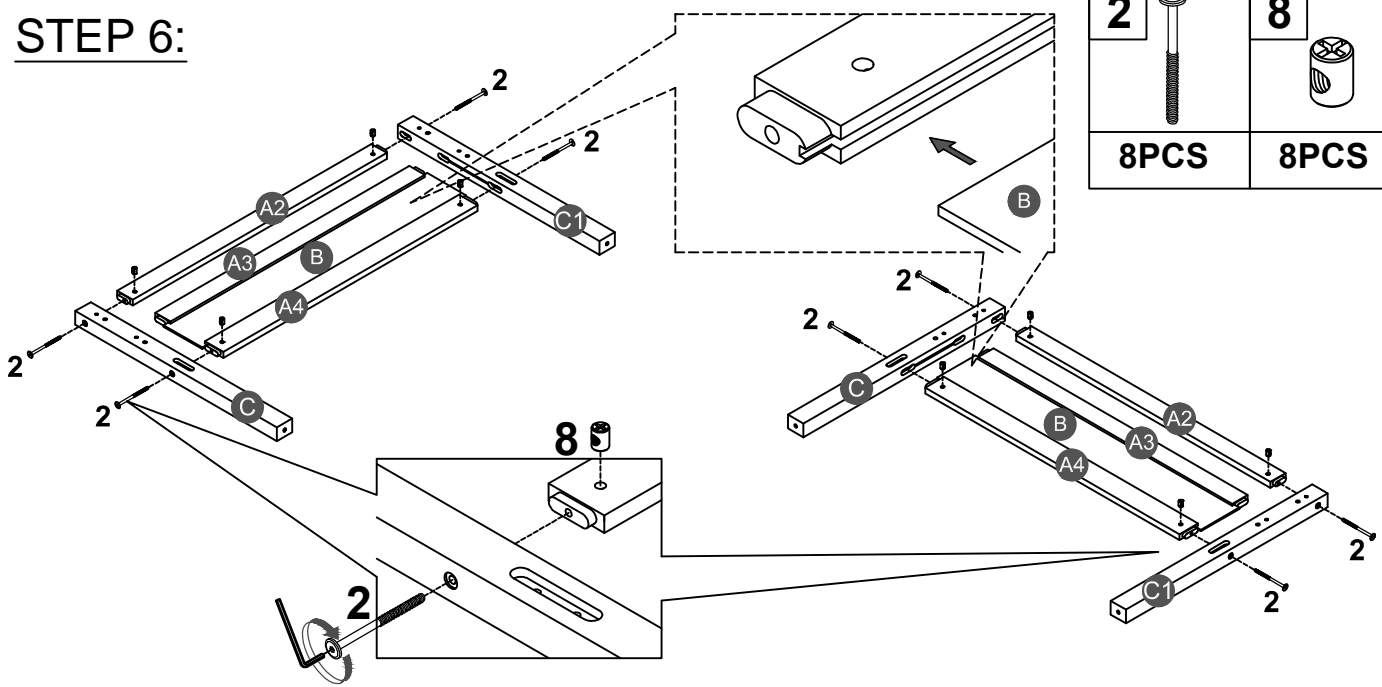
Drawer stopper (11) with side rail front (J3) by using screw (9).



STEP 5:



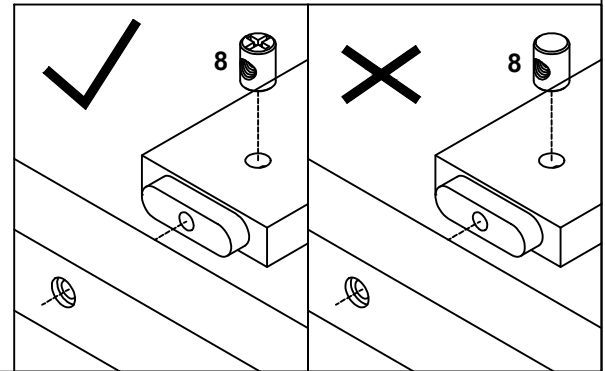
2	8
	
8PCS	8PCS

STEP 6:

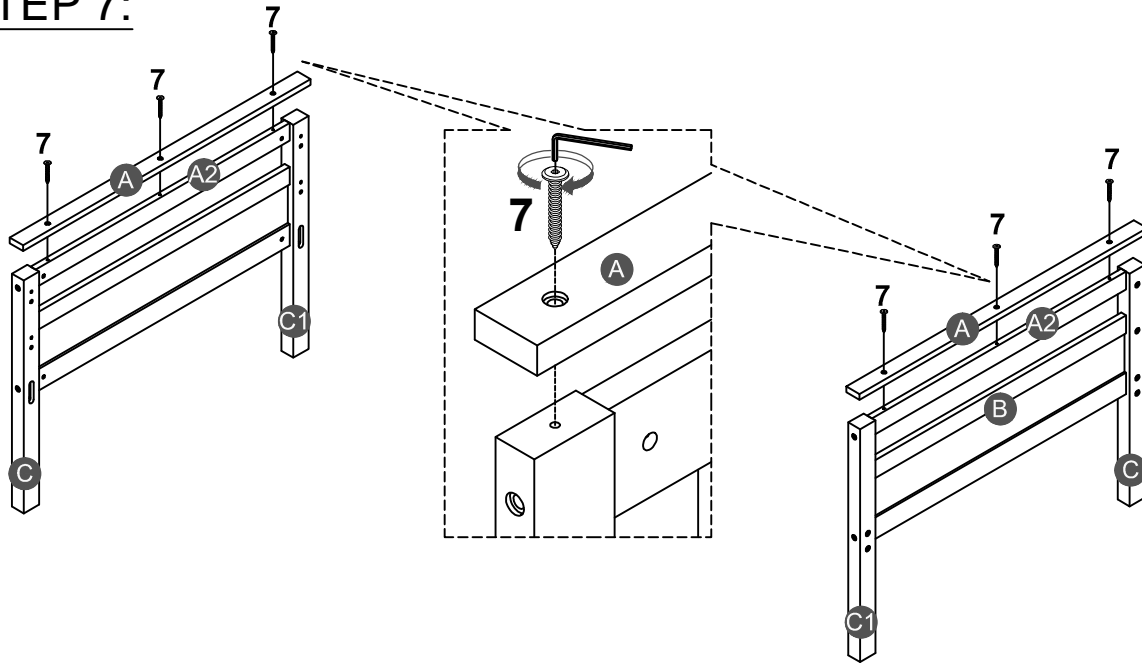



2	8
	
8PCS	8PCS

Note: Part 8 will face up with the "x" mark on it, otherwise it cannot be tightened

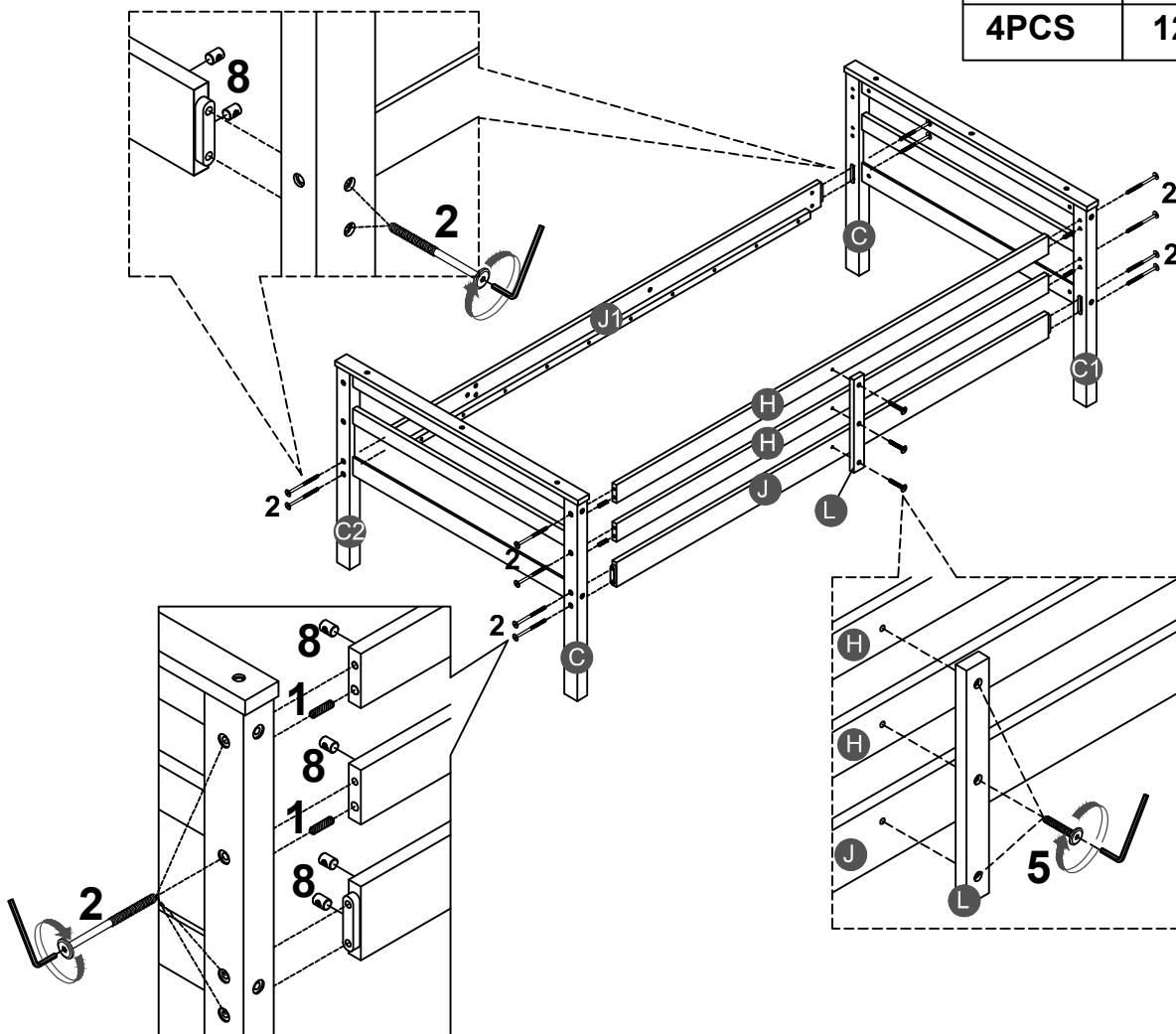






STEP 7:



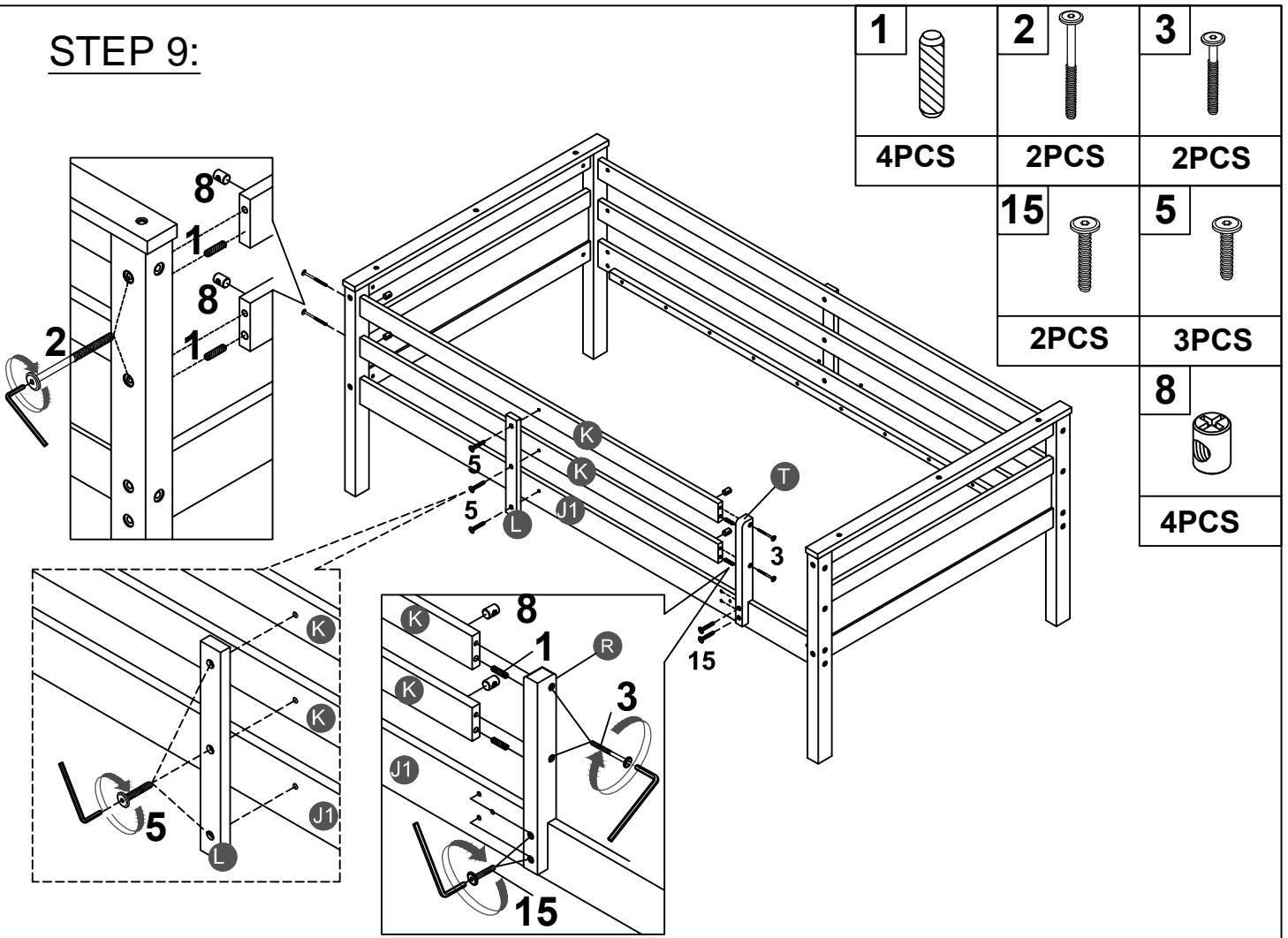
7	
6PCS	

STEP 8:

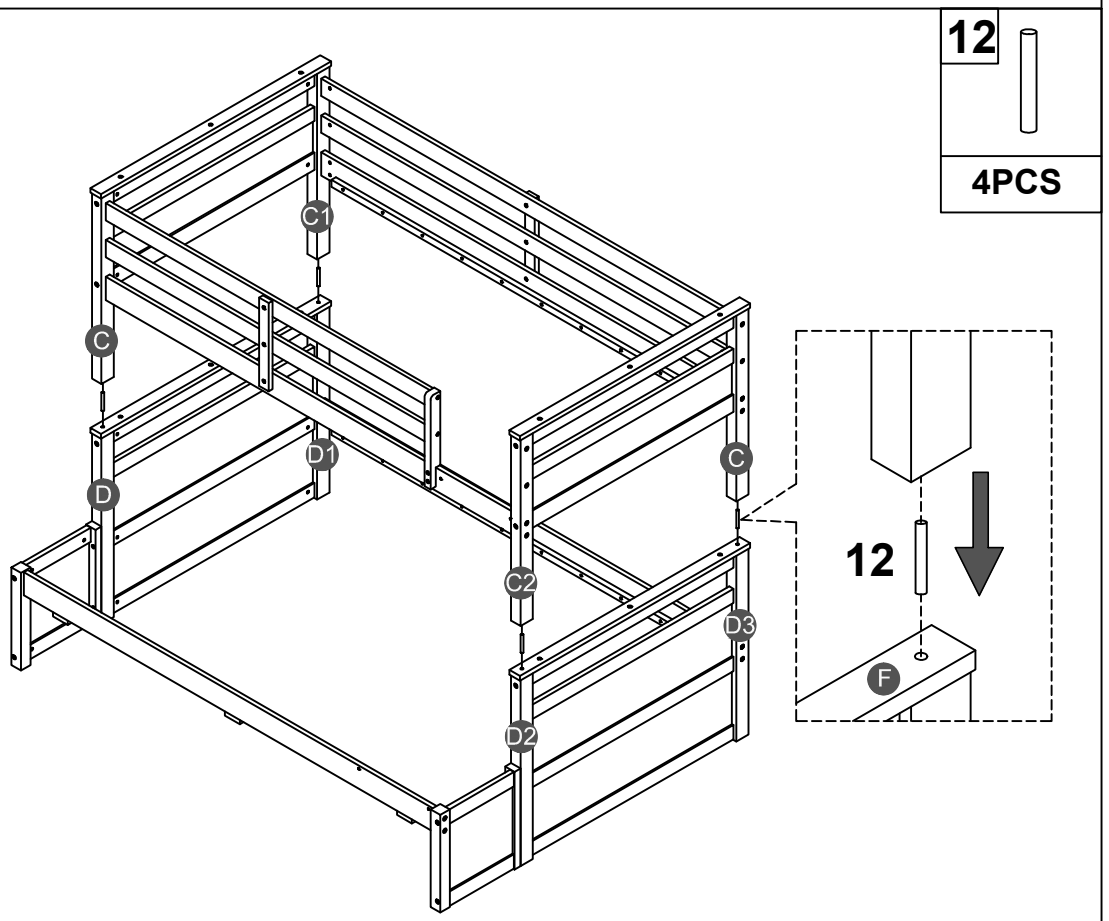


1		2		5	
4PCS		12PCS		3PCS	
8					
					
12PCS					



STEP 9:

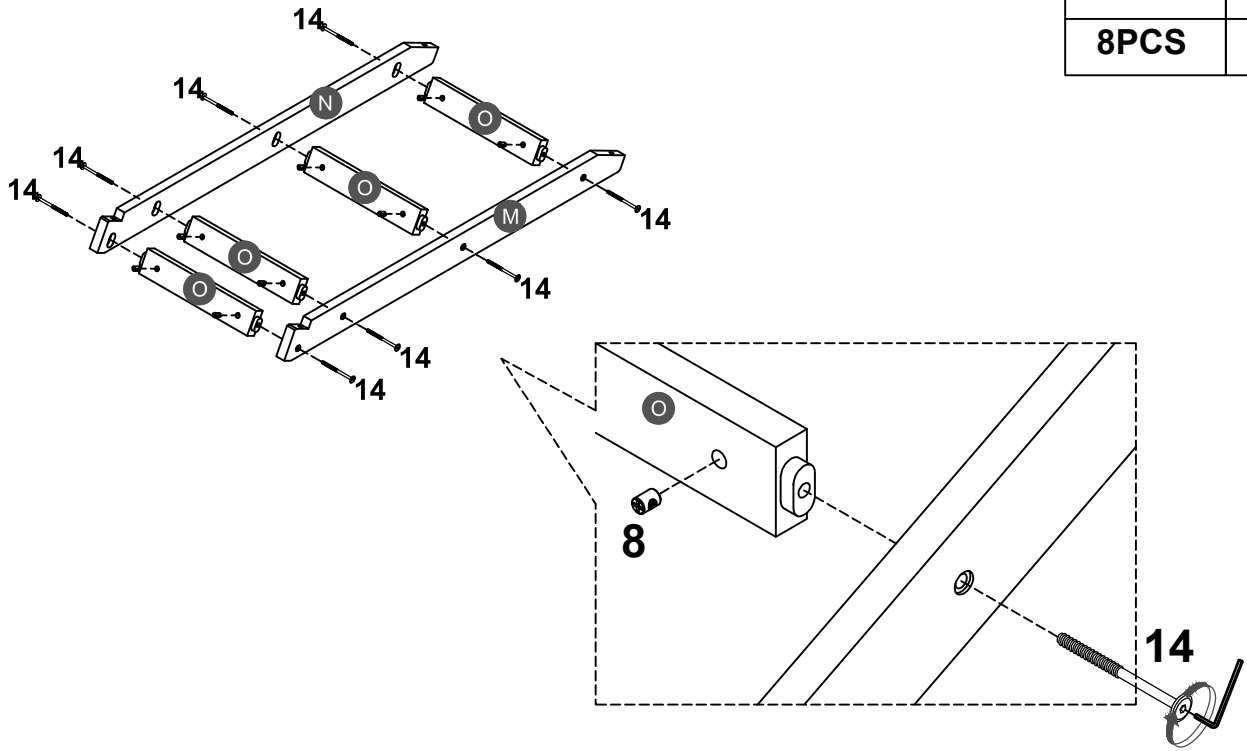


STEP 10:




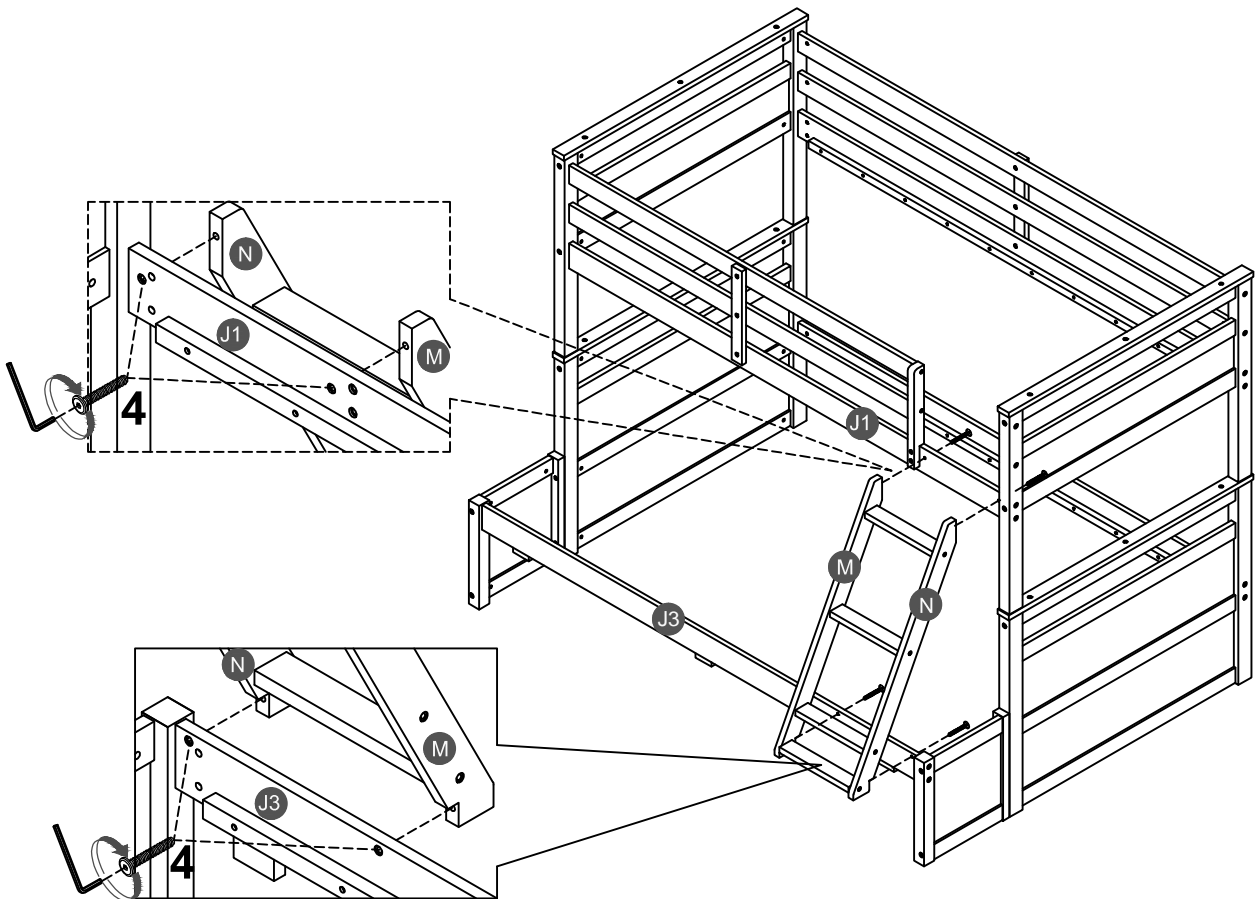
STEP 11:

8	14
	
8PCS	8PCS

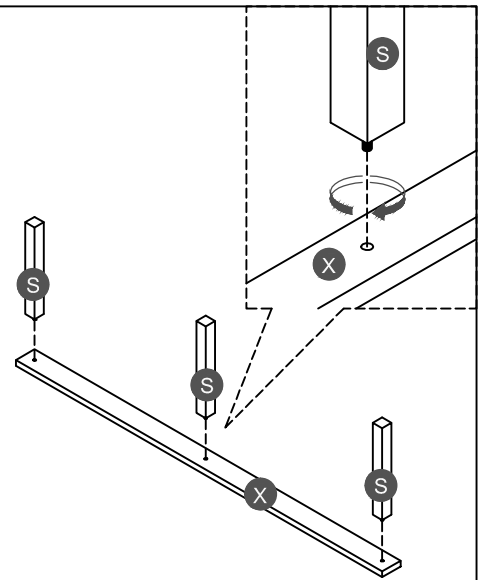
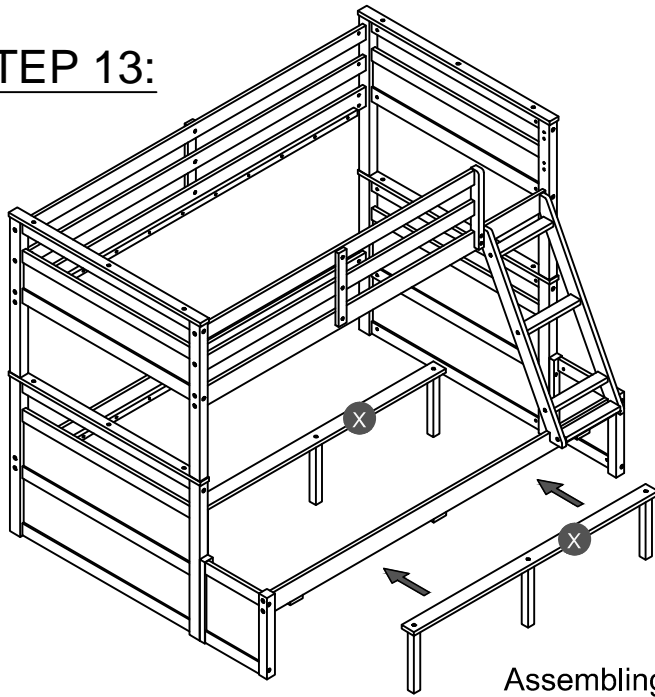


STEP 12:

4	
4PCS	



STEP 13:



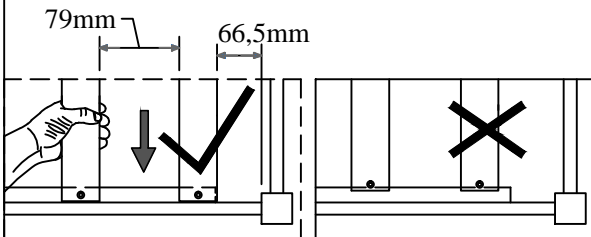
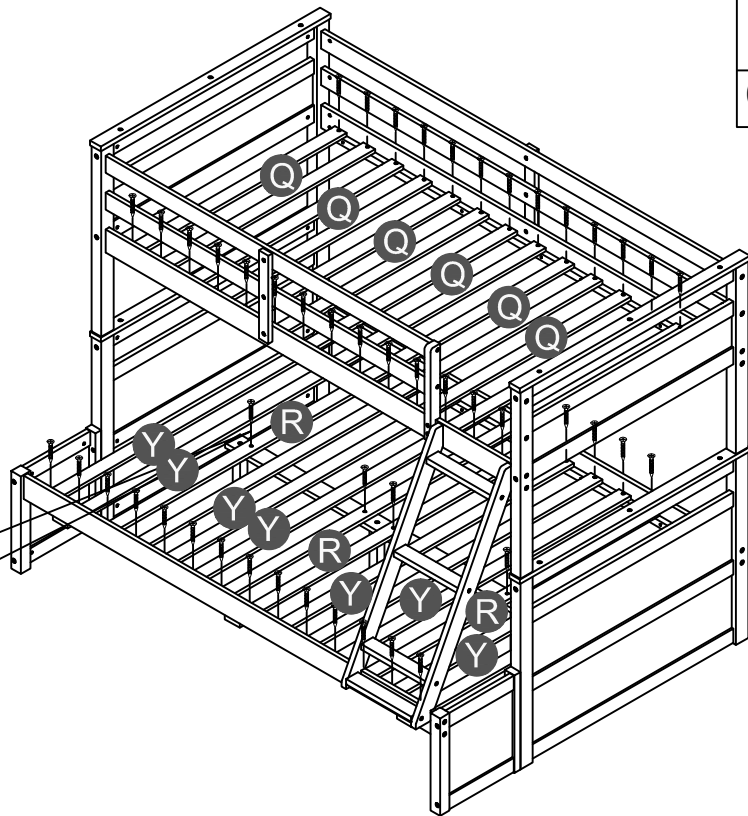
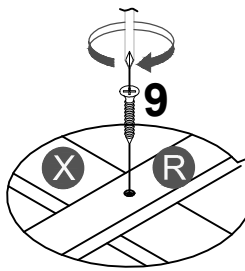
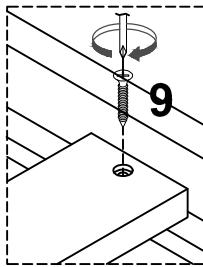
Assembling leg support (S) with lower support slat (X) later rotate, Move support slat inside Full bunkbed.

STEP 14:

9

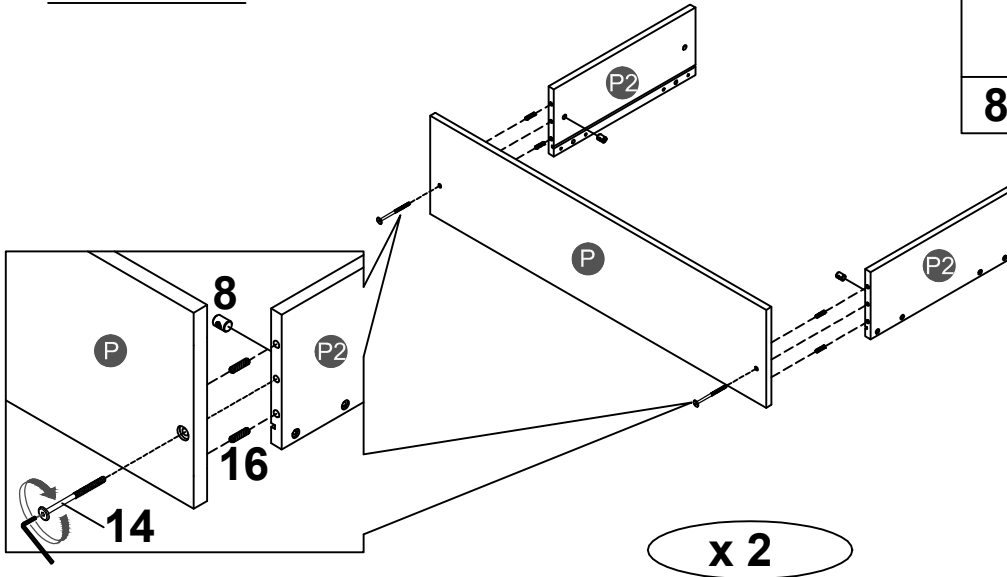


60PCS



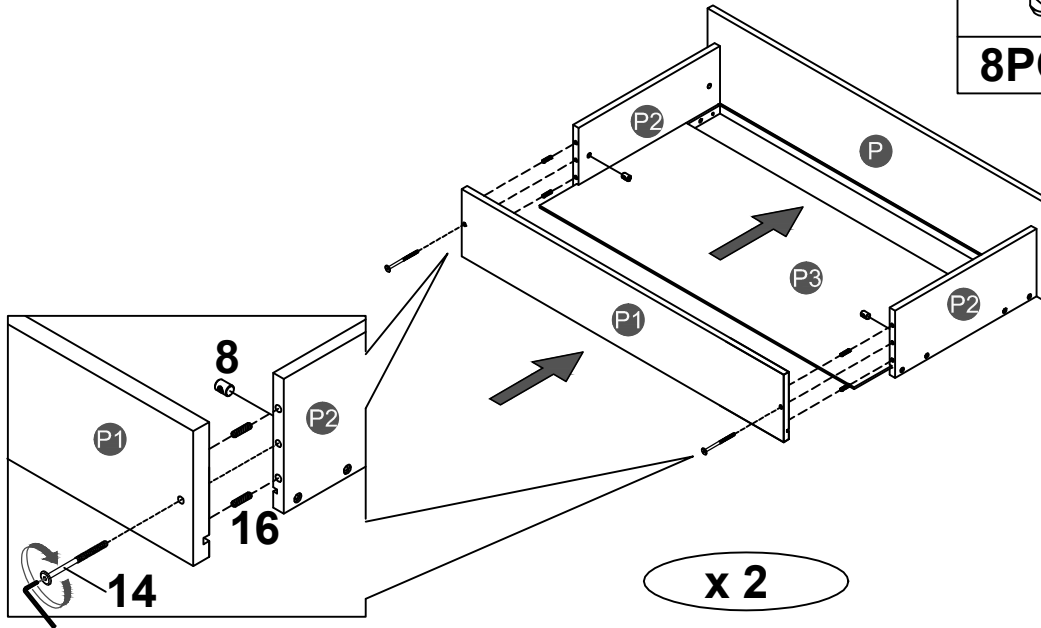
Note: Do not lock the screws of the bed slats to the outermost edge of the bed slats, you need to leave a certain space at the edges, otherwise it will cause the board to break. Do not lock the bed slats on the edge of the wood, please hold firmly before screwing, hold it in place with one hand, then lock the screw.

STEP 15:



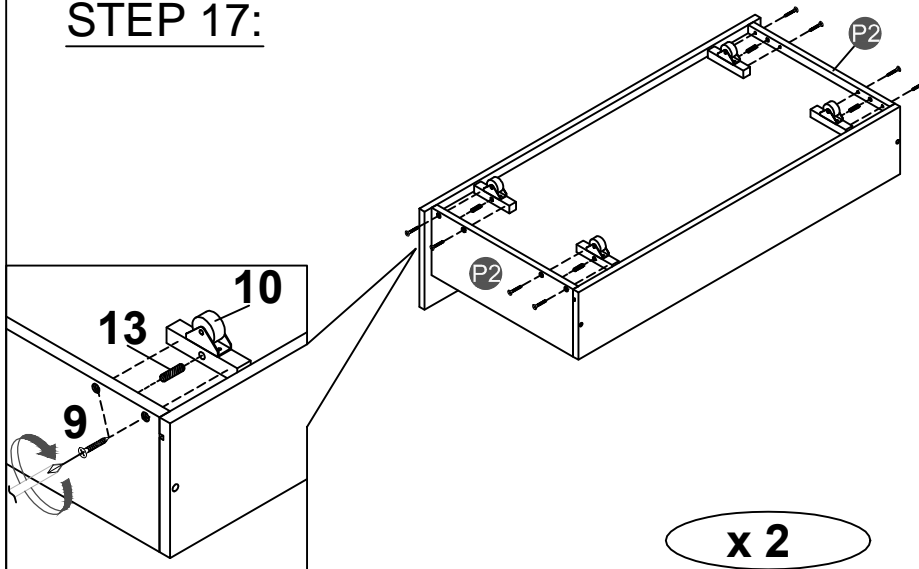
16		8		14	
	8PCS		4PCS		4PCS

STEP 16:

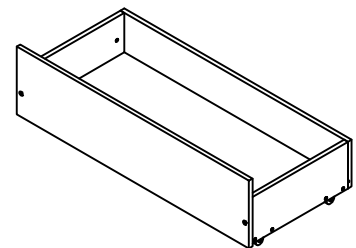


16		8		14	
	8PCS		4PCS		4PCS

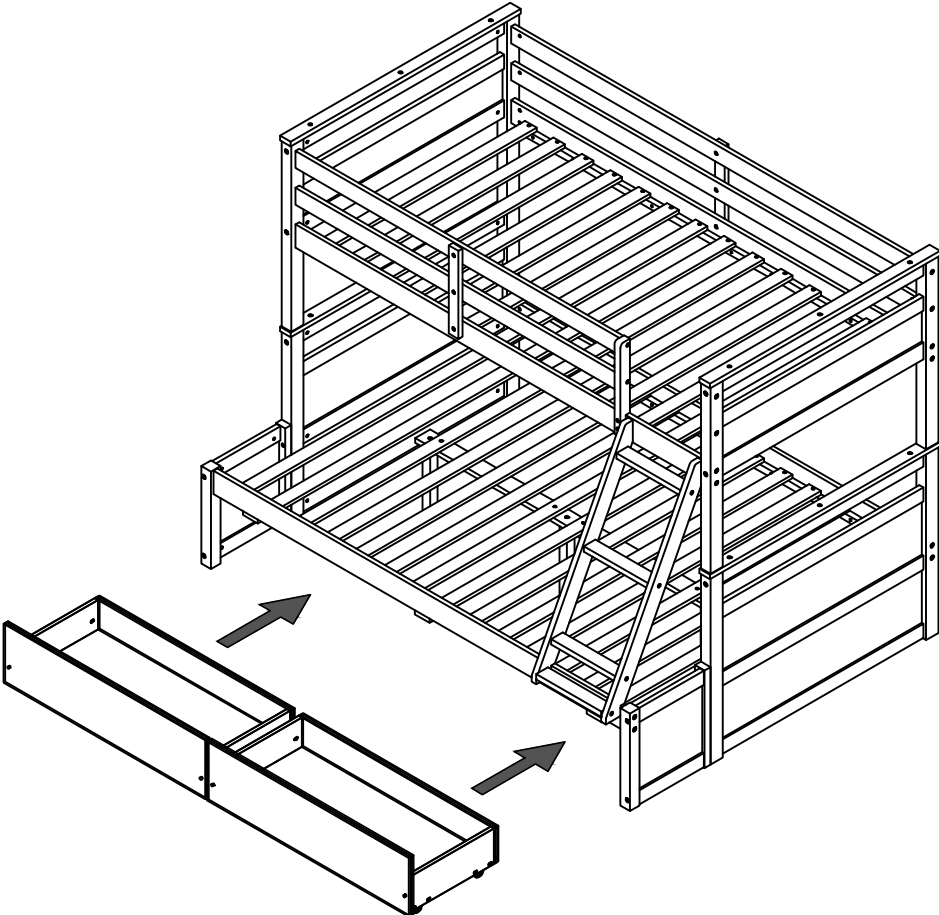
STEP 17:



13		9		10	
	8PCS		16PCS		8PCS



STEP 18:



Push Drawer under the bottom of Bunk Bed.

