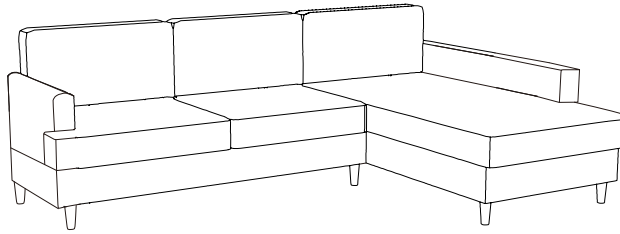


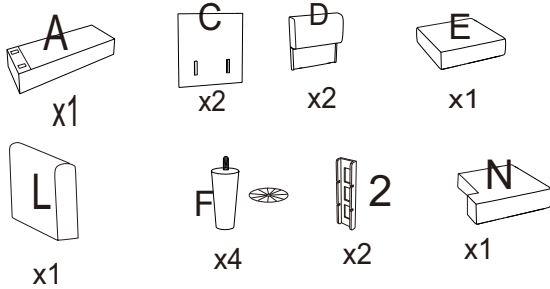
ASSEMBLY INSTRUCTION

ITEM NO.:D7230 D7231 D7233 D7235

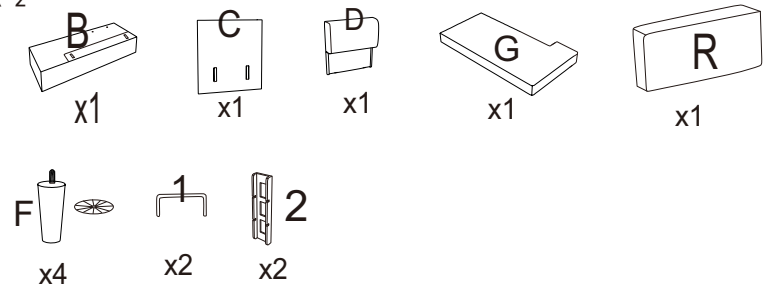


PARTS LIST

BOX-1



BOX-2

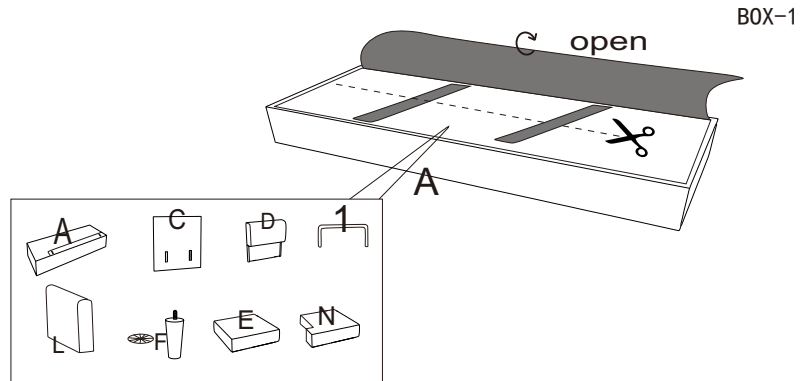


Open up Velcro of Non-Woven Fabric cover on the bottom to remove hardware, legs and parts.

1. Please open the black woven fabric with Velcro closure on the bottom of the frame then cut off the black straps before removing the parts for assembly.

2. After removing the cushion from the compress bag, please allow air to flow through the cushion for few days. You can try to fluff cushion by push in and push out on all four sides of the cushion. Hitting the top/front of the cushion with your hand to fluff them after installation.

3. Please allow at least 24 hours for the cushions to recover to its natural state after removing from the package.

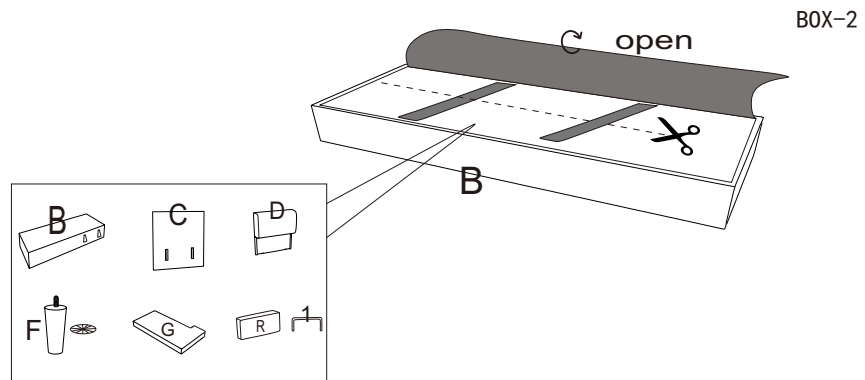


Open up Velcro of Non-Woven Fabric cover on the bottom to remove hardware, legs and parts.

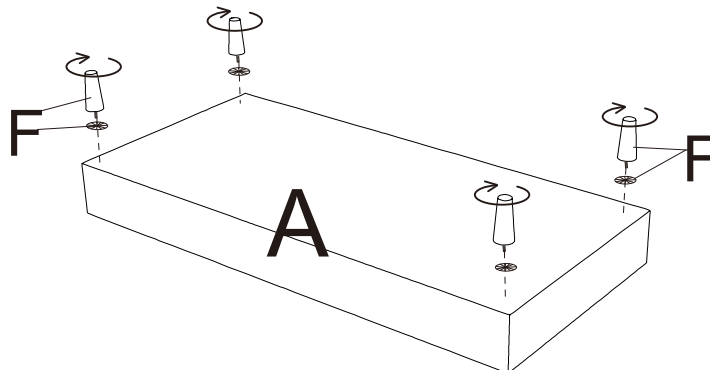
1. Please open the black woven fabric with Velcro closure on the bottom of the frame then cut off the black straps before removing the parts for assembly.

2. After removing the cushion from the compress bag, please allow air to flow through the cushion for few days. You can try to fluff cushion by push in and push out on all four sides of the cushion. Hitting the top/front of the cushion with your hand to fluff them after installation.

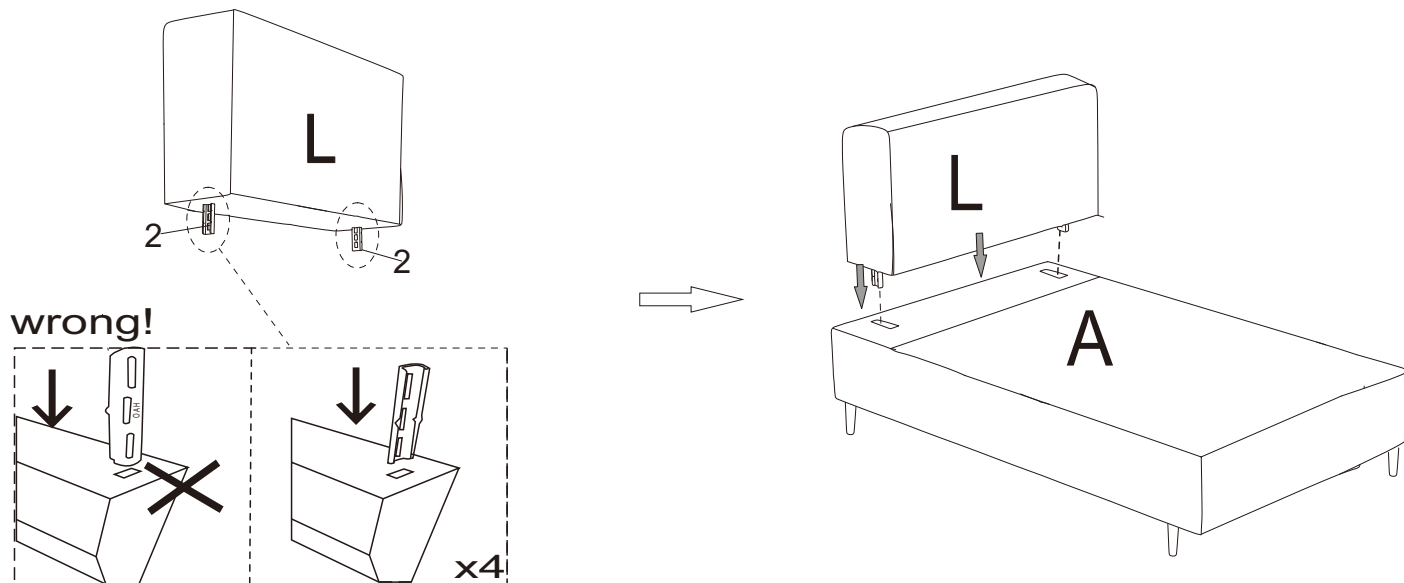
3. Please allow at least 24 hours for the cushions to recover to its natural state after removing from the package.



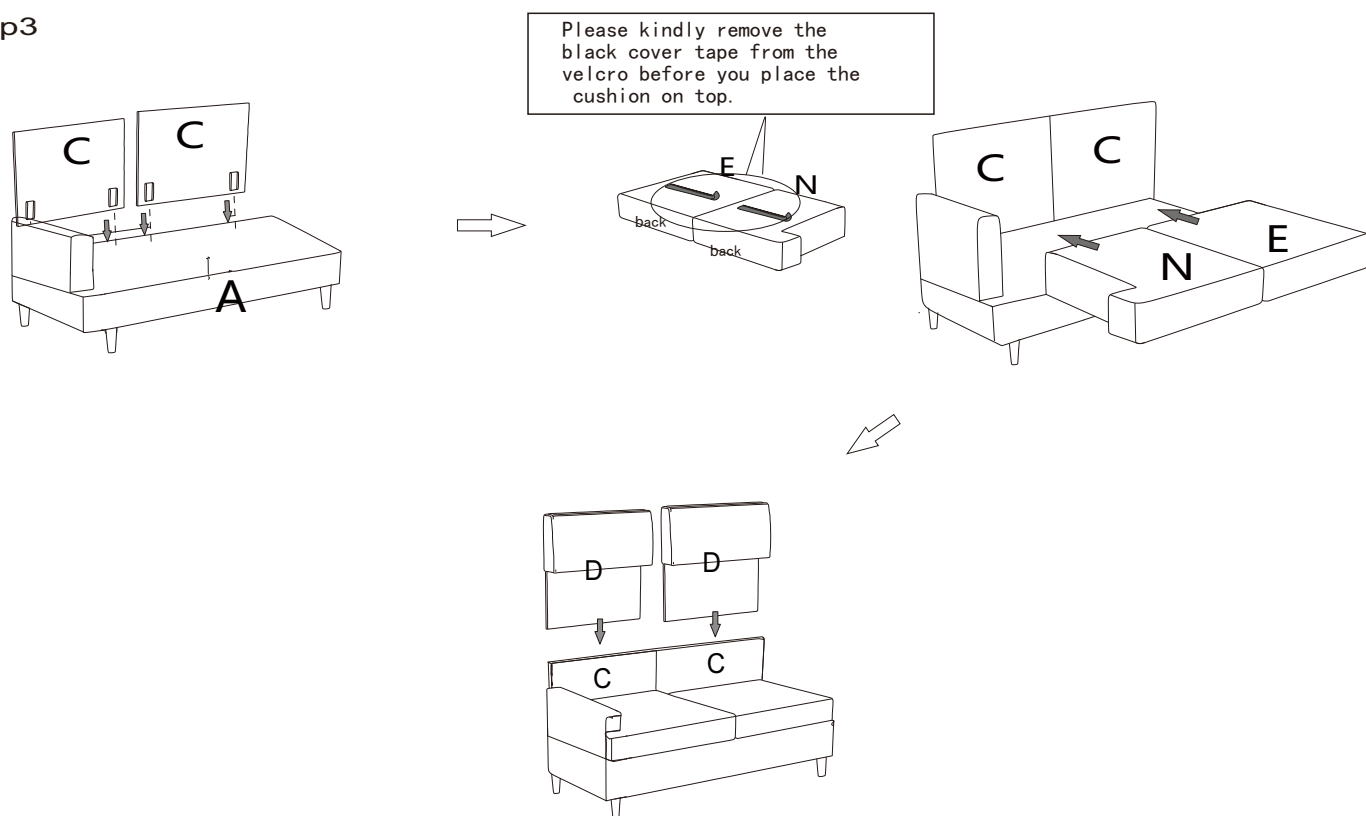
Step1



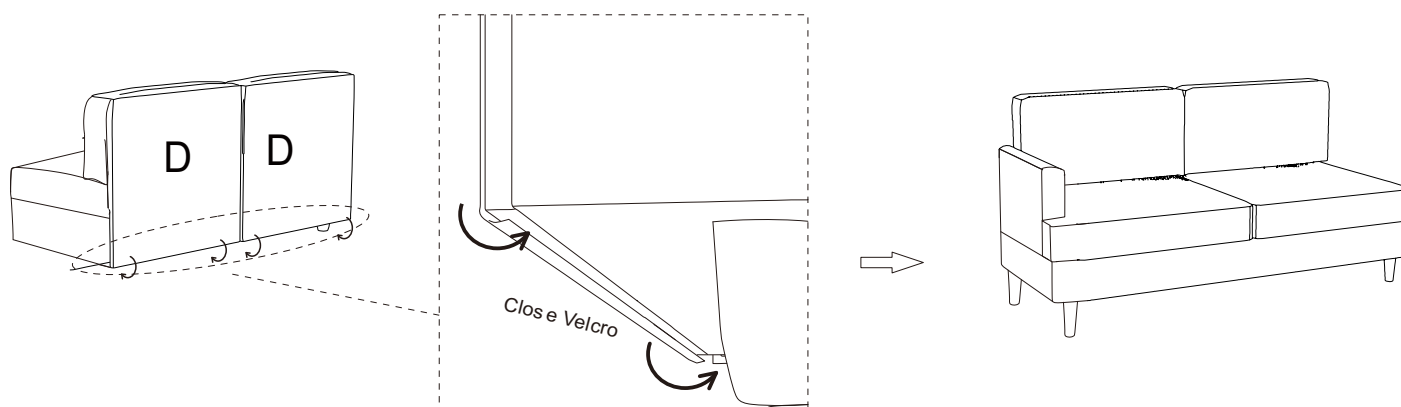
Step2



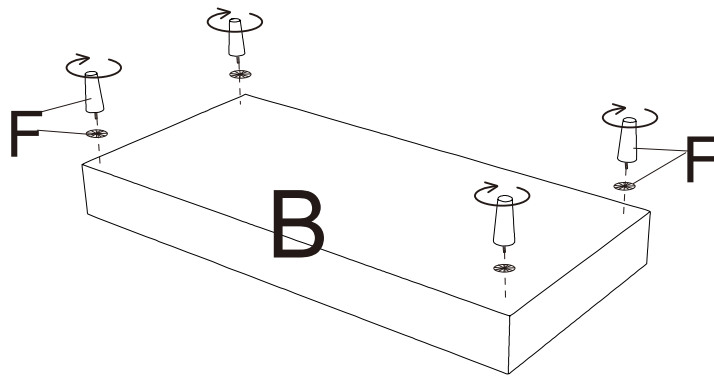
Step3



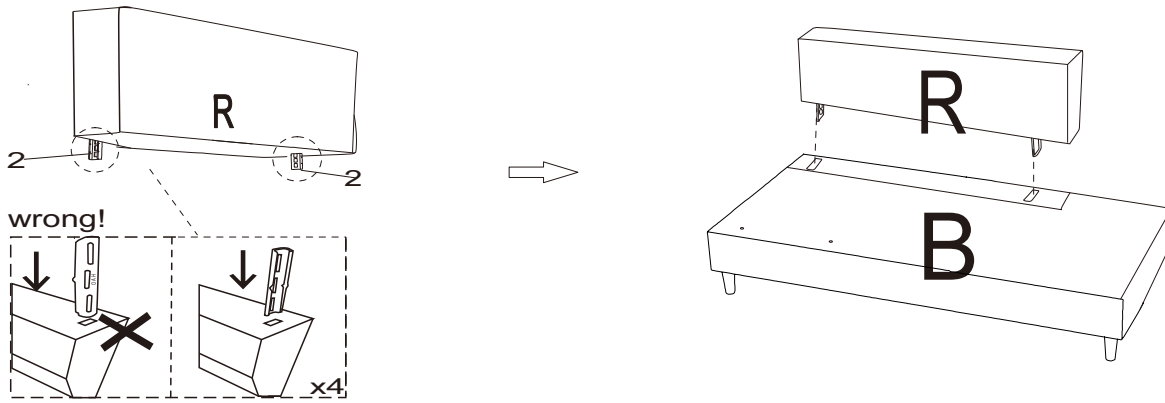
Step4



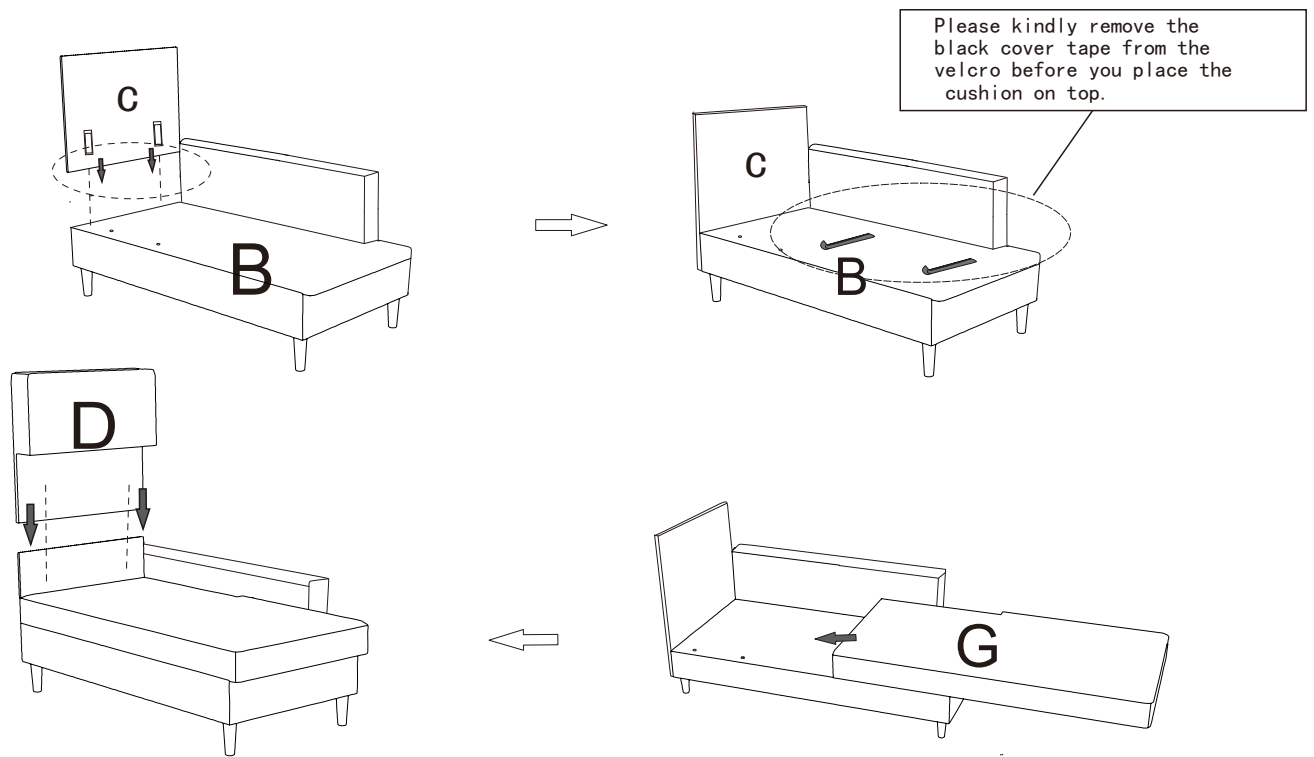
Step5



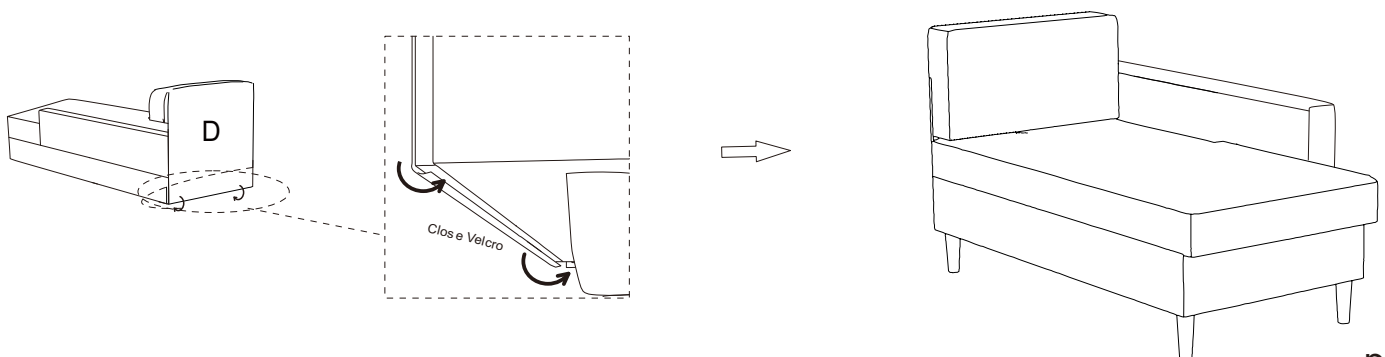
Step6



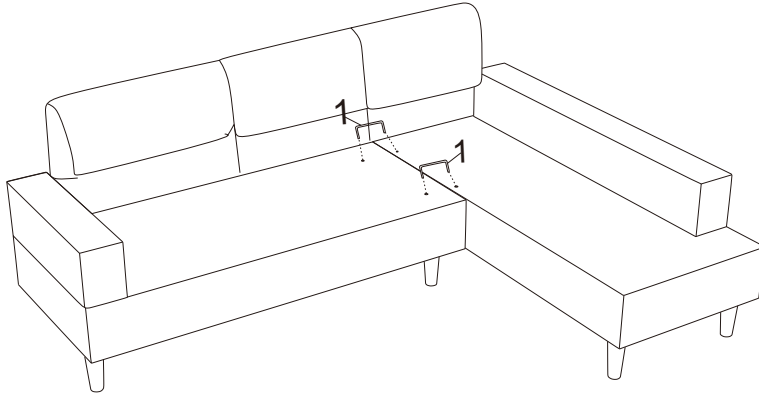
Step7



Step8



Step9



Step10

