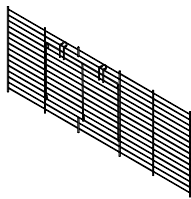
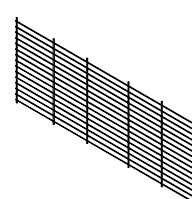
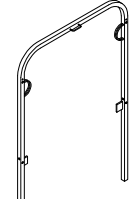
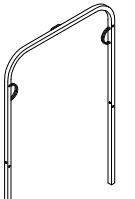
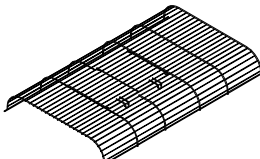
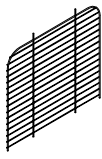
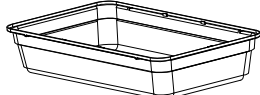
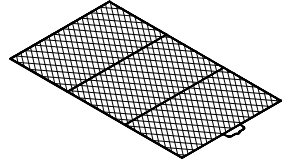
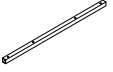
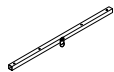
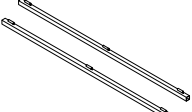
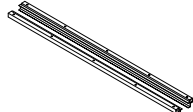



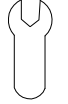
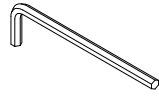
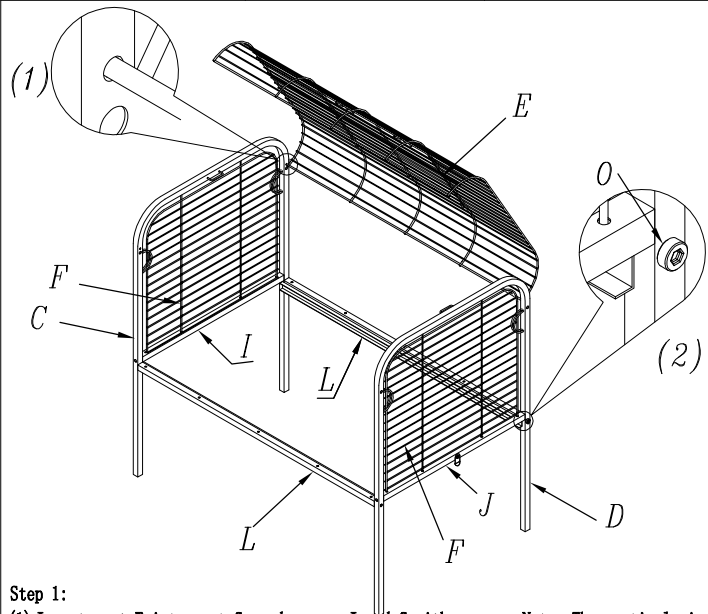
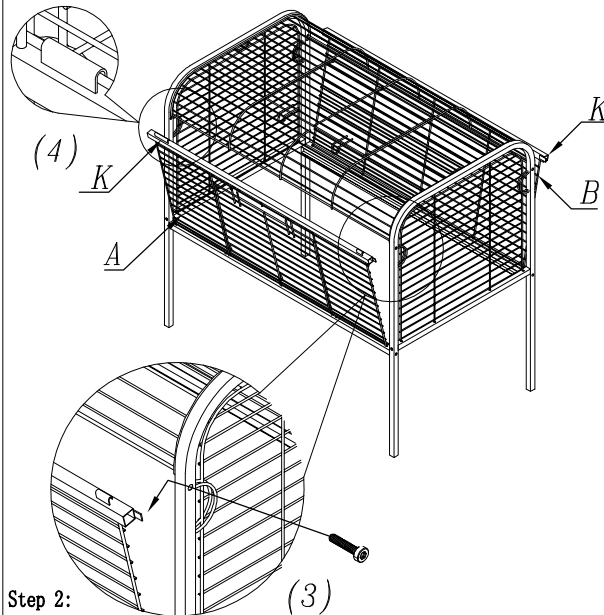


Assembly Instructions

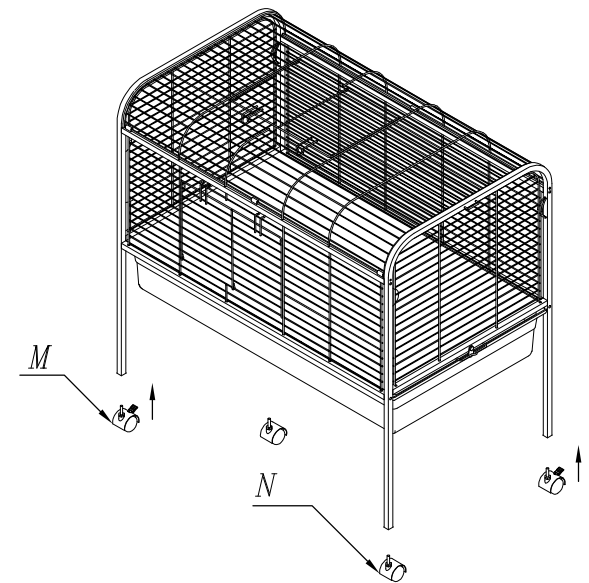
 <p>A (Front Panel): 1 pc</p>	 <p>B (Back Panel): 1 pc</p>	 <p>C (Left Side Frame): 1 pc</p>	 <p>D (Right Side Frame): 1 pc</p>	 <p>E (Top Panel): 1 pc</p>	 <p>F (Side Panel): 2 pcs</p>	 <p>G (Plastic Base): 1 pc</p>	 <p>H (Sliding Grille): 1 pc</p>	
 <p>I (Lower Left Tubing): 1 pc</p>	 <p>J (Lower Right Tubing): 1 pc</p>	 <p>K (Upper Front and Back Tubing): 2 pcs</p>	 <p>L (Lower Front and Back Tubing): 2 pcs</p>	 <p>M (Braked Caster): 2 pcs</p>	 <p>N (Rolling Caster): 2 pcs</p>	 <p>O (Screw): 12 pcs</p>	 <p>P (Wrench): 1 pc</p>	 <p>Q (Allen Wrench): 1 pc</p>



- Step 1:**
- (1) Insert part F into part C, and secure I and C with screws. Note: The vertical wires in part F always need to be outward.
 - (2) Insert part F into part D, and secure J and D with screws. Note: The vertical wires in part F, and the Base Lock in part J always need to be outward.
 - (3) Assemble part L, C and D, secure with screws. Note: The channels in part L always need to be inward as shown in picture (2).
 - (4) Insert the long wire of part E into the holes of part C and D as shown in picture (1).



- Step 2:**
- (1) Insert part A and B into the holes in L, note: The Vertical wires in part F always need to be outward.
 - (2) Assemble part C, D and K, secure with screws as shown in picture (3).
 - (3) Attach parts A, B, and K and made sure the bottom wire of the roof panel fits securely underneath the metal tracks on the upper tubes in picture (4).



- Step 3:**
- (1) Slide part G into the channel provided in L, and put part H above the channel, then close Base Lock.
 - (2) Attach 2 Rolling Casters and 2 Braked Casters into the legs as shown.
- Now, your new cage is ready to use