

ASSEMBLY INSTRUCTIONS



Fine Furniture for every stage of life

POWER ARMLESS RECLINER

REVISION 0: 8/28/2024
REVISION 1: 6/12/2025

PAGE 1 OF 5

ASSEMBLY INSTRUCTIONS

ASSEMBLY TIPS:

1. Remove hardware from box and sort by size.
2. Please check to see that all hardware and parts are present prior to start of assembly.
3. Please follow attached instructions in the same sequence as numbered to assure fast & easy assembly.



WARNING!

1. Don't attempt to repair or modify parts that are broken or defective. Please contact the store immediately.
2. This product is for home use only and not intended for commercial establishments.



HEAVY
3 PEOPLE REQUIRED
TO LIFT (OVER 103LBS)

ASSEMBLY TIME

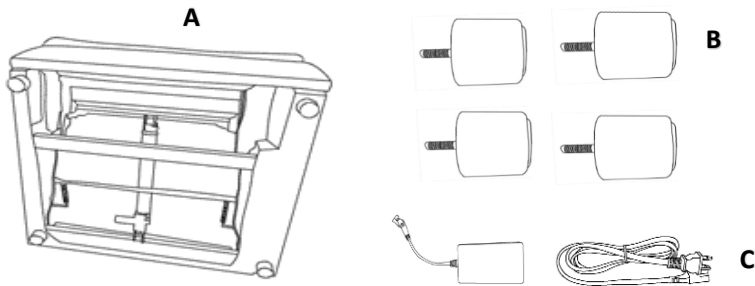
20 MINUTES

PARTS IDENTIFICATION

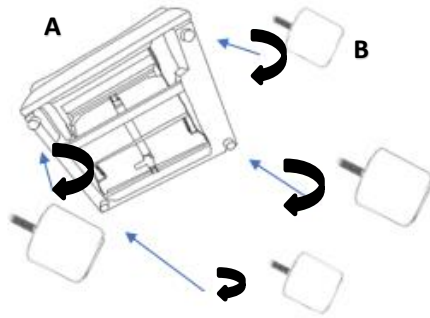
A		BASE	1PC
B		LEG	4PCS
C		TRANSFORMER/POWER CORD	1PC
D		BACK CUSHION	1PC
E		RECLINER BACK	1PC

ASSEMBLY INSTRUCTIONS

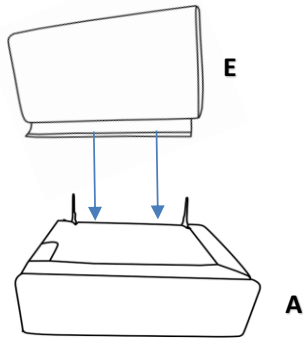
STEP 1



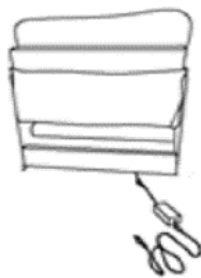
STEP 2

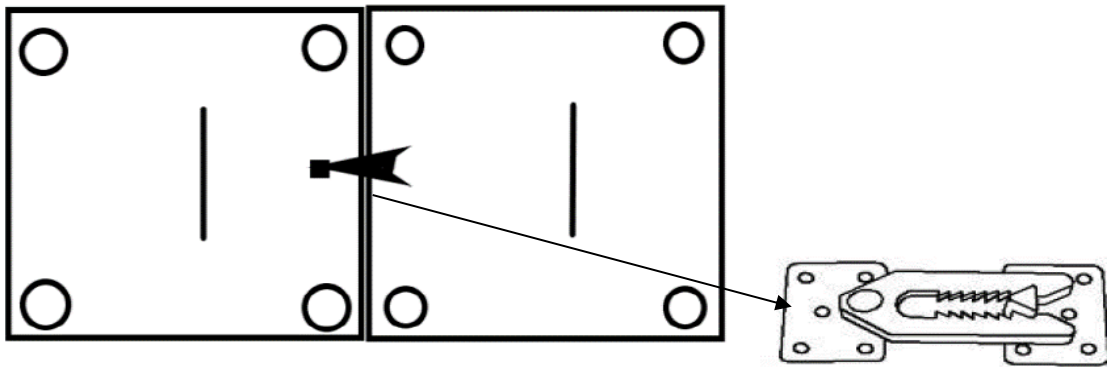
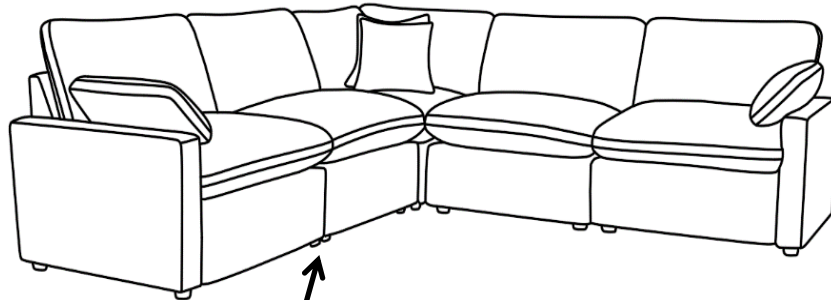


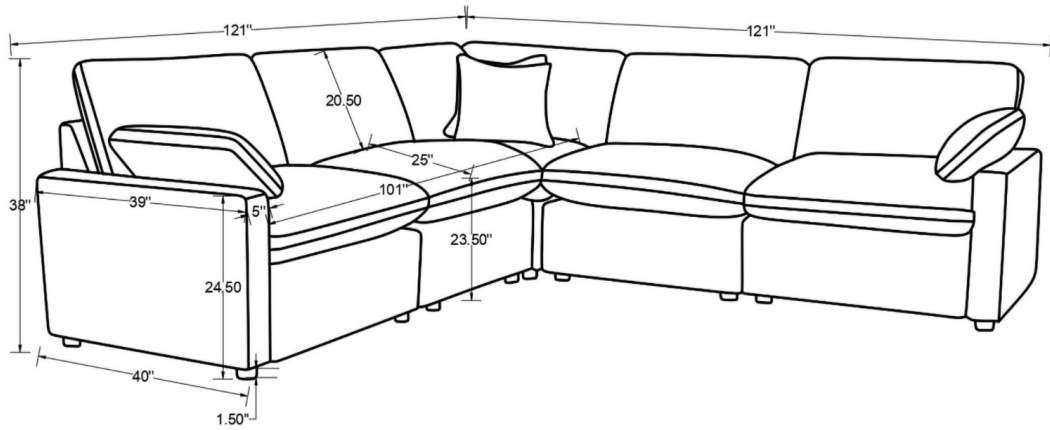
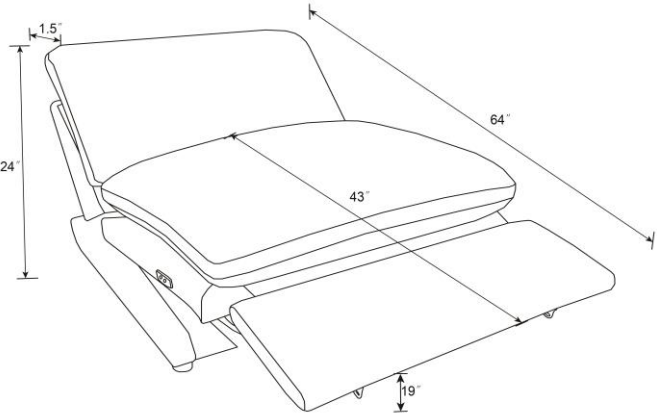
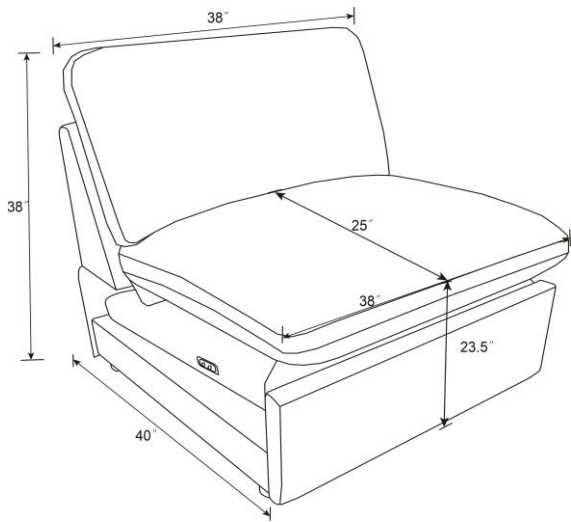
STEP 3



STEP 4 COMPLETE







Note: Dimension tolerance $\pm 5\%$

ASSEMBLY INSTRUCTIONS



Fine Furniture for every stage of life

LAF POWER RECLINER

REVISION 0: 8/28/2024
REVISION 1: 6/12/2025

PAGE 1 OF 5

ASSEMBLY INSTRUCTIONS

ASSEMBLY TIPS:

1. Remove hardware from box and sort by size.
2. Please check to see that all hardware and parts are present prior to start of assembly.
3. Please follow attached instructions in the same sequence as numbered to assure fast & easy assembly.



WARNING!



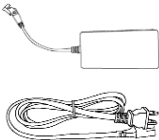



1. Don't attempt to repair or modify parts that are broken or defective. Please contact the store immediately.
2. This product is for home use only and not intended for commercial establishments.



ASSEMBLY TIME

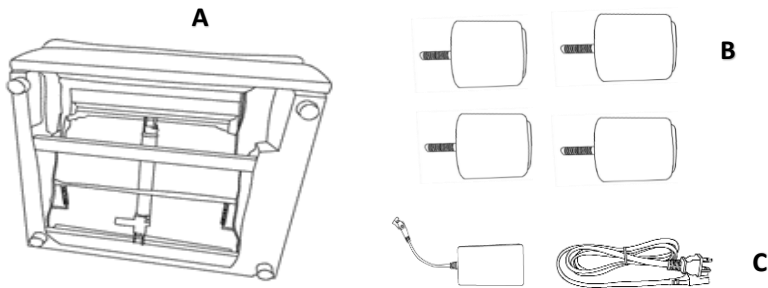
20 MINUTES

PARTS IDENTIFICATION

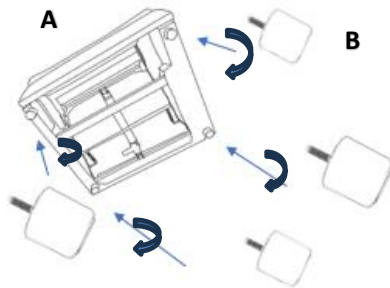
A		BASE	1PC
B		LEG	4PCS
C		TRANSFORMER/POWER CORD	1PC
D		ARM PILLOW	1PC
E		RECLINER BACK	1PC
F		BACK CUSHION	1PC

ASSEMBLY INSTRUCTIONS

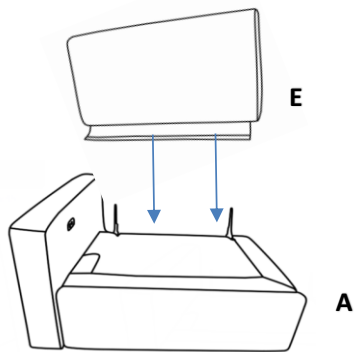
STEP 1



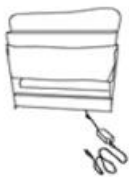
STEP 2

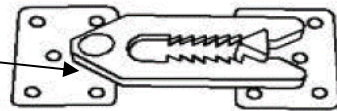
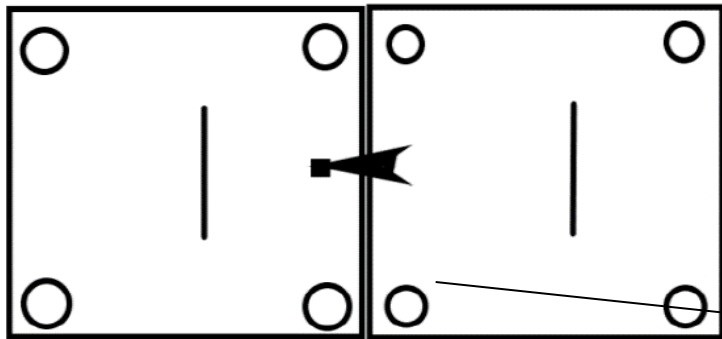
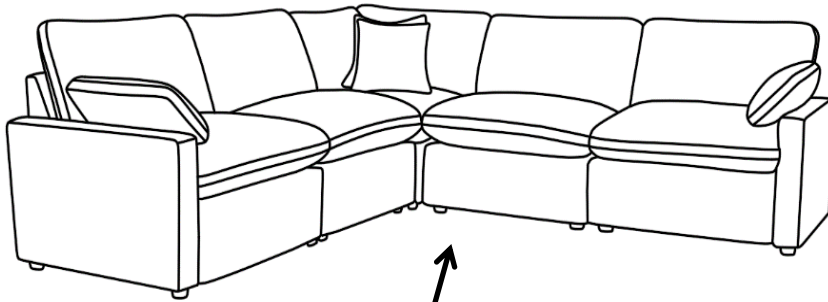


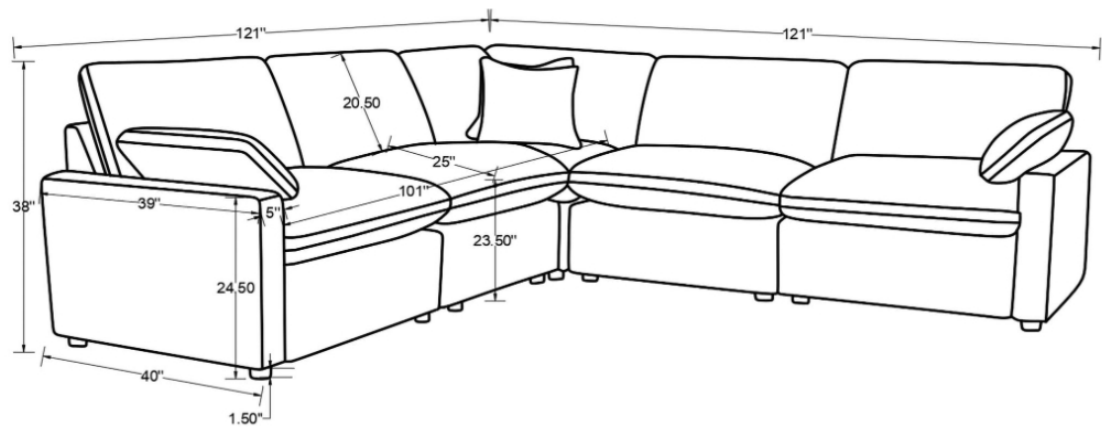
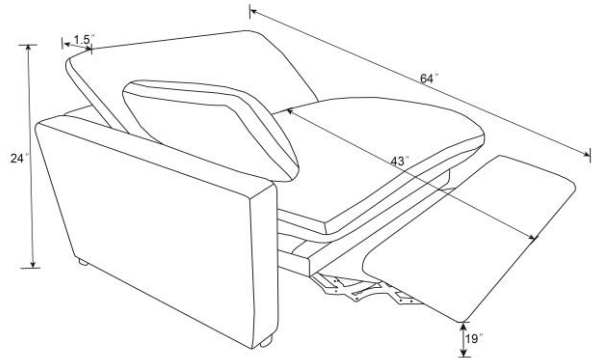
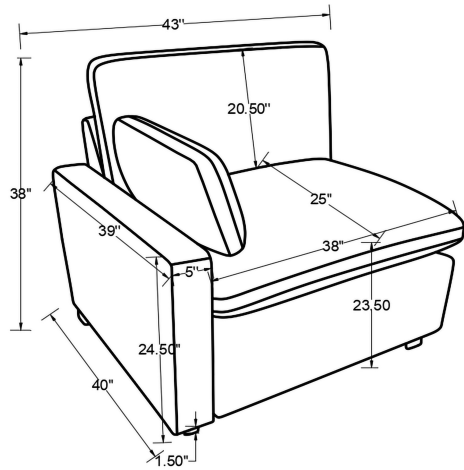
STEP 3



STEP 4 **COMPLETE**







Note:Dimension tolerance±5%

ASSEMBLY INSTRUCTIONS



Fine Furniture for every stage of life

RAF POWER RECLINER

REVISION 0: 8/28/2024
REVISION 1: 6/12/2025

PAGE 1 OF 5

ASSEMBLY INSTRUCTIONS

ASSEMBLY TIPS:

1. Remove hardware from box and sort by size.
2. Please check to see that all hardware and parts are present prior to start of assembly.
3. Please follow attached instructions in the same sequence as numbered to assure fast & easy assembly.



WARNING!

1. Don't attempt to repair or modify parts that are broken or defective. Please contact the store immediately.
2. This product is for home use only and not intended for commercial establishments.



ASSEMBLY TIME

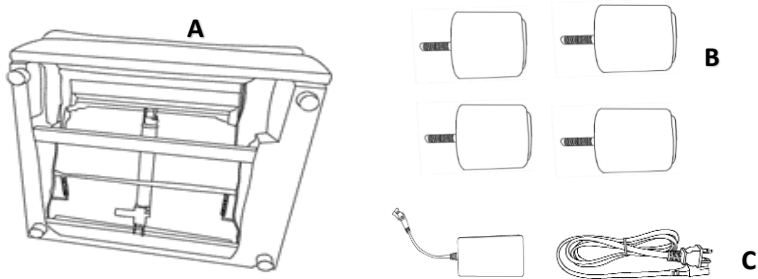
20 MINUTES

PARTS IDENTIFICATION

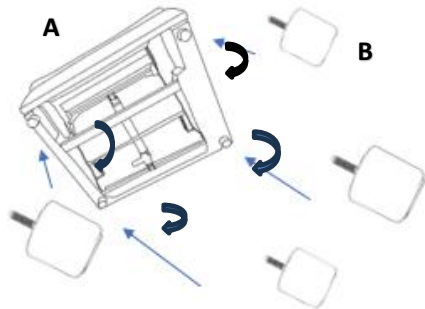
A		BASE	1PC
B		LEG	4PCS
C		TRANSFORMER/POWER CORD	1PC
D		ARM PILLOW	1PC
E		RECLINER BACK	1PC
F		BACK CUSHION	1PC

ASSEMBLY INSTRUCTIONS

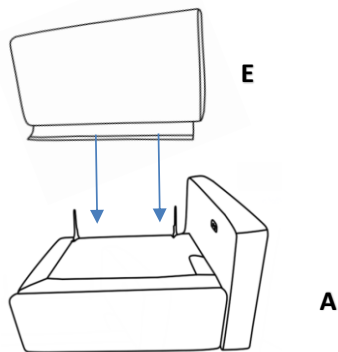
STEP 1



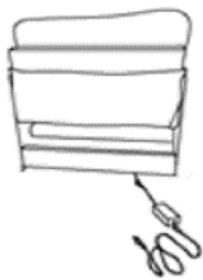
STEP 2

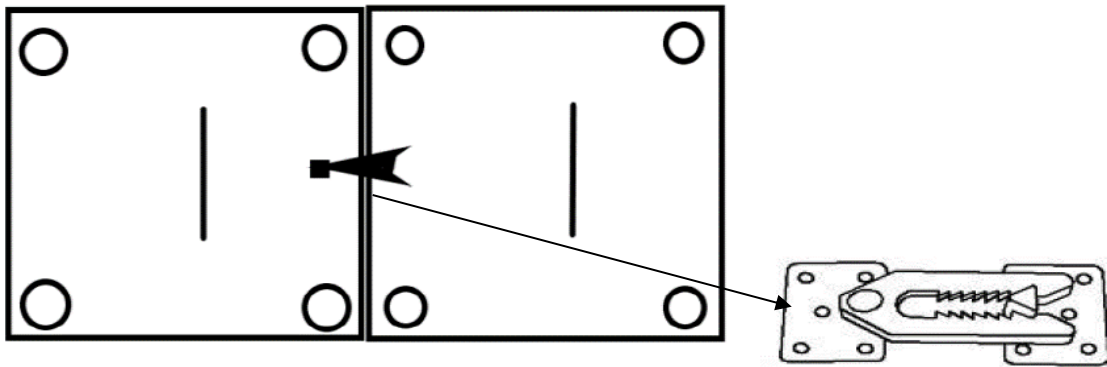
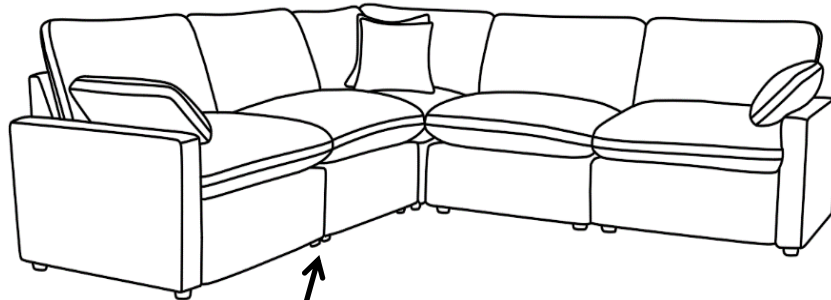


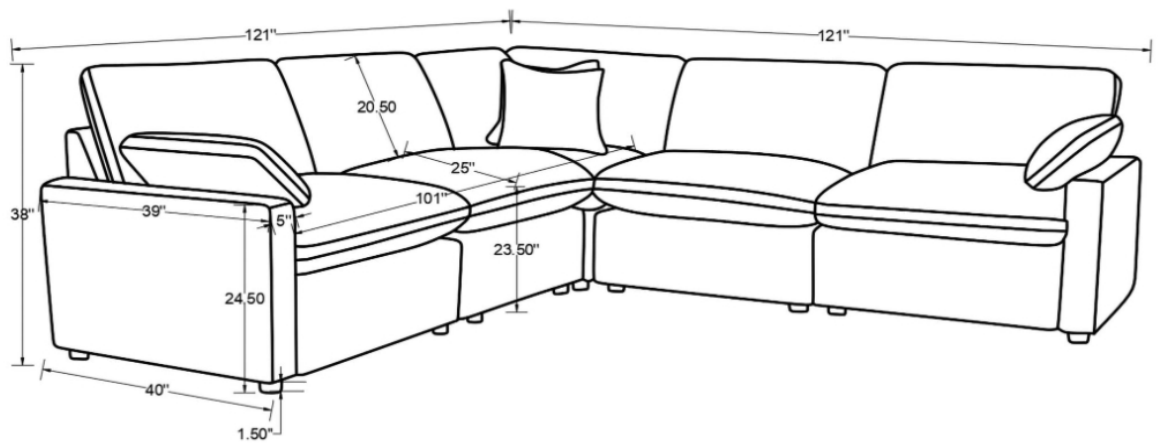
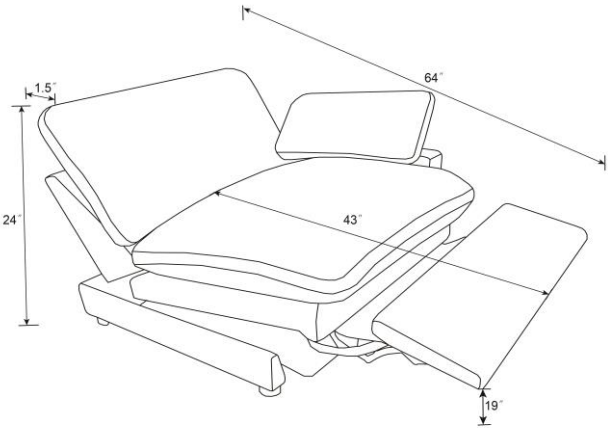
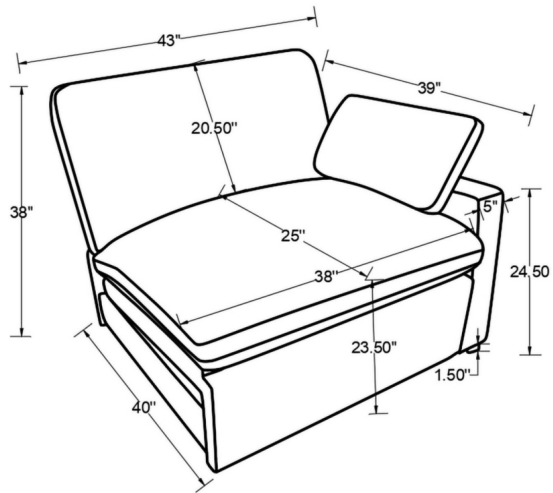
STEP 3



STEP 4 COMPLETE







Note: Dimension tolerance $\pm 5\%$

ASSEMBLY INSTRUCTIONS



Fine Furniture for every stage of life

CONSOLE

ASSEMBLY INSTRUCTIONS

ASSEMBLY TIPS:

1. Remove hardware from box and sort by size.
2. Please check to see that all hardware and parts are present prior to start of assembly.
3. Please follow attached instructions in the same sequence as numbered to assure fast & easy assembly.



WARNING!

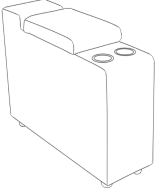
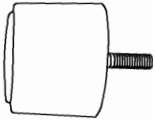

1. Don't attempt to repair or modify parts that are broken or defective. Please contact the store immediately.
2. This product is for home use only and not intended for commercial establishments.



ASSEMBLY TIME

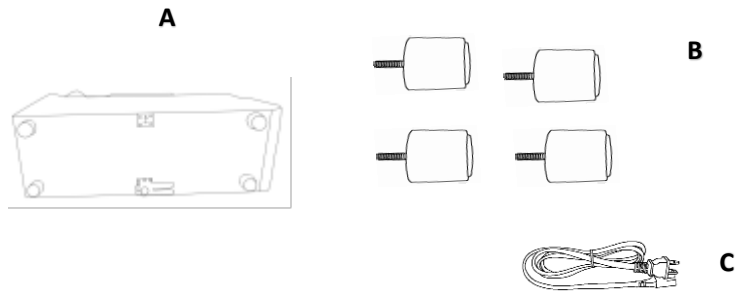
5 MINUTES

PARTS IDENTIFICATION

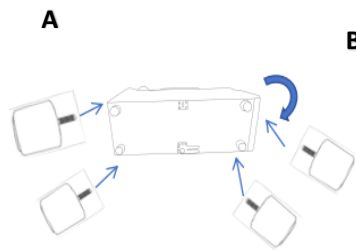
A		BASE	1PC
B		LEG	4PCS
C		POWER CORD	1PC

ASSEMBLY INSTRUCTIONS

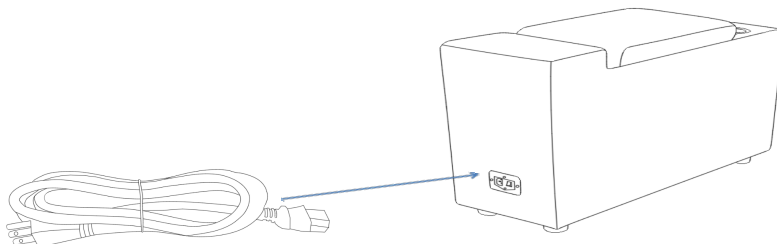
STEP 1



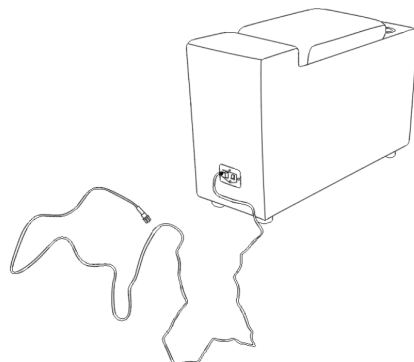
STEP 2

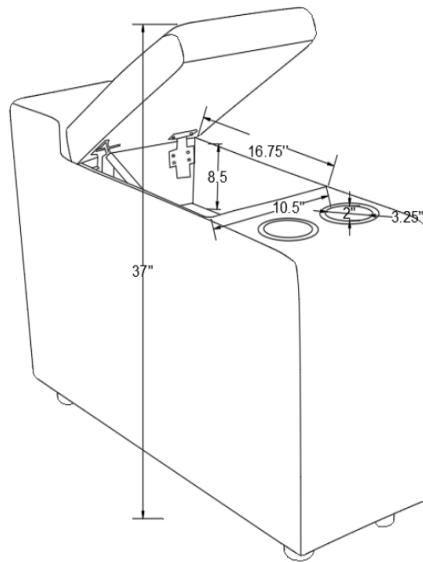
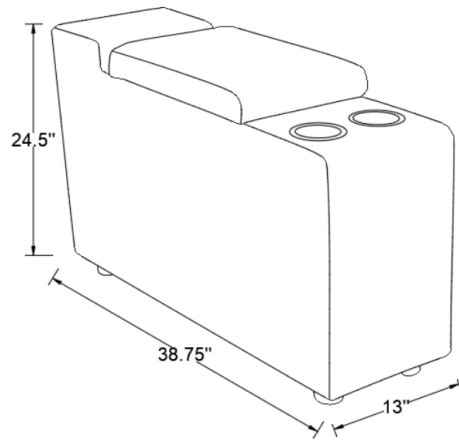


STEP 3



STEP 4 **COMPLETE**





Note: Dimension tolerance $\pm 5\%$