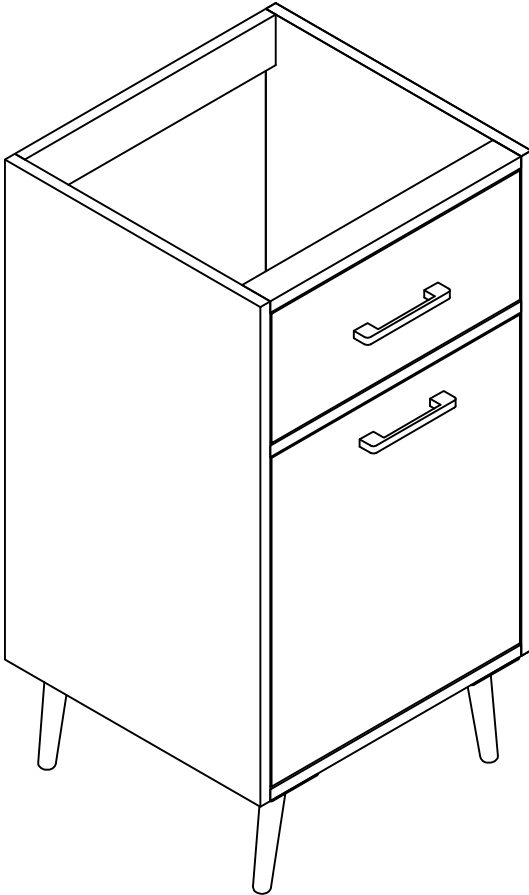




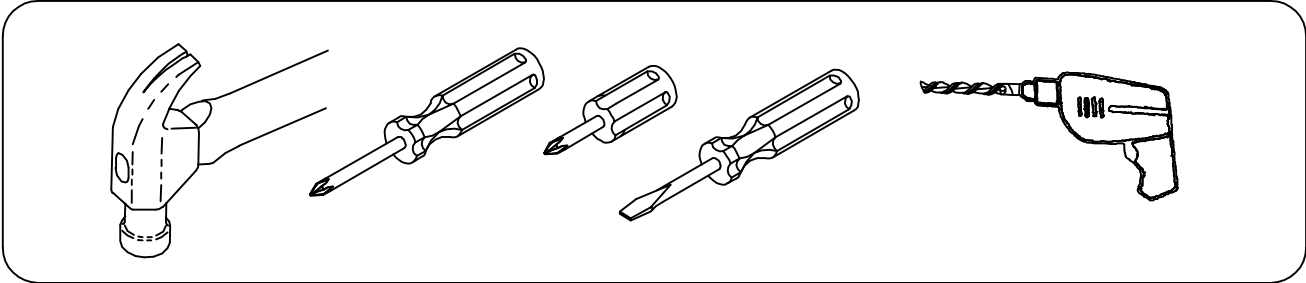
Installation & Assembly



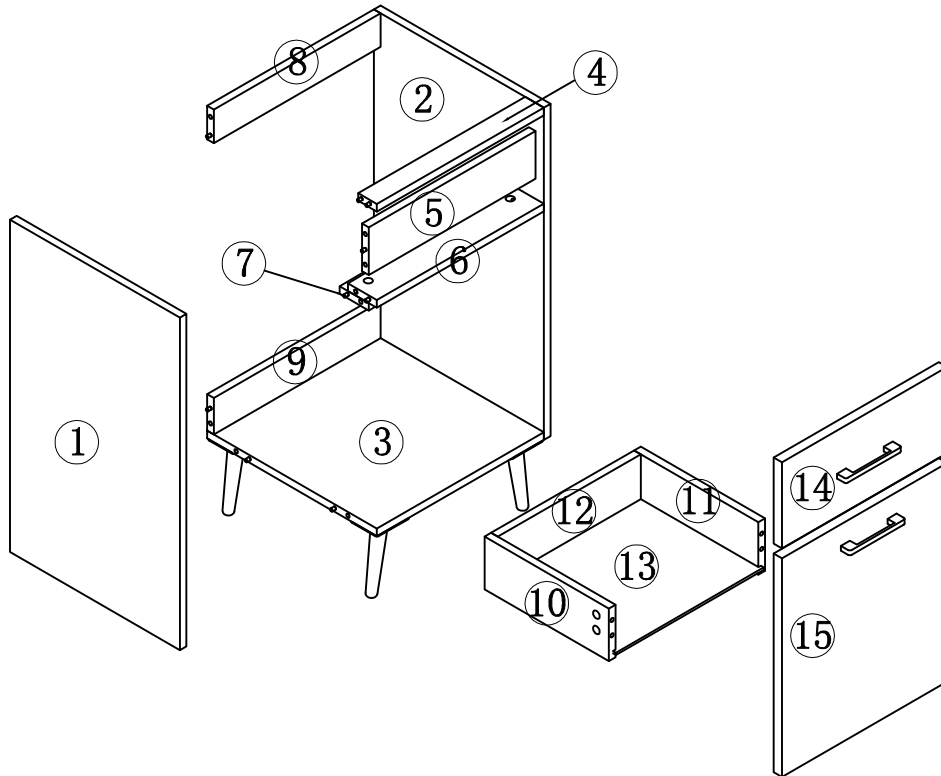
DIMENSIONS

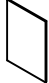

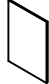
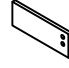
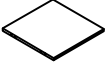
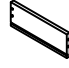

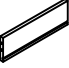
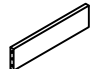
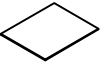

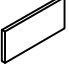















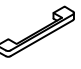
YOU MAY NEED (NOT SUPPLY)




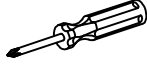
ASSEMBLY DIAGRAM



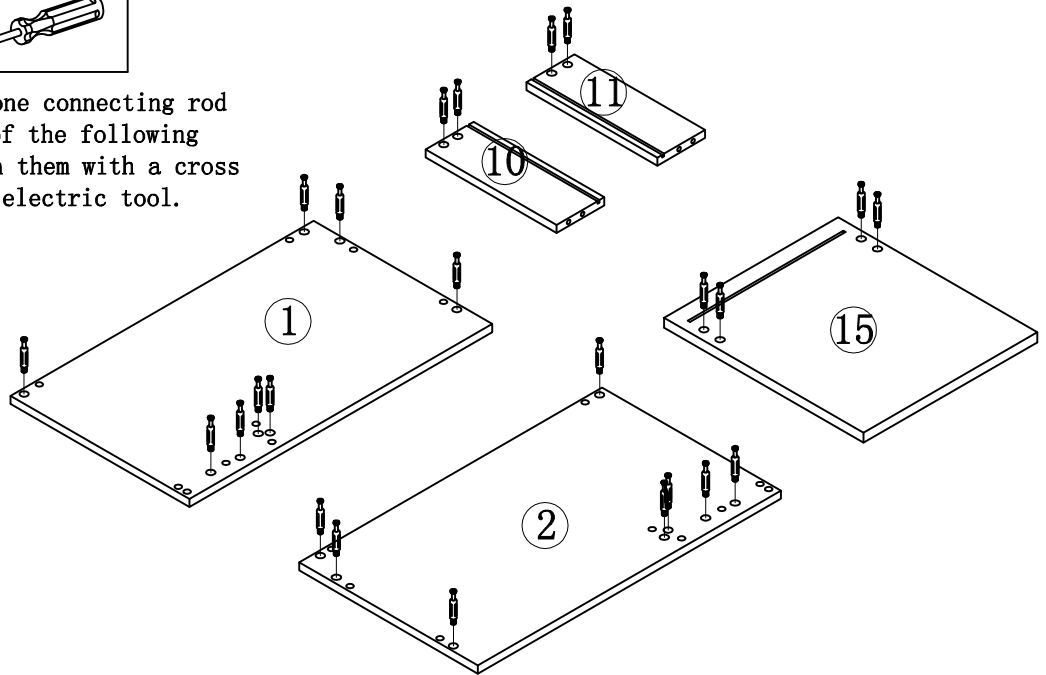
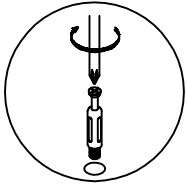
PARTS LIST					
PARTS LIST					
NO	DESCRIPTION	QTY	NO	DESCRIPTION	QTY
①	Left side panel 	1	⑨	Rear baffle 	1
②	Right side panel 	1	⑩	Drawer left panel 	1
③	Bottom panel 	1	⑪	Drawer right panel 	1
④	Front pull strips 	1	⑫	Drawer rear panel 	1
⑤	Front pull strips 	1	⑬	Drawer bottom panel 	1
⑥	Front pull strips 	1	⑭	Front sealing plate 	1
⑦	Front pull strips 	1	⑮	Drawer front panel 	1
⑧	Rear baffle 	1			

PARTS LIST					
HARDWARE LIST					
NO	DESCRIPTION	QTY	NO	DESCRIPTION	QTY
A	Three-in-one eccentric wheel 	24	G	4*16mm screw 	28
B	Three-in-one connecting rod 	24	H	4*30mm screw 	2
C	Three-in-one sticker 	24	I	4*23mm screw 	2
D	8*40mm wood dowel pins 	18	J	4*18mm screw 	2
E	Drawer slides 	2	K	Metal feet 	4
F	Door handle 	2			
<p>CAUTION: Please confirm the parts list before installation</p>					

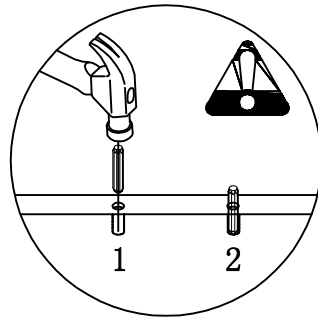
STEP 1

HARDWARE LIST	
Three-in-one connecting rod B  24PCS	

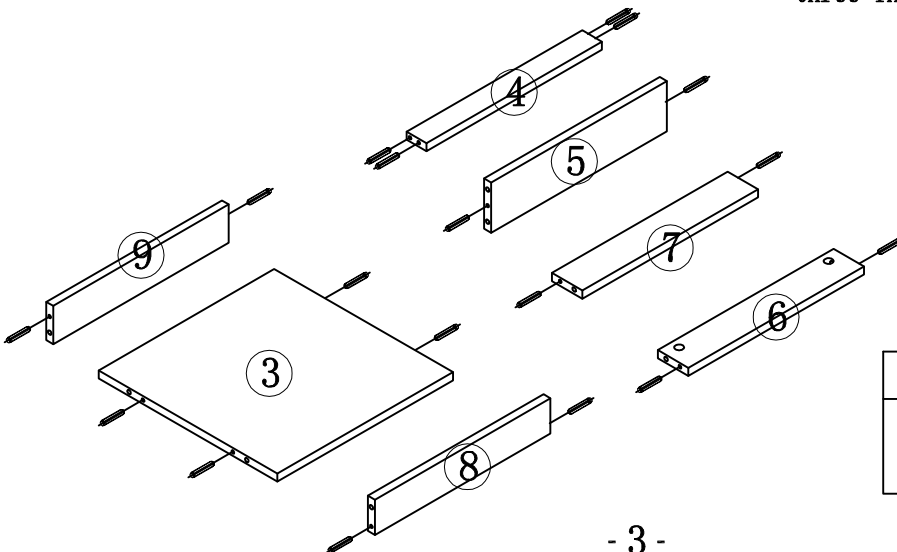
1. Put the three-in-one connecting rod in the 10mm hole of the following panels and tighten them with a cross screwdriver or an electric tool.


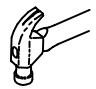


STEP 2

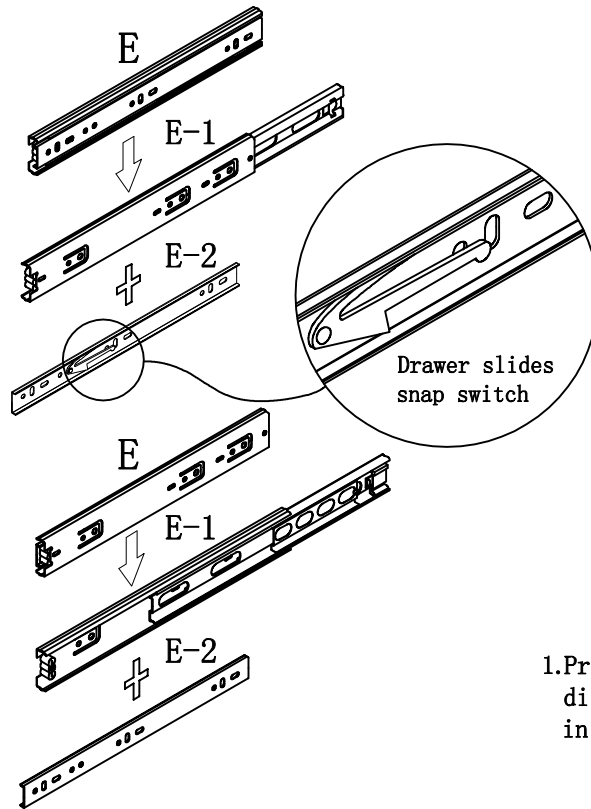


1. Strike the 08*40mm wood dowel pin into the 8m hole of the above panels with an iron hammer. Please note that the hole of the three-in-one connecting rod should also be 8mm. The hole of the three-in-one connecting rod connects to the hole of 15mm three-in-one eccentric wheel.



HARDWARE LIST	
8*40mm wood dowel pins D  18PCS	

STEP 3

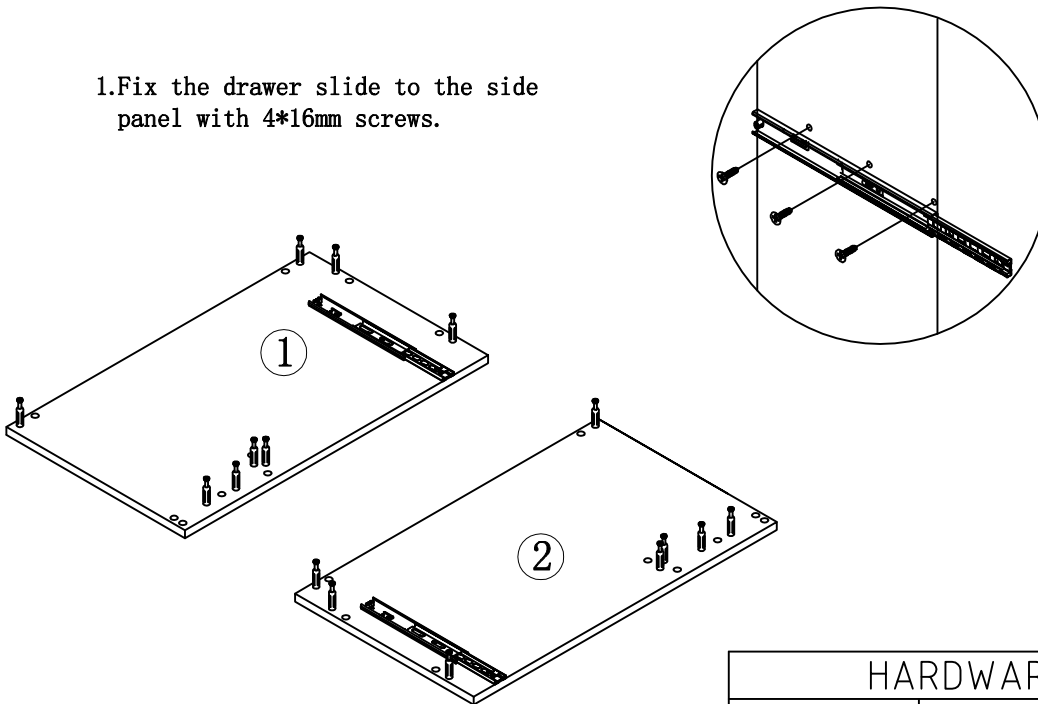


HARDWARE LIST	
Drawer slides	
E 2PCS	

1. Press the slide snap switch, disassemble slide blocks and put them in a place properly for further use.

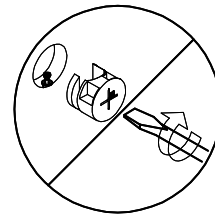
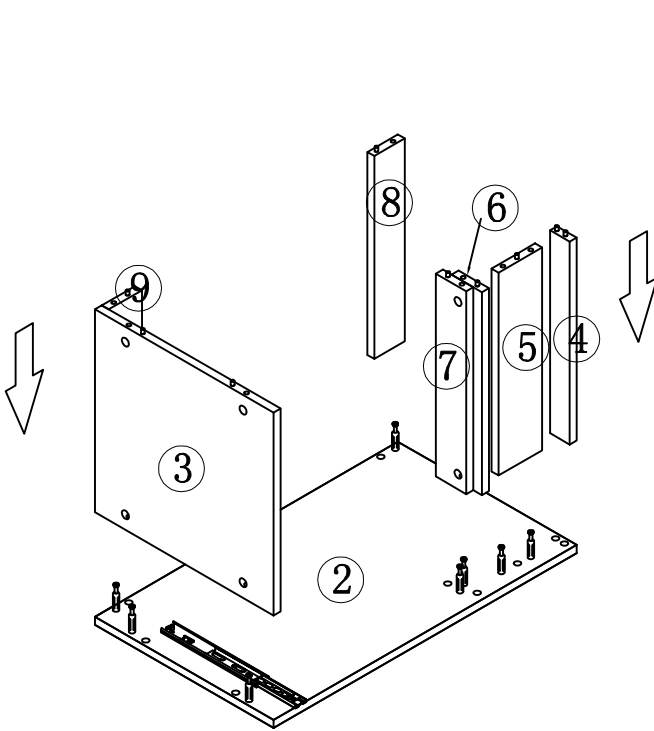
STEP 4

1. Fix the drawer slide to the side panel with 4*16mm screws.

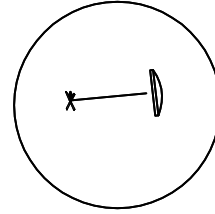


HARDWARE LIST		
4*16mm screw	Drawer slides	
G 6PCS	E-1 2PCS	




STEP 5



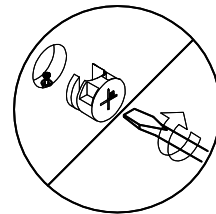
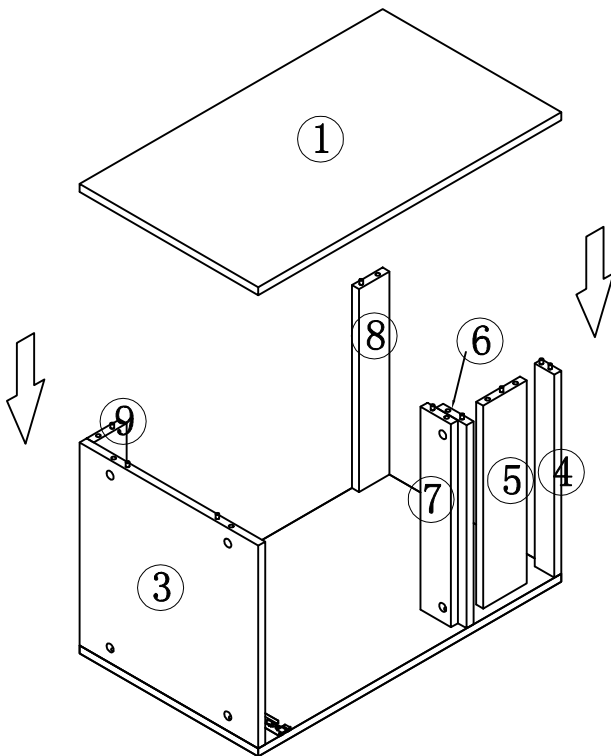
1. Connect No. 3-4-5-6-7-8-9 panel to No. 2 panel tightly with the three-in-one eccentric wheel.



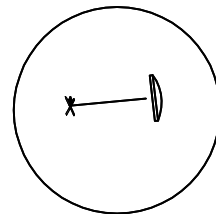
2. Cover the mounting hole of the eccentric wheel with a three-in-one sticker.

HARDWARE LIST		
Three-in-one eccentric wheel A  8PCS	Three-in-one sticker C  8PCS	




STEP 6



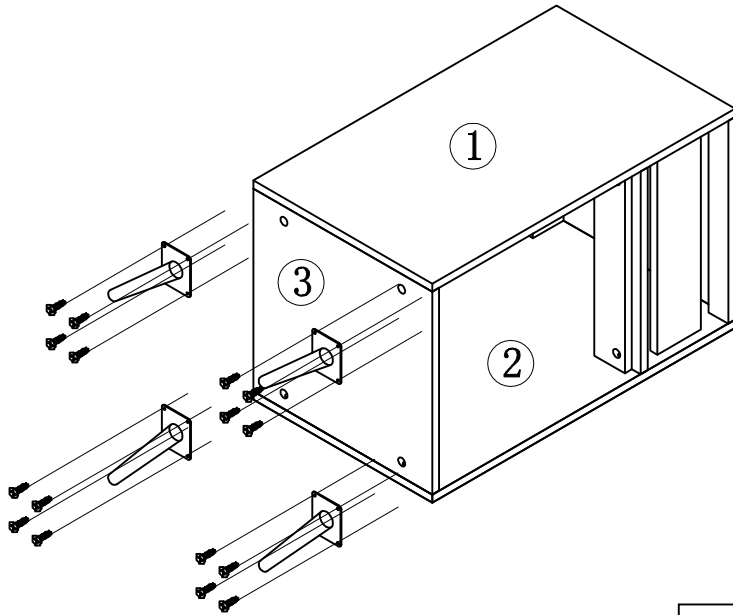
1. Connect No. 1 panel to No. 3-4-5-6-7-8-9 panel tightly with the three-in-one eccentric wheel.






2. Cover the mounting hole of the eccentric wheel with a three-in-one sticker.

HARDWARE LIST		
Three-in-one eccentric wheel A  8PCS	Three-in-one sticker C  8PCS	

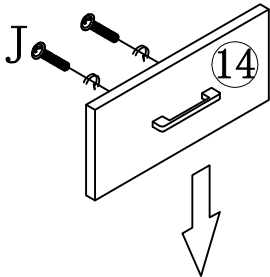
STEP 7



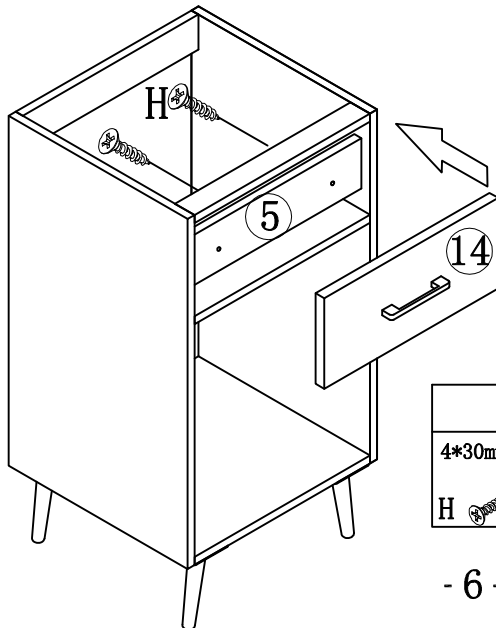
Use 4*16 screws to fix the Metal feet

HARDWARE LIST		
4*16mm screw	Metal feet	
G  16PCS	K  4PCS	





STEP 8



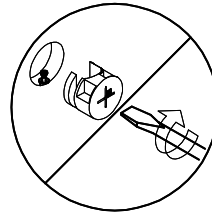
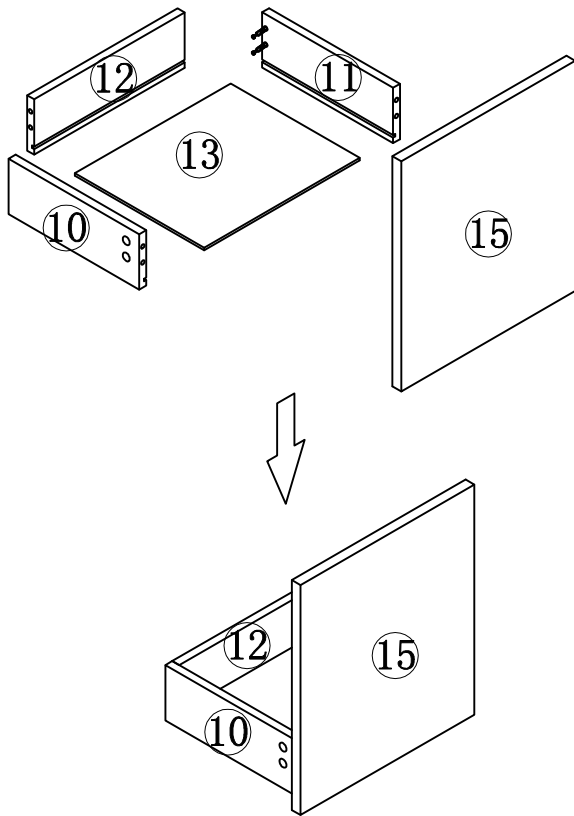
Install the door handle with 4*18mm screws.



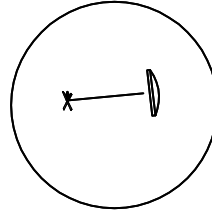
Use screws (H) to tightly connect the No.14 panel with the No.5 panel.

HARDWARE LIST			
4*30mm screw	4*18mm screw	Door handle	
H  2PCS	J  2PCS	F  1PCS	

STEP 9






1. Install No. 10-11-12-13-15 panels with the three-in-one eccentric wheel tightly.

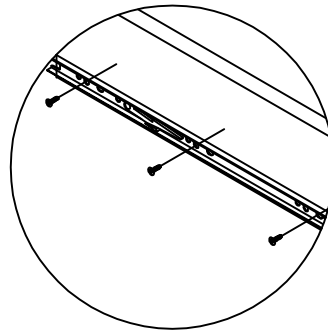
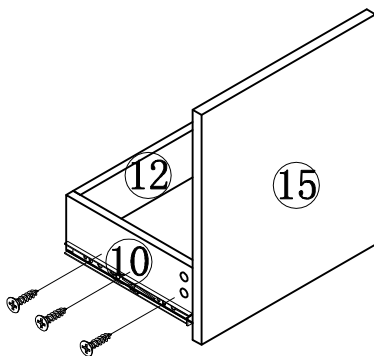


2. Cover the mounting hole of the eccentric wheel with a three-in-one sticker.

HARDWARE LIST




Three-in-one eccentric wheel A  8PCS	Three-in-one sticker C  8PCS	
---	---	--

STEP 10

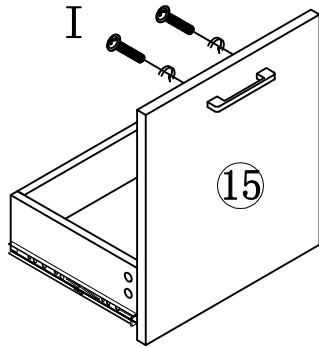


Lock the spare drawer slide block to the drawer.


HARDWARE LIST

4*16mm screw G  6PCS	Drawer slides E-2  2PCS	
--	---	---

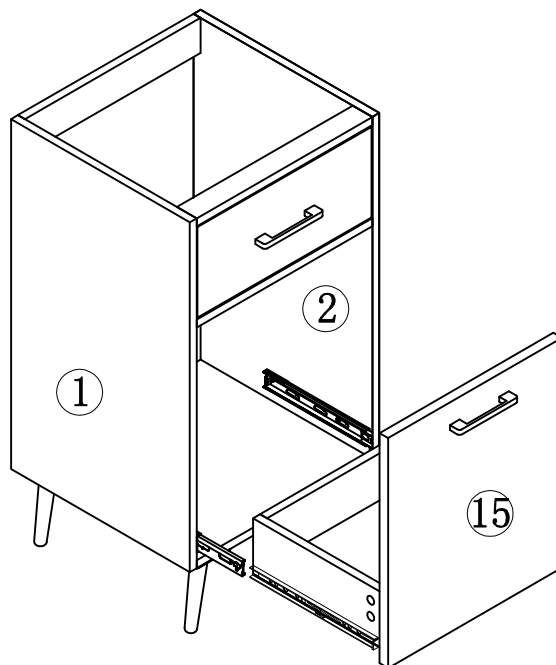
STEP 11



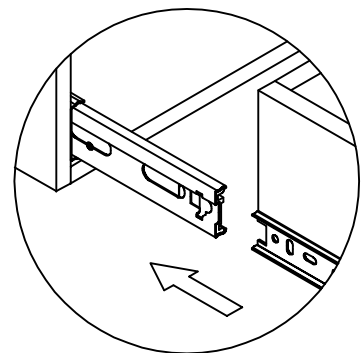
Install the door handle with 4*23mm screws.

HARDWARE LIST		
Door handle	4*23mm screw	
F  1PCS	I  2PCS	

STEP 12



Align slide block with the trough on the guide rail, press the snap switch and press it forward to install the drawer.





Choking hazard-Small Parts : This unit contains small parts, not for children under 3 years.

Tip-over hazard : Secure finished unit to wall stud using L-Bracket and wall screw (#10*1.5"W/out provided). If a wall stud is not neccessible , Consault your local hardware store for appropriate mounting hardware . Failure to properly install will result in product collapse or tip-over. Serious injury can occur .