

Malibu/Zen	Monaco/Chi	Mobile	Front Entry	Lounger
<p>Actual Size: 30x52x42 Seat Width: 20 inches Shipping Size: 32x55x50 Shipping Weight: 295 lbs. Net Weight: 215 lbs. Water Capacity: 90 gal. Occupied: 55-75 gal. Drainage Time: +/- 80 sec at ideal home plumbing conditions (occupied)</p>	<p>Actual Size: 32x52x42 Seat Width: 23 inches Shipping Size: 34x55x50 Shipping Weight: 300 lbs. Net Weight: 220 lbs. Water Capacity: 95 gal. Occupied: 55-85 gal. Drainage Time: +/- 80 sec at ideal home plumbing conditions (occupied)</p>	<p>Actual Size: 26x45x42 Seat Width: 19 inches Shipping Size: 28x48x50 Shipping Weight: 280 lbs. Net Weight: 210 lbs. Water Capacity: 75 gal. Occupied: 35-55 gal. Drainage Time: +/- 140 sec at ideal home plumbing conditions (occupied)</p>	<p>Actual Size: 32x40x42 Seat Width: 24 inches Shipping Size: 34x43x50 Shipping Weight: 280 lbs. Net Weight: 200 lbs. Water Capacity: 70 gal. Occupied: 25-55 gal. Drainage Time: +/- 140 sec at ideal home plumbing conditions (occupied)</p>	<p>Actual Size: 27x59x42 Seat Width: 19.5 inches Shipping Size: 29x60x50 Shipping Weight: 295 lbs. Net Weight: 215 lbs. Water Capacity: 85 gal. Occupied: 45-65 gal. Drainage Time: +/- 80 sec at ideal home plumbing conditions (occupied)</p>

Included Features

- Acrylic Tub Shell:
 - High quality acrylic
 - Excellent color uniformity
 - High Gloss White Finish
- Stainless Steel Frame with Adjustable Leveling Legs
- Plastic composite and tempered glass outward swing door with gear and shaft mechanics for 3 door latches
- One (1) end panel on faucet side included, does not apply to Front Entry
- Two (2) side panels, only applies to Front Entry
- Extension panel, filler for 60" alcove installations for Malibu, Monaco, Zen and Chi
- Stainless steel chrome finished U-shape deck mount grab bar, does not apply to Front Entry and Lounger
- Stainless steel chrome finish wall mount grab bar, does not apply to Front Entry

Floor Drains

Malibu, Monaco, Lounger:

Two (2) 2" Brass threaded floor drains with copper overflow and cable operated opener with extended handle

Mobile:

One (1) 2" brass threaded floor drain with copper overflow and cable operated opener with extended handle

Front Entry:

One (1) 2" PVC T-type two (2) outlet drain with endcap

Warranty

- Lifetime limited warranty on acrylic walk in tub shell, frame, and door
- 5 year parts warranty (please visit www.ellasbubbles.com for more detailed information)

Optional Equipment

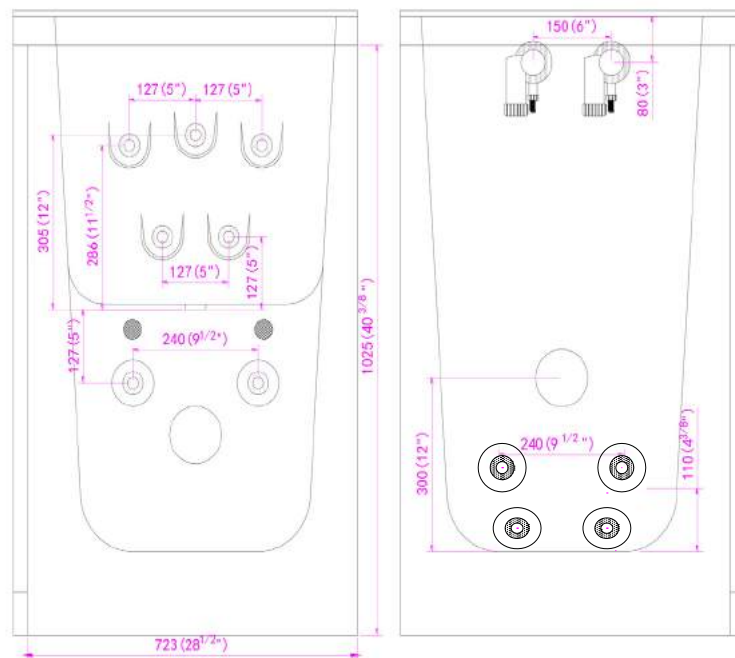
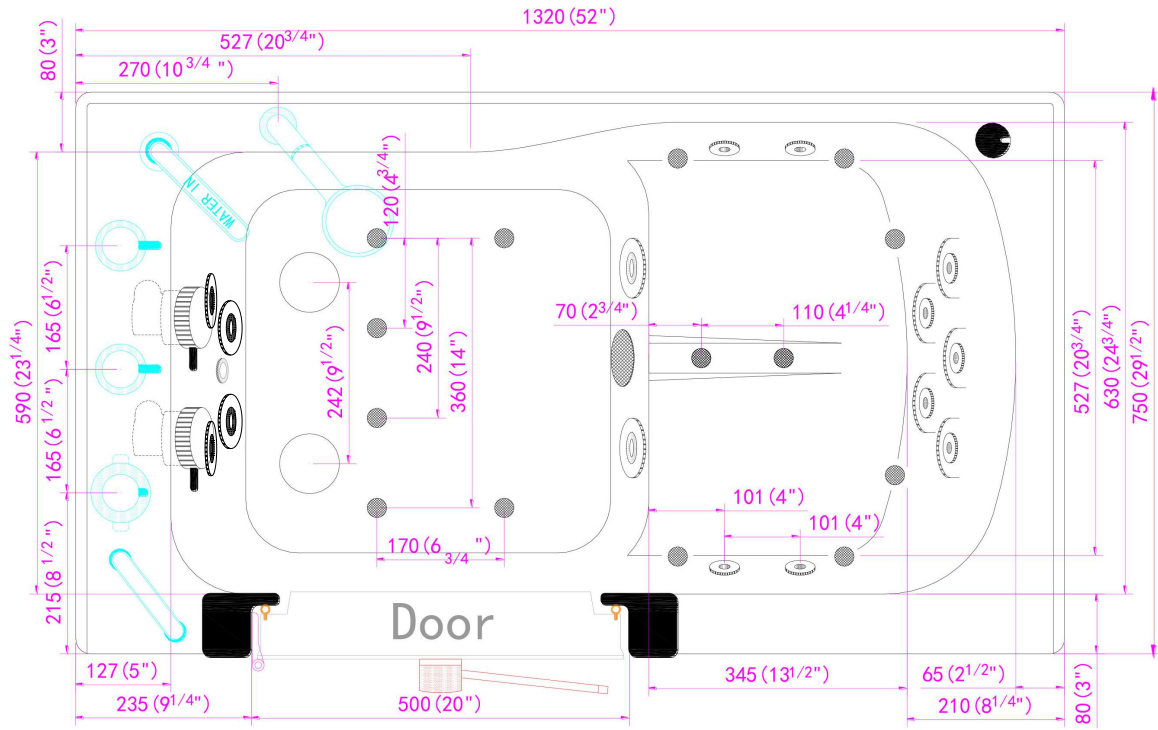
- Hydro Massage System 5AMP 600W
 - Refer to technical drawing for jet count
 - Hydro Massage Air Flow Intensity Control
 - In-line water heater 5.5AMP 650W
 - Ozone Sterilization
- Air Massage System 4.5AMP 486W
 - Refer to technical drawing for jet count
 - 3 Speed Pump
 - Autopurge (Activates 20 minutes after pump shutdown)

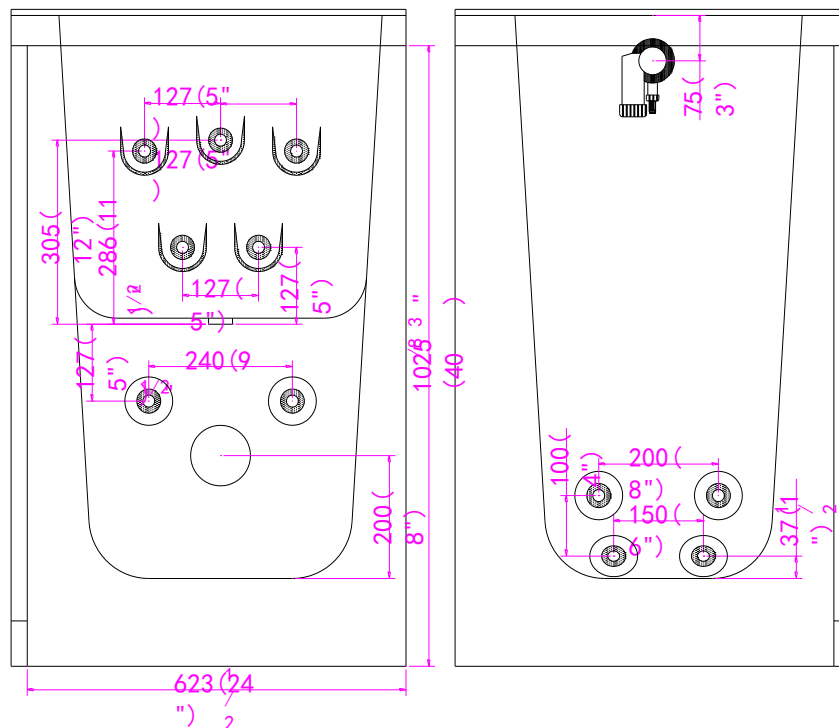
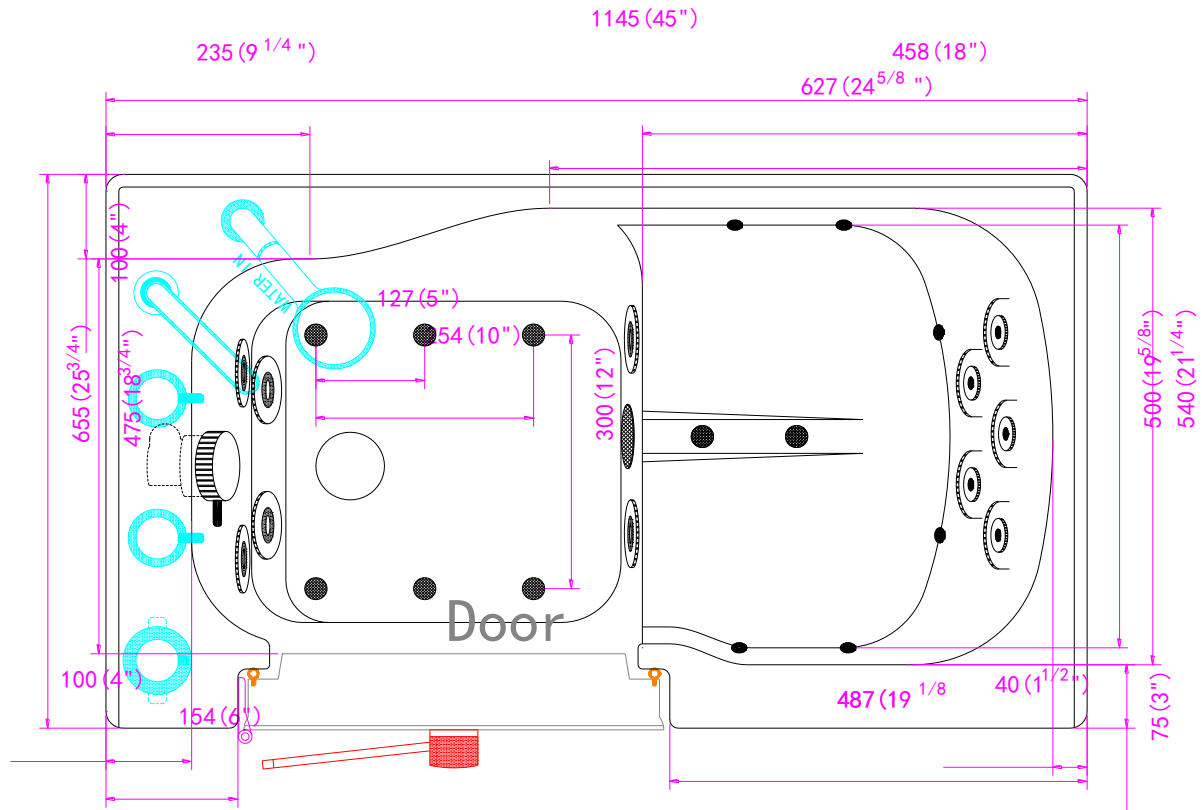
Optional Equipment

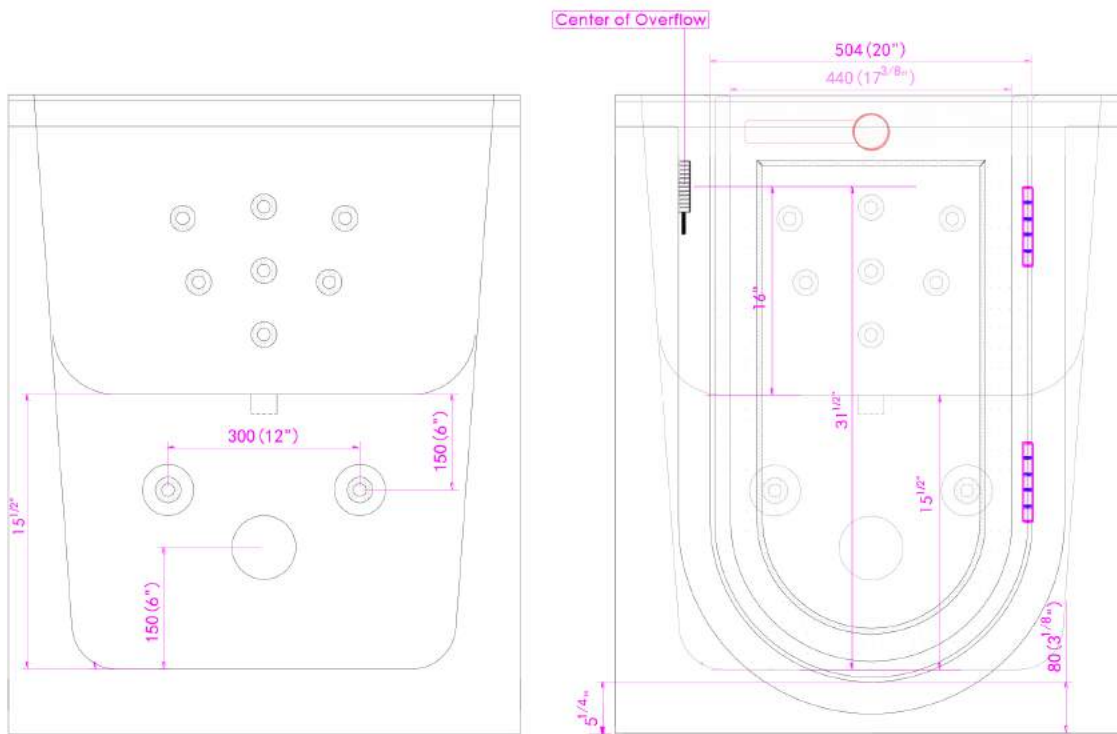
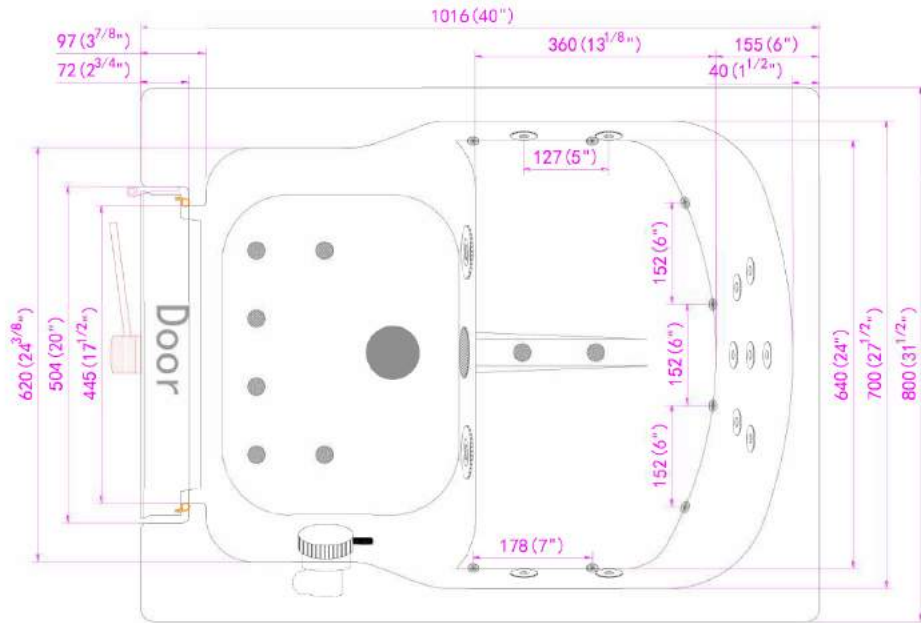
- MicroBubble Therapy System 10AMP 1200W
 - 1HP Pump
 - Pressure Vessel
 - On/Off Push Control
 - Agitator Valve
- Heated Seat and Backrest 4AMP 470W
- LED Chromatherapy Light .04AMP
- Aromatherapy
- On/Off Push Controls or Digital Controller
- Five-Piece Thermostatic Control Valve Faucet Set
 - 7-8 GPM (average) @ 60 PSI at ideal in home plumbing conditions
 - Two (2) 2-way diverters with extension handles
 - Pull out, hand held, chrome plated hand shower with 5 ft. retractable stainless steel braided hose
 - 1 year warranty
- Five-Piece Fast Fill Huntington Brass Faucet Set
 - 14-18 GPM (average) @ 60 PSI at ideal in home plumbing conditions
 - Pull out, hand held, chrome plated hand shower with 5 ft. retractable stainless steel braided hose
 - Two (2) x 5' long stainless steel braided 1/2" water supply lines with 3/4" IPS connectors
 - 5 year warranty visit www.huntingtonbrass.com/warranty for full warranty information
- Two-Piece Fast Fill Huntington Brass Faucet Set
 - 14-18 GPM (average) @ 60 PSI at ideal in home plumbing conditions
 - Push diverter mechanism for hand mixer
 - 5 year warranty visit www.huntingtonbrass.com/warranty for full warranty information

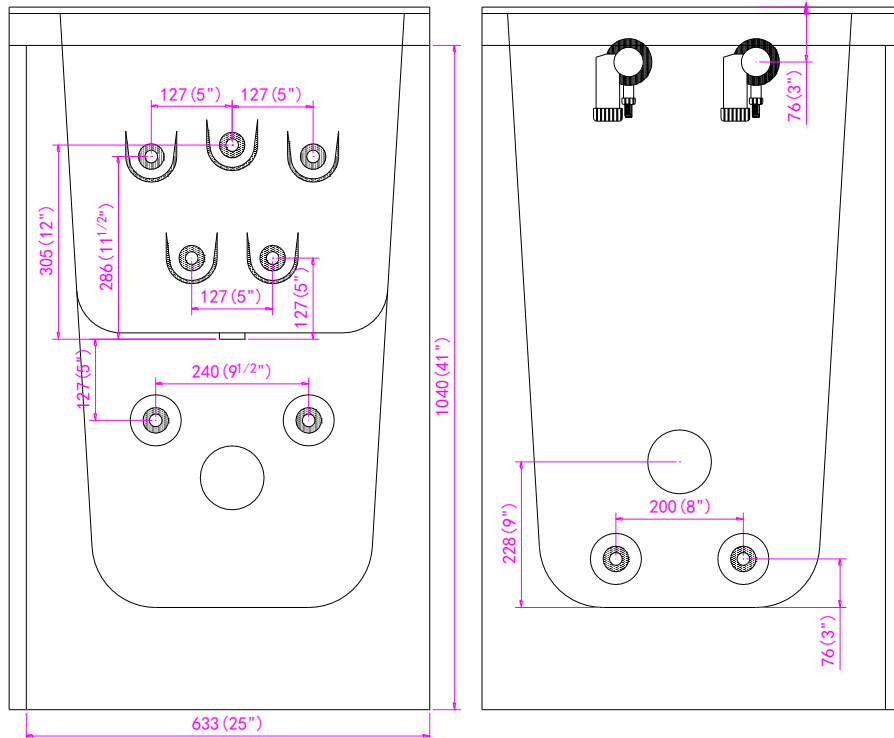
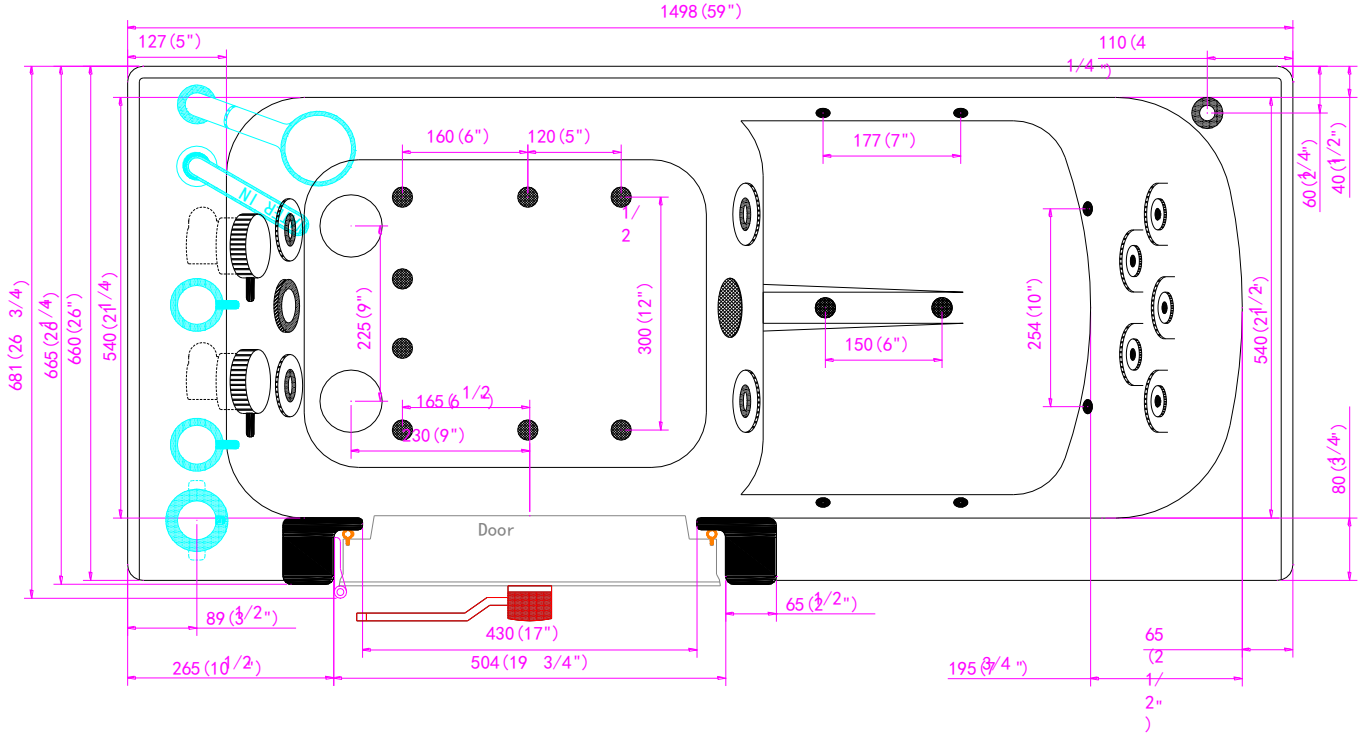
Electrical Requirements

Please refer to Technical Diagrams for detailed electrical requirements

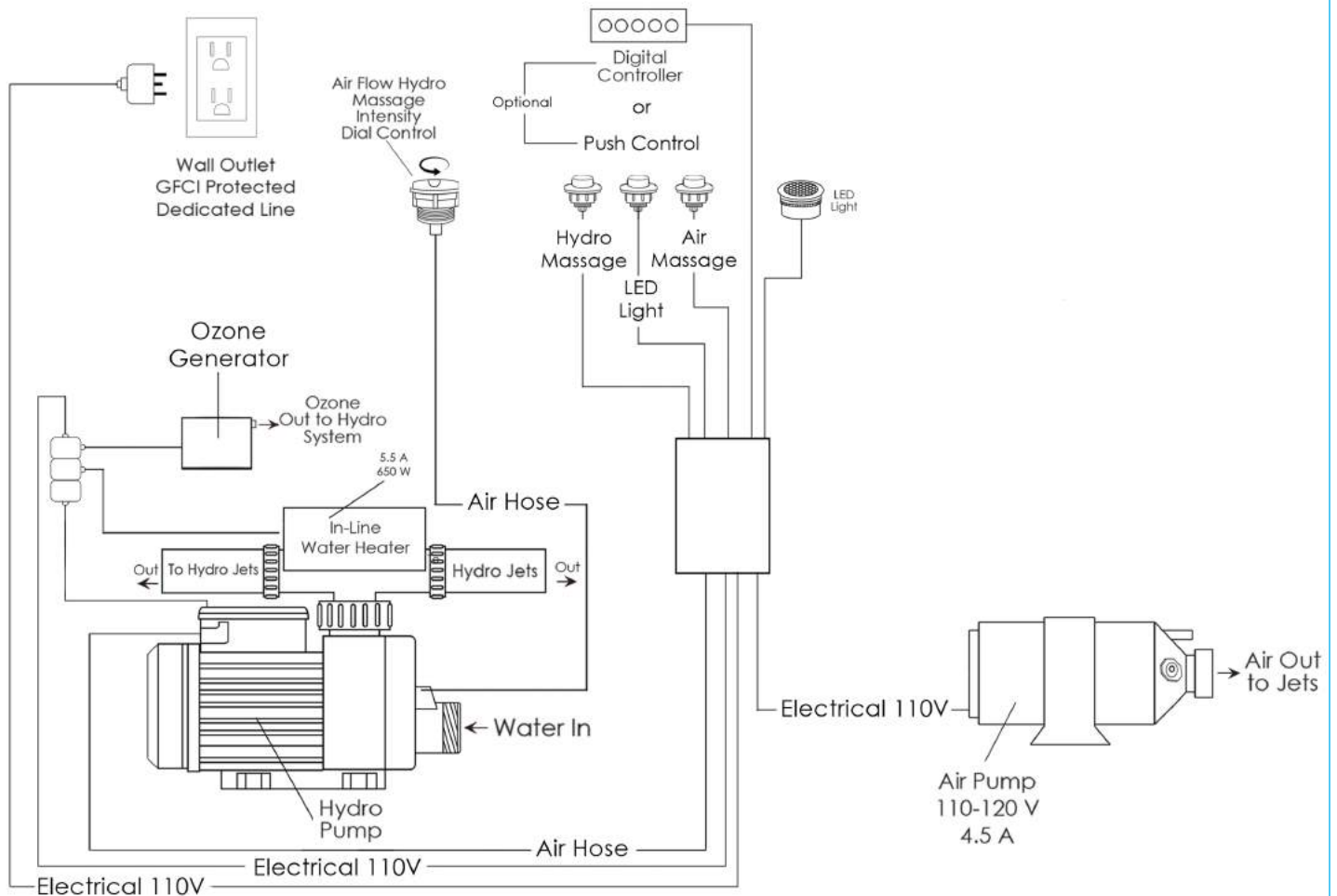








Hydro Massage + Air Massage
(Dual)



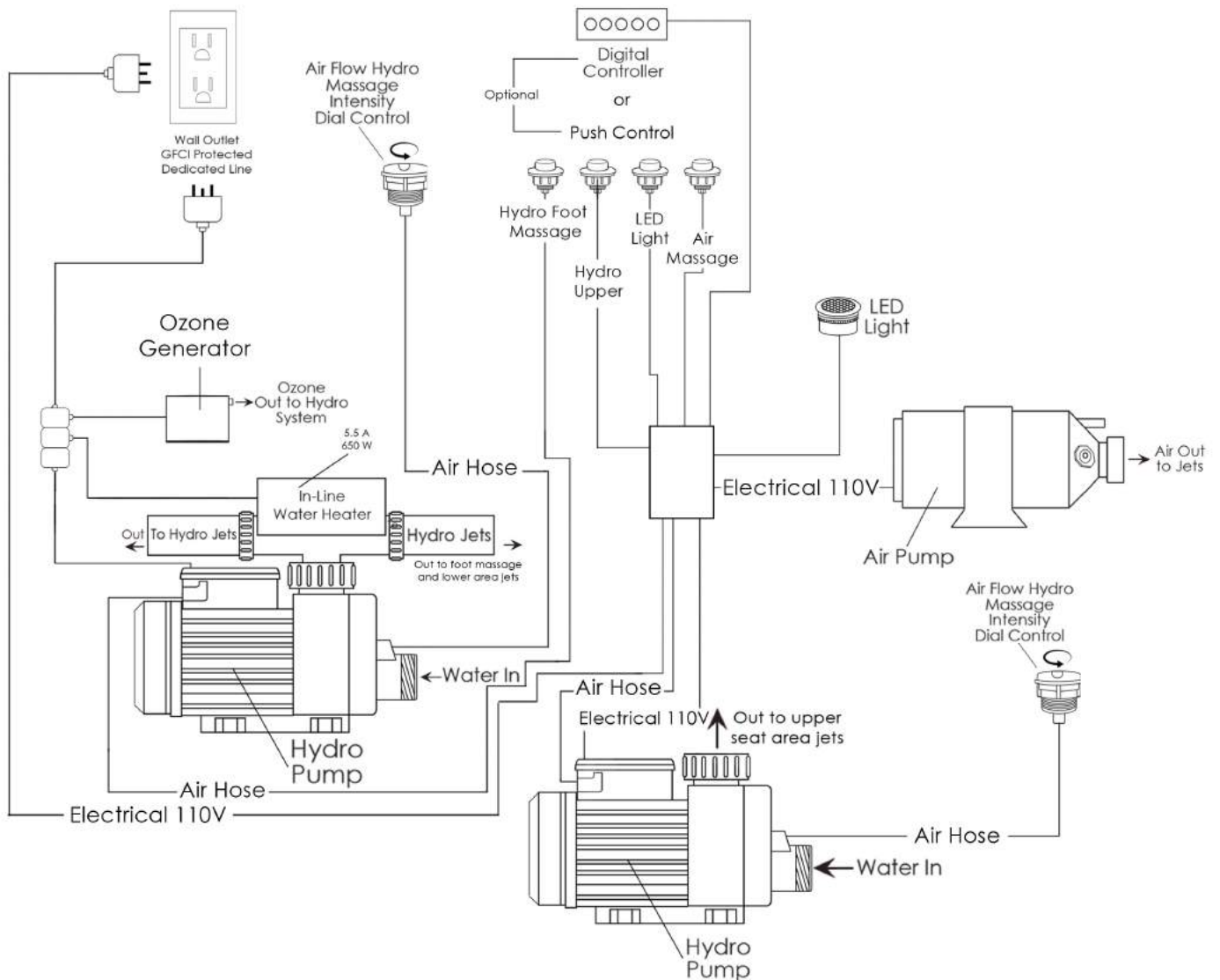
Package Jetting Information:

- 1. Hydro Massage System** 5AMP 600W
 - Refer to technical drawing for jet count
 - Hydro Massage Air Flow Intensity Control
 - In-line water heater 5.5AMP 650W
 - Ozone Sterilization
- 2. Air Massage System** 4.5AMP 486W
 - Refer to technical drawing for jet count
 - Variable speed pump with autopurge

Electrical Requirements:

One (1) dedicated 120V electrical line with a 20AMP GFCI standard three prong outlet is required

Hydro Massage + Air Massage + Hydro Foot & Calf Massage



Package Jetting Information:

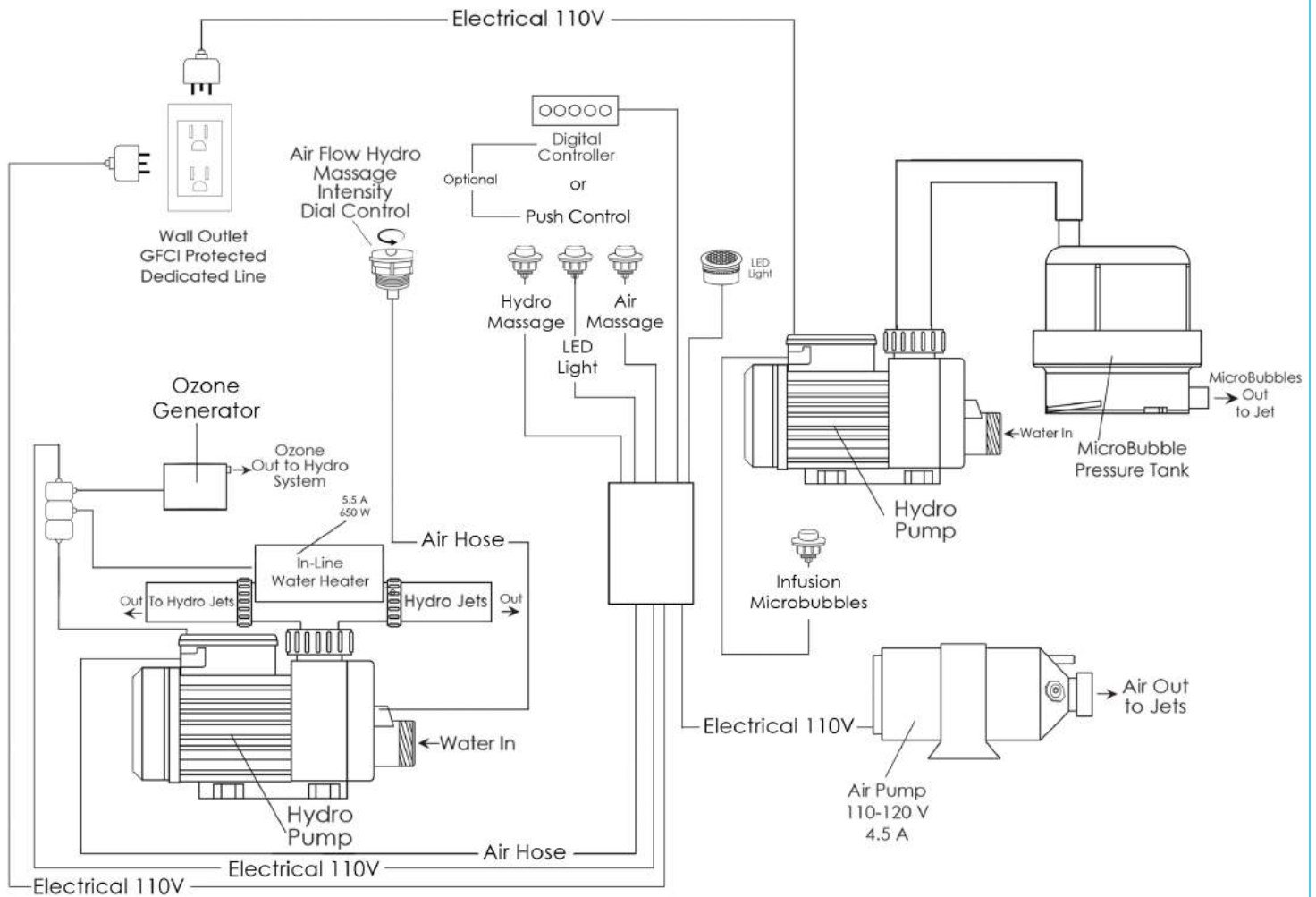
- 1. Hydro Foot Massage System** 5AMP 600W
 - Refer to technical drawing for jet count
 - Hydro Massage Air Flow Intensity Control
 - In-line water heater 5.5AMP 650W
 - Ozone Sterilization
- 2. Air Massage System** 4.5AMP 486W
 - Refer to technical drawing for jet count
 - Variable speed pump with autopurge

- 3. Hydro Massage System** 5AMP 600W
 - Refer to technical drawing for jet count
 - Hydro Massage Air Flow Intensity Control

Electrical Requirements:

Two (2) dedicated 120V electrical lines with 20AMP GFCI standard three prong outlets are required

Hydro Massage + Air Massage + Infusion Microbubble Therapy



Package Jetting Information:

1. Hydro Massage System 5AMP 600W

- Refer to technical drawing for jet count
- Hydro Massage Air Flow Intensity Control
- In-line water heater 5.5AMP 650W
- Ozone Sterilization

2. Air Massage System 4.5AMP 486W

- Refer to technical drawing for jet count
- Variable speed pump with autopurge

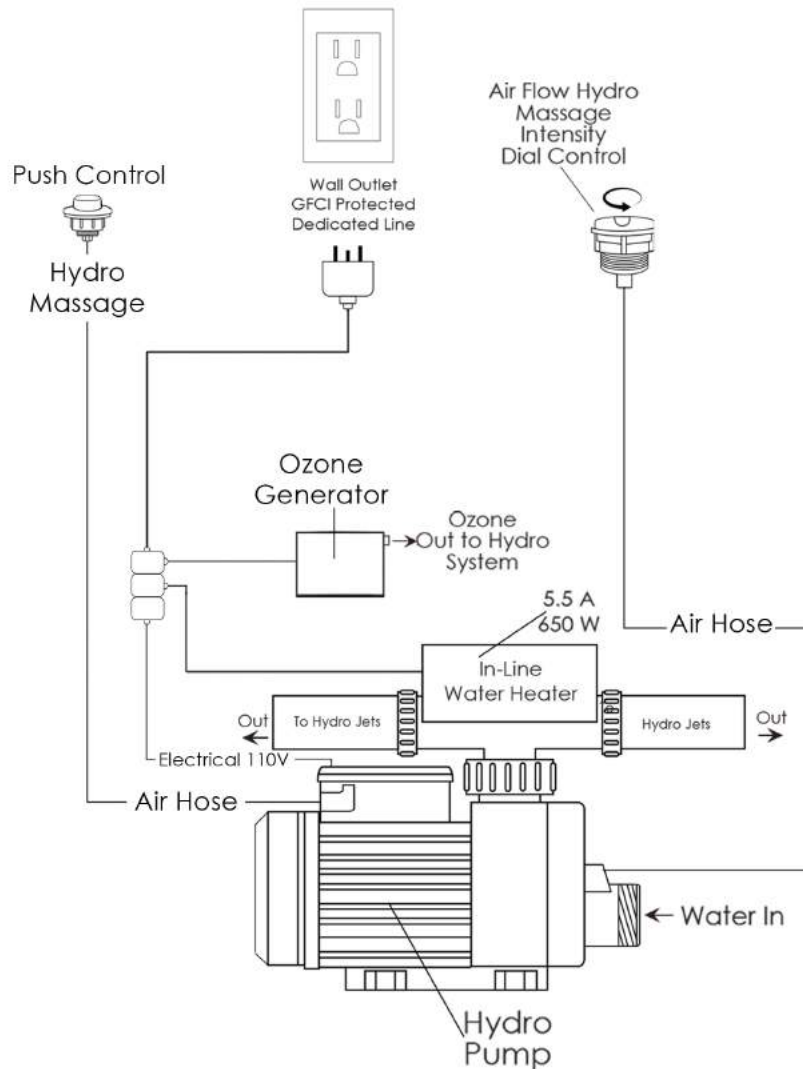
3. MicroBubble Therapy System 10AMP 1200W

- 1HP Pump
- Pressure Vessel
- Air Switch and one (1) jet
- Agitator Valve

Electrical Requirements:

Two (2) dedicated 120V electrical lines with 20AMP GFCI standard three prong outlets are required

Hydro Massage



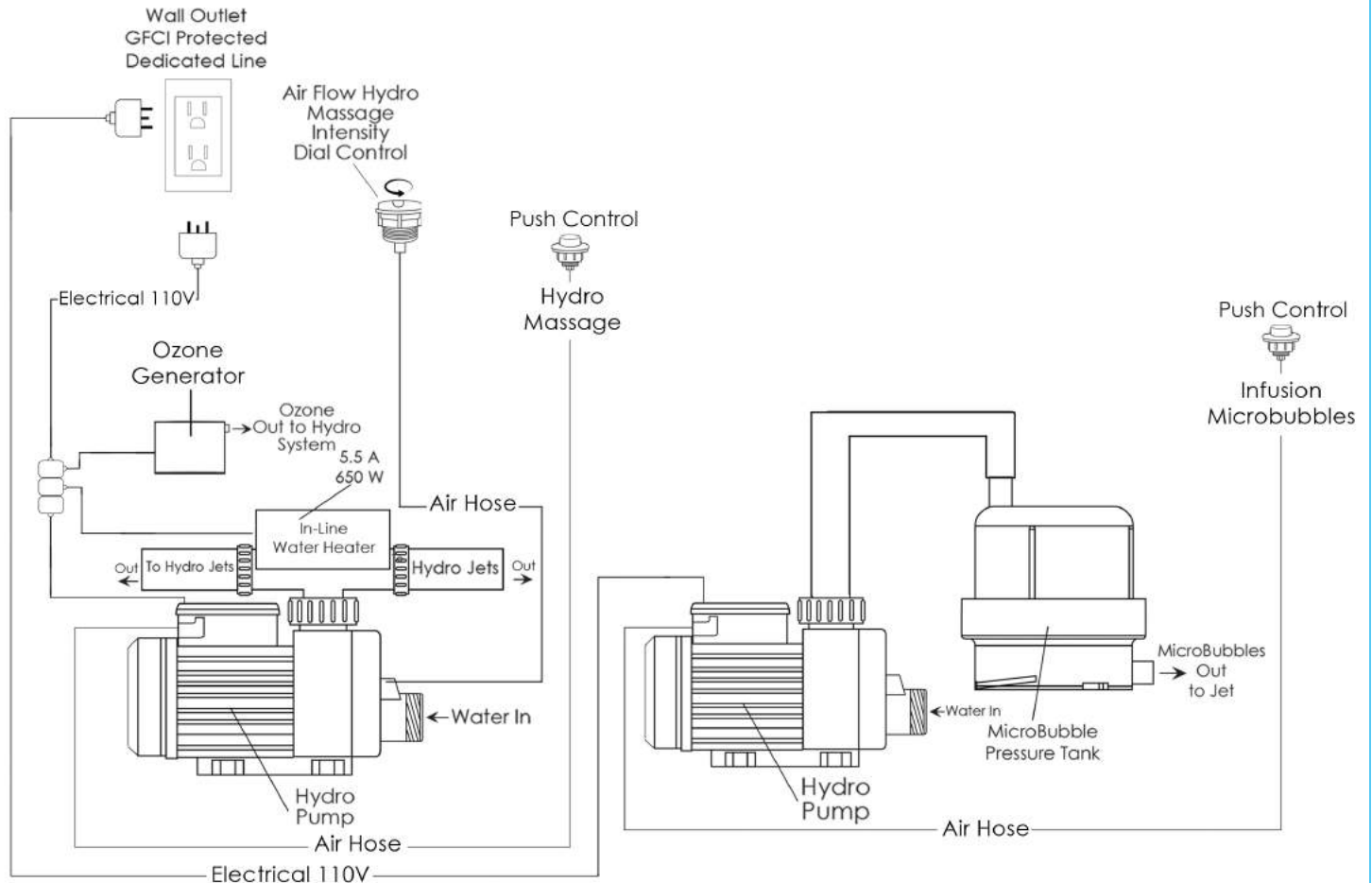
Package Jetting Information:

- 1. Hydro Foot Massage System** 5AMP 600W
- Refer to technical drawing for jet count
 - Hydro Massage Air Flow Intensity Control
 - In-line water heater 5.5AMP 650W
 - Ozone Sterilization

Electrical Requirements:

One (1) dedicated 120V electrical line with a 20AMP GFCI standard three prong outlet is required

Hydro Massage + Infusion Microbubble Therapy



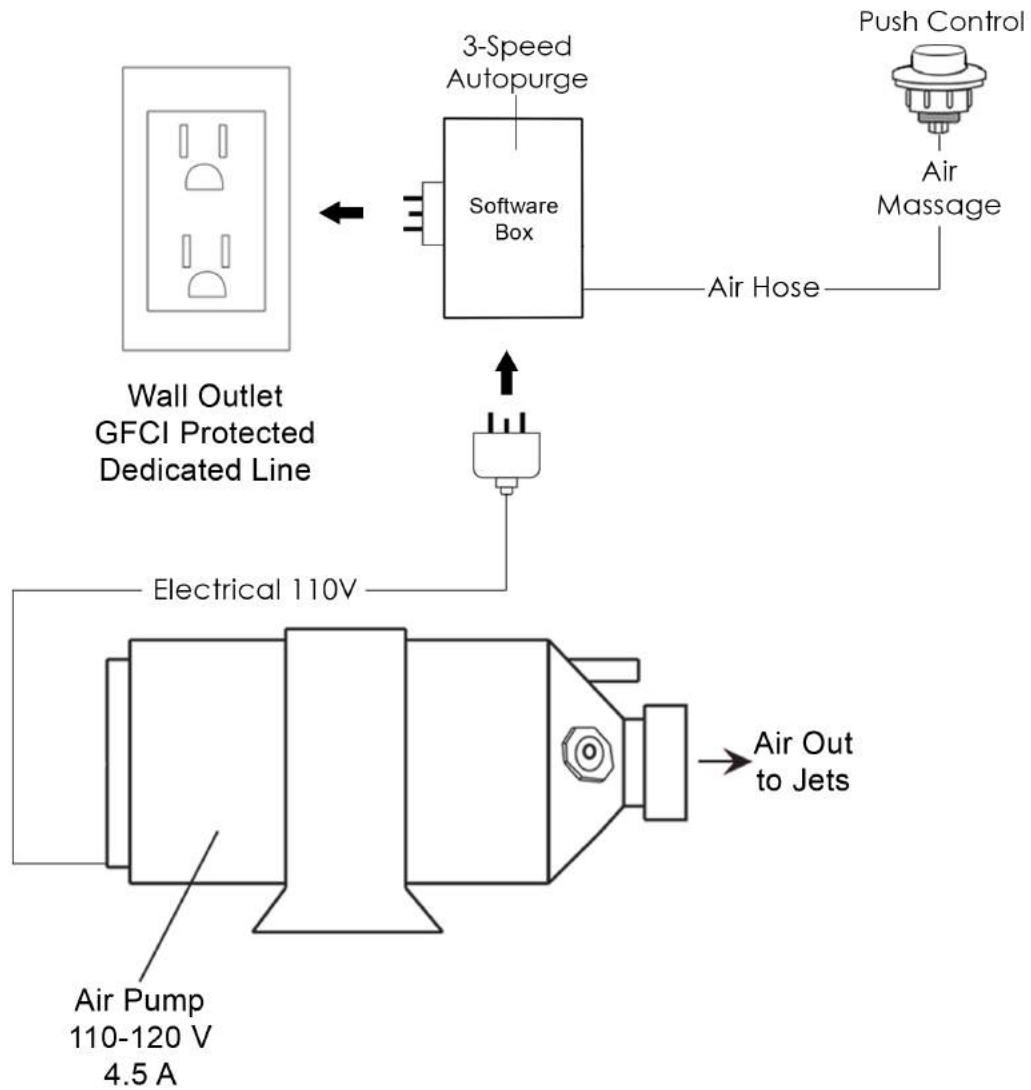
Package Jetting Information:

- 1. Hydro Massage System 5AMP 600W**
 - Refer to technical drawing for jet count
 - Hydro Massage Air Flow Intensity Control
 - In-line water heater 5.5AMP 650W
 - Ozone Sterilization
- 2. MicroBubble Therapy System 10AMP 1200W**
 - 1HP Pump
 - Pressure Vessel
 - Air Switch and one (1) jet
 - Agitator Valve

Electrical Requirements:

One (1) dedicated 120V electrical line with a 20AMP GFCI standard three prong outlet is required

Air Massage



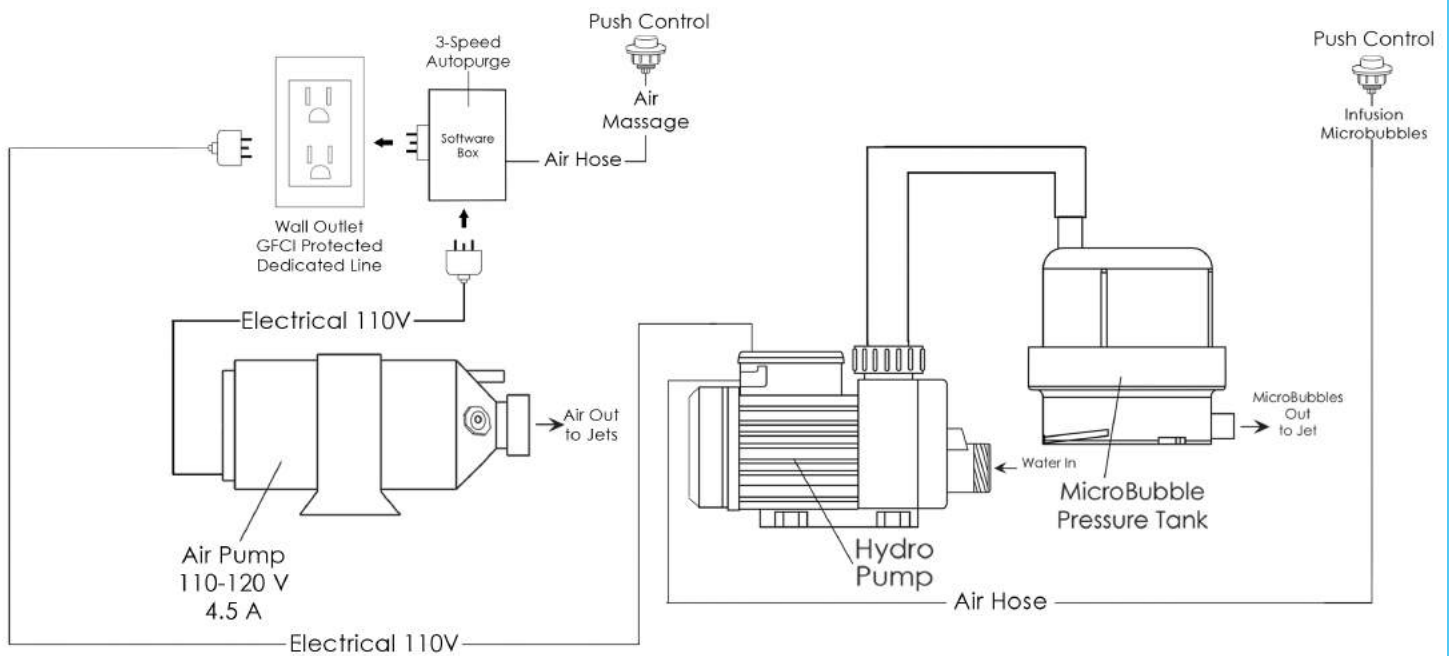
Package Jetting Information:

- 1. Air Massage System** 4.5AMP 486W
- Refer to technical drawing for jet count
 - Variable speed pump with autopurge

Electrical Requirements:

One (1) dedicated 120V electrical line with a 20AMP GFCI standard three prong outlet is required

Air Massage + Infusion Microbubble Therapy



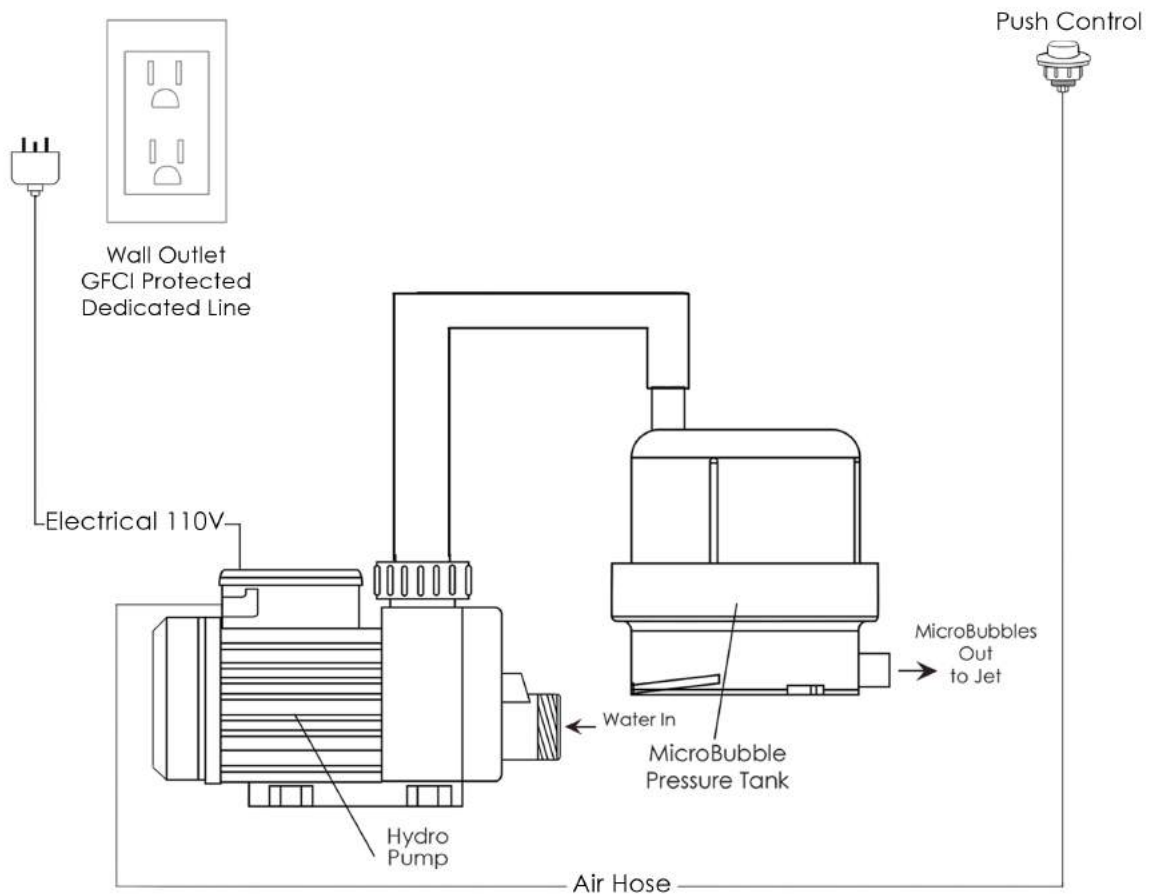
Package Jetting Information:

- 1. Air Massage System** 4.5AMP 486W
 - Refer to technical drawing for jet count
 - Variable speed pump with autopurge
- 2. MicroBubble Therapy System** 10AMP 1200W
 - 1HP Pump
 - Pressure Vessel
 - Air Switch and one (1) jet
 - Agitator Valve

Electrical Requirements:

One (1) dedicated 120V electrical line with a 20AMP GFCI standard three prong outlet is required

Infusion Microbubble Therapy



Package Jetting Information:

1. MicroBubble Therapy System 10AMP 1200W

- 1HP Pump
- Pressure Vessel
- Air Switch and one (1) jet
- Agitator Valve

Electrical Requirements:

One (1) dedicated 120V electrical line with a 20AMP GFCI standard three prong outlet is required

Thermostatic Control Valve 5 Piece Faucet Set



Color/Finish:

- Chrome

Features:

- Adjustable water temperature preset
- No water temp fluctuation at the faucet
- Prevents scalding and thermal shock
- Standard on Walk In Tubs with an Ella 5 Piece Faucet Set
- 8 GPM (Average) @ 60 PSI at ideal in-home plumbing conditions
- 1 Year Warranty

Huntington Brass Fast Fill 5 Piece Faucet Set



Color/Finish:

- Chrome

Features:

- Jewel Arched Solid Brass Spout
- 3/4" Valve, 3/4" Ports
- Ceramic Disc Cartridges
- Quick Connect Spout Installation
- NPS Connections
- 18 GPM (Average) @ 60 PSI at ideal in-home plumbing conditions
- 5 Year Warranty (visit www.huntingtonbrass.com/warranty for more information)

Huntington Brass Fast Fill 2 Piece Faucet Set



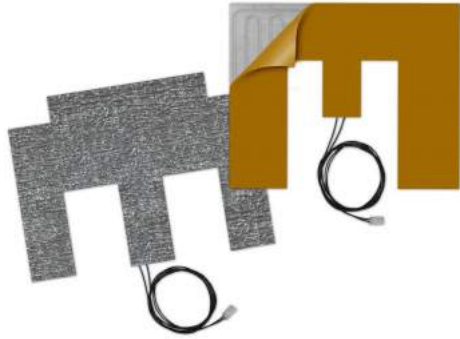
Color/Finish:

- Chrome

Features:

- Push Diverter Mechanism
- 18 GPM (Average) @ 60 PSI at ideal in-home plumbing conditions
- 5 Year Warranty (visit www.huntingtonbrass.com/warranty for more information)

Seat Heater



On/Off Button



Backrest Heater



Electrical Requirements:

Voltage:
Input - 120V, 4AMP, 470W



5pc Roman Tub Filler HB9937P

Description

- 8" - 16" Roman Tub Filler
- Solid brass spout
- ceramic disc cartridges
- Quick connect spout installation
- NPS connections
- 18 GPM (average) @ 60 PSI

Standards

- ASME A112.18.1 Compliant
- Listed IAPMO / UPC & cUPC
- ADA Accessibility Guidelines for Buildings and Facilities - 4.27.4 Controls and Mechanisms

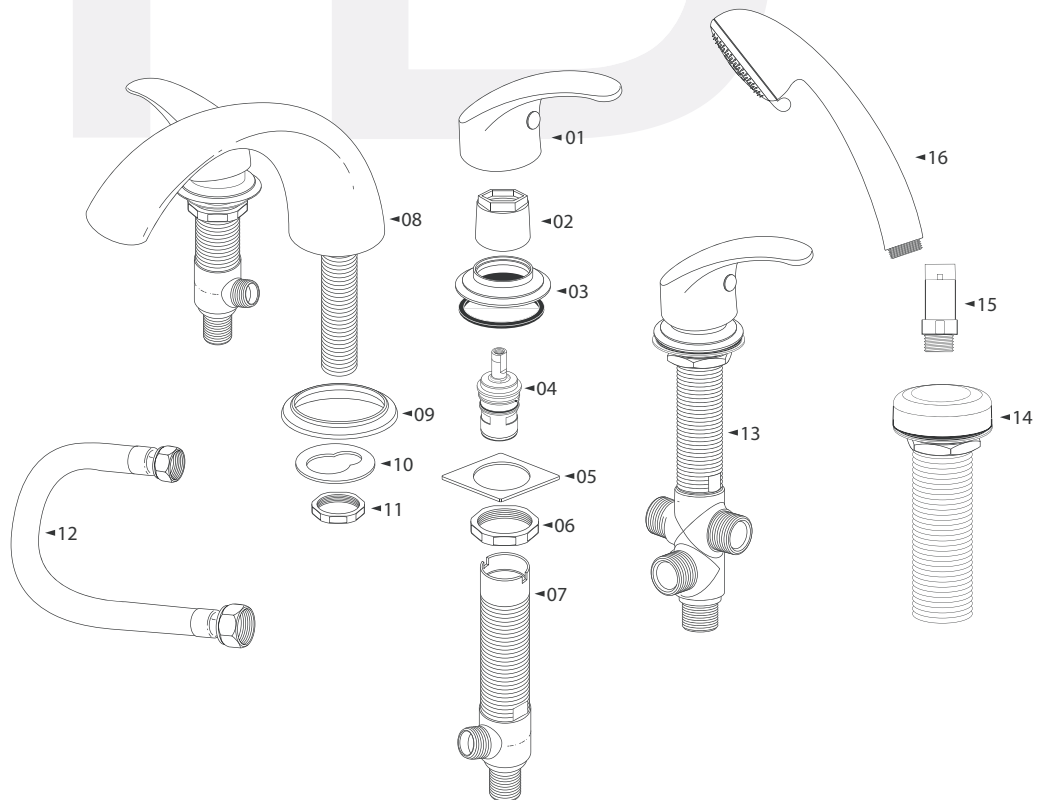


Colors / Finishes

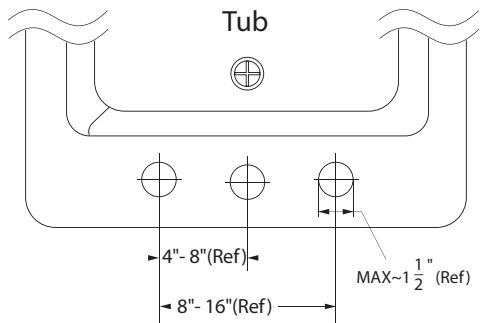
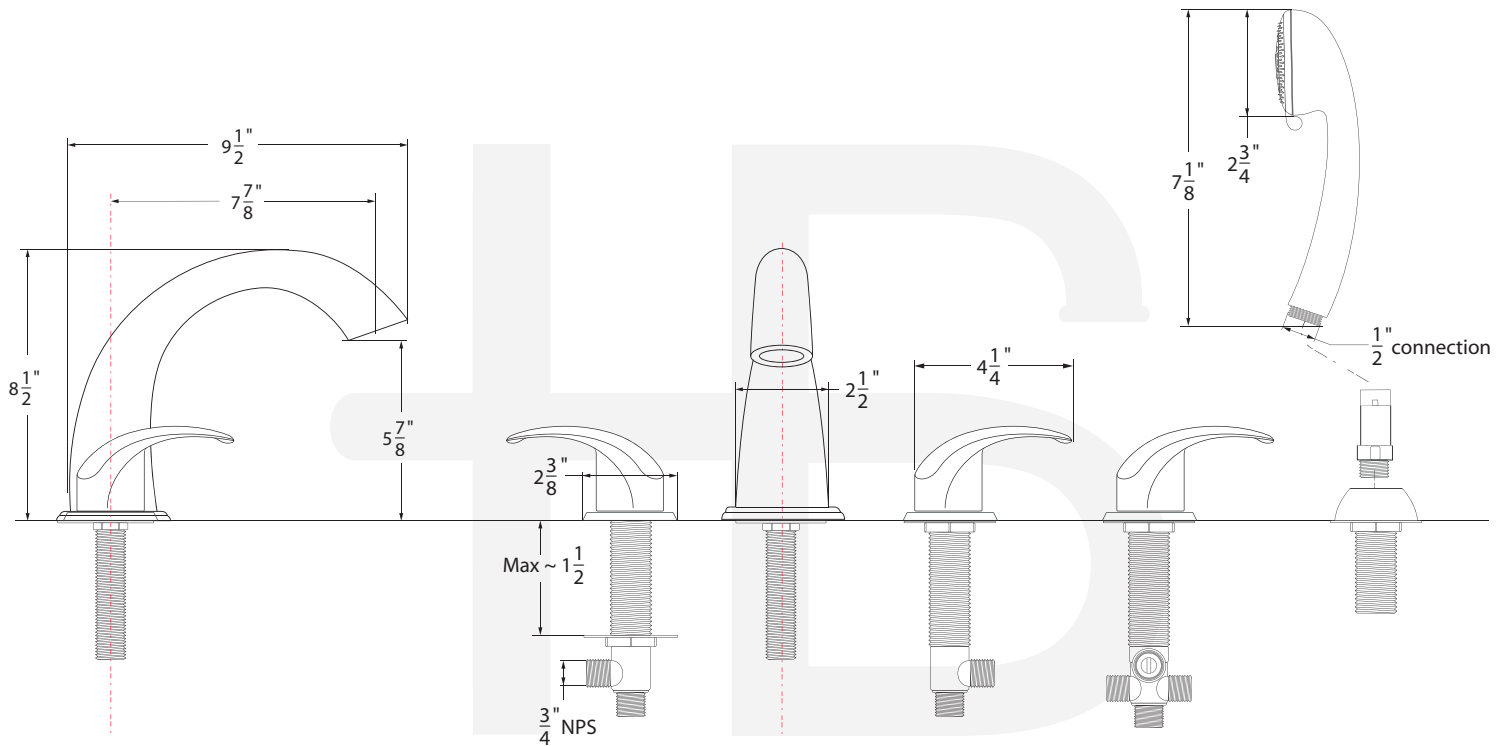
- C - Chrome
- NK - Satin Nickel

BREAK DOWN Component Parts List

#	PART NAME	QTY
1	LEVER HANDLE	3
2	CARTRIDGE RETAINING NUTS	2
3	FLANGE STEP W/ RUBBER RING	2
4	HOT AND COLD CARTRIDGES	1 ea.
5	METAL WASHER	2
6	LOCK NUT	2
7	HOT AND COLD VALVES	1 ea.
8	SPOUT W/ SHANK	1
9	SPOUT RING	1
10	METAL WASHER	1
11	LOCK NUT	1
12	HOSE	2
13	TRANSFER VALVE SET	1
14	HAND SHOWER HOLDER ASSEMBLY	1
15	45 DEGREE ELBOW	1
16	HAND SHOWER	1



SPECIFIED MODEL



Item Number	Type	Date
HB9937P	5-pc Roman Tub Filler	05/04/2012

85720-01, 85720-72 - Roman Tub Filler

Description

- Two piece roman tub filler faucet
- Push diverter mechanism
- Multi-setting handshower
- Standard 3/4" fittings
- 18 GPM @ 60 PSI

Standards

- Complies with IAPMO UPC/cUPC
- ADA Accessibility Guidelines for Buildings and Facilities - 4.27.4 Controls and Mechanisms



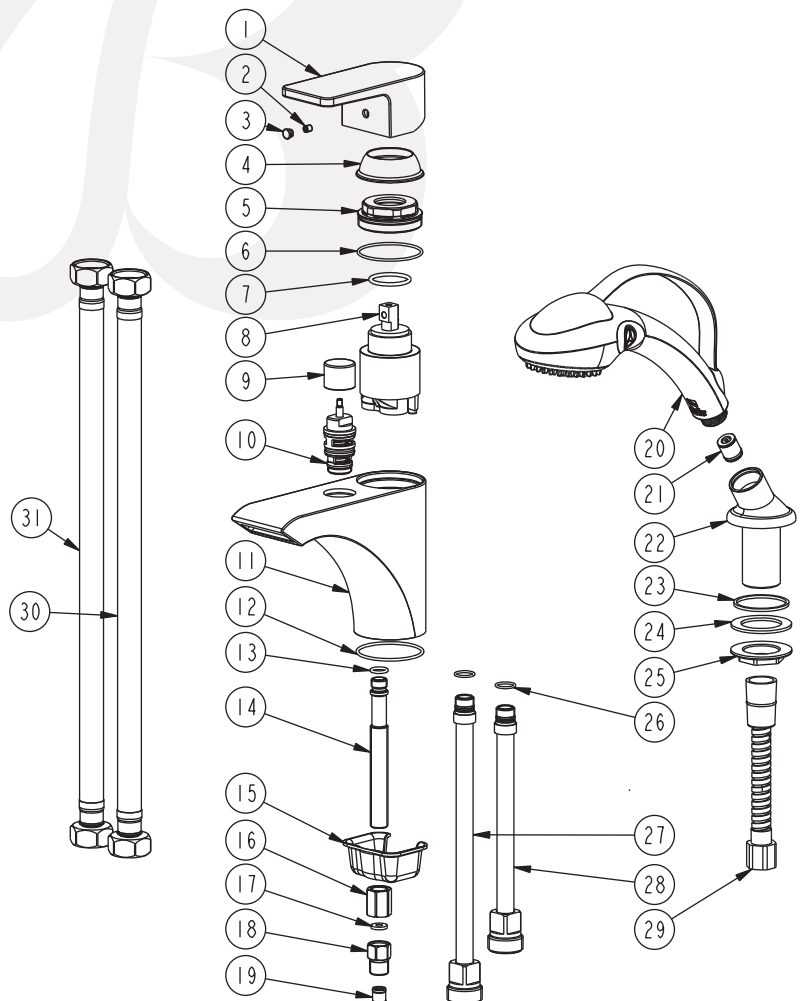
• 85720-01

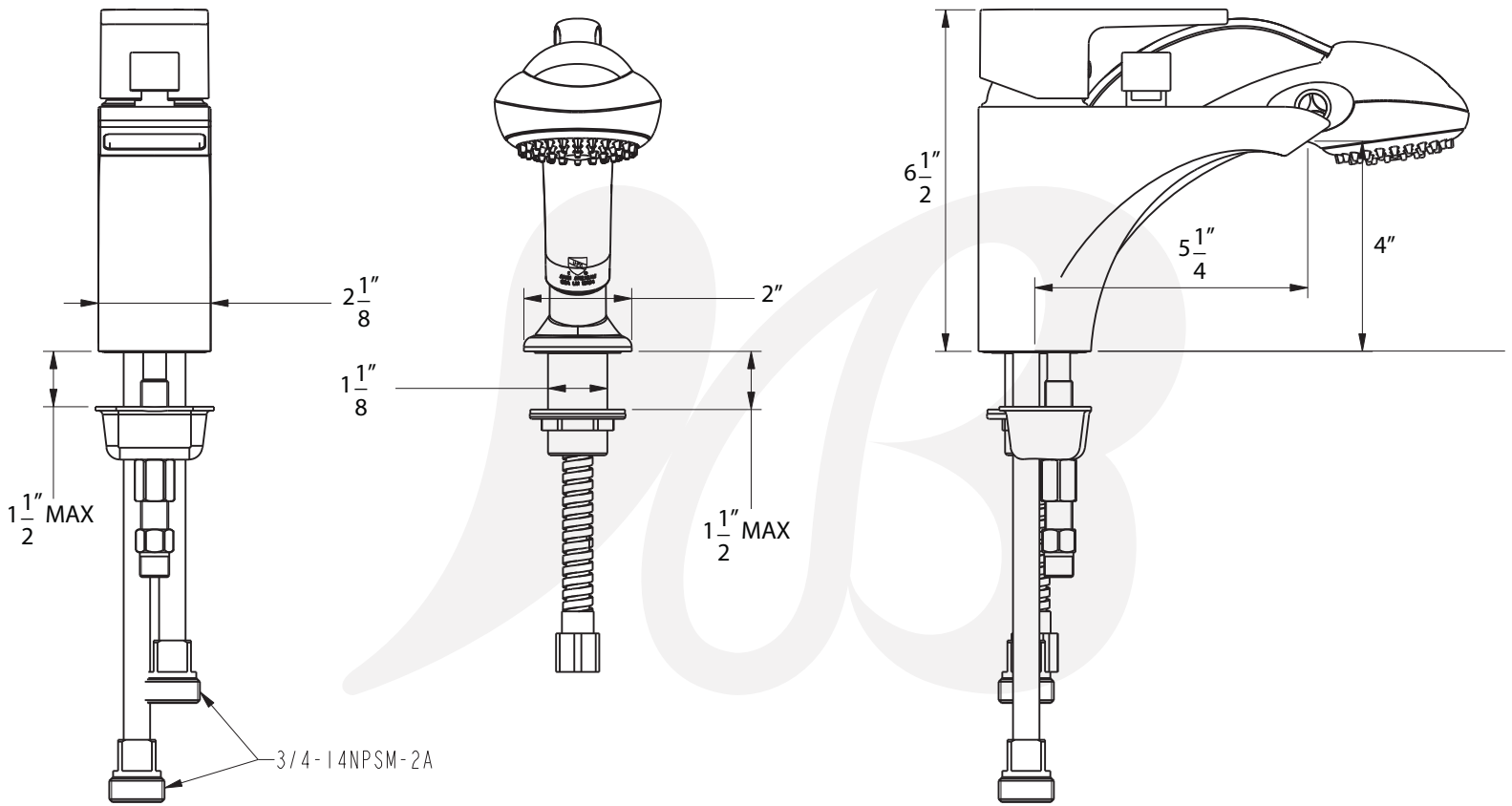
Colors / Finishes

- 85720-01 - Chrome
- 85720-72 - PVD Satin Nickel

**BREAK DOWN
Component Parts List**

31	ATBP0392-1R
30	ATBP0392-ID
29	ATBP0070
28	ATBP0375
27	ATBP0374
26	CTRR0117
25	CTNB0016
24	CTWR0061
23	CTWR0060
22	CTDB0042
21	ATBA0212
20	ATBE0201
19	ATBA0100
18	CTNB0357
17	CTWR0377
16	CTNB0067
15	CTLT0023
14	CTPN0050
13	CTRR0048
12	CTRR0085
11	CTYB0715
10	ATBA0261
9	CTHB0289
8	ATBA0260
7	CTRR0050
6	CTRR0060
5	CTKB0146
4	CTCB0774
3	CTCP0072
2	CTST0117
1	CTHZ0600
ITEM	PART NUMBER





Item Number	Type	Date
85720-01, 85720-72	Roman Tub Filler	5-3-2016

Model Number _____

Warranty Information:

Huntington Brass Faucets and parts are guaranteed to be free from defects in material & workmanship, leakage and drip-free during the period of normal use to the original consumer / purchaser (for residential home use) as long as the original purchaser owns their home. All "washerless" cartridges carry a 10 year limited lifetime warranty, and all "ceramic disk" cartridges carry a limited lifetime warranty. All other purchasers (including purchasers for industrial, commercial, and business related use) are warranted for a period of 5 years from the original date of purchase. A warranty period of 5 years is extended for all shower heads. The finish warranty for faucets is as follows: All plated finishes are guaranteed for as long as the original homeowner owns their home. The use of chemical cleaners, abrasive cleansers, cloths or sponges, acids, polishes or strippers, or any abnormal abuse of the product will void this warranty.

The Following applies to ALL WARRANTIES:

Proof of purchase (original sales receipt) from the original consumer purchaser must be made available to Huntington Brass for all warranty claims. Huntington Brass will replace, FREE OF CHARGE, during the "warranty period", any part which has proven defective in material and /or workmanship under the conditions of normal use. Replacement of parts can be obtained from your local dealer or by writing our corporate address listed below together with a copy of the original receipt. ALL TRANSPORTATION CHARGES will be PREPAID. This warranty is extensive in that it covers replacement of defective parts and finishes only. LABOR CHARGES AND/OR DAMAGES INCURRED DURING INSTALLATION, REPAIR OR REPLACEMENT CHARGES, ARE EXCLUDED FROM THIS WARRANTY. THE USE OF BATHROOM CLEANERS, TILE CLEANERS, AND /OR ANY ABRASIVE MATERIALS, UN APPROVED CHEMICALS FOR CLEANING PURPOSES WILL VOID THIS WARRANTY. Huntington Brass will not be responsible for any indirect, incidental or consequential damages, losses, injury or costs of any nature relating to the product. Some states do not allow the exclusion or limitation of incidental or consequential damages, so the above limitations or exclusion may not apply to you. This warranty gives you specific legal rights, and you may also have other rights, which may vary from state to state. To make a warranty claim and request replacement parts, simply write to our corporate office on the address listed below.

RGA- Returns Goods Authorizations:

No returns will be accepted without a Return Goods Authorization (RGA) number. To receive an RGA number, you must provide the item number, quantity of items being returned, and a detailed reason for the return. The RGA number must appear on the outside of each carton being returned, for verification of receipt. Authorized returns may be subject to a minimum of 20% handling / restocking surcharge depending on the condition of the returned products, and for what reason they are being returned. ALL PRODUCTS MUST BE "DOUBLE CARTONED", PACKAGED PROPERLY, AND SHIPPED IN APPROVED SHIPPING CARTONS TO AVOID SHIPPING DAMAGES. Products returned in un-sellable condition or without original packaging will not be credited. Defective product(s) will be either repaired or replaced free of charge per our warranty conditions. No returns will be accepted for all special finish items unless defective. No returns will be accepted for discontinued items.

Other Warranty Conditions:

The Huntington Brass warranty does not cover product failure caused by abusive treatment, misuse, or damage due to handling or faulty installations. The warranty does not cover shipping cost, labor cost, or any other charge for such items as installation or replacement of any faucet, vanity, countertop, vitreous china component, and other component parts, or any other expense or loss.

Please send your inquires, claims or warranty cards to:

Attn.: Product Department
11100 Dana Circle
Cypress, CA 90630
Tel : (714) 373-2788 / Fax : (714) 373-2791



Register Today !

Congratulations on purchasing a quality HUNTINGTON BRASS product. To validate your warranty, you must send in this registration card within 10 days of purchase.

Please keep the original sales receipt with the top portion of this warranty card in the event of a warranty claim.

Name: _____ Phone: () _____
First Name Last Name

Address: _____
Street Address Apartment Number

City State Zip

Model Number: _____ Date of Purchase: _____

Where did you buy his product ? _____

What prompted you to buy this product? Brand image Function Style Price Finish
 Recommendation from sales person Other, please indicate _____

Would you consider purchasing hardware / bathroom fixtures over the internet ? Yes No

Thank you for registering your product!