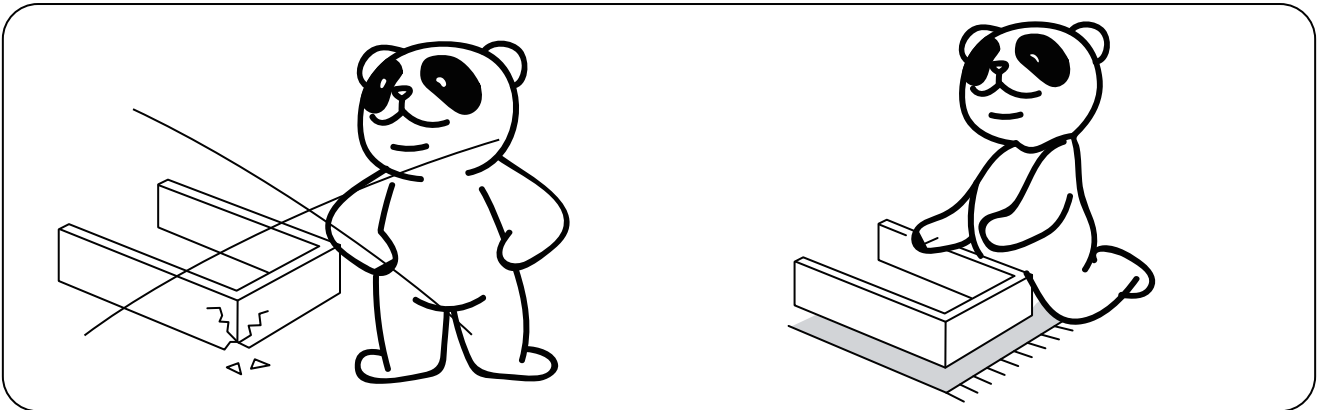
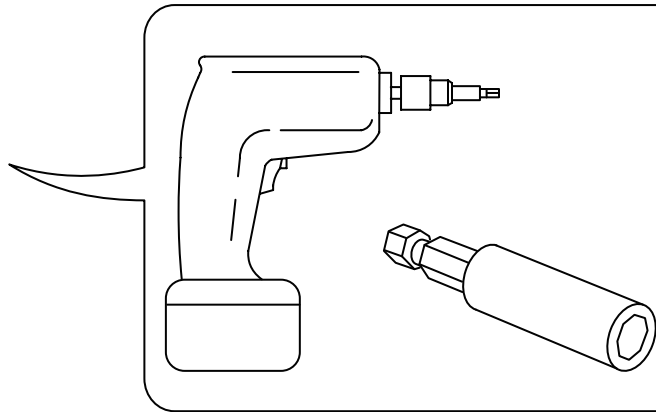
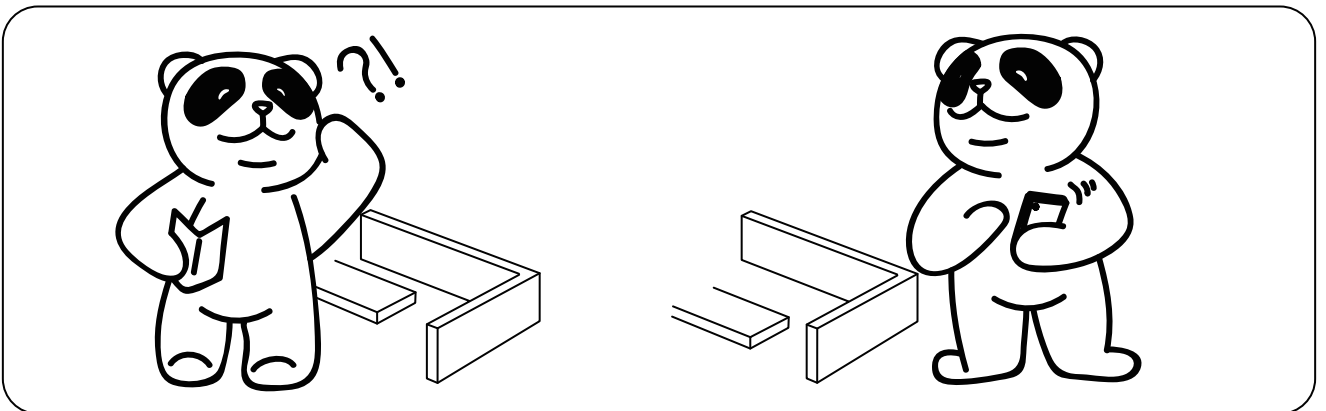


DJ504294
GJ-006-F

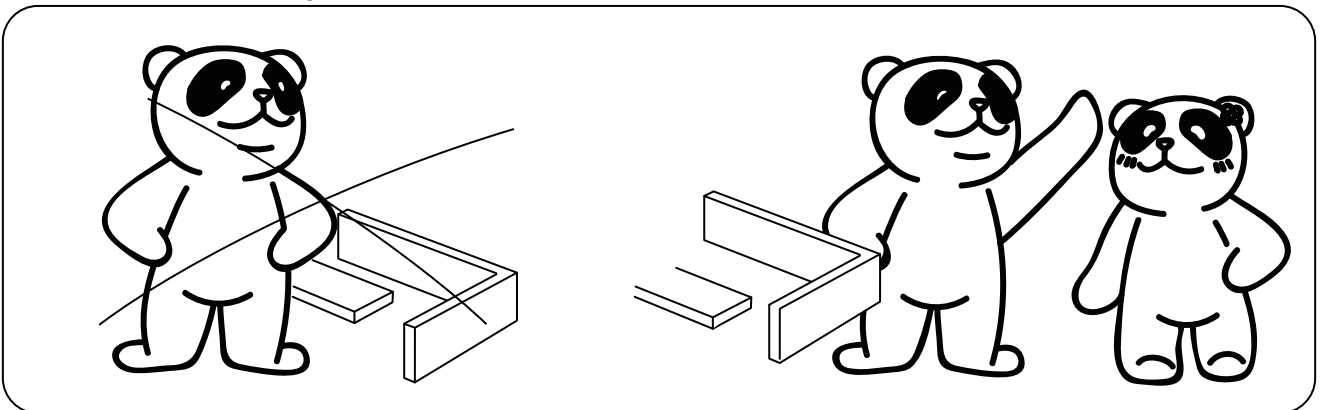
Version: 1.0



Violent installation is prohibited

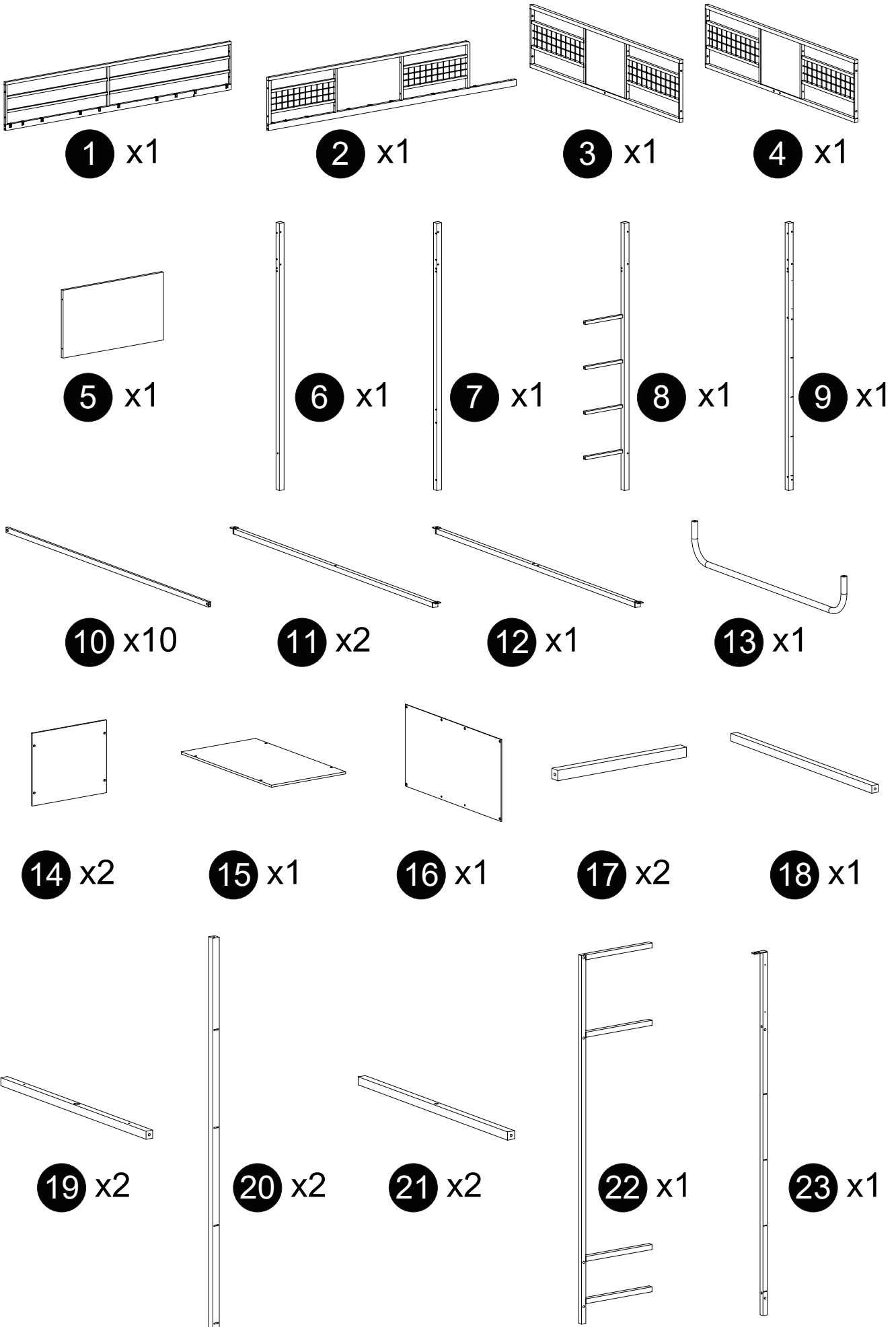


Please call if you need help

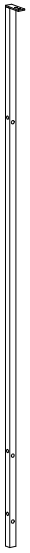


Multi-person cooperation is recommended

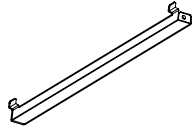
Assembly Instruction



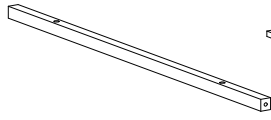
Assembly Instruction



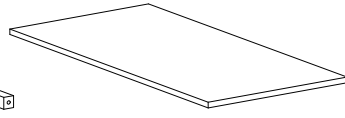
24 x1



25 x8



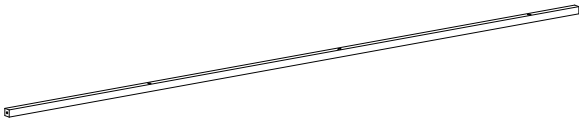
26 x2



27 x1



28 x1



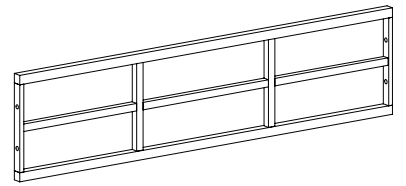
29 x1



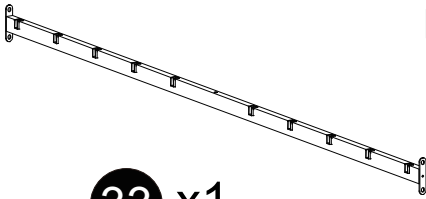
30 x1



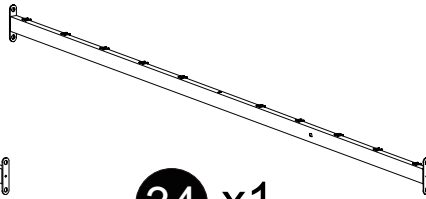
31 x1



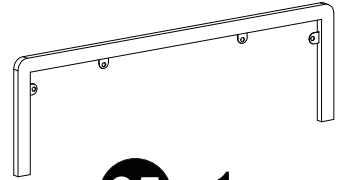
32 x1



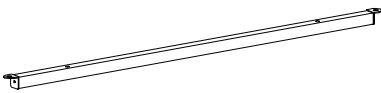
33 x1



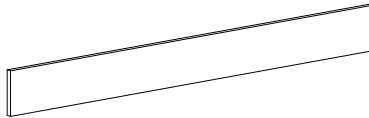
34 x1



35 x1



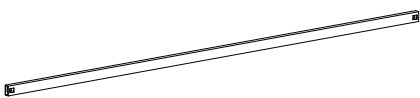
36 x1



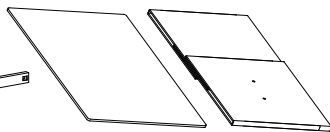
37 x1



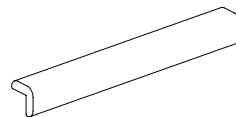
38 x2



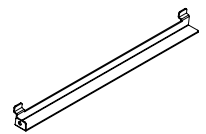
39 x10



40 x8

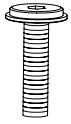


41 x4



42 x8

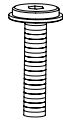
Assembly Instruction



A

M8*55

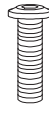
X8+1



B

M6*55

X5+1



C

M6*40

X25+2



D

M6*32

X13+1



E

M6*20

X28+3



F

M6*40

X12+1



G

M3

X1



H

M4

X2



I

M6*12

X8+1



J

M8*20

X8+1



K

M4*10

X16+1



L

M6*28

X9+1



M

M5*40

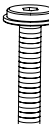
X6+1



N

M5

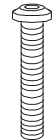
X1



O

M6*48

X3+1



P

M6*65

X2+1



Q

M6*18

X14+1



R

M6*10

X4+1



S

M8*35

X4+1



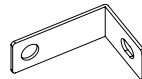
T

X3



W

X8



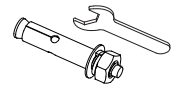
X

X2



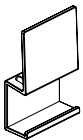
Y

X1



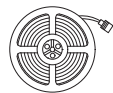
Z

X2



A1

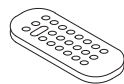
X3



light strip

A2

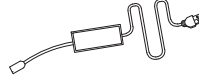
X1



Power cord

A3

X1



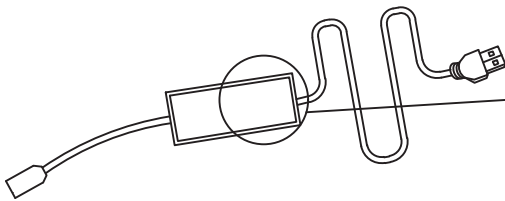
Remote control

A4

X1

Assembly Instruction

LED light strip electronic accessories list



x1

Power cord

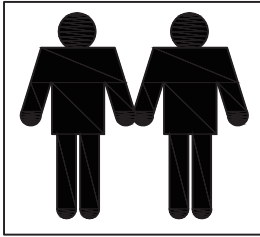


There is a two-dimensional code at the position of the power line. Scanning can download the APP for the control light

Assembly Instruction

Note:

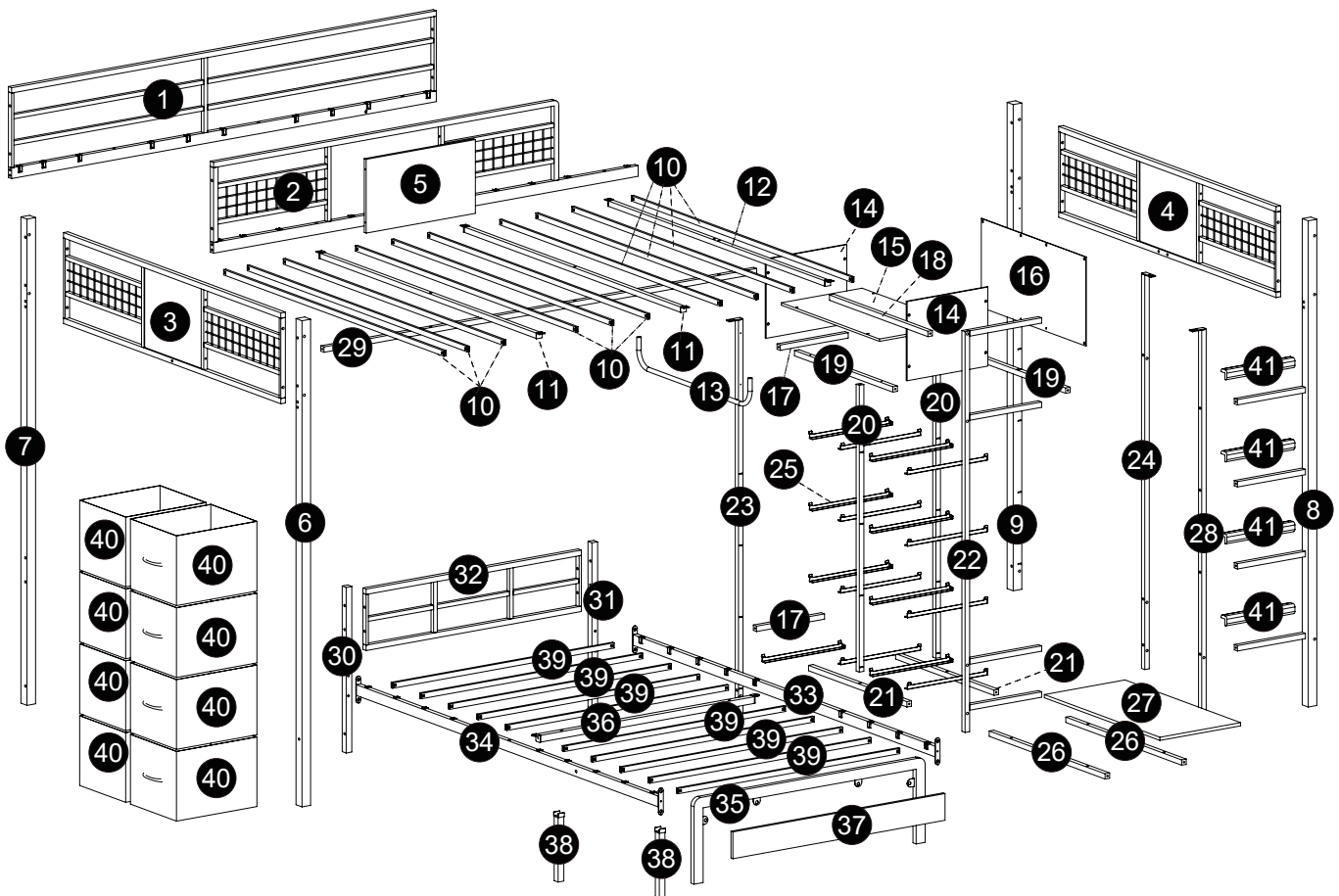
1. Should be assembled on flat ground to keep balance.
2. Before completing the installation, do not tighten the screws.



It needs at least two people to install !!



Before starting the assembly, you must read the whole manual and follow the instructions



Assembly Instruction

1

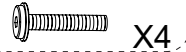


Be careful not to overtighten the screws.

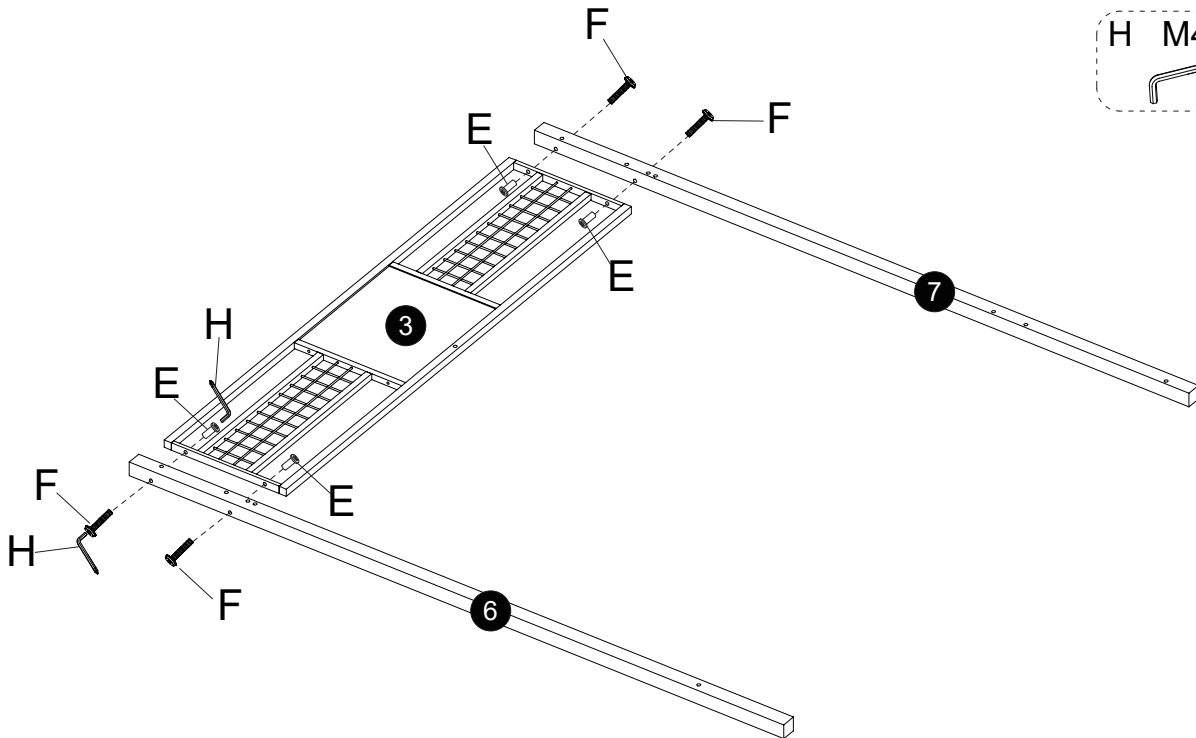
E M6*20



F M6*40



H M4

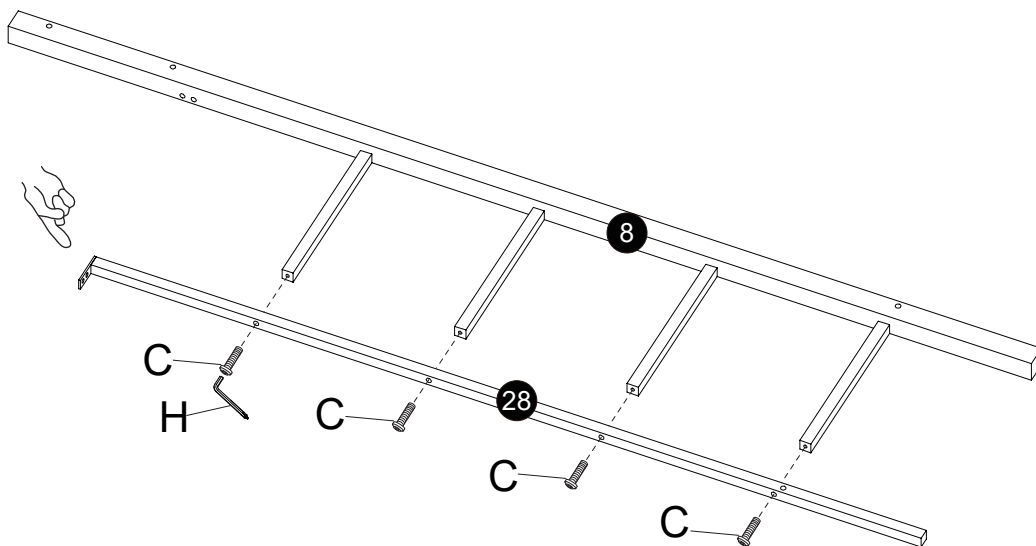


2

C M6*40



H M4



Assembly Instruction

3



Be careful not to overtighten the screws.

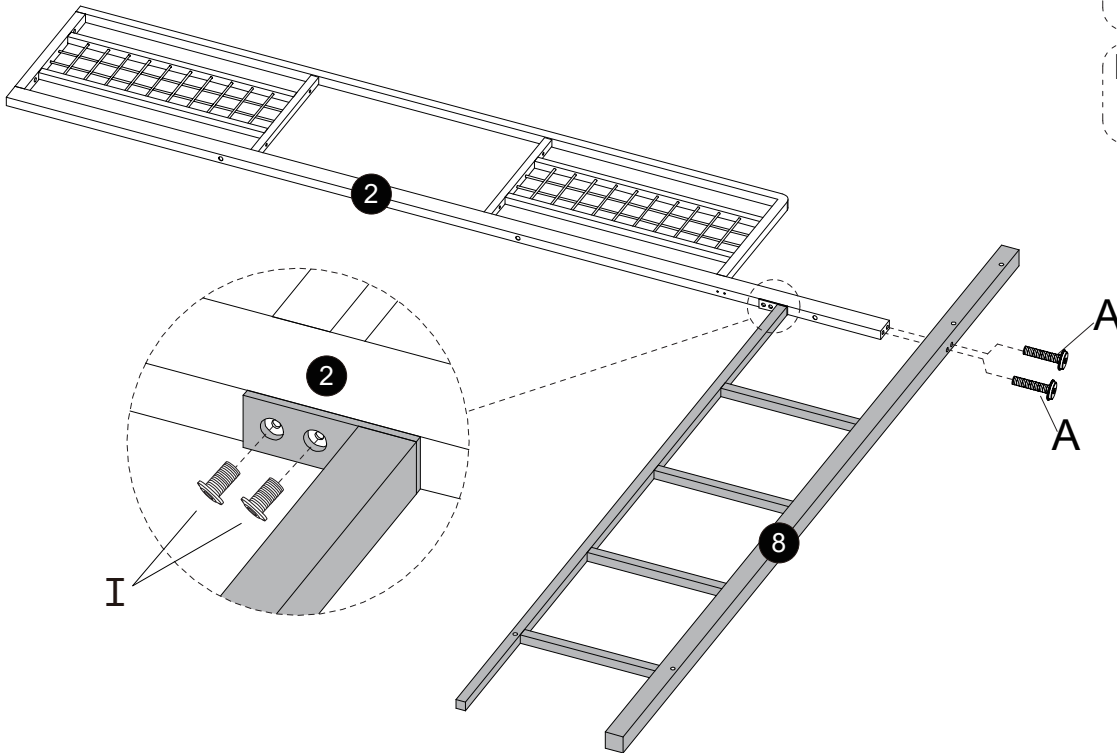
A M8*55



I M6*12



N M5



4

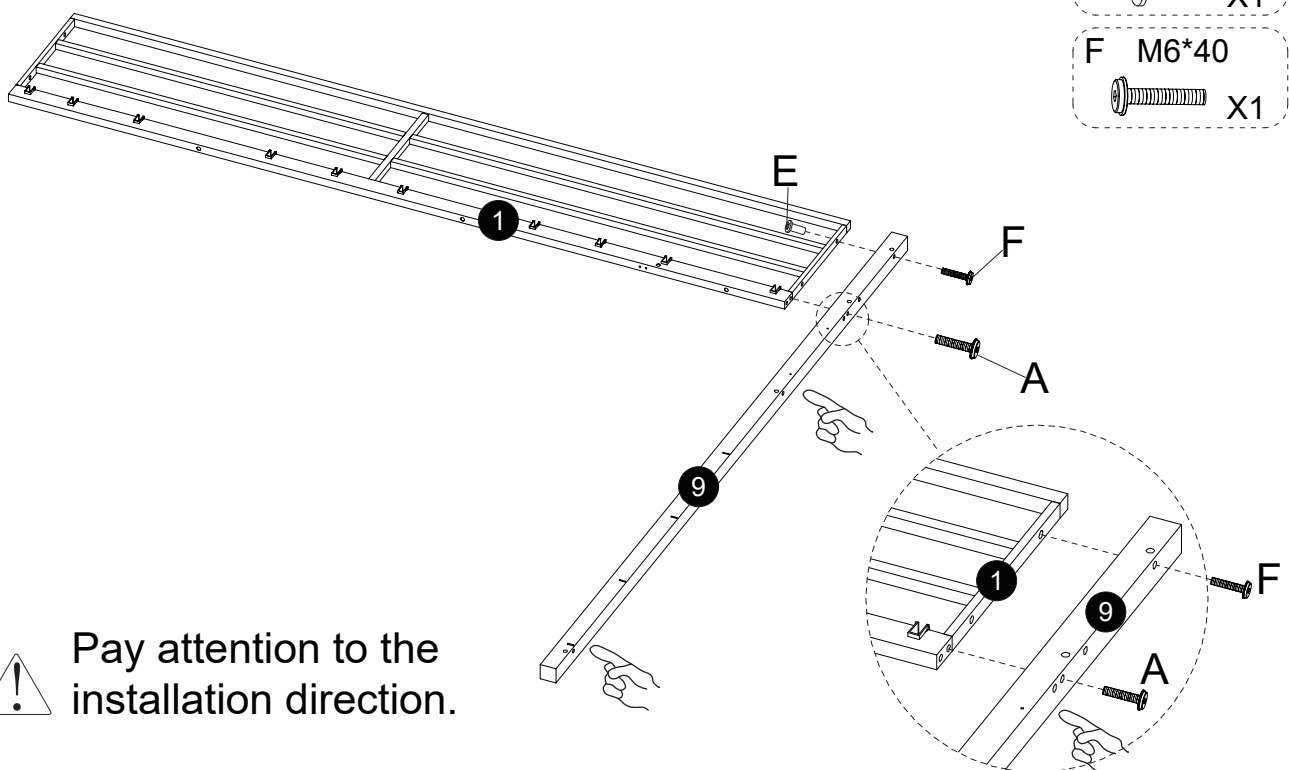
A M8*55



E M6*20



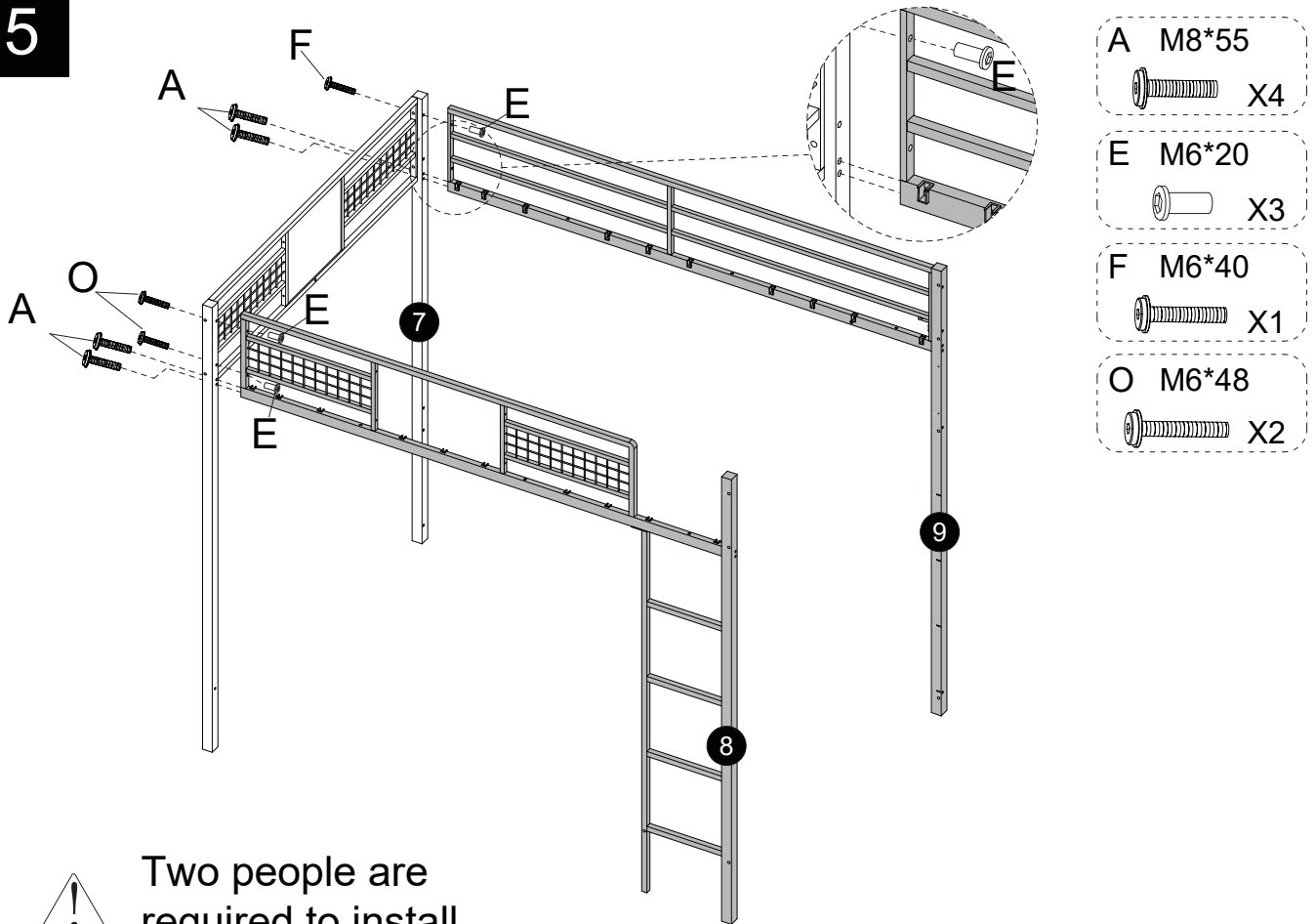
F M6*40



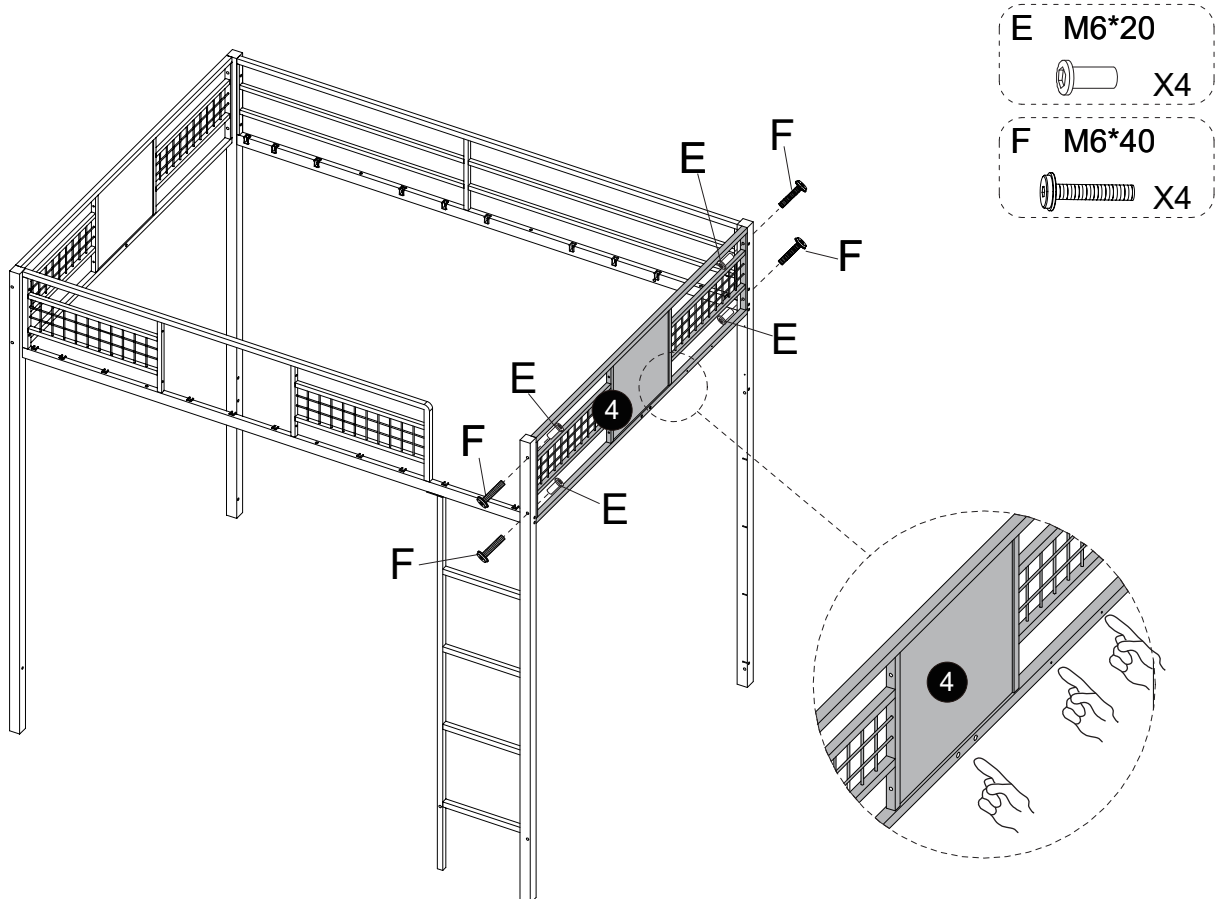
Pay attention to the installation direction.

Assembly Instruction

5



6

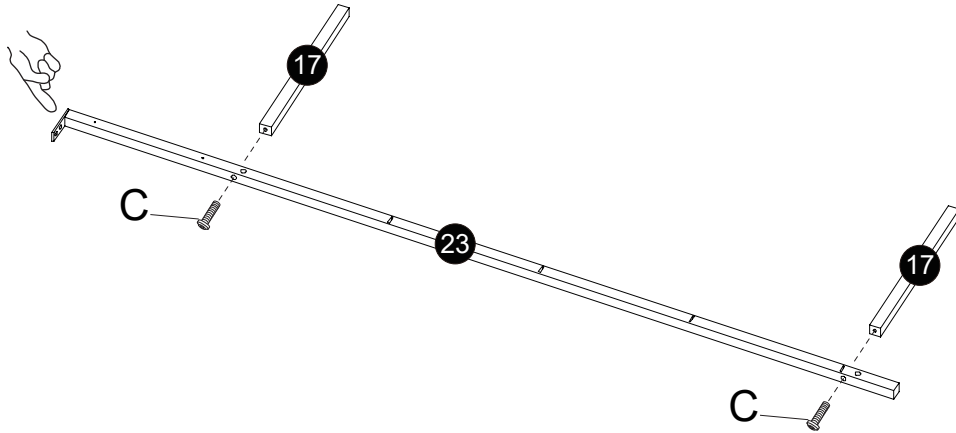


Assembly Instruction

7


C M6*40
 X2

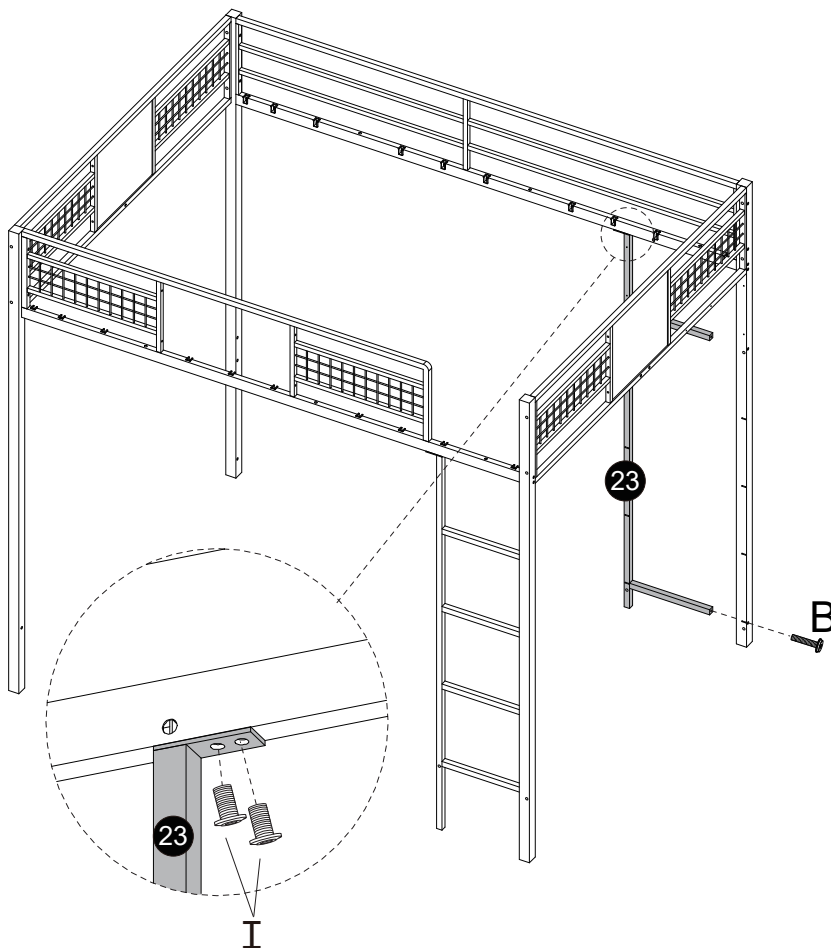
H M4
 X1



8

B M6*55
 X1

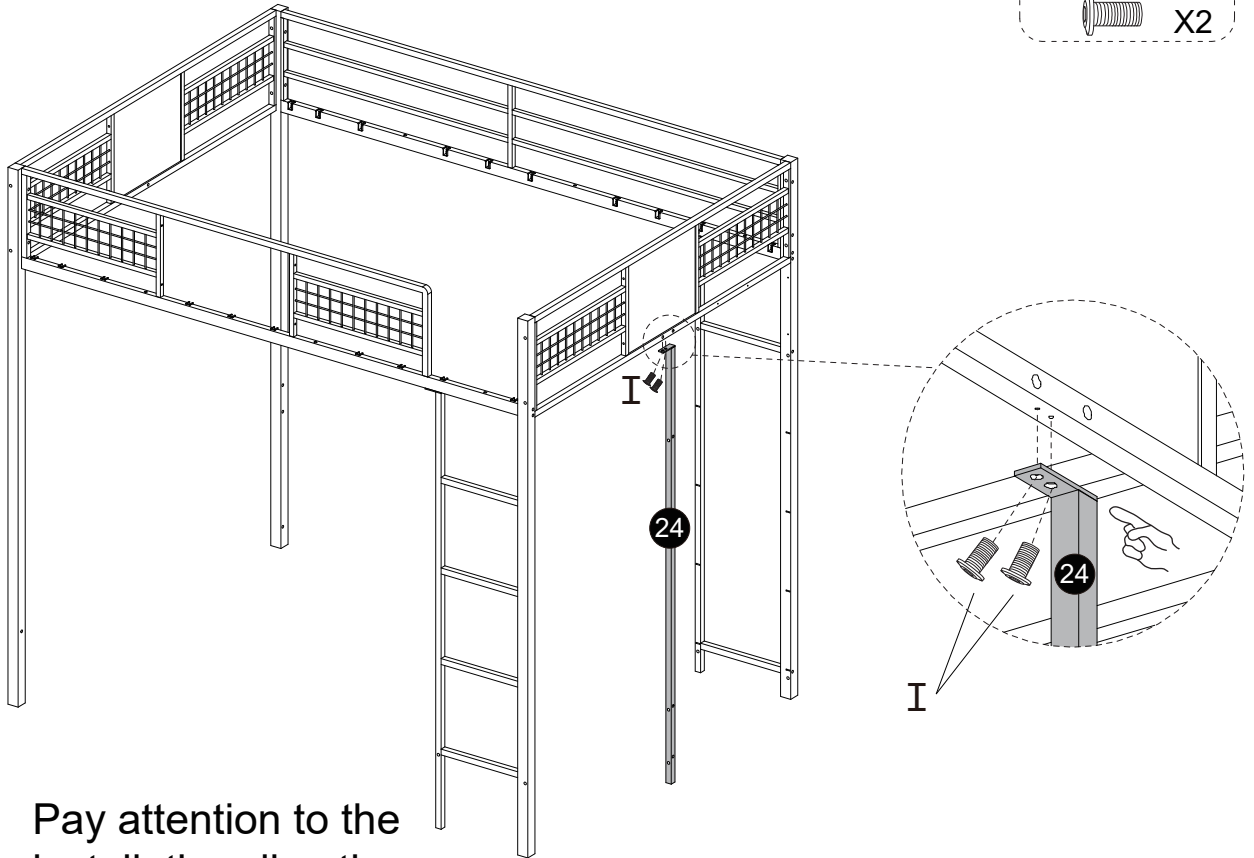
I M6*12
 X2



Assembly Instruction

9

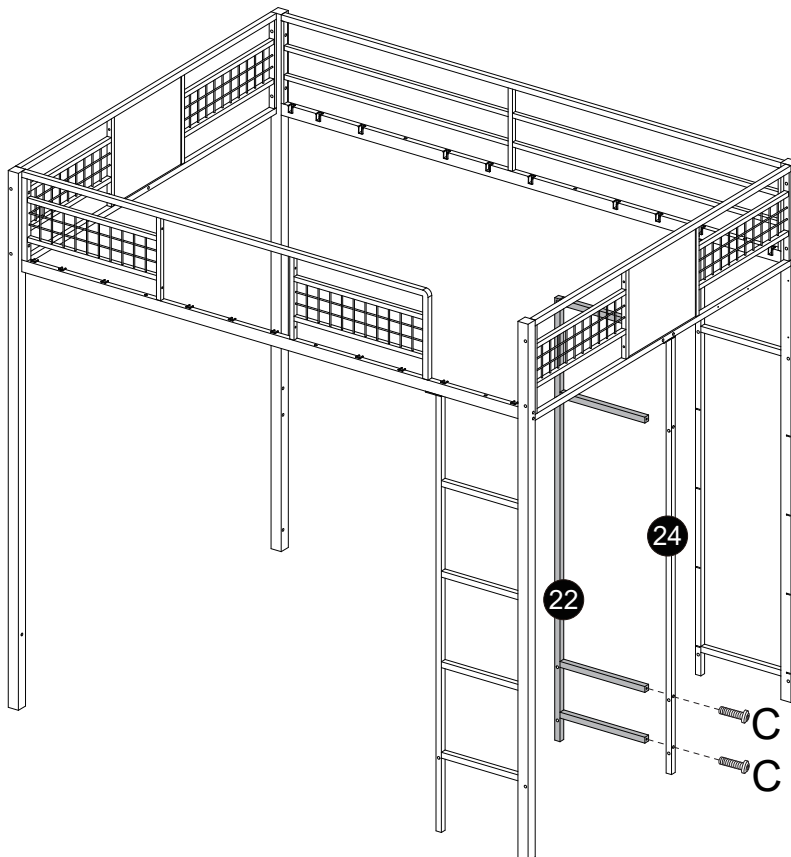
I M6*12
X2



Pay attention to the installation direction.

10

C M6*40
X2

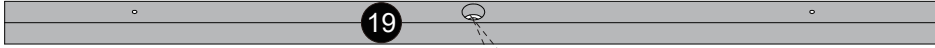


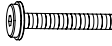
Be careful not to overtighten the screws.

Assembly Instruction

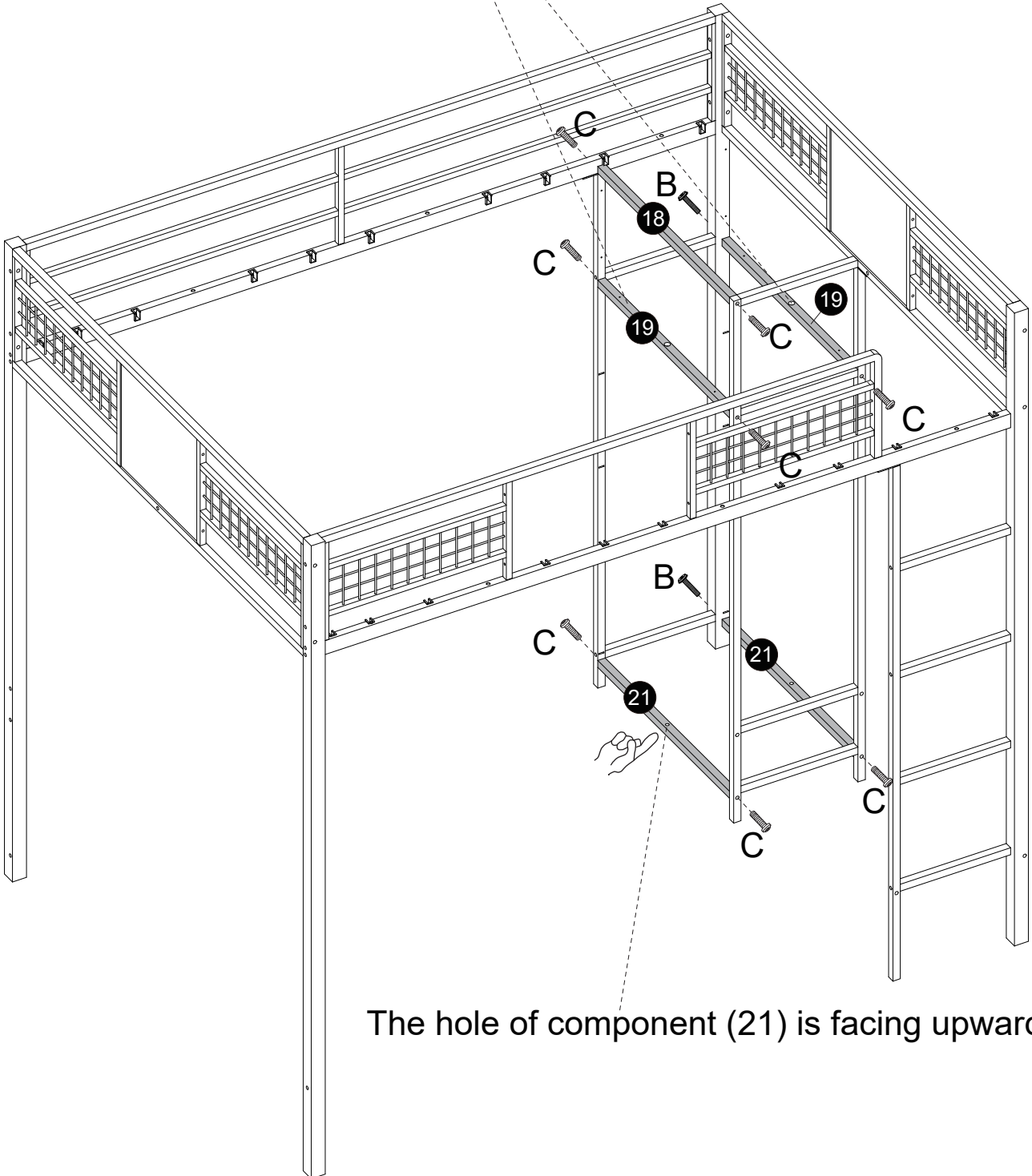
11

The large hole of component (19) is facing upwards.



B M6*55
 X2

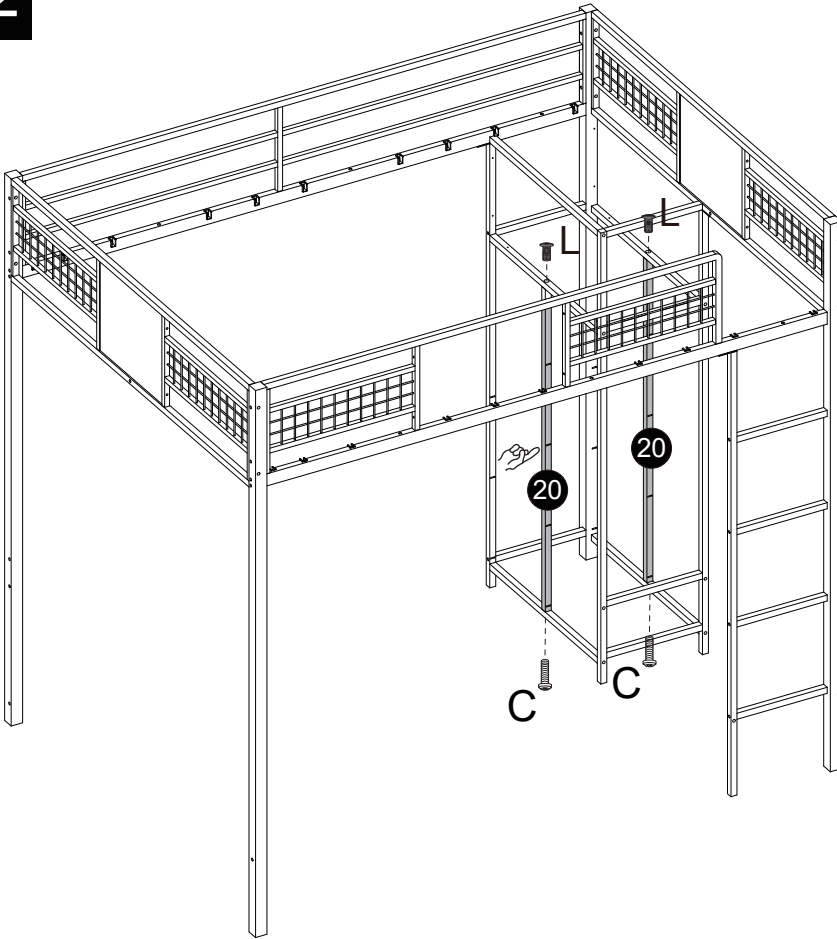
C M6*40
 X8



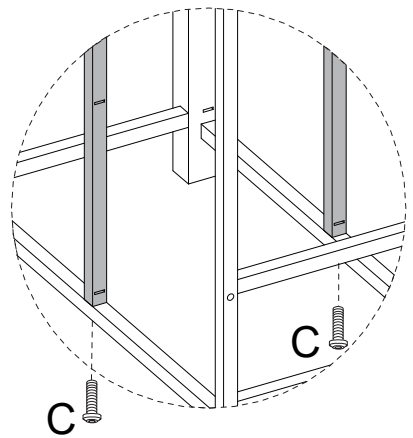
The hole of component (21) is facing upwards.

Assembly Instruction

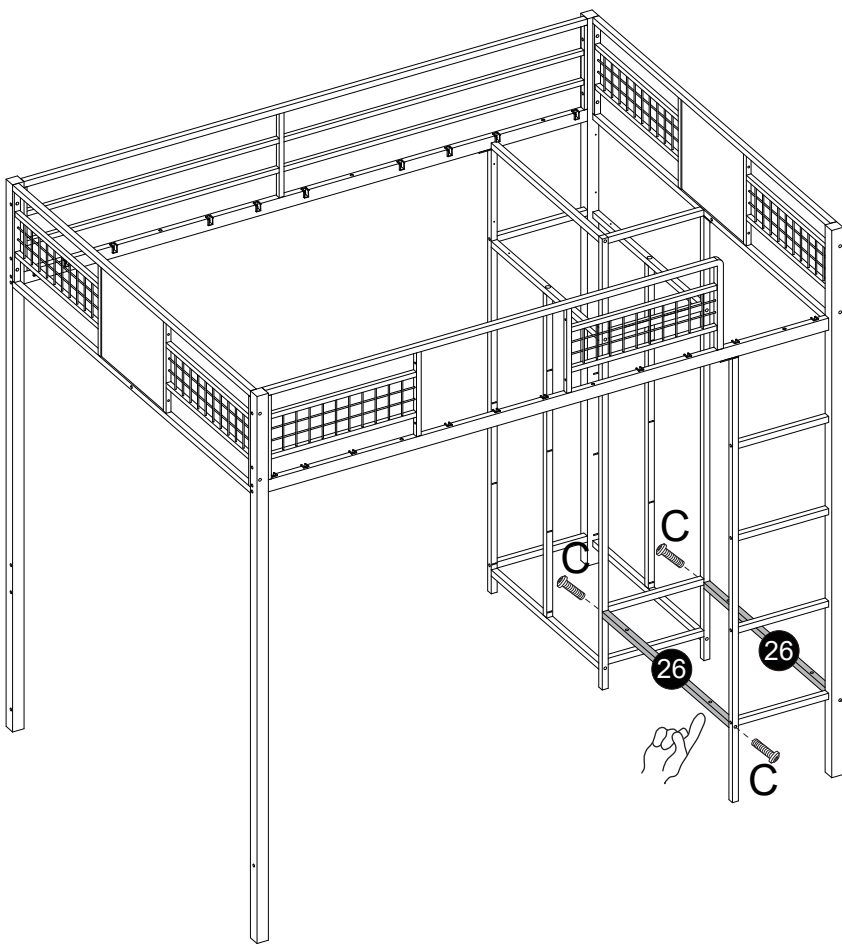
12



- C M6*40 X2
- L M6*28 X2



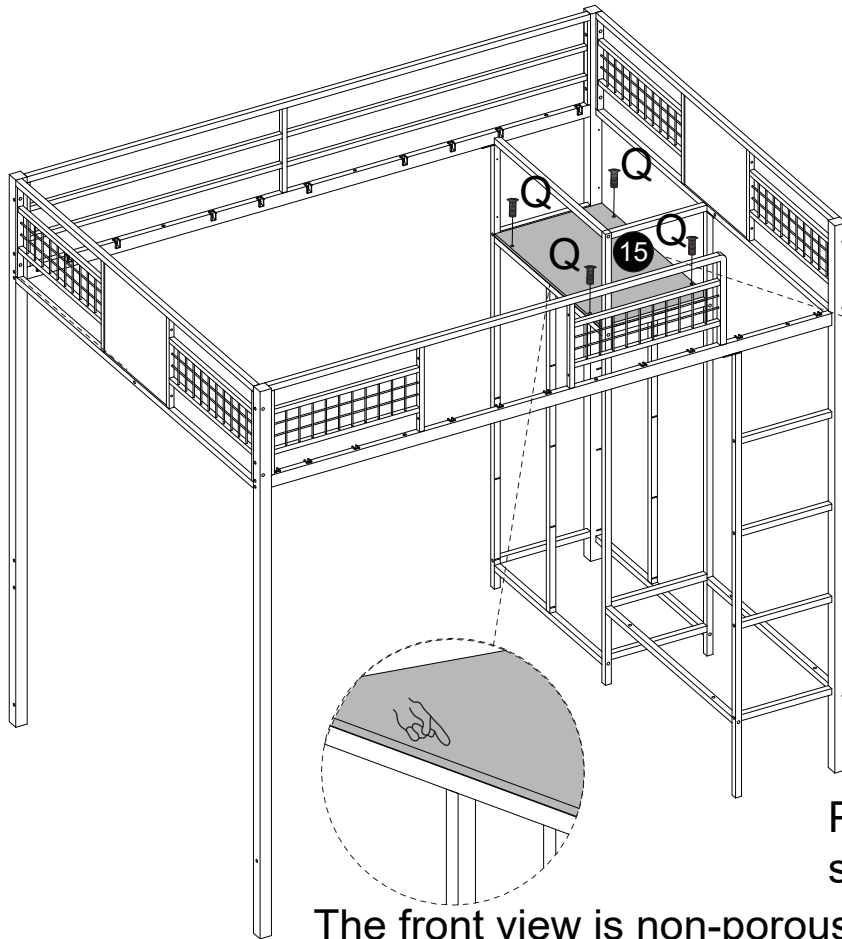
13



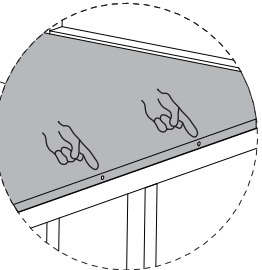
- B M6*55 X1
- C M6*40 X3

Assembly Instruction

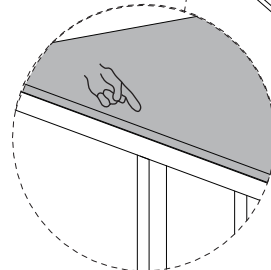
14



Q M6*18
X4



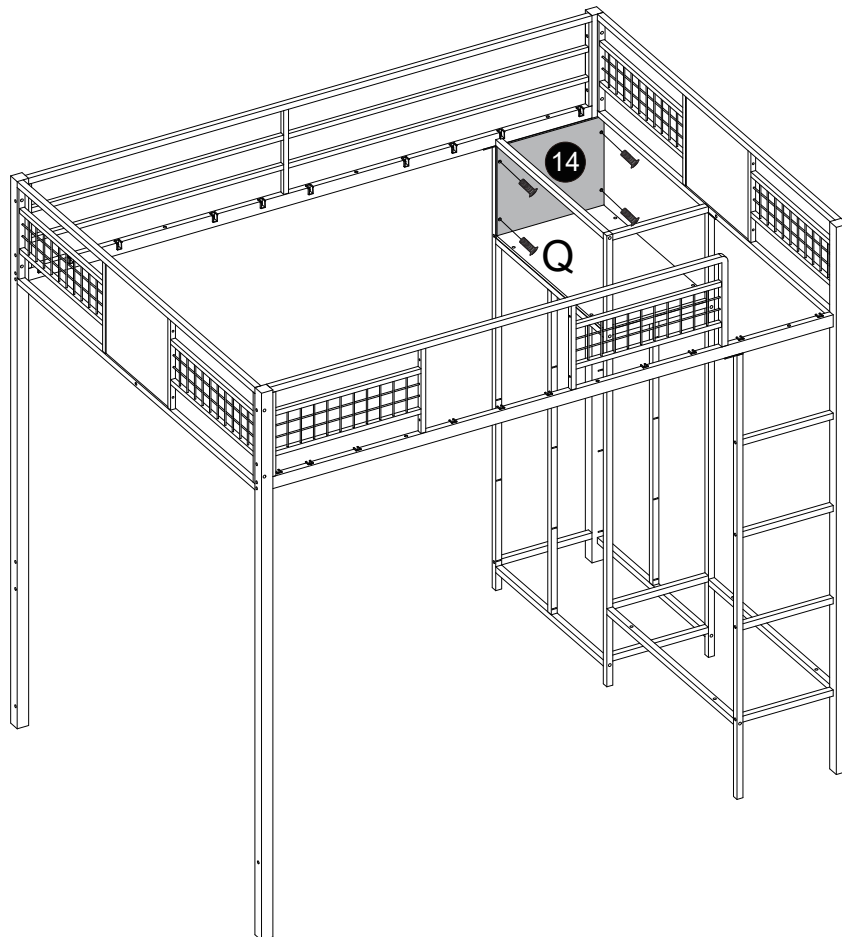
The back view is holed.



The front view is non-porous.

Please refer to step 18 for installation.

15



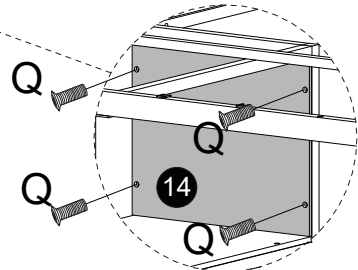
Q M6*18
X4

Assembly Instruction

16



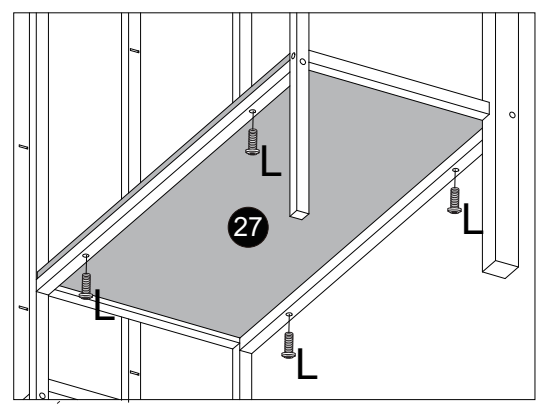
Q M6*18
X4



17

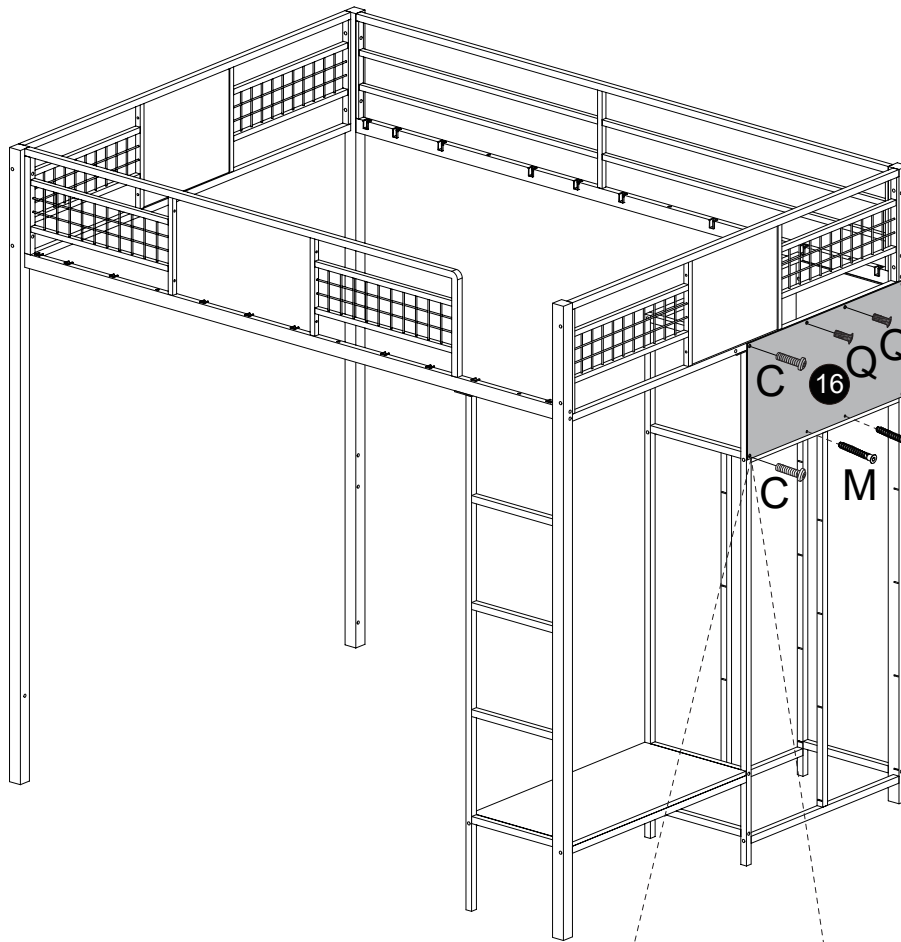


L M6*28
X4

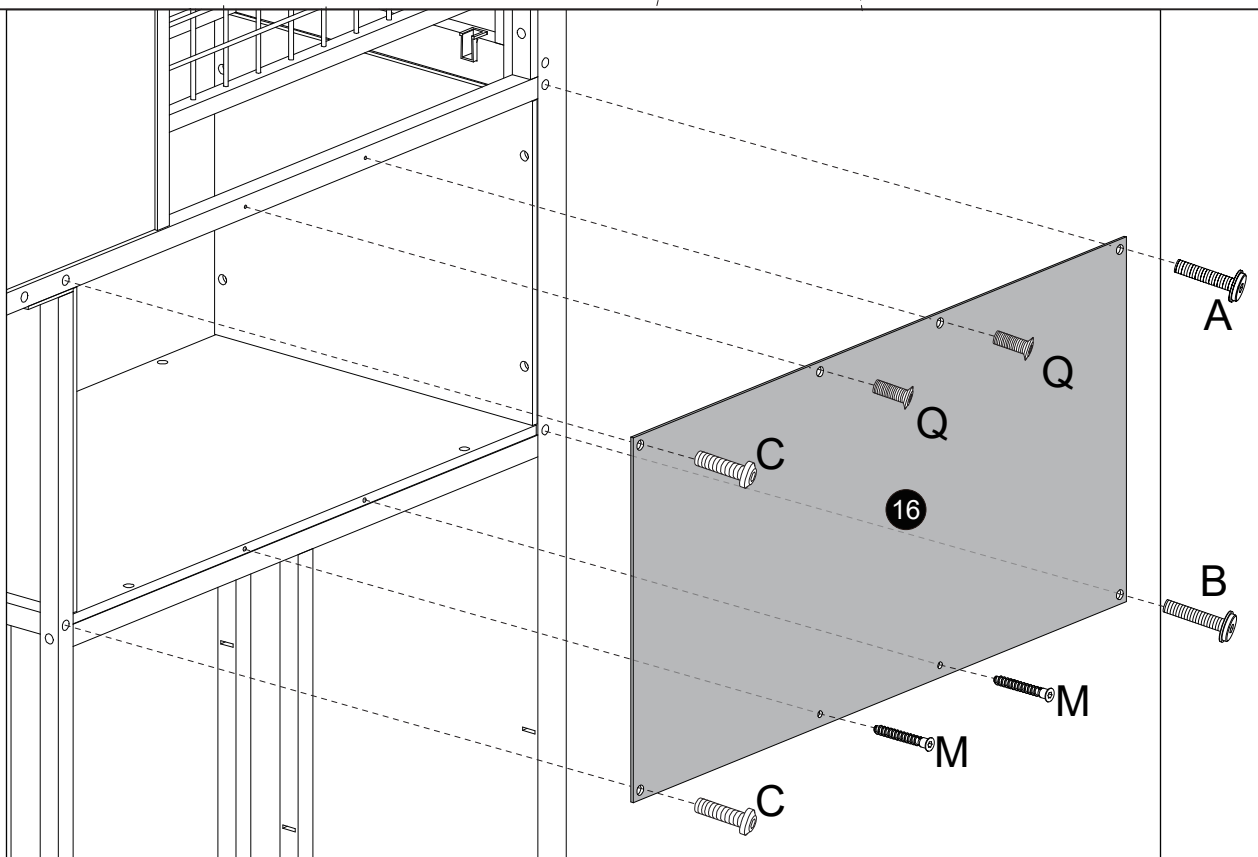


Assembly Instruction

18



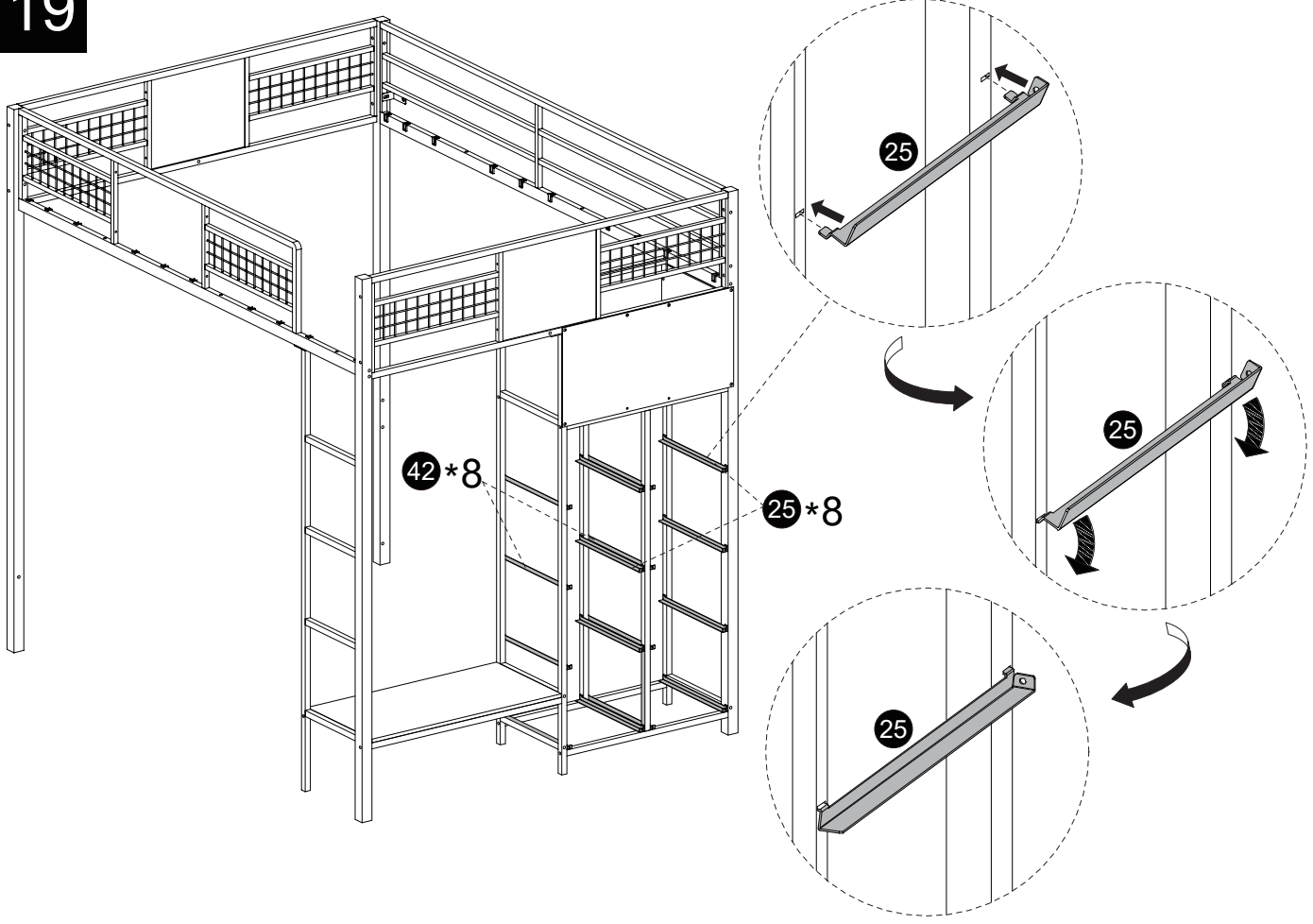
- A M8*55 X1
- B M6*55 X1
- C M6*40 X2
- M M5*40 X2
- Q M6*18 X2



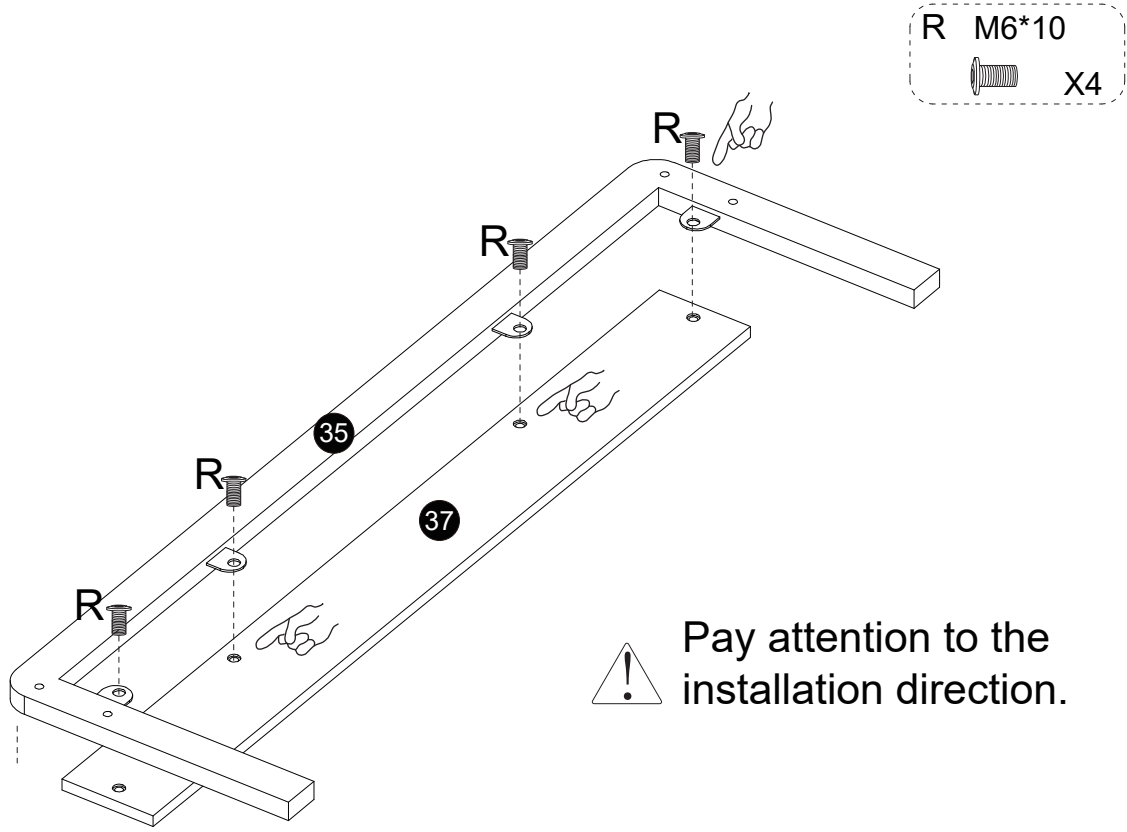
Be careful not to overtighten the screws.

Assembly Instruction

19

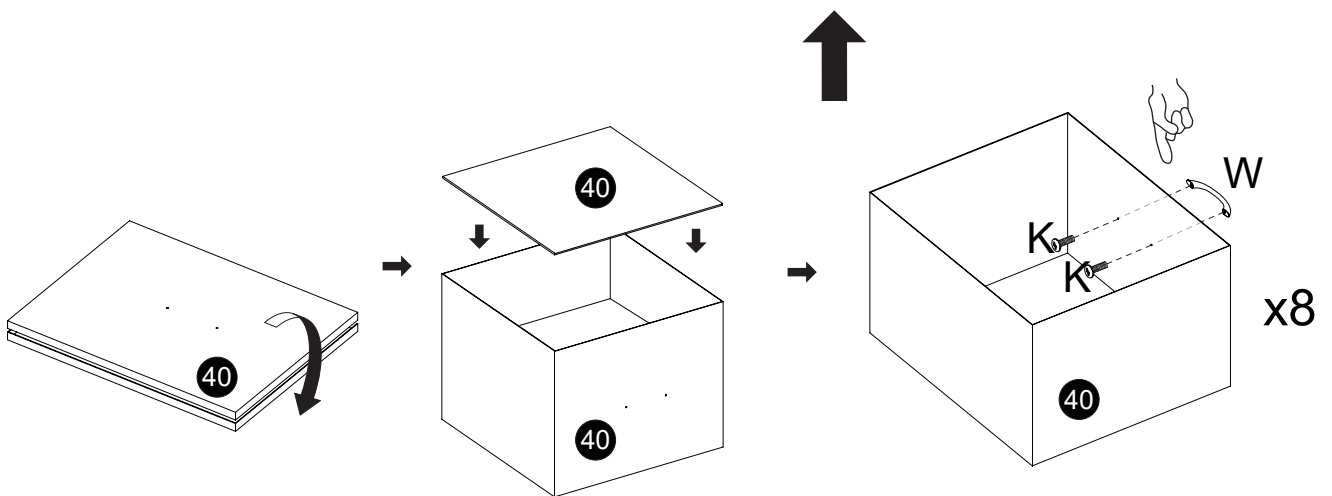
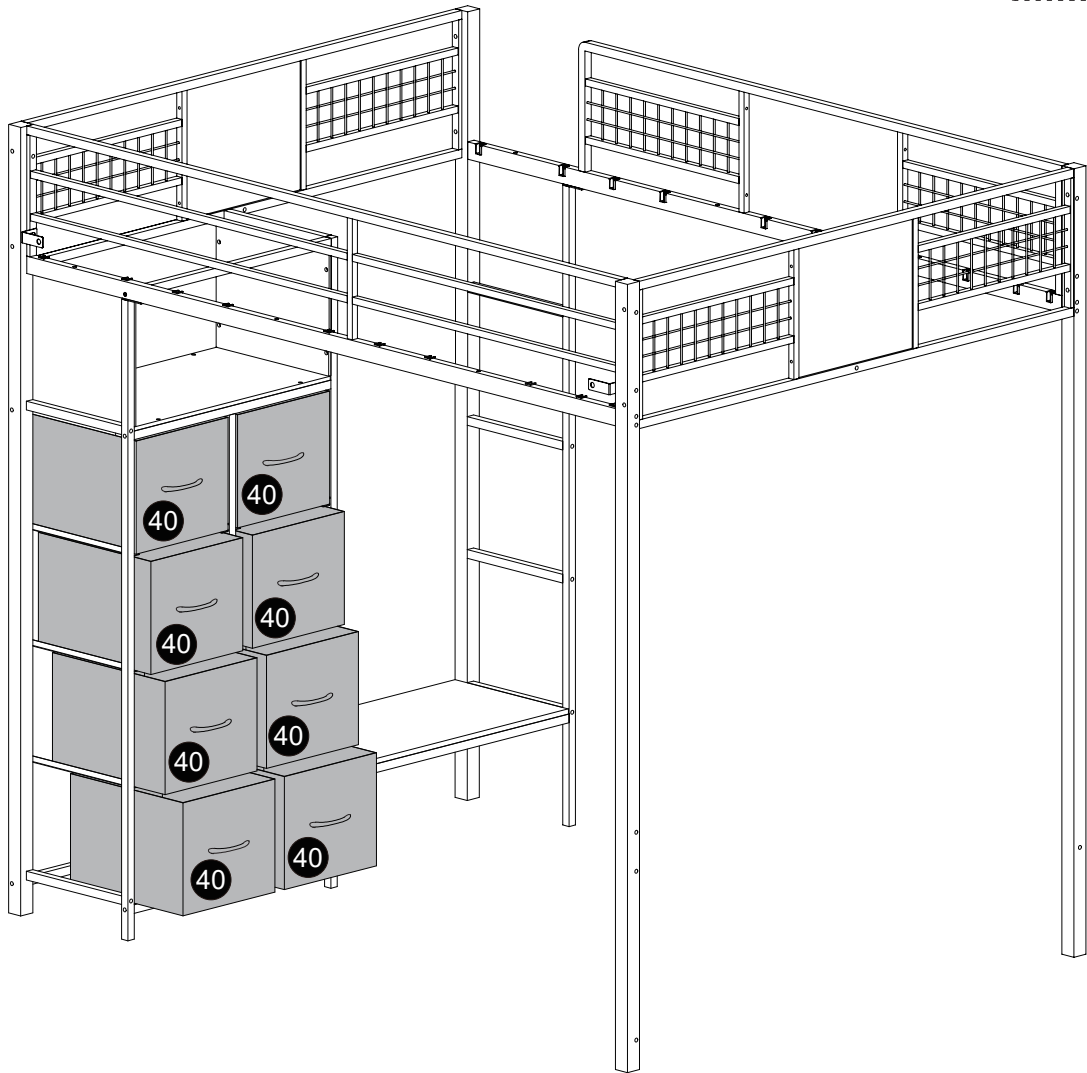
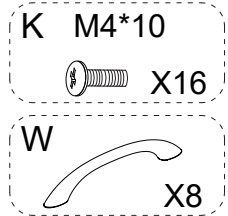


20



Assembly Instruction

21



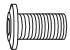
Be careful not to overtighten the screws.

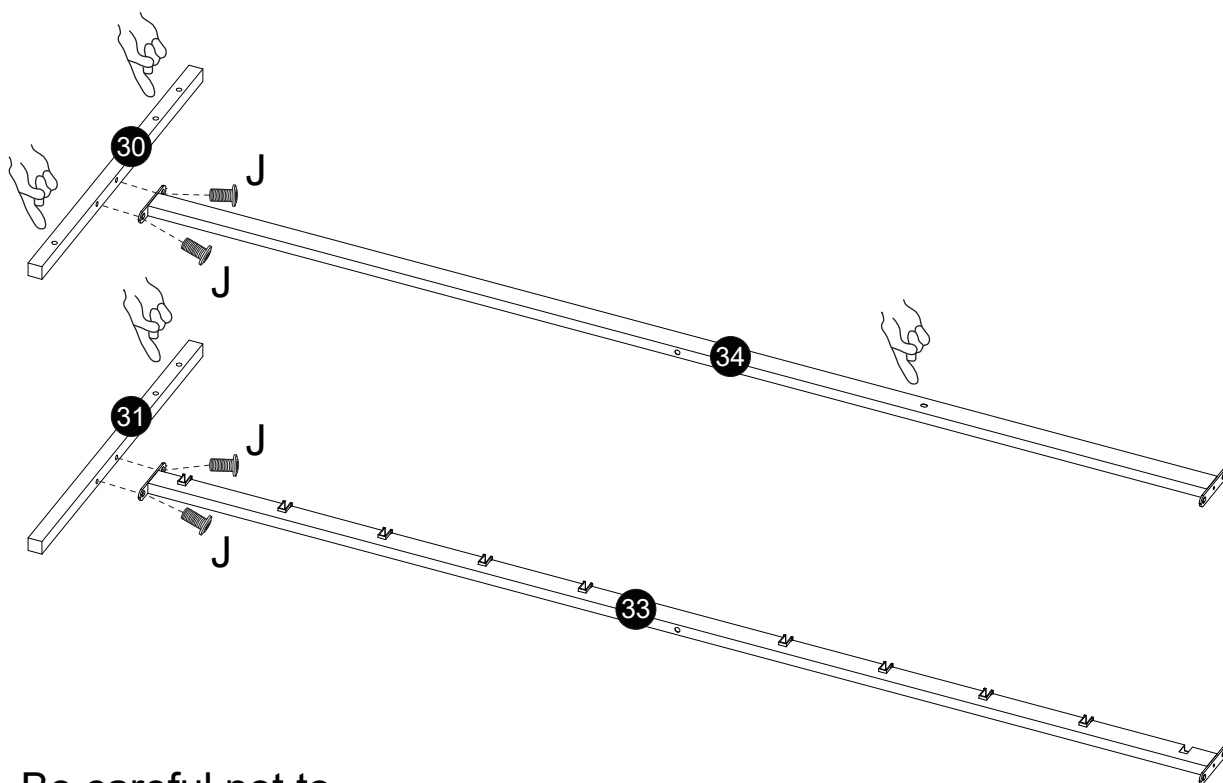
Assembly Instruction

22



Please pay attention to the up, down, left, and right directions of holes 31 and 30.

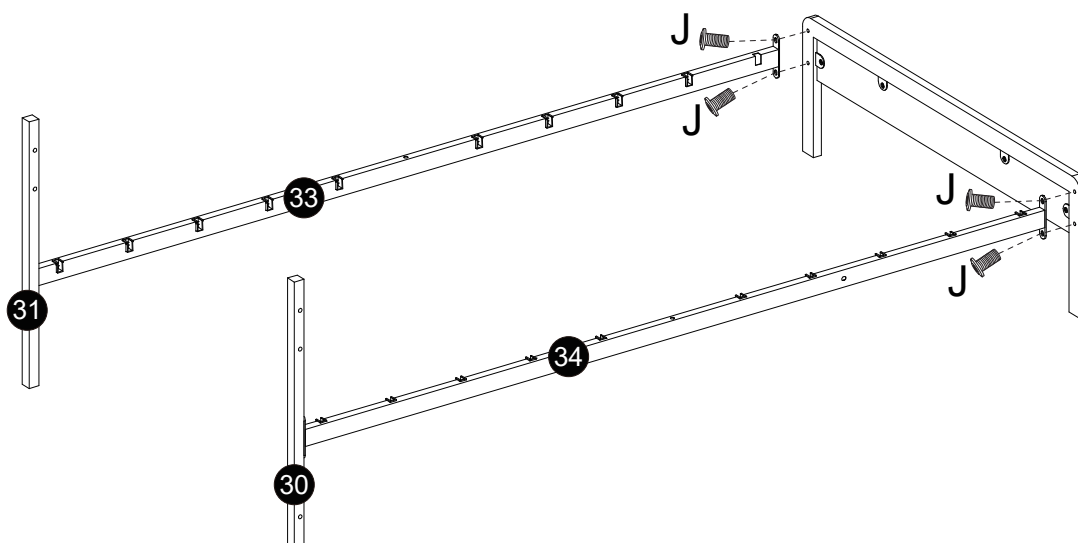
J M8*20
 X4



Be careful not to overtighten the screws.

23

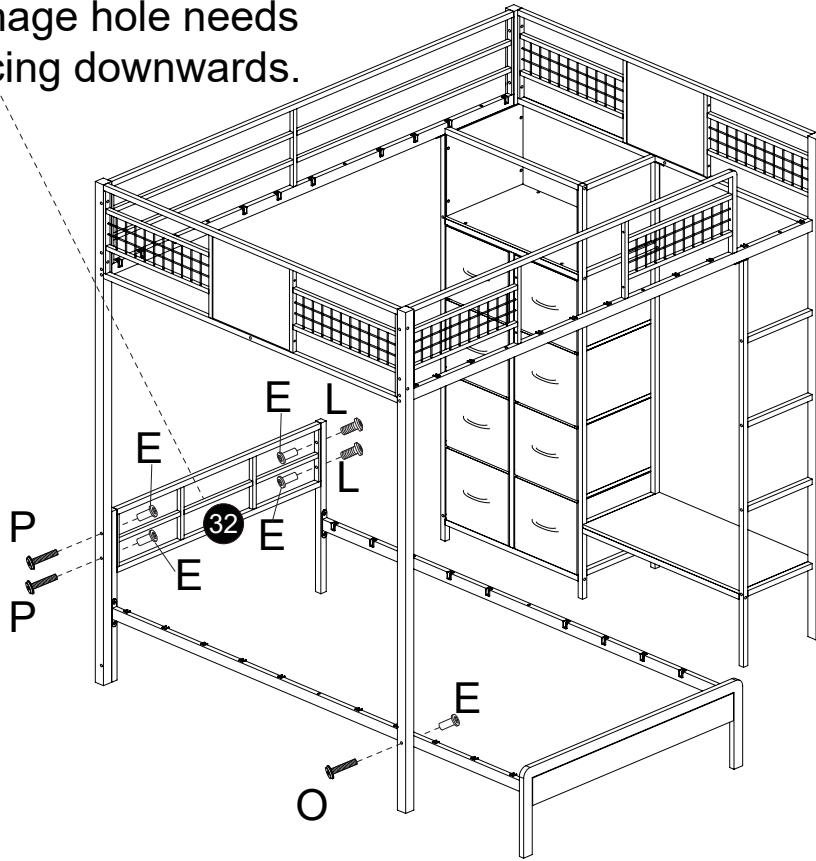
J M8*20
 X4



Be careful not to overtighten the screws.

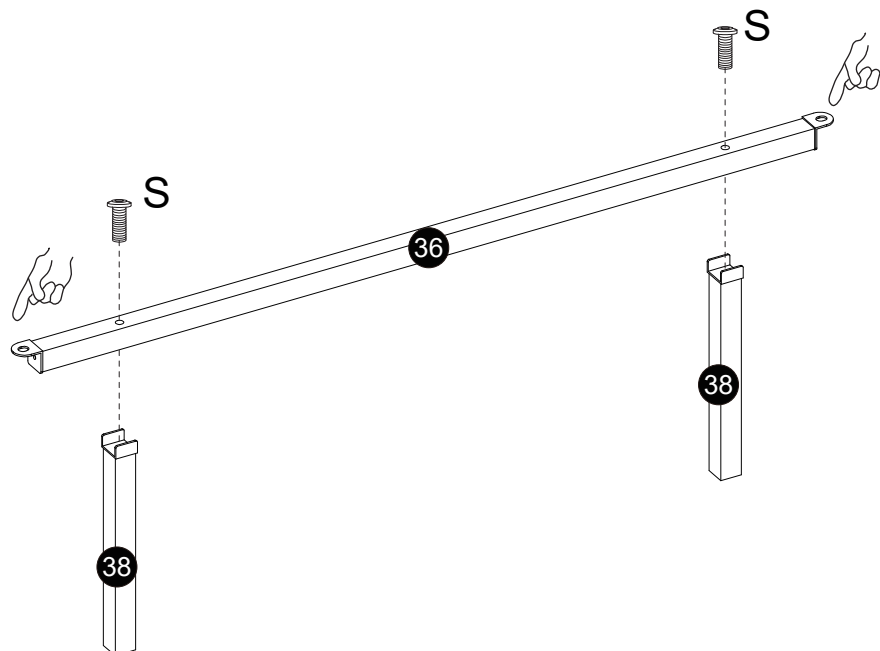
Assembly Instruction

24 When installing component (32), the drainage hole needs to be facing downwards.



- E M6*20 X5
- L M6*28 X2
- O M6*48 X1
- P M6*65 X2

25



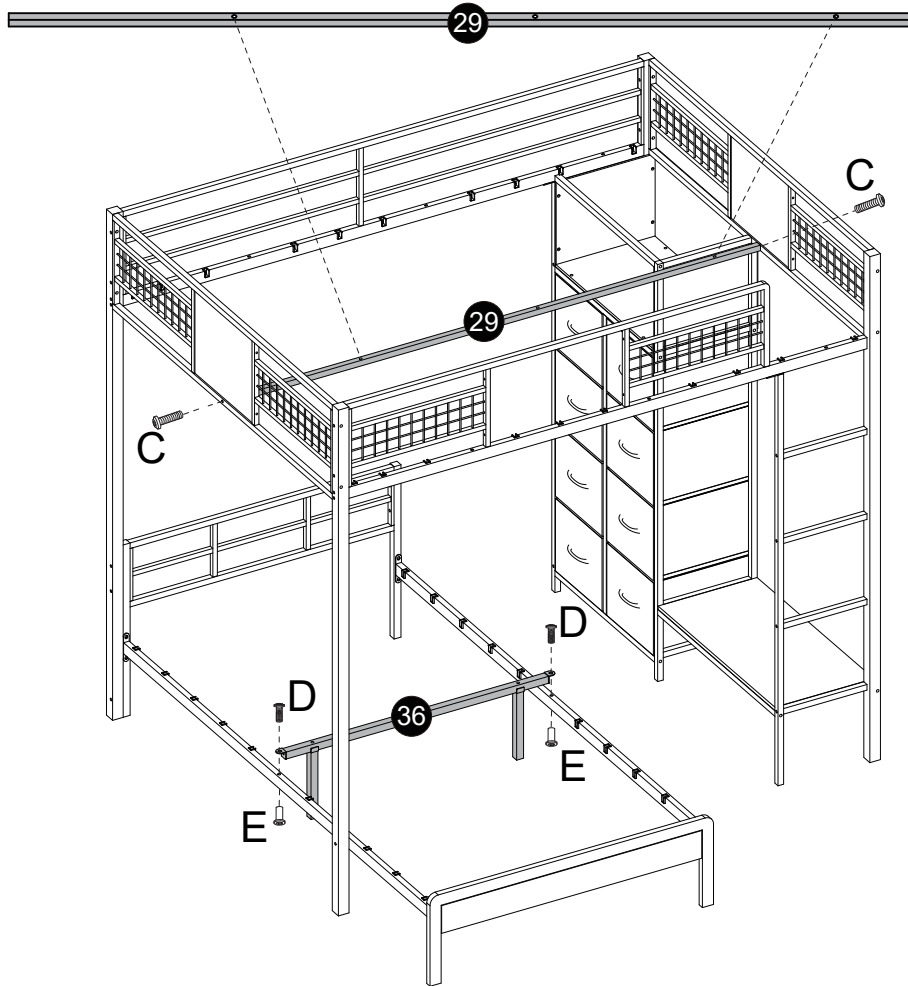
- S M8*35 X2


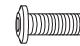
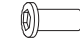


Pay attention to the installation direction.

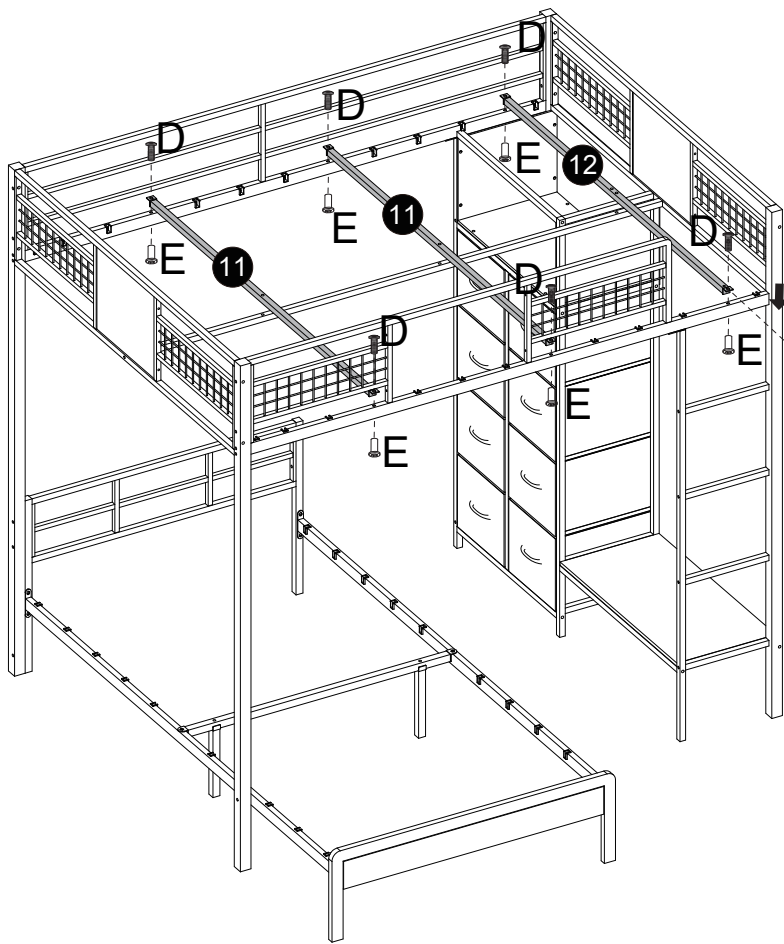
Assembly Instruction

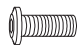
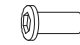
26

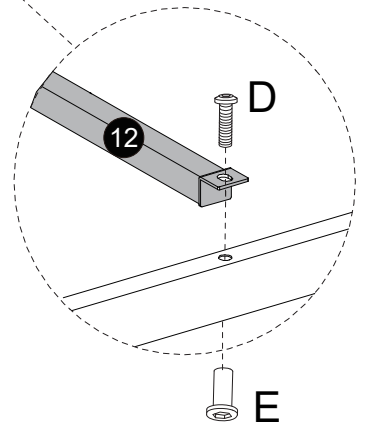


- C M6*40
 X2
- D M6*32
 X2
- E M6*20
 X2

27

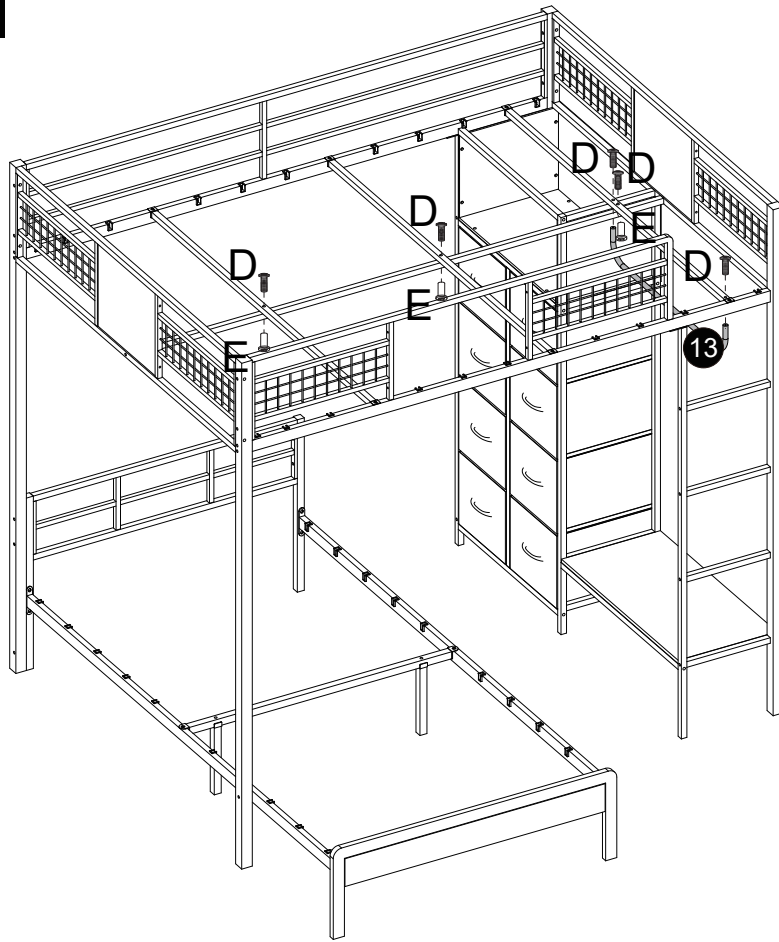


- D M6*32
 X6
- E M6*20
 X6



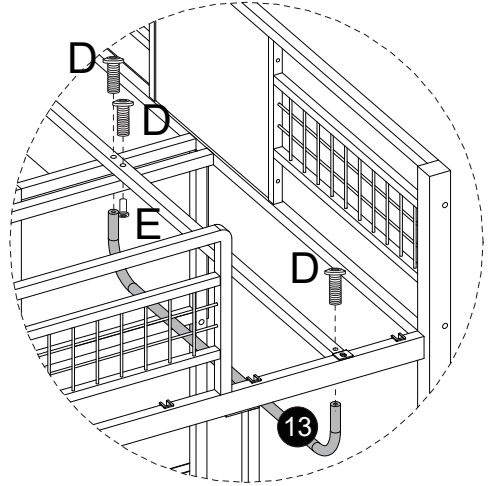
Assembly Instruction

28

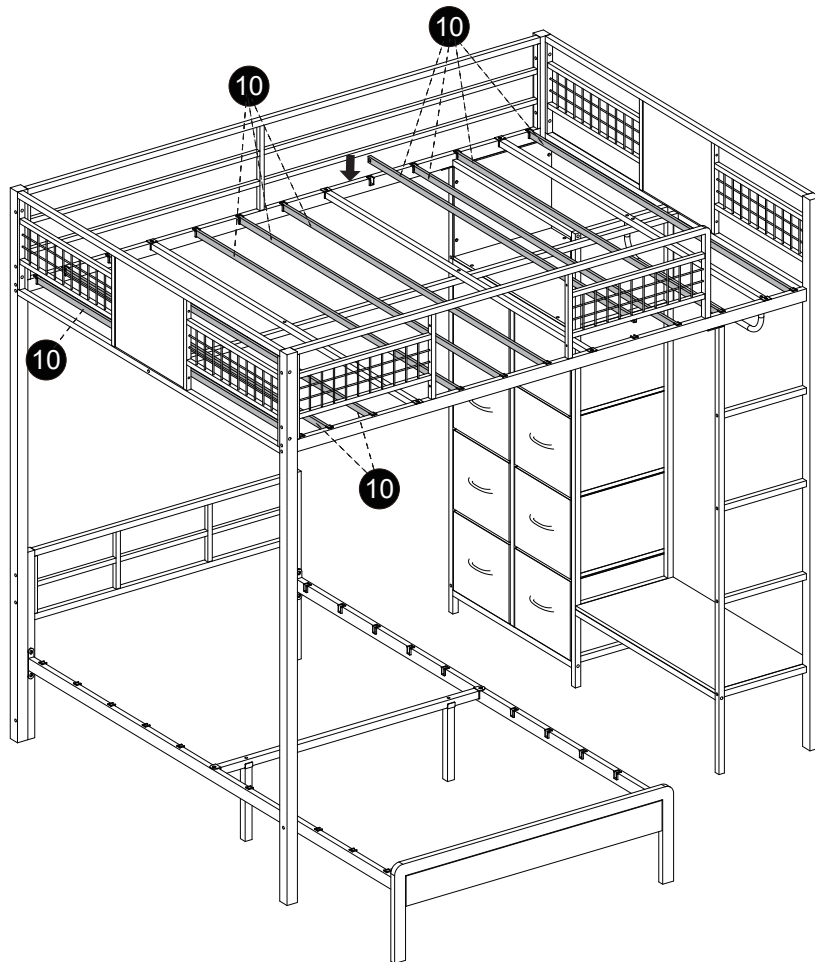


E M6*20
 X3

D M6*32
 X5

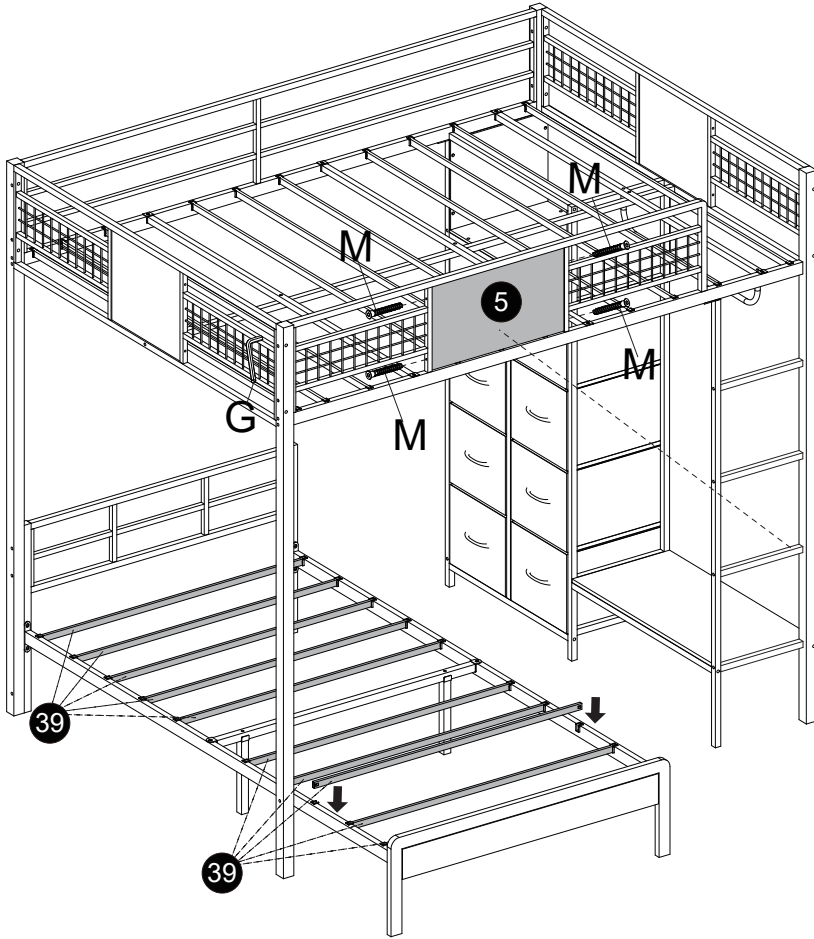


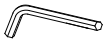
29



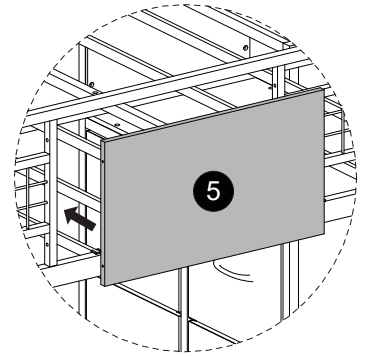
Assembly Instruction

30

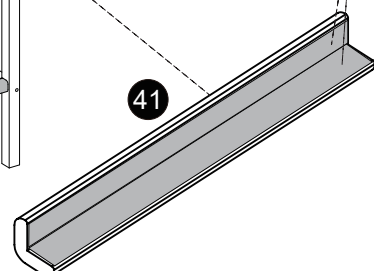
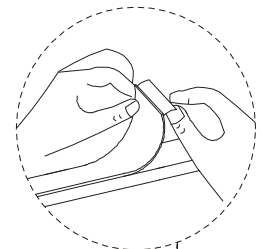
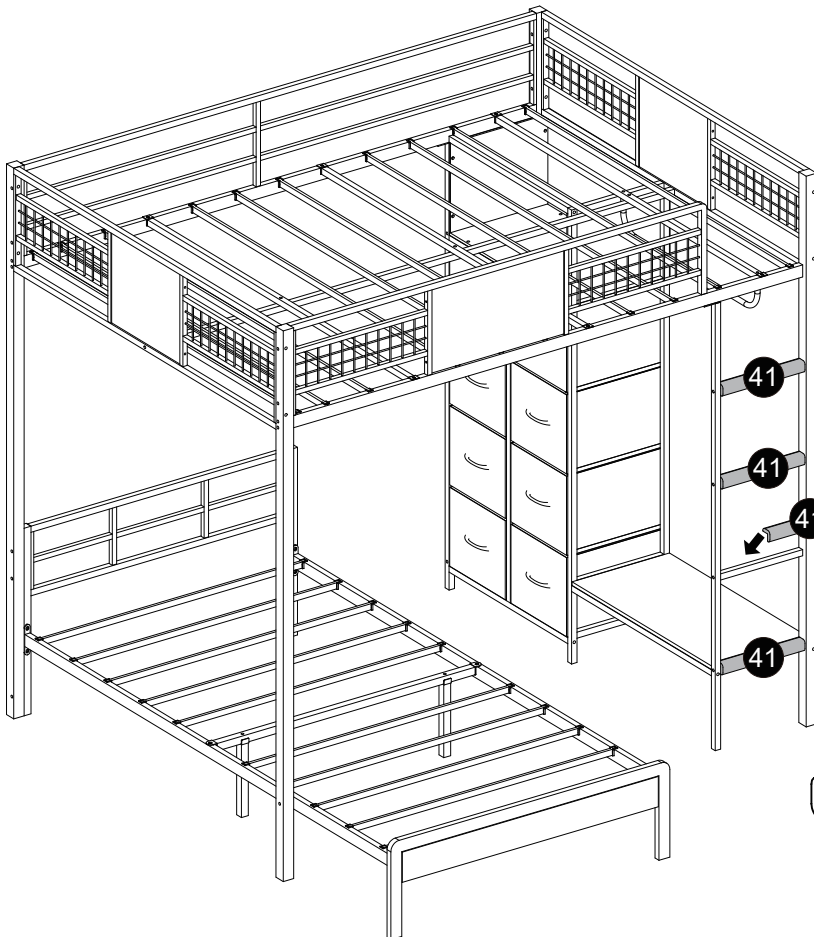


G M3
 X1

M M4*40
 X4



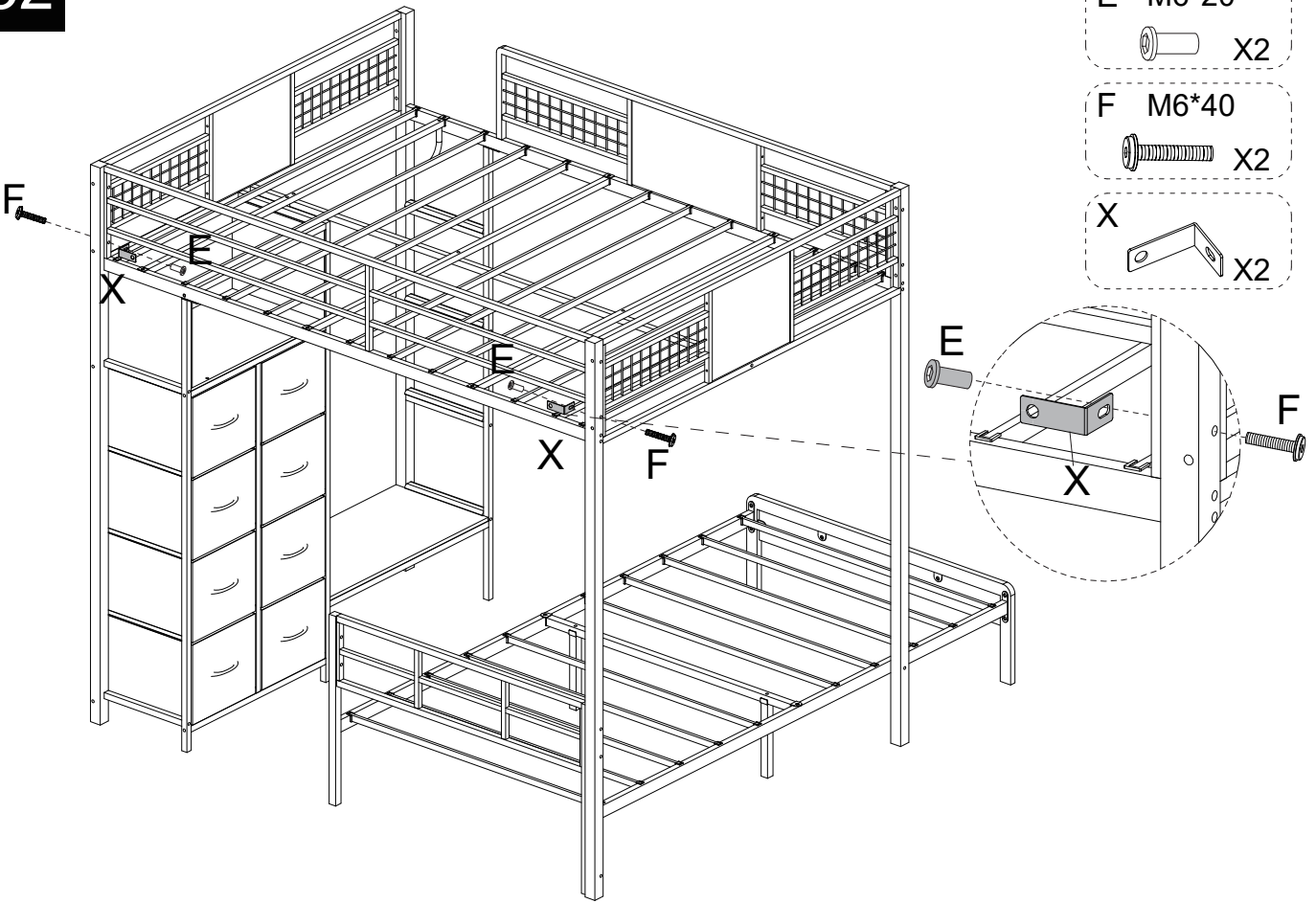
31



Assembly Instruction

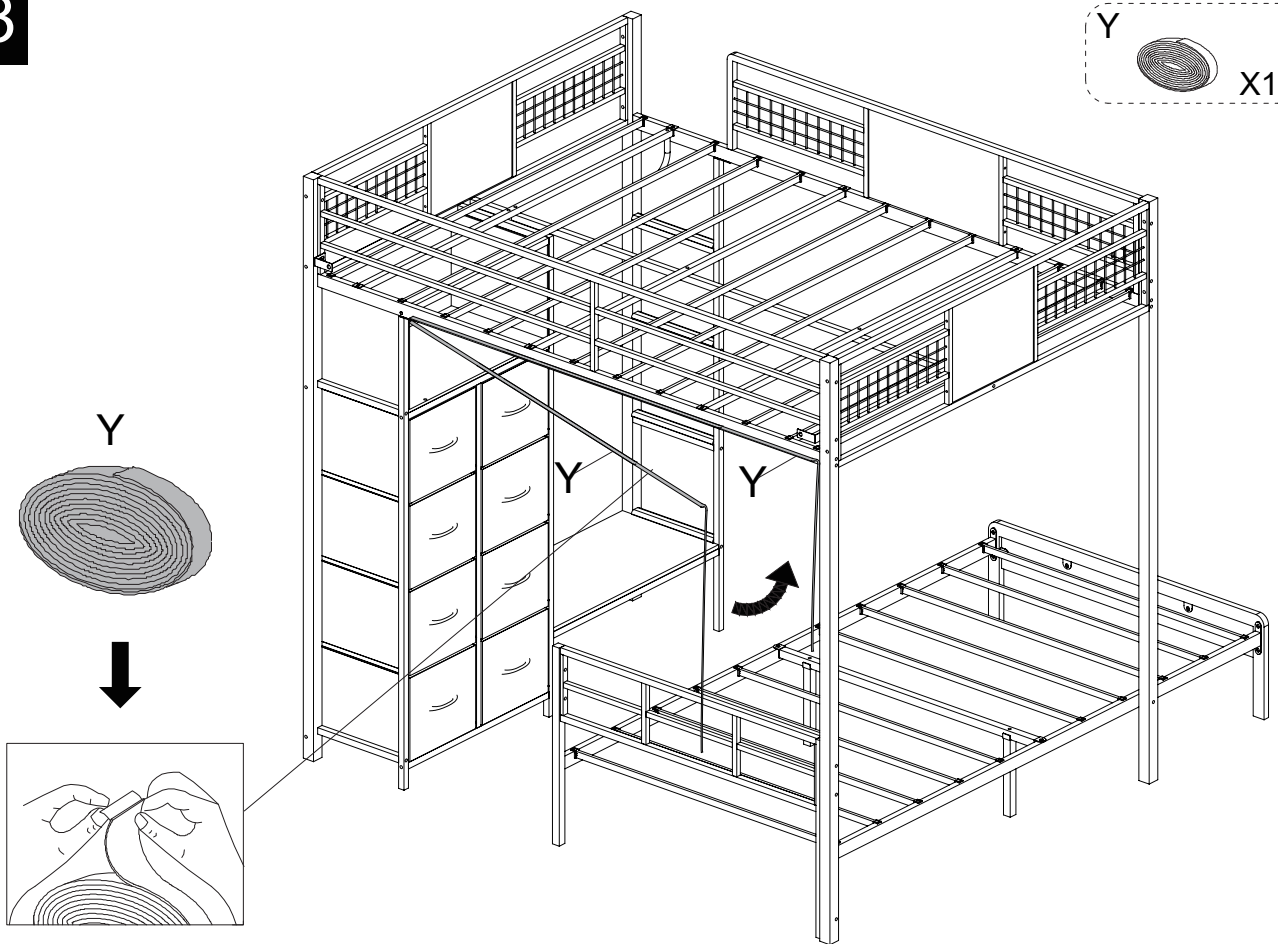
32

- E M6*20 X2
- F M6*40 X2
- X X2



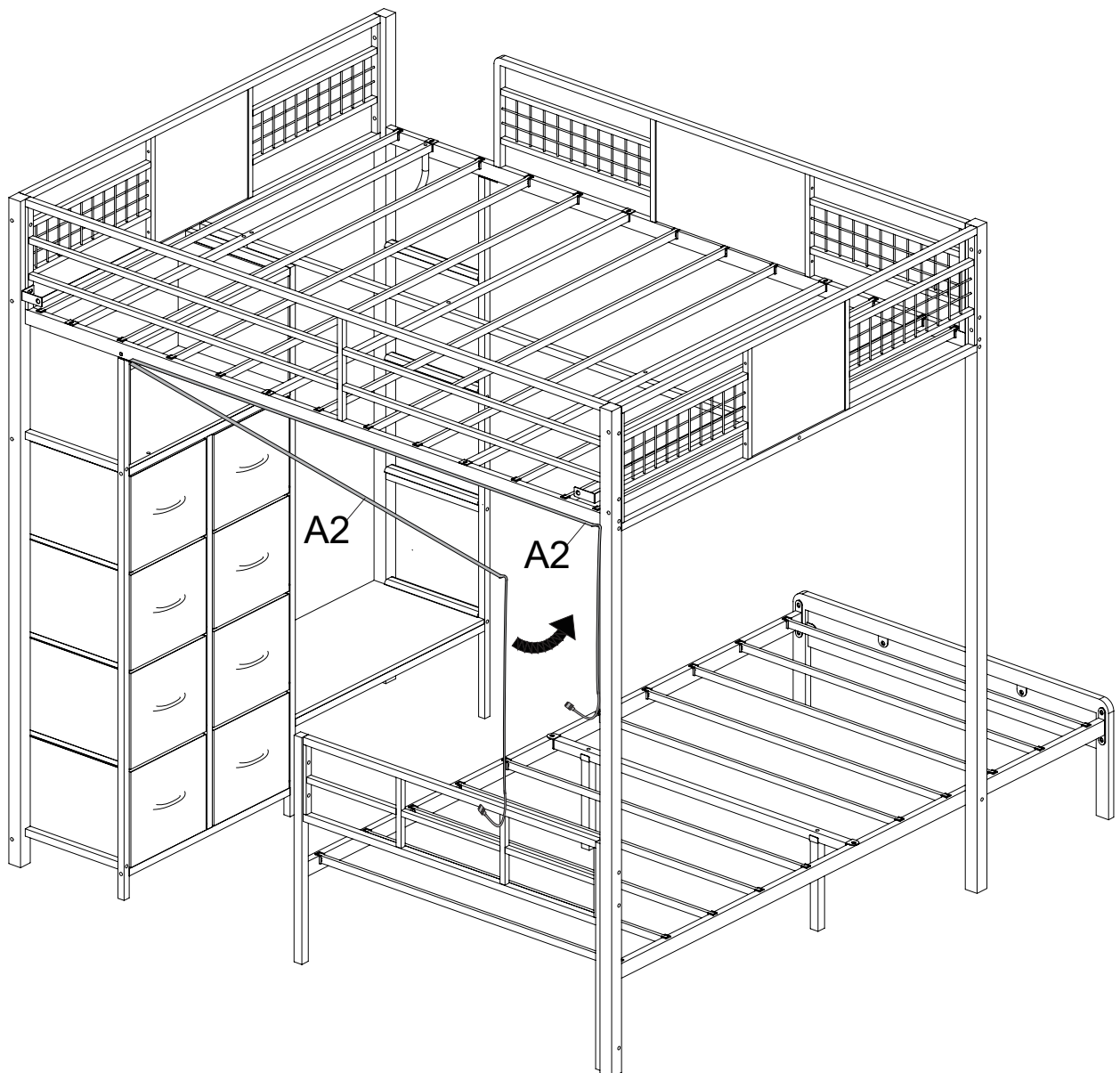
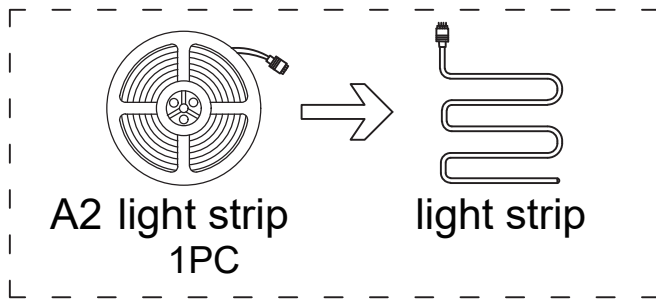
33

- Y X1



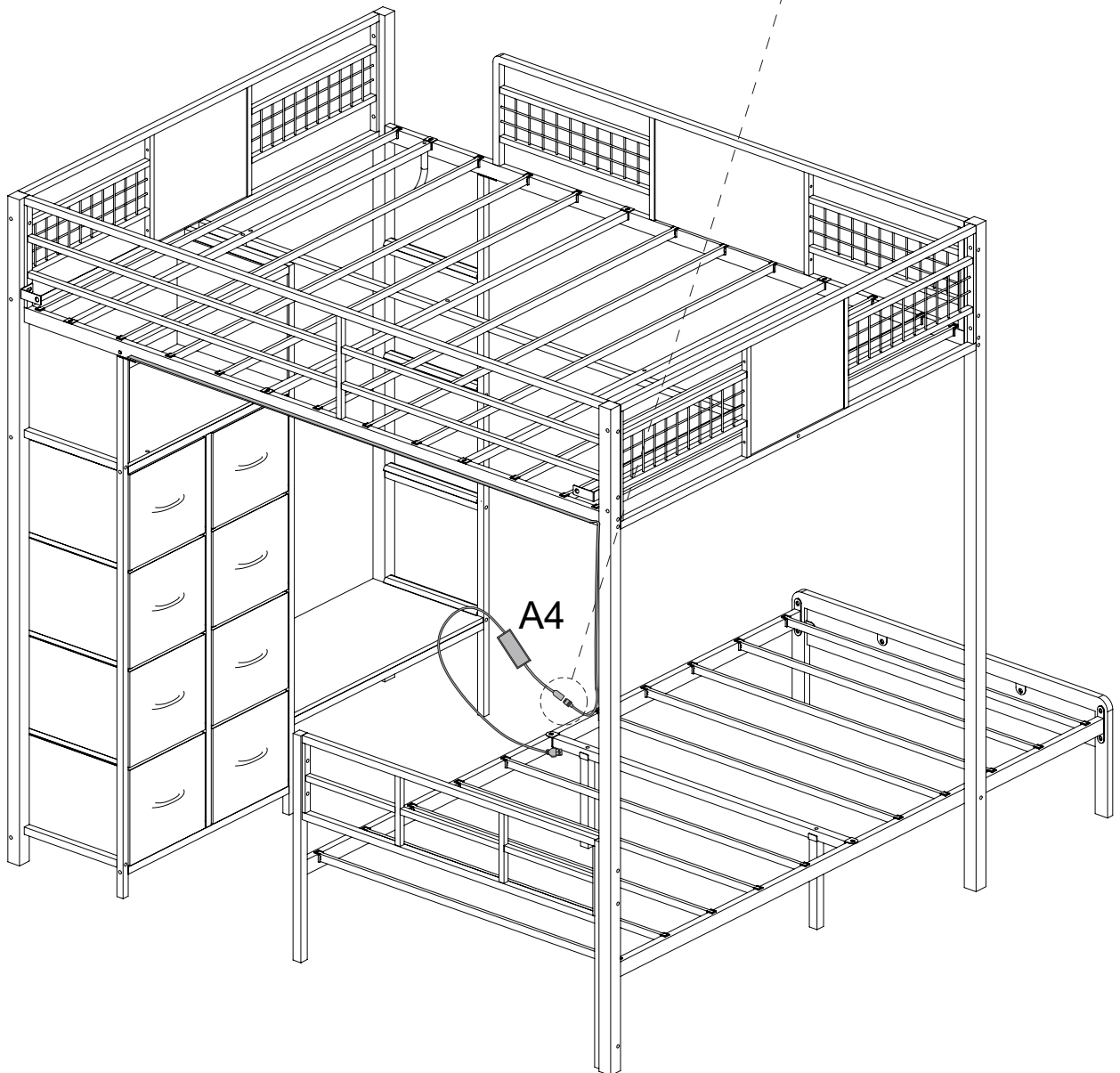
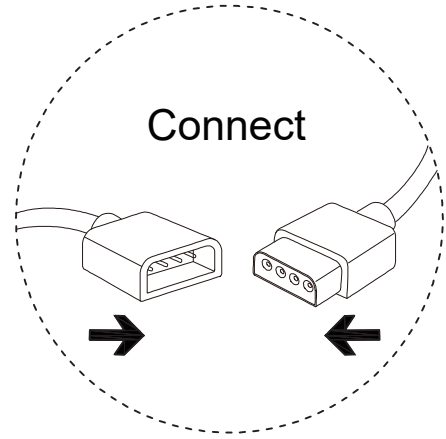
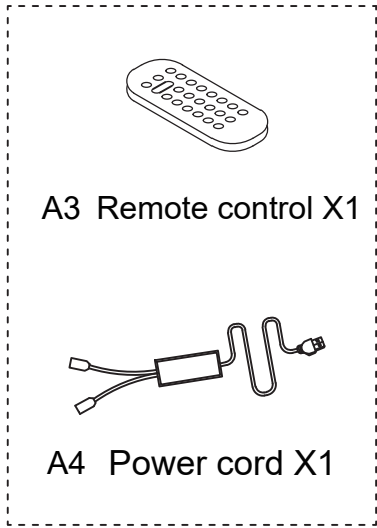
Assembly Instruction

34



Assembly Instruction

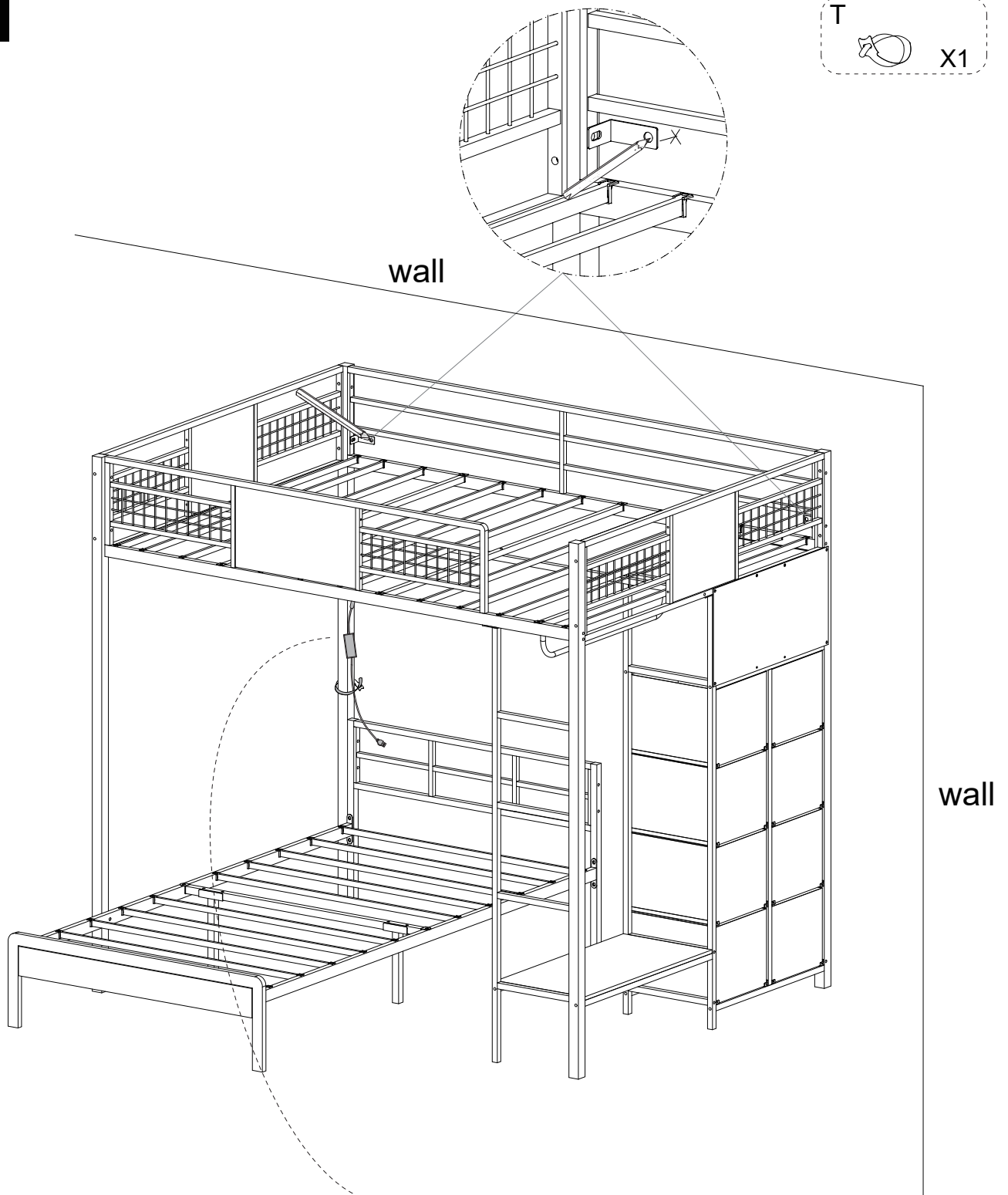
35



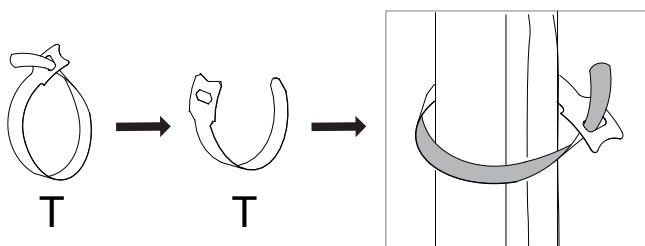
Assembly Instruction

36

T X1

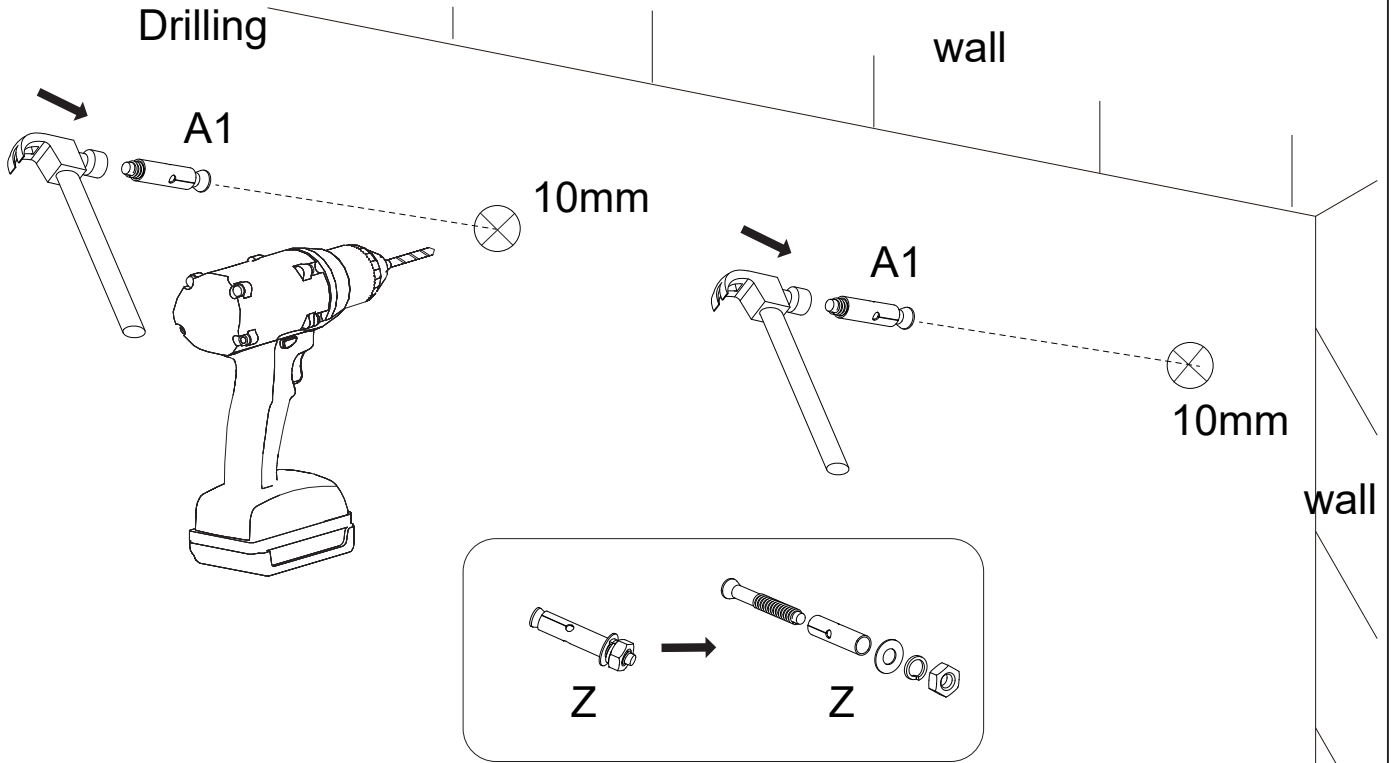


Please loosen the tie and tie it onto the iron pipe. As shown in the figure.



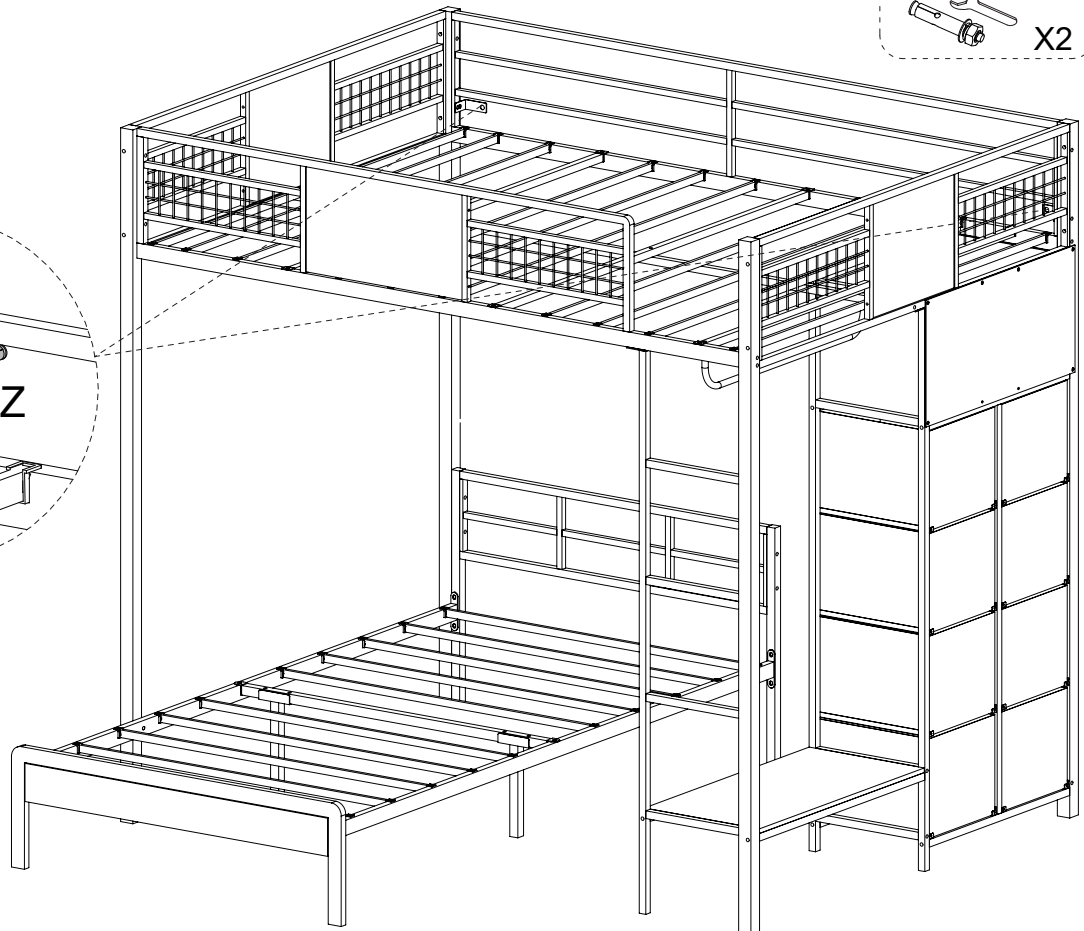
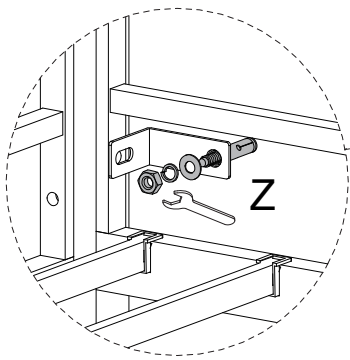
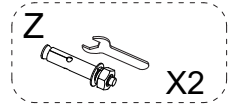
Assembly Instruction

37



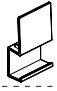
Please lock the expansion screw onto the wall.

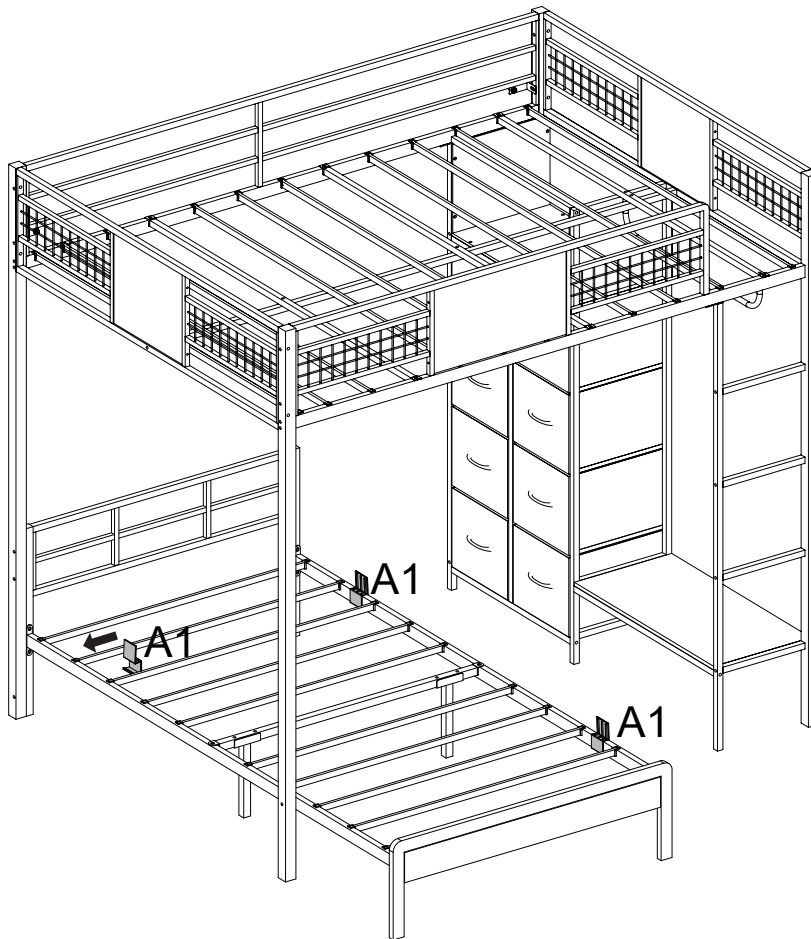
38



Assembly Instruction

39

A1  X3



40

