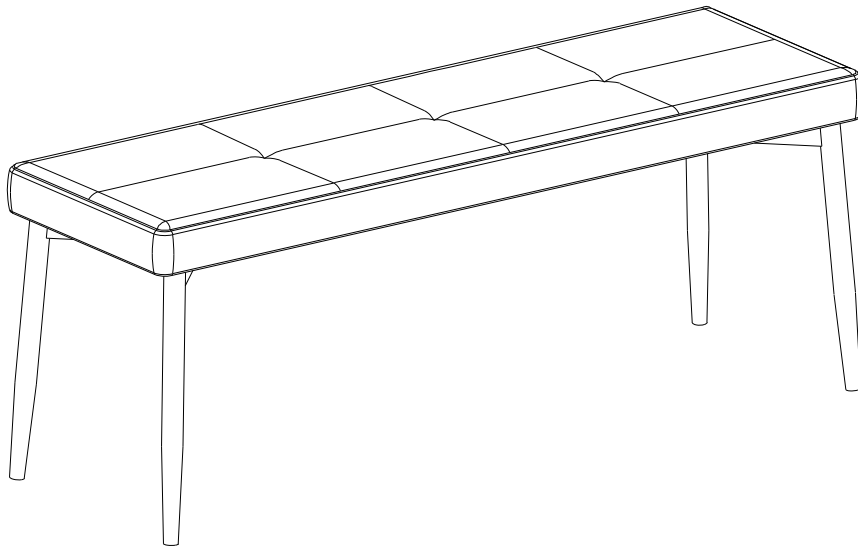


ASSEMBLY INSTRUCTION

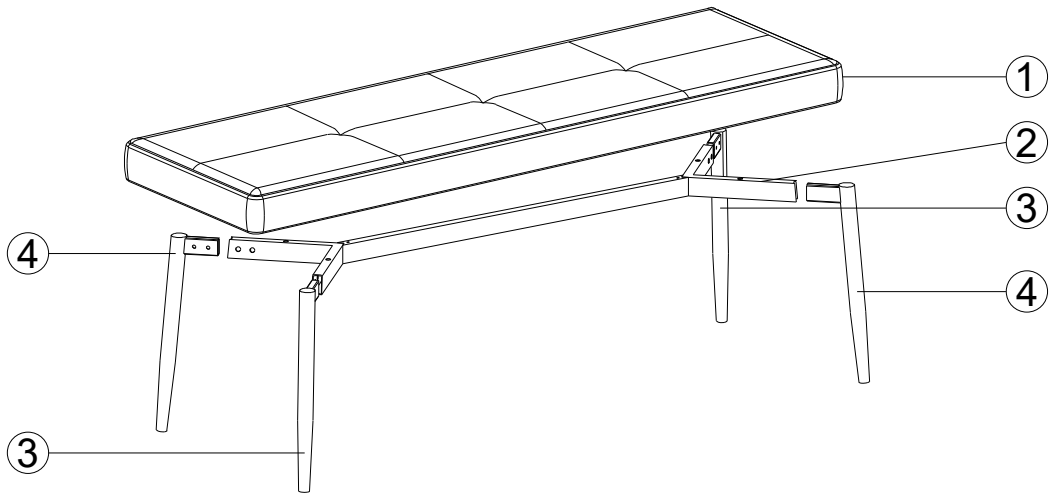
Dining Bench

N752P186169G



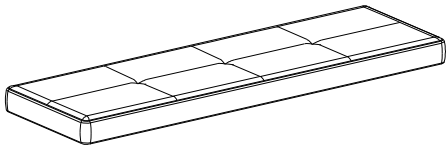
IMPORTANT NOTE:

1. Place all parts on a clean and smooth surface such as a rug or carpet to avoid the parts from being scratched.
2. Before you begin, kindly follow the assembly instructions step by step.
3. Do not tighten all screws and bolts until the bench is fully set-up.
4. Please do not return to store, contact the seller if you have any troubles with this product.

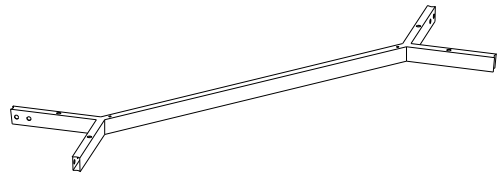


Part List

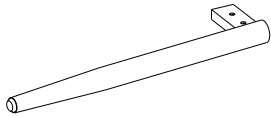
① X1



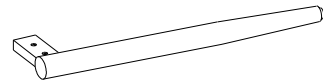
② X1



③ X2



④ X2



Hardware List

Ⓐ



BOLT(8pcs)

Ⓑ



BOLT(8pcs)

Ⓒ



BOLT(4pcs)

Ⓓ



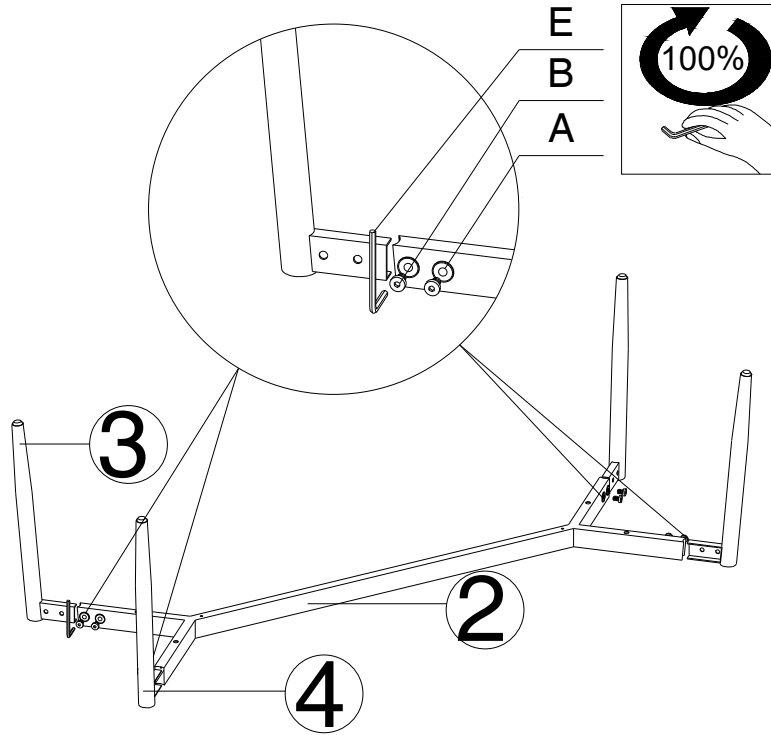
BOLT(4pcs)



Ⓔ




BOLT(1pcs)

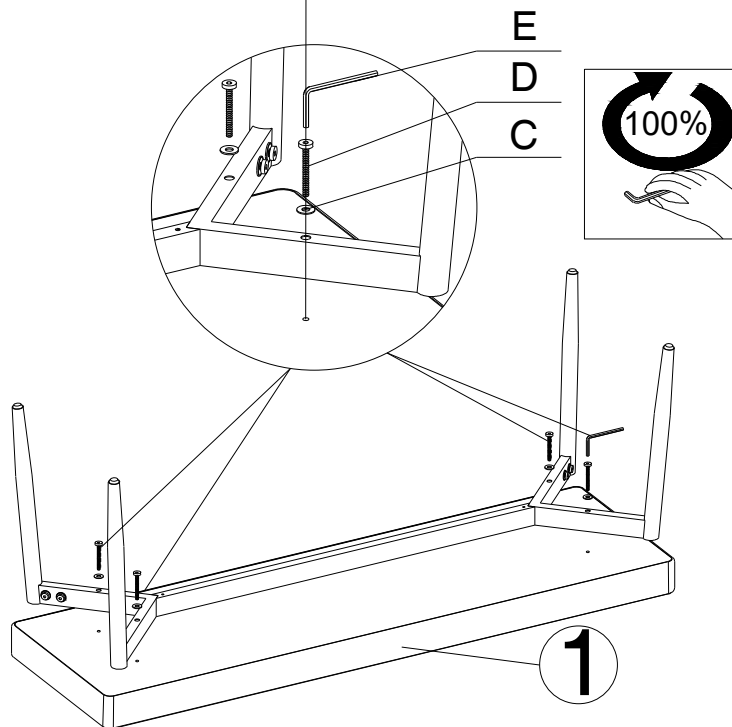
Step 1






A		8pcs
E		1pcs

B		8pcs
---	---	------

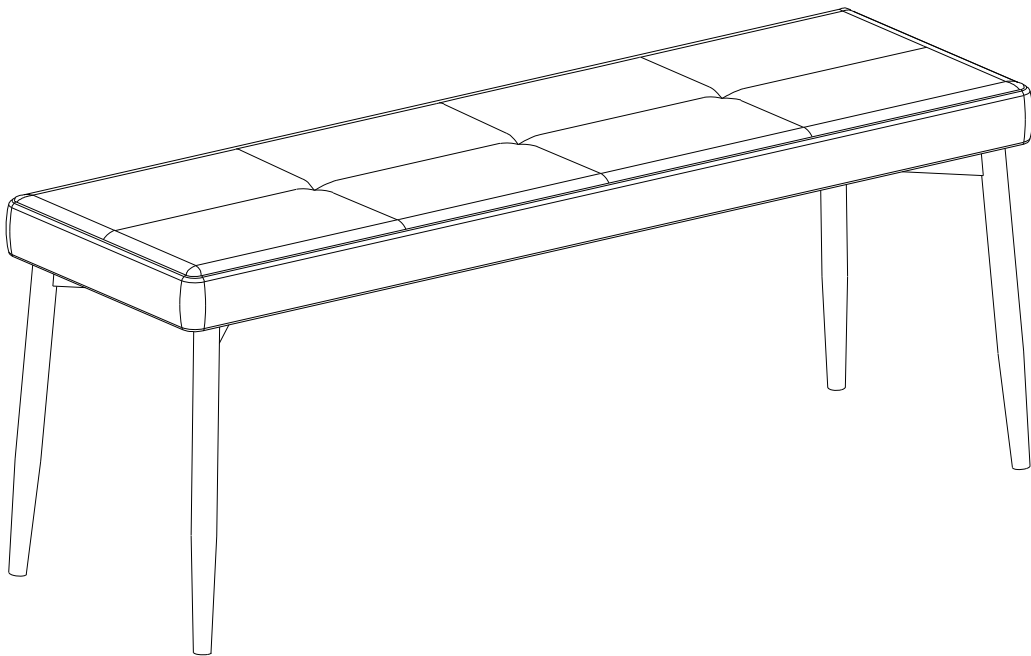
Step 2



C		4pcs
E		1pcs

D		4pcs
---	---	------

Step 3



Please Note: The foot pegs on the chair are adjustable.