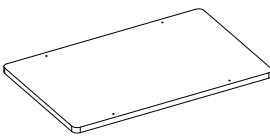
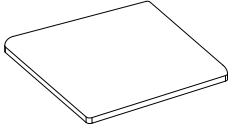
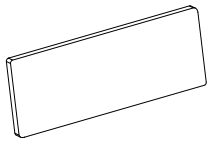
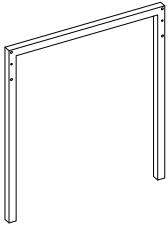
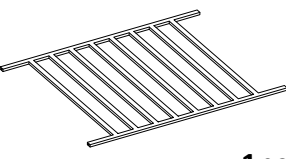
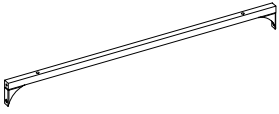
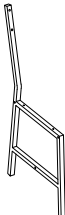
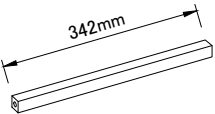
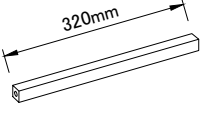
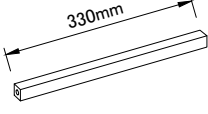
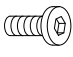
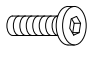
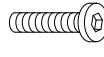
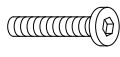
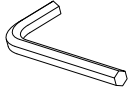


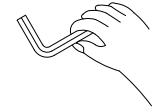
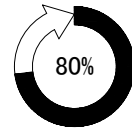
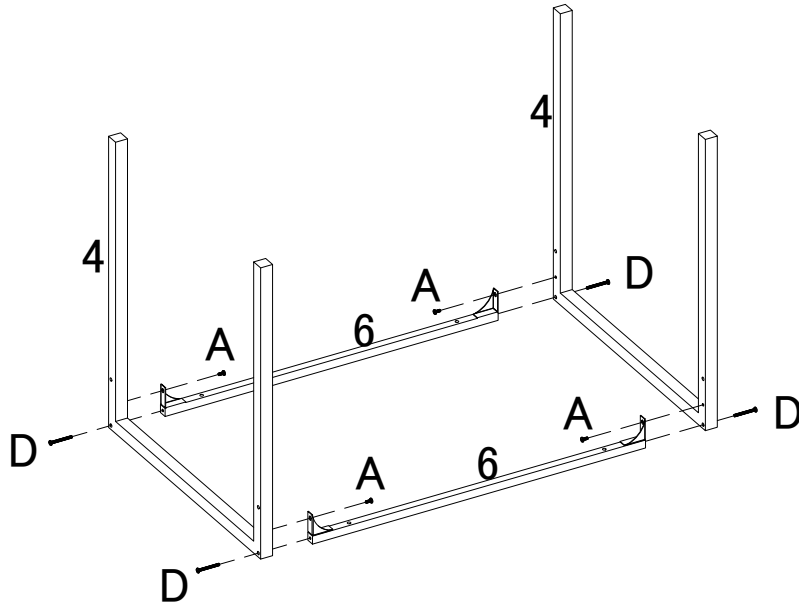


**Please don't tighten the screws completely
and go back later for a final tightening of all the
screws after pieces are aligned with each other.**

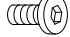
Assembly Instructions

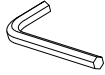
<p>1</p>  <p>1pc</p>	<p>2</p>  <p>4pcs</p>	<p>3</p>  <p>4pcs</p>	<p>4</p>  <p>2pcs</p>
<p>5</p>  <p>1pc</p>	<p>6</p>  <p>2pcs</p>	<p>7</p>  <p>8pcs</p>	<p>8</p>  <p>4pcs</p>
<p>9</p>  <p>4pcs</p>	<p>10</p>  <p>4pcs</p>		
<p>A</p>  <p>M6*12mm</p> <p>4pcs</p>	<p>B</p>  <p>M6*30mm</p> <p>4pcs</p>	<p>C</p>  <p>M6*38mm</p> <p>56pcs</p>	<p>D</p>  <p>M6*50mm</p> <p>8pcs</p>
<p>E</p>  <p>1pc</p>			

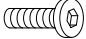
1



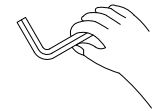
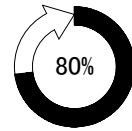
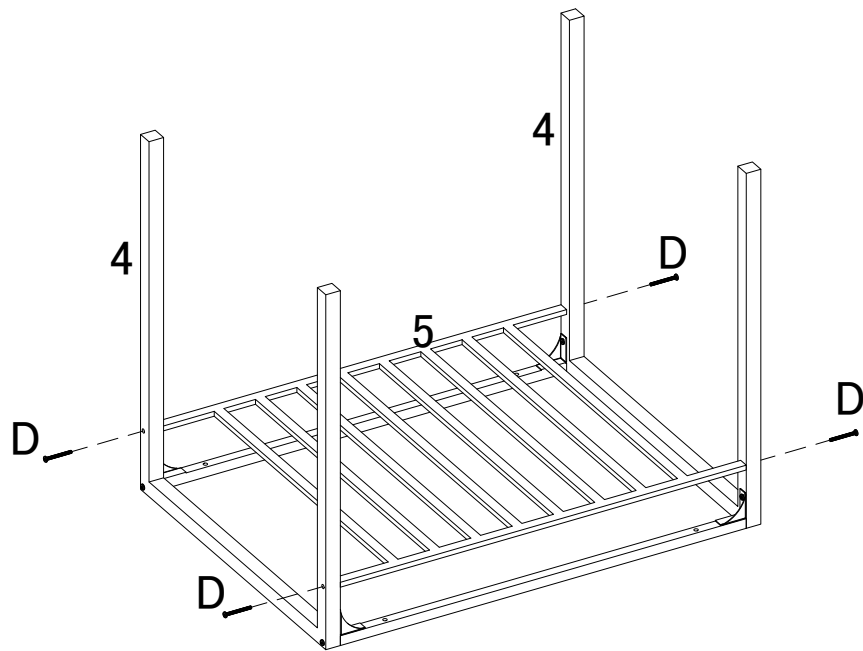
Do not tighten
the screw
completely

A	M6*12mm Screw
	4PCS

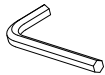
E	
---	--


D	M6*50mm Screw
	4PCS

2

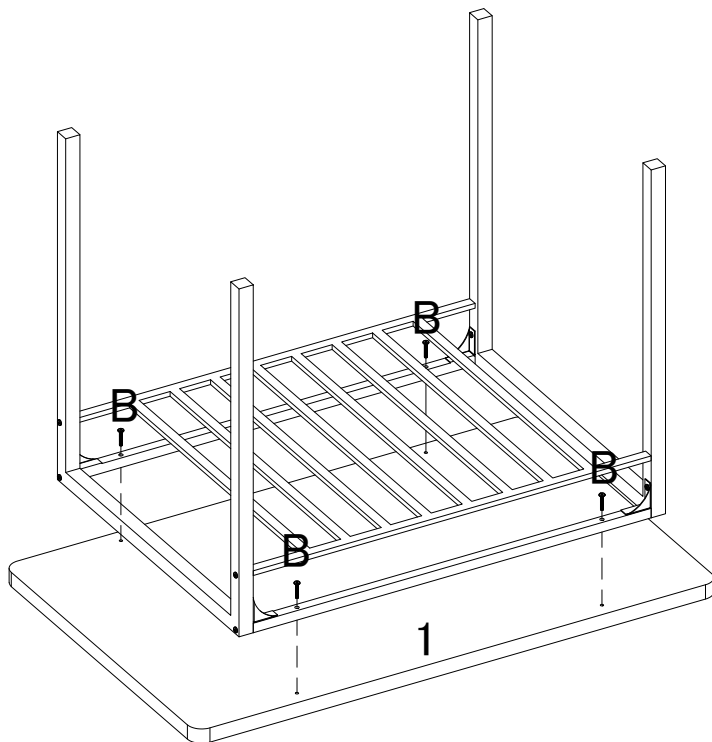


Do not tighten
the screw
completely

E	
---	--

D	M6*50mm Screw
	4PCS

3



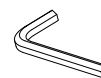
Tight all screws 100%

B M6*30mm Screw

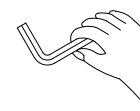
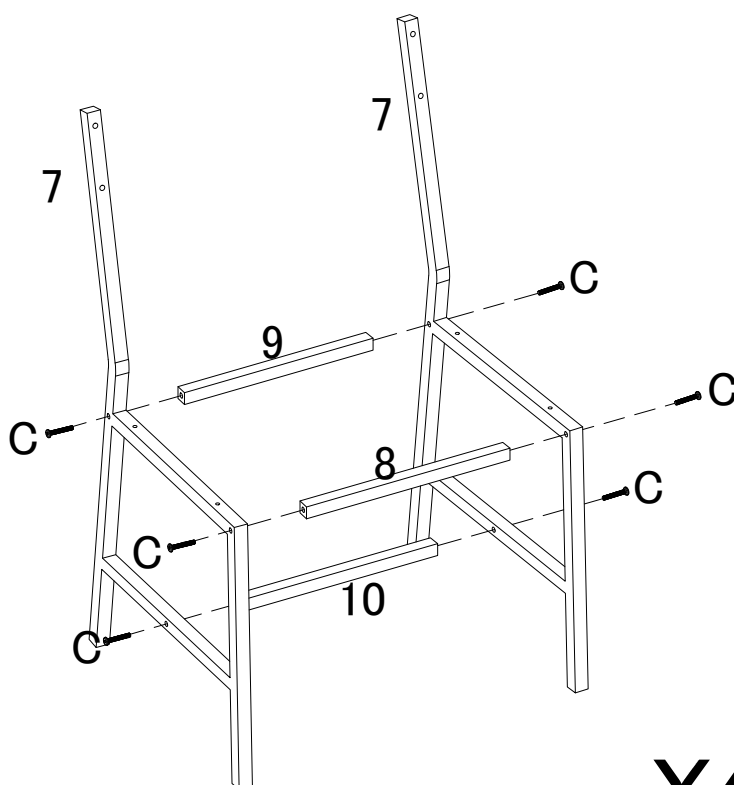


4PCS

E



4



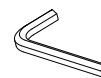
Do not tighten the screw completely

C M6*38mm Screw



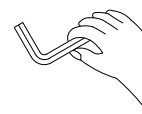
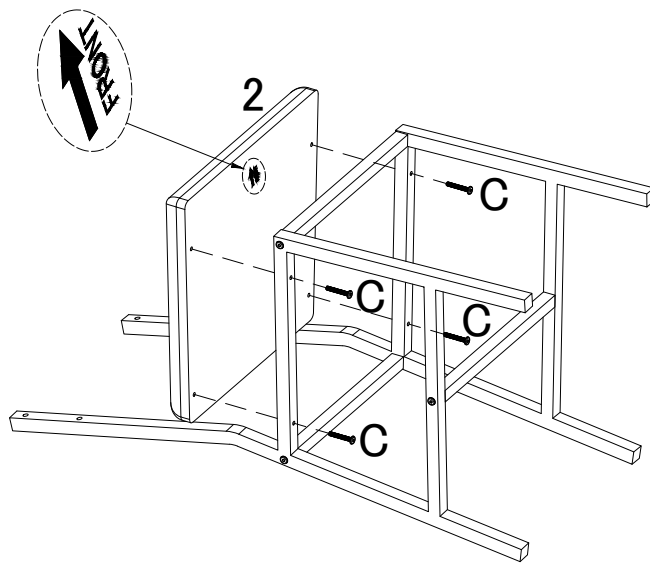
24PCS

E



X4

5

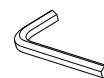


Do not tighten
the screw
completely

C M6*38mm Screw

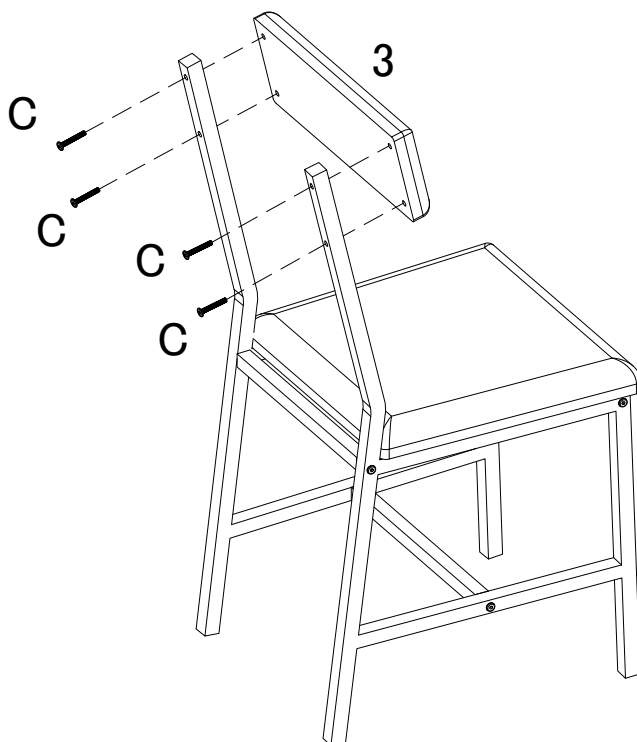


E



X4

6

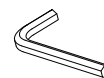


Tight all
screws 100%

C M6*38mm Screw



E



X4