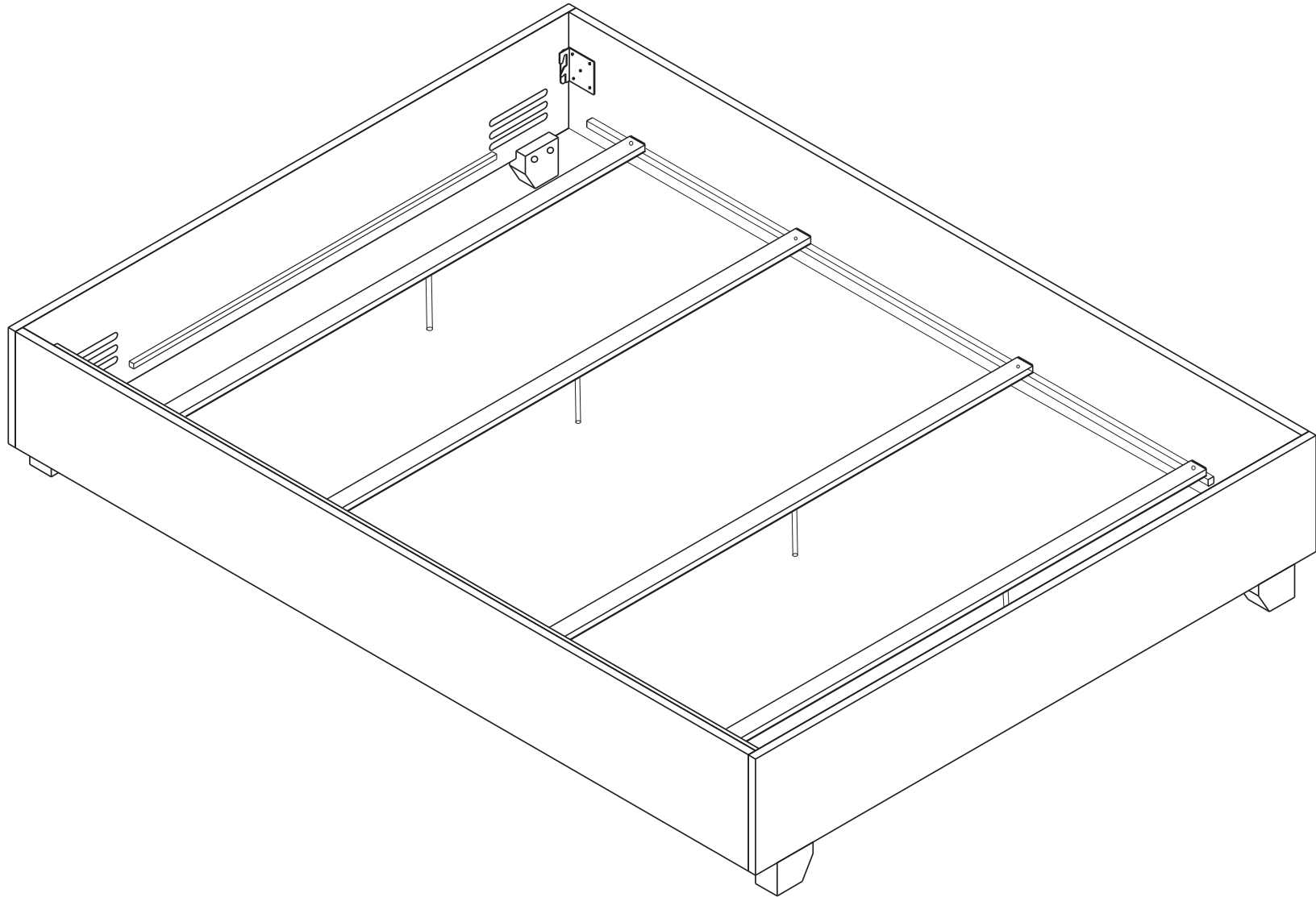


Queen Bed Frame Assembly Instructions



Republic Design House

Queen Bed Frame Assembly Instructions

NOTE: Unbox and place all parts on a clean and smooth surface (rug, carpet) to avoid the parts from being scratched or soiled.

NOTE: Follow assembly instructions step by step.

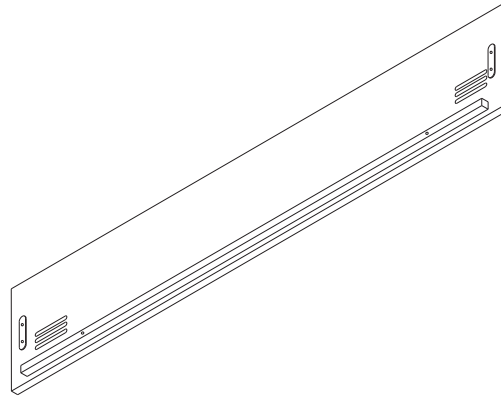
NOTE: Once the bed is assembled it does require an additional support system in way of, but not limited to, plywood deck, additional slat kit, bunkie board box spring or mattress foundation (please refer to you mattress warranty to determine the best option for a mattress support.)

Queen Bed Frame Assembly Instructions

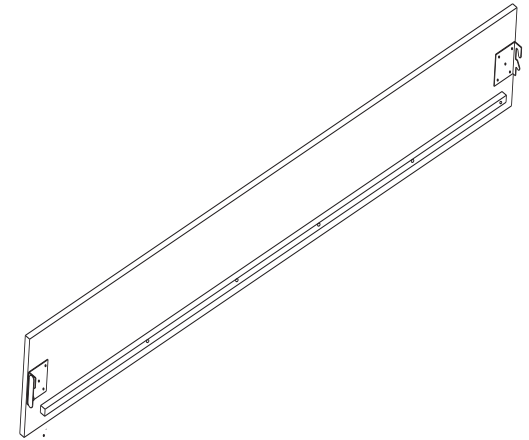
PART LIST:



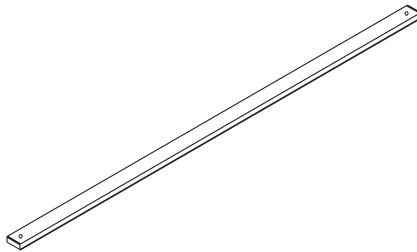
1 Footboard 1pc



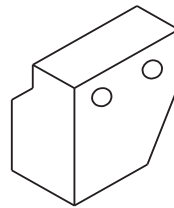
2 Backboard 1pc



3 Siderails 2pcs



4 Slats 4pcs




5 Legs 4pcs







6 Support Legs 4pcs

Queen Bed Frame Assembly Instructions

HARDWARE LIST:

LABEL	PICTURE	DESCRIPTION	QTY	LABEL	PICTURE	DESCRIPTION	QTY
A		LARGE BOLT	8	C		SMALL BOLT	8
B		ALLEN WRENCH	1	D		SML FLAT WASHER	8

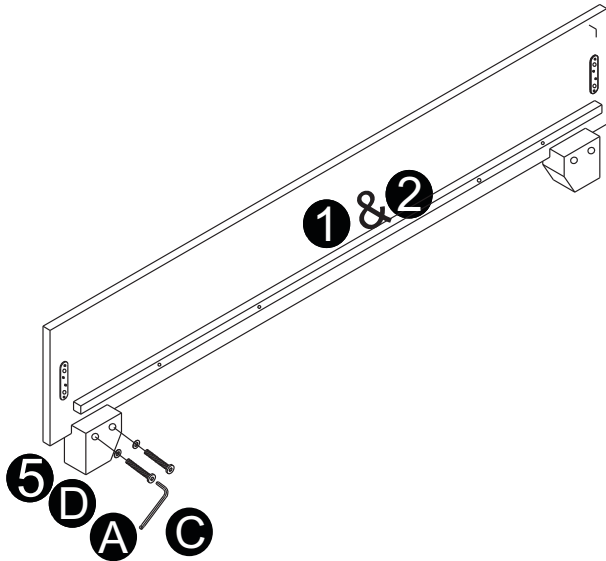
ADDITIONAL HARDWARE LIST: (Hardware to attach headboard)

LABEL	PICTURE	DESCRIPTION	QTY	LABEL	PICTURE	DESCRIPTION	QTY
E		EXTRA LARGE BOLT	4	G		NUT	4
F		WRENCH	1	H		LRG FLAT WASHER	8

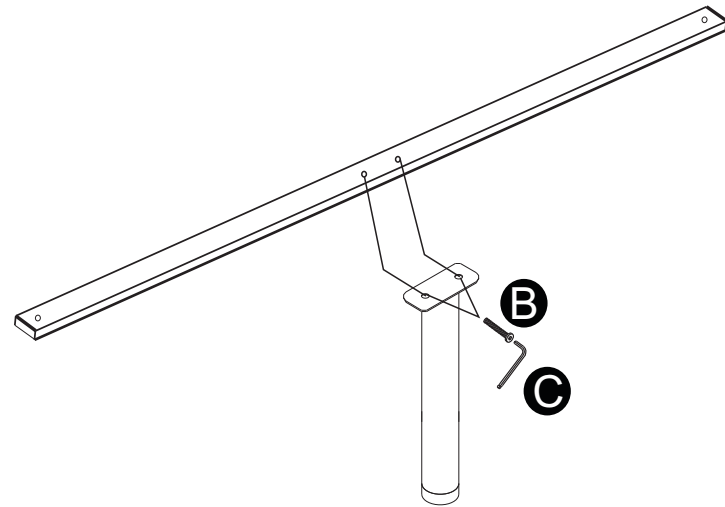
Republic Design House

Queen Bed Frame Assembly Instructions

STEP 1: Attach the two feet to both the backboard and the footboard using the 8- long bolts and 8- washers.
(See below diagram)



STEP 2: Attach the support legs to the four slats using the 8- short bolts
(See below diagram)



Republic Design House

Queen Bed Frame Assembly Instructions

STEP 3: After four legs have been attached to the footboard and backboard, support legs have been attached to the slats, attach the footboard and backboard to the side rails using the hook attachments (please note: the attachment bolts on either end of the footboard and backboard can be loosened and tightened with the allen wrench FIG.1). Loosen the attachment bolts enough to fit the hooks in (FIG.1), aligning the side rails to the footboard and backboard. Once all hooks are in place, tighten the attachment bolts,securing the four corners of the bed.
(See below diagram)

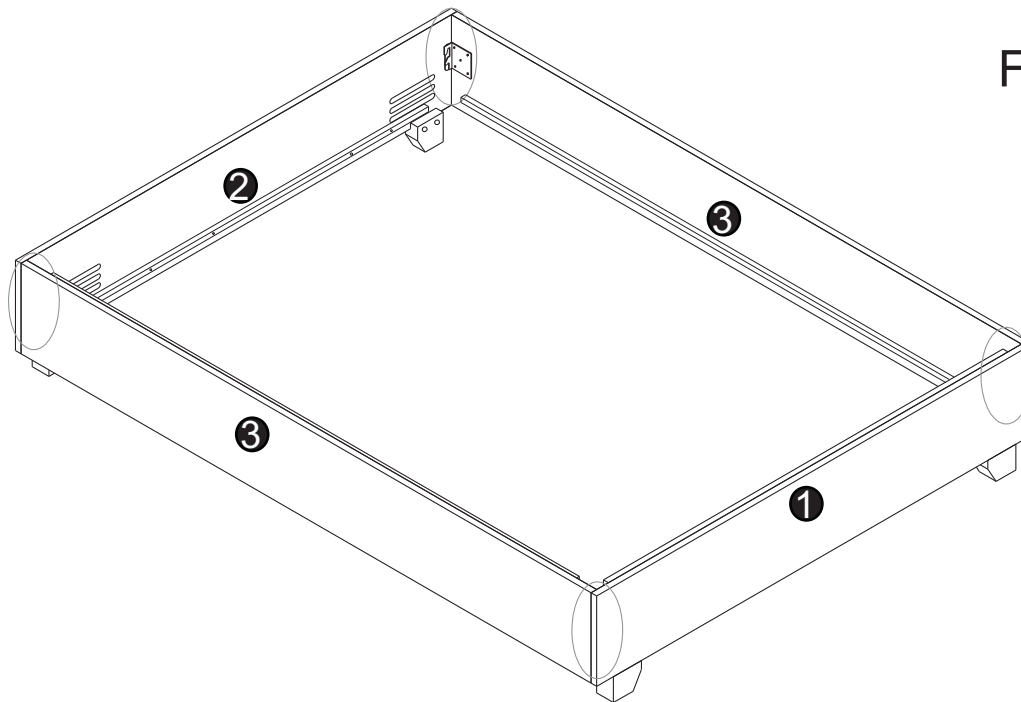
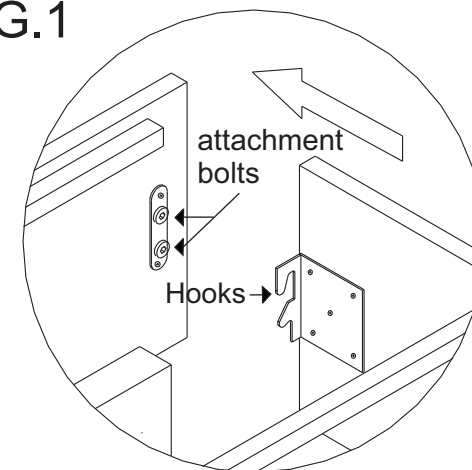


FIG.1

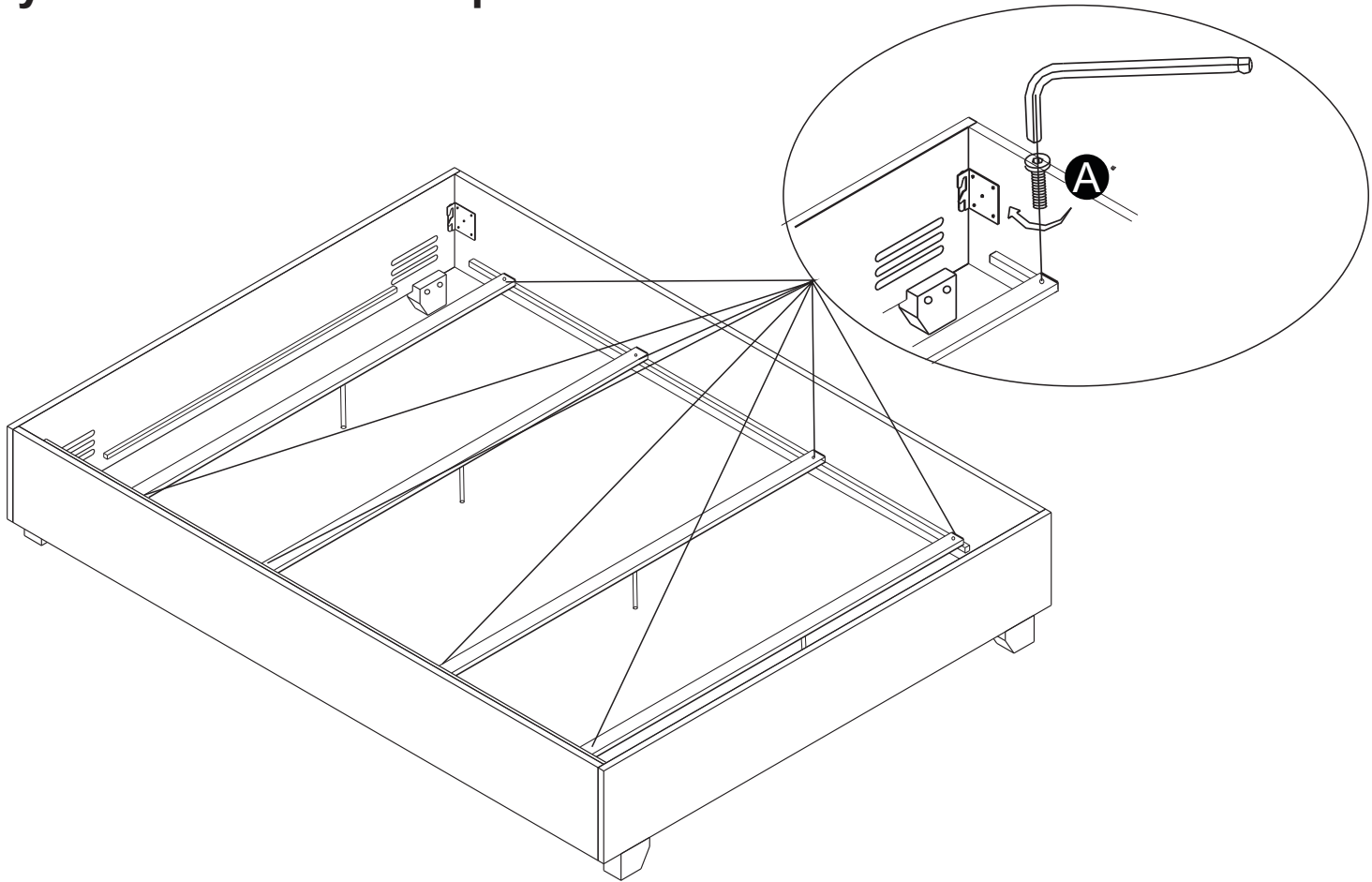


Republic Design House

Queen Bed Frame Assembly Instructions

STEP 4: Lay the 4 slats within the bed securing with the 8-long bolts.

your bed is now complete!



Republic Design House