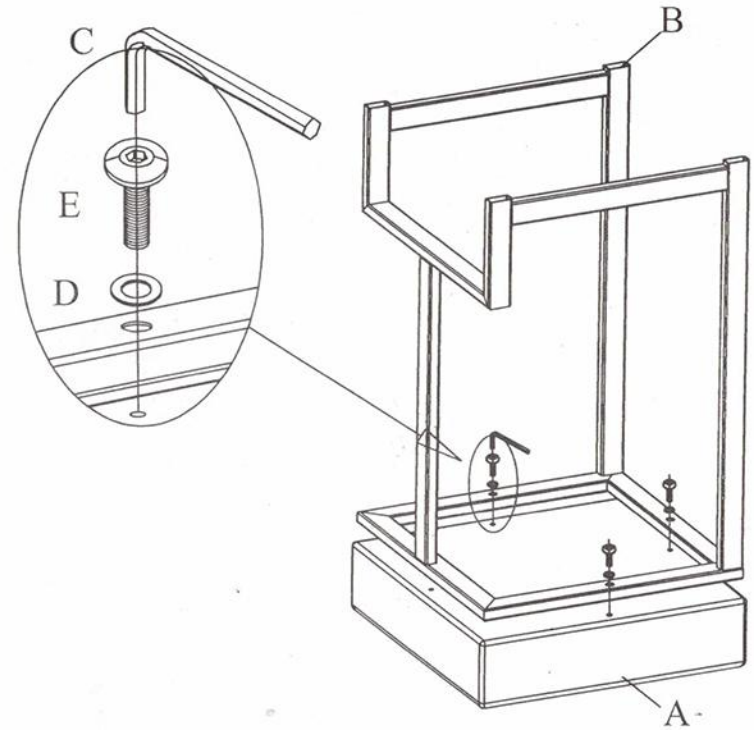
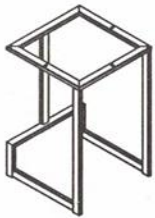


# STEP 1



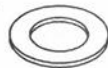
AX1



BX1



CX1



DX3



EX3