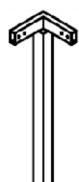

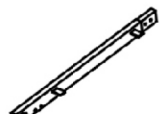

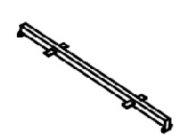
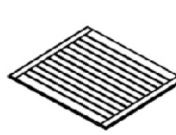


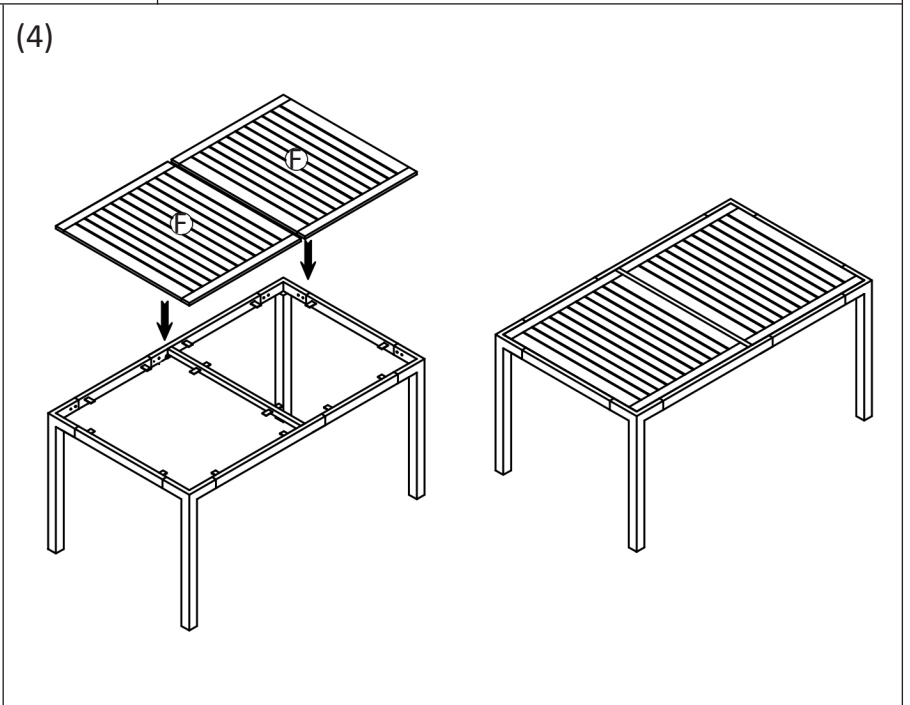
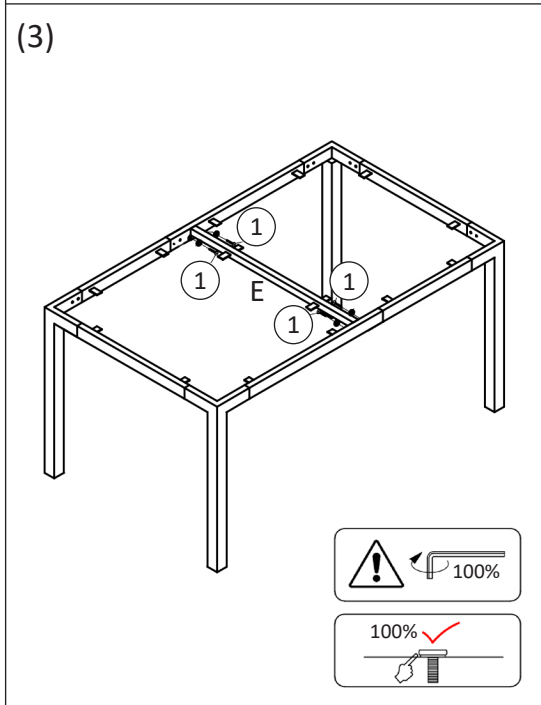
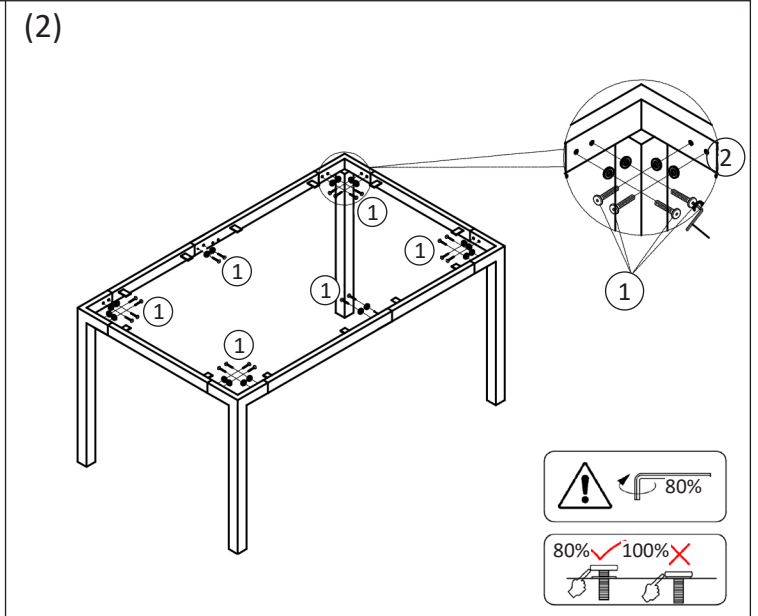
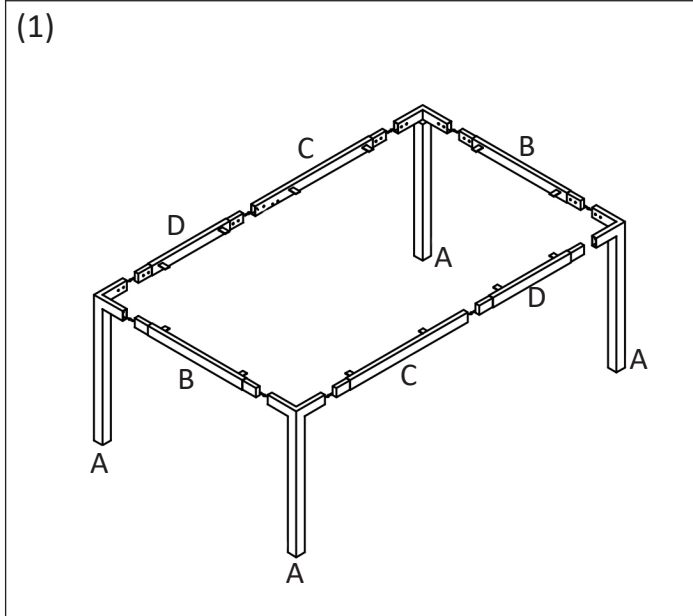
 x2 mm inch	Ax4 	Bx2 	Cx2 	Dx2 
	Ex1 	Fx2 	① x24  M6x $\frac{15}{0.6}$	②  ,01



Gx1 	Hx1 	Ix1 	Jx1 	Sx2 	① x2 M6x $\frac{60}{2.4}$
				② x12 M6x $\frac{20}{0.8}$	③ x1

