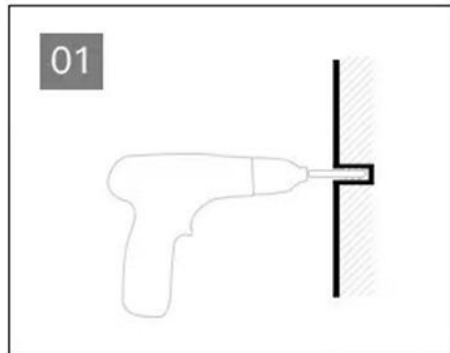
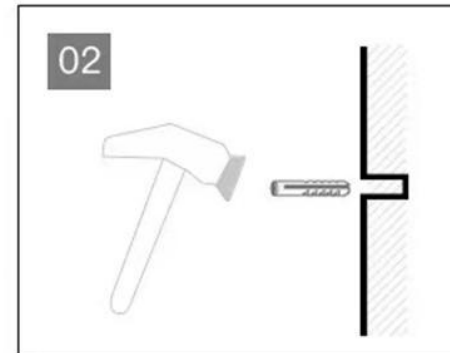


THE INSTALLATION

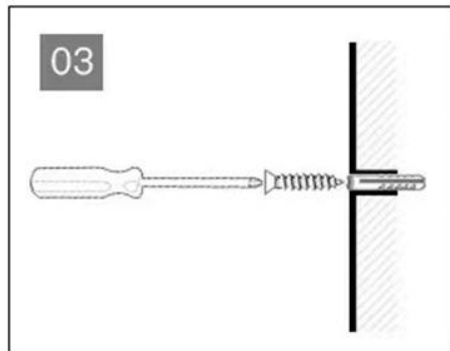
* There are two installation methods: nail-free and punching.



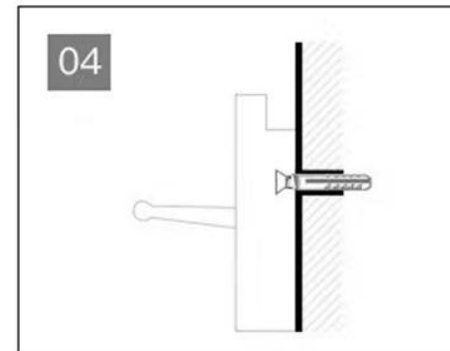
Use No. 6 drill bit, install and hang it when needed
A hole of about 4cm is inserted into the wall of the hook.



Use Hammer for expansion pipe in product accessories
Knock into the hole, and must be flat with the Wall



Screw the screw into the expansion pipe



Hook back hanging hole alignment screw hanging
Installation completed

— This product is suitable for the following walls —

APPLY TO METOPE



-Tile-



-Marble-



-Glass-



-Metal-



-Solid wood-

Nail-free installation method (please read carefully before installation)

1. Clean and dry the wall and back of the baby to ensure that the surface is free of oil/dust
2. Apply nail-free glue on the back of the product
3. Press the two adhesive surfaces gently to keep the glue evenly on the contact surface.
4. Open the wall and the back of the baby for about 1 minute for several consecutive times to speed up curing
5. The glue can be used normally after being completely cured for 36 hours

Woodware instructions

01. The taste of the first use

Because the factory packaging of the new product is relatively sealed, it will taste like wax oil/varnish/plant paint when it is just opened

They are all healthy and non-toxic. Generally, the taste will fade after ventilation for 2 days. If sensitive

You can use cold water to mix vinegar, rinse it, the taste will spread faster (do not soak).

02. Color change in soaking water

Wood products (especially dark wood) are soaked in water for a long time, which will cause a large amount of natural pigment of logs to precipitate.

Water will change color, which is a normal phenomenon; Just like natural leaves or Chinese cinnamon soaked in water, the principle is the same

If the soaking time is too long, woodware will be prone to cracking/deformation,

Therefore, we recommend that you use the running water to wash it. Do not soak it for a long time.

03. Instructions for use



- a. Can be washed by running water
- b. Do not soak for a long time
- c. Do not use in microwave ovens, ovens, and dishwashers
- d. Avoid direct sunlight
- e. Users in the North stay away from the radiator
- f. Do not use Bleacher, steel wire ball and other cleaning
- g. Prevent falling or impact