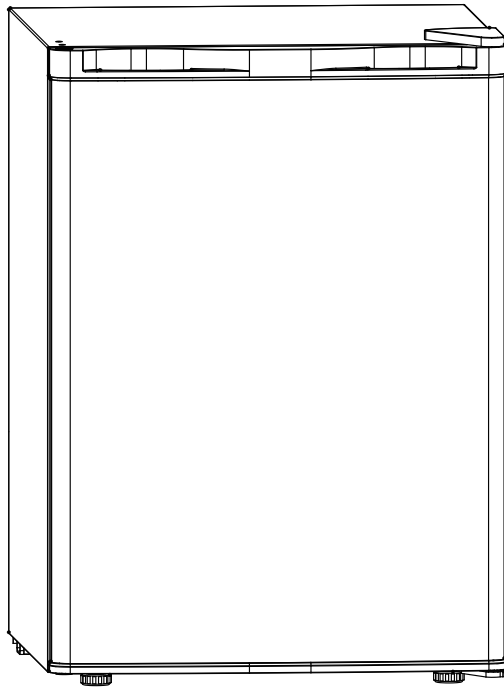


HOUSEHOLD REFRIGERATOR

User Manual



Model No.: BC-128-E

Read this booklet thoroughly before using and save it for future reference



Scan the QR code to watch the
product videos



Web: www.electacticshop.com



Email: service@electacticshop.com

Contents

Important Safety Instructions	01
Product Details	02
Installation Instructions	02
Operation Instructions	03
Clean and Maintenance	04
Troubleshooting	05

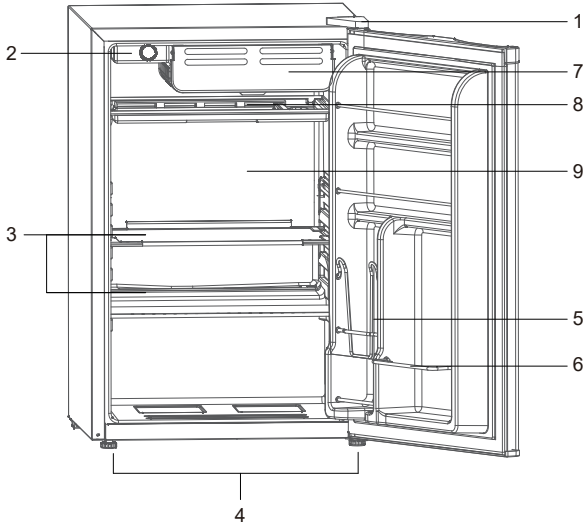
I Important Safety Instructions

1. Do not store explosive substances such as aerosol cans with a flammable propellant in this appliance.
2. Refrigerant and foaming material is flammable. Take precautions during handling, installation and maintenance.
3. Ensure that the refrigerant circuit is not damaged.
4. Keep ventilation openings clear of obstructions.
5. When positioning the appliance, ensure the electrical cord is not trapped or damaged.
6. Do not place multiple portable socket-outlets at the rear of the appliance.
7. Never unplug the appliance by pulling on the power cord. Grip the plug firmly and pull straight out to remove from wall socket.
8. Do not place the power cord near water or where it could be a tripping hazard and do not use a damaged power cord.
9. Ensure that the power cord is not near the compressor of the Refrigerator.
10. Do not use an extension cord.
11. Do not defrost with electrical devices or scrape the ice with sharp tools.
12. Children should be supervised to ensure that they do not climb on or play with the appliance.
13. This appliance is not intended for use by persons (including children) with reduced physical sensory or mental capabilities, or lack of experience and knowledge, unless they have been given supervision or instruction.

Safe Disposal

- **Danger:** Prevent risk of child entrapment. Before discarding the Refrigerator, remove the door but leave shelves in place so that children may not easily climb inside.
- Please dispose of this appliance in accordance with local regulations.

Product Details



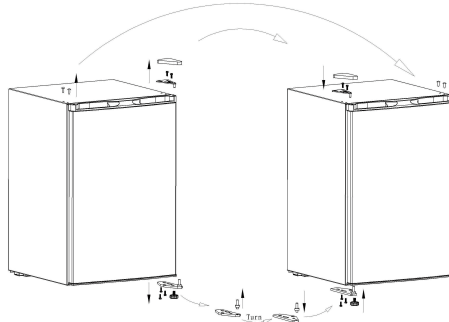
- | | |
|-----------------------------------|-----------------------------|
| 1. Top Hinge | 6. Tall-bottle Chamber |
| 2. Adjustable Temperature Control | 7. Chiller Compartment |
| 3. Removable Glass Shelf | 8. Drip Tray |
| 4. Leveling Feet | 9. Cooler Compartment |
| 5. Dispense-A-Can Chamber | 10. Lower Hinge (not shown) |

Installation Instructions

- When transporting the refrigerator, keep it in an upright position. Do not tilt the Refrigerator at an angle of more than 45°.
- Place the appliance away extreme heat and cold. It is not designed to be in direct sunlight or outside.
- Before connecting the refrigerator to power, let it stand upright for at least 4 hours.
- This appliance is equipped with a 3-wire cord with a grounding plug. Check the plug and cord before you connect the power and make sure it is a properly grounded 115/60 Hz outlet.
- The Refrigerator is designed for recessed installation.
- Place the Refrigerator on a flat level surface, leaving 2 inches (5 cm) on either side and at least 3 inches (8 cm) between back of appliance and the wall. Allow sufficient clearance (160°) for the door to open completely.
- The feet of the appliance can be adjusted to make it level.

Door Reversal Instructions

The Refrigerator is built with a reversible door which lets you open it from either the left or right side. In order to reverse the opening of the door, transfer the hinges and screws indicated in the figure below from one side to the other.



Operation Instructions

1. Clean the outside and inside of the Refrigerator with a soft cloth.
2. Insert the power cord into the outlet.
3. The temperature control dial is located at the top left corner inside the Refrigerator.
4. Turn the temperature control dial to 7, the coldest setting.
5. After 2 hours, change the dial setting to 4, which is the normal position to keep food cold.

NOTE:

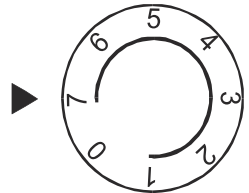
Wait to put food inside the Refrigerator until it is adequately cold.

6. The range of the refrigerator temperature control is from position "1" (warmest) to "7" (coldest). Adjust the temperature control to the setting that best suits your needs.

To turn the Refrigerator off, turn the dial setting to 0.

7. **NOTE: The following phenomena are normal**

- Sound of fluid is the compressor when it is starting or stopping
- Flowing sound of refrigerant in the refrigeration system
- Warm Refrigerator front (anti-condensation pipe heats up the front)



I Clean and Maintenance

Make sure the power cord is unplugged before moving or cleaning the back of the appliance.

Clean the outside and inside of the appliance regularly, using water and mild detergent.

Do not touch cold surfaces with wet hands, because the skin may stick to the surface.

When the Refrigerator is not going to be used for an extended period of time:

- Remove the power cord plug from the outlet.
- Remove all contents.
- Dry the interior and leave the door open.

The following phenomena are normal

- Moisture on the door- wipe with dry cloth
- Condensation forming inside the cabinet- wipe with dry cloth

I Troubleshooting

Problem	Possible Cause and Solution
Not Working	<ul style="list-style-type: none">• Check the fuse has not blown.• Check if it is plugged in correctly to the power source.
Not Cooling	<ul style="list-style-type: none">• Temperature is set too high. Lower the temperature.• Move it if near a heat source or in direct sunlight.• Check for proper ventilation and ensure that air inlet or outlet is not blocked.• Door opened frequently or not closed properly.• Check to see if door seal is damaged.• Too many items stored that are blocking internal circulation.
Too much cooling	<ul style="list-style-type: none">• Temperature is set too low. Increase the temperature.• Food is placed directly under the cool air outlets. Move the food away from the cool air outlets.
Too much noise	<ul style="list-style-type: none">• Appliance is not placed on flat surface or not level. Adjust the feet to level it.• Check if some items inside the Refrigerator are causing rattling.• Check if something has fallen behind the Refrigerator.
Door does not close properly	<ul style="list-style-type: none">• Check the door seal.• Shelves are not positioned properly. Adjust the shelves.• Items in the Refrigerator are causing an obstruction.
Defrost water overflows	<ul style="list-style-type: none">• Check that the drain pipe and drain hose are not clogged.• Check that the drain pan behind the Refrigerator is placed properly.

ROWAN ELECTRIC APPLIANCE LLC

**8:30am–5:30pm P.S.T.
Monday to Friday**