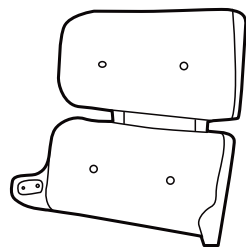
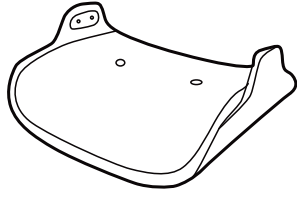
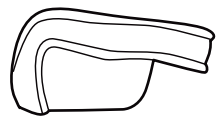
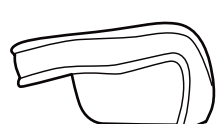
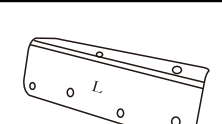
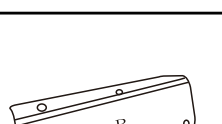
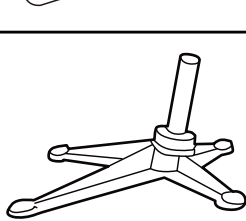
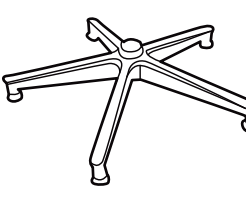
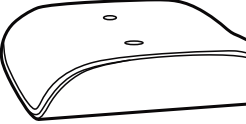
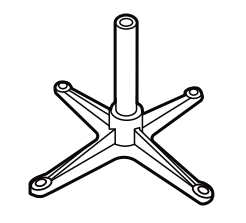
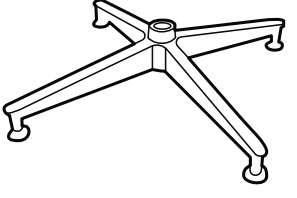
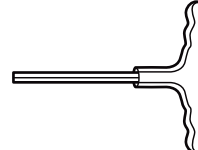
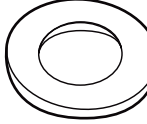
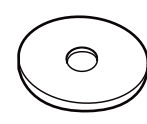
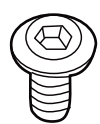
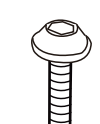
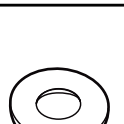

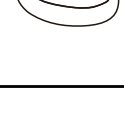
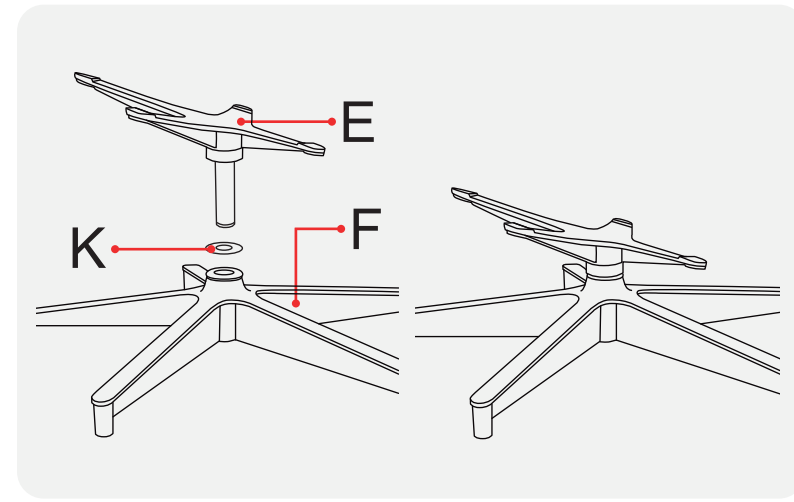
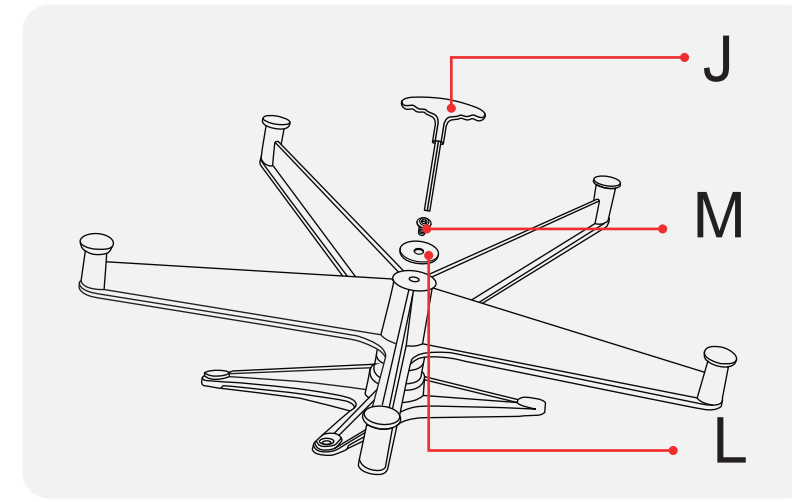


Label	Picture	Description
A	 x1	Chair Back Rest
B	 x1	Chair Seat
C1	 Left x1	Chair Arm Rest
C2	 Right x1	Chair Arm Rest
D1	 Left x1	Connecting Bracket
D2	 Right x1	Connecting Bracket
E	 x1	Chair Base
F	 x1	Five Star Metal Leg
G	 x1	Ottoman Cushion
H	 x1	Ottoman Base
I	 x1	Four Star Metal Leg
J	 x1	Hexagon Wrench
K	 x1	Transparent Gasket
L	 x1	Chair Washer
M	 x9	Hexagonal Screw M8*16
N	 x12	Hexagonal Screw M6*25
O	 x9	Chair Washer Φ16*1.5
P	 x1	Spare part: Four Star Foot Nail
Q	 x1	Spare part: Five Star Foot Nail

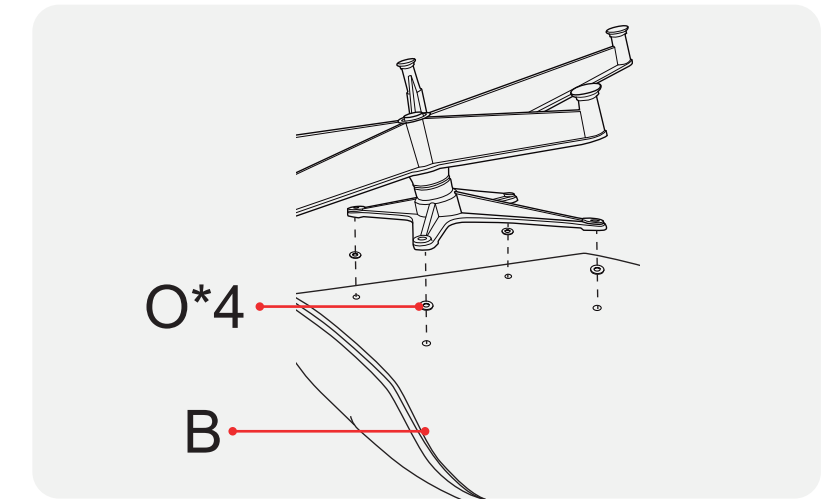
1 Five star metal leg central hole along with chair base rod, press and rotate it down to the end until tighten.



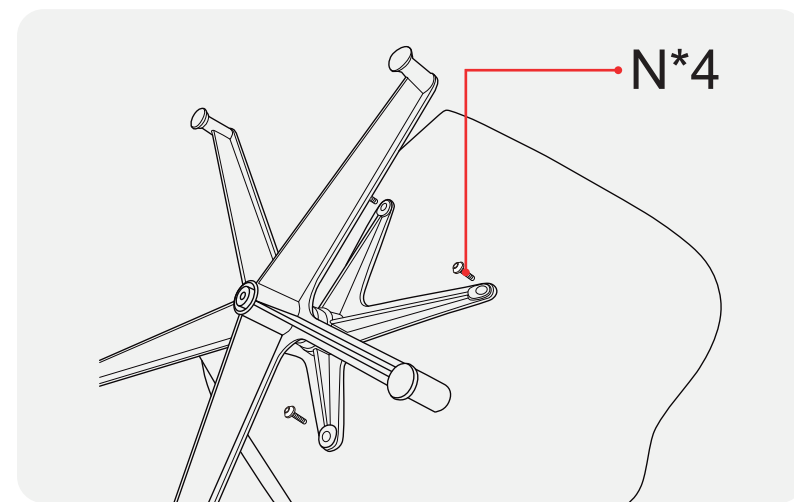
2 Put the Five star metal leg upside down, then fix the rod with screw and washer provided



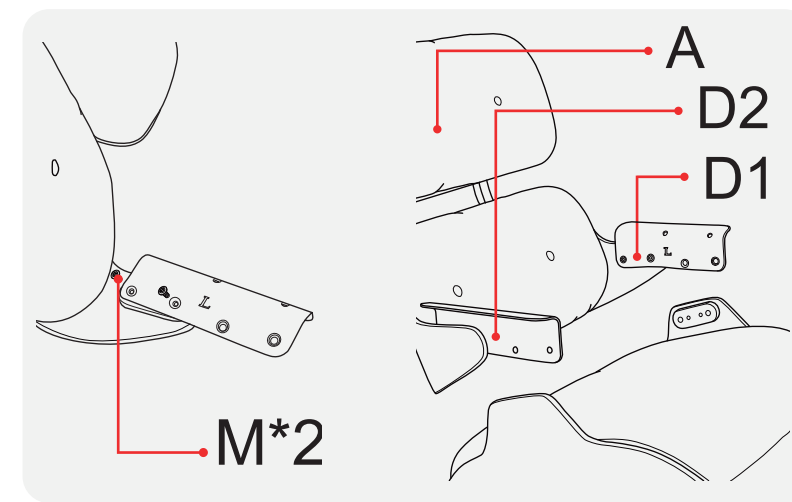
3 Install the chair base component to chair seat, please notice to put rubber pad before fixing the chair base under the chair seat.



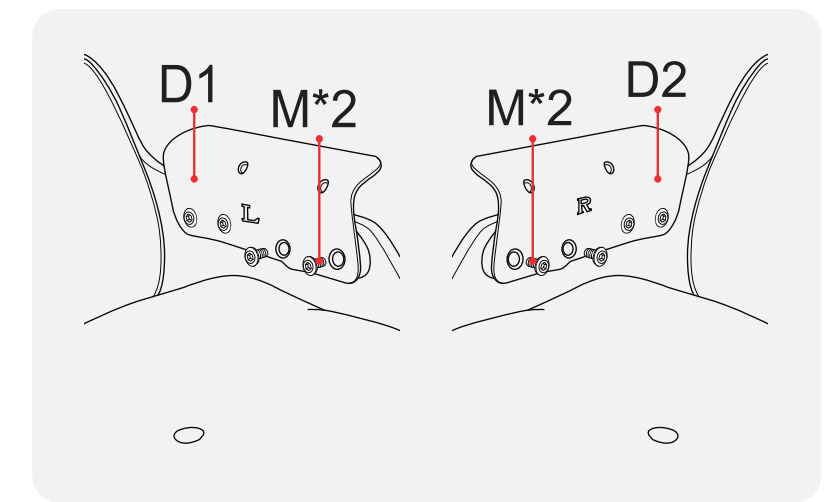
4 Fix chair base and chair seat with screws.



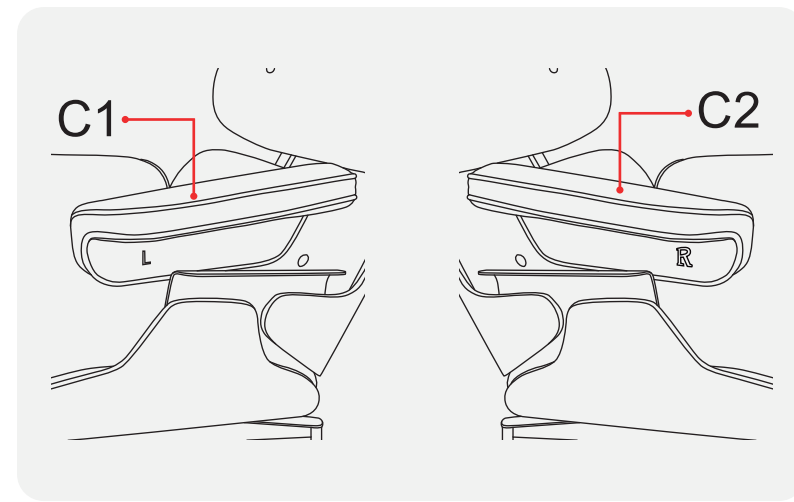
5 Install the chair back rest and seat with the connecting bracket, pre install the left and right brackets, and be careful not to fix the screws



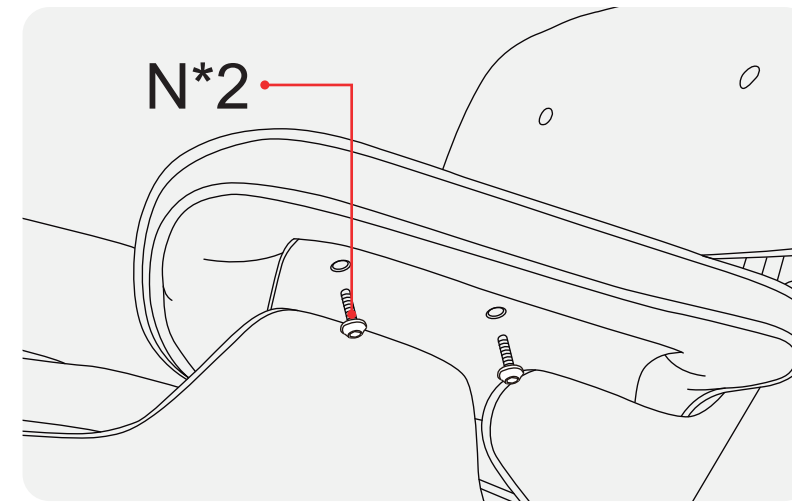
6 After adjusting the angle of the chair, fix the connecting back rest



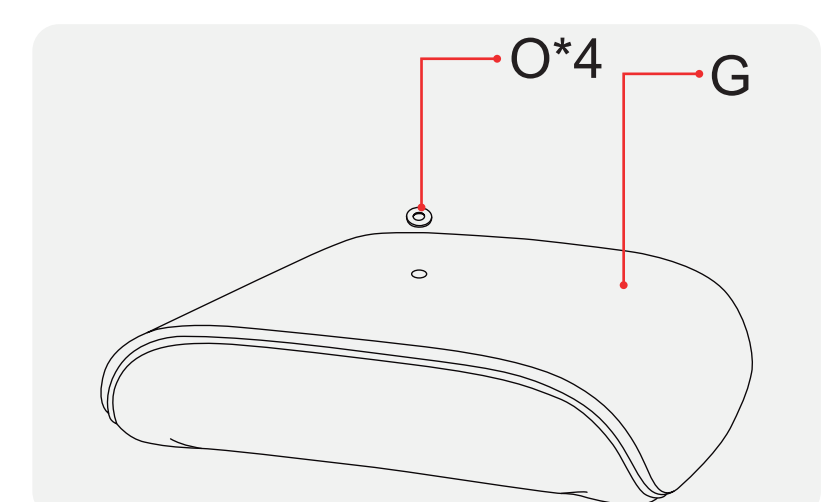
7 Install arm rest on both side



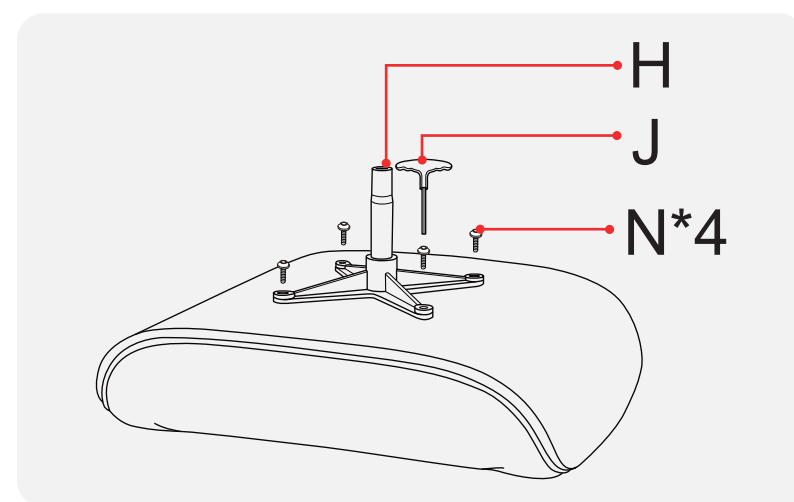
8 Tighten the arm rest with screws underneath.



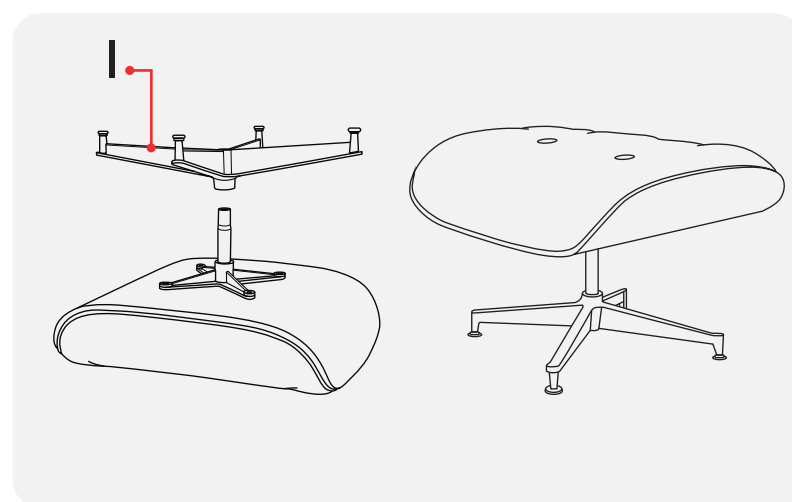
9 For the installation of the ottoman, use rubber pads to protect the bottom plate.



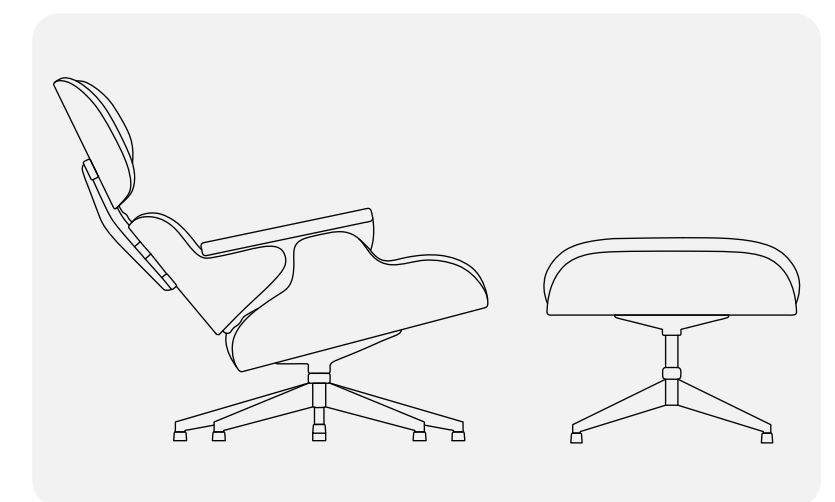
10 Refer to step 3 and 4 installation for ottoman base component setup.



11 Insert the four-star leg down into the rod till tighten, Refer step 4 in stallation for ottoman setup.



12 Follow the above steps and you will get a perfect recliner.



Note



Mid Century Lounge Chair

Installation Guide