

Features

- Audio amplifier with Bluetooth connectivity for wireless streaming of audio input.
- Reads your music or audio preferences and selections from any Bluetooth enabled device.
- Designed for use with the DTV+ digital system but can also be used as a standalone Bluetooth enabled amplifier.
- Connects with up to four Kohler SoundTile water resistant speakers (or any standard 4 or 8 ohm speakers).
- Standby mode
- User definable device name and PIN code option when used with DTV+ digital system.
- Two 3.5mm input jacks for wired audio input.
- One 3.5mm line out jack.
- Screw terminal block for two to four speakers
- One port for connection to DTV+ System Controller.
- One jack for power cord connection.

Material

- Premium material construction for durability and reliability

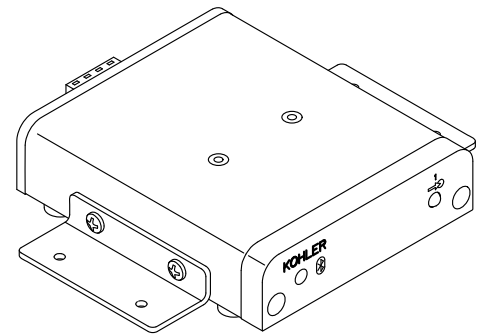
Installation

- Supplied with rubber feet for locating on a countertop or shelf or can be wall mounted (mounting bracket and screws included).

Optional Accessories

K-99693 Digital Interface
K-99694 Interface Mounting Bracket
K-99695 System Controller Module
K-8033

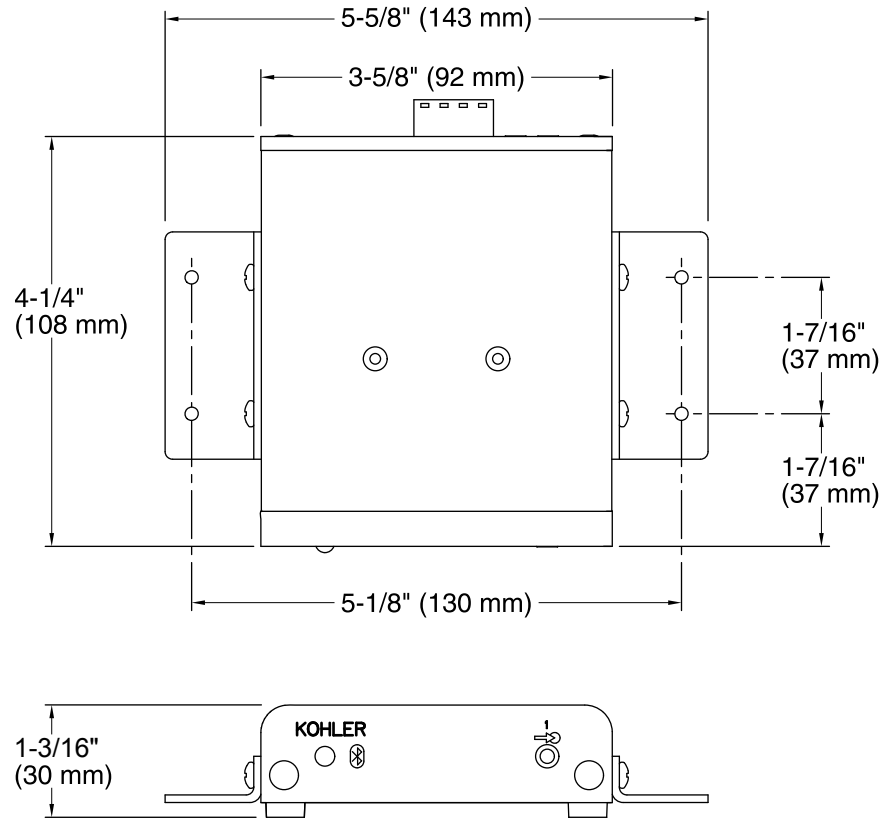
Loose component/s: Power supply with universal plug-in adapters for NA, UK, EU, SAA, 5.75 FT(1.75 M) cord, 6 FT(1.83 M) RJ45 cable, Brackets for wall mounting, Connector for speaker wires for 2-4 speakers , Screws, and Drywall anchors.



Codes/Standards

None Applicable

See website for detailed warranty information.



Required Electrical Service

One circuit required, protected with Class A Ground-Fault Circuit-Interrupter (GFCI) or Residual Current Device (RCD).
120-240 V, 1.2 A, 50/60 Hz

Technical Information

All product dimensions are nominal.

Notes

Install this product according to the installation guide.

CAUTION: Risk of product damage. Do not install near heat sources (such as radiators or heat registers) or in any location where the temperature may exceed 104°F (40°C).

This product is not water-resistant. Do not install in a location where excessive moisture, high humidity levels, or condensation are present.

Provide a minimum of 6" (152 mm) of space around the amplifier for proper air flow.

Provide unrestricted service access to the amplifier.

Locate the amplifier within close proximity to a 15 A 120 V electrical outlet. A GFCI outlet may be required in certain applications.

Amplifier allows 2-speaker or 4-speaker stereo output. Determine the amplifier and speaker locations, allowing adequate reach for wires.