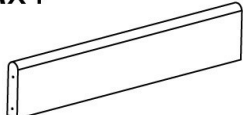
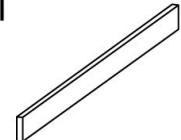
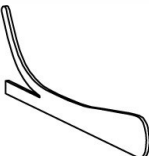



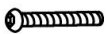

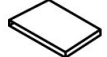


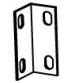




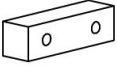


Ax1 	Bx1 
Cx2 	Dx1 
Ex22  (8*25)	Fx1 
Gx18  (8*50)	Hx1 
Ix24 	Jx24 
Kx4  (5*50)	Lx4 
Mx2 	Nx2 
Ox4 	Px12 
Qx4 	Rx2 