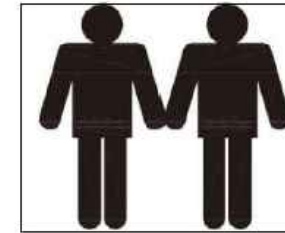


Assembly Instruction

Note:

- 1. Should be assembled on flat ground to keep balance.**
- 2. Before completing the installation, do not tighten the screws.**

Queen size

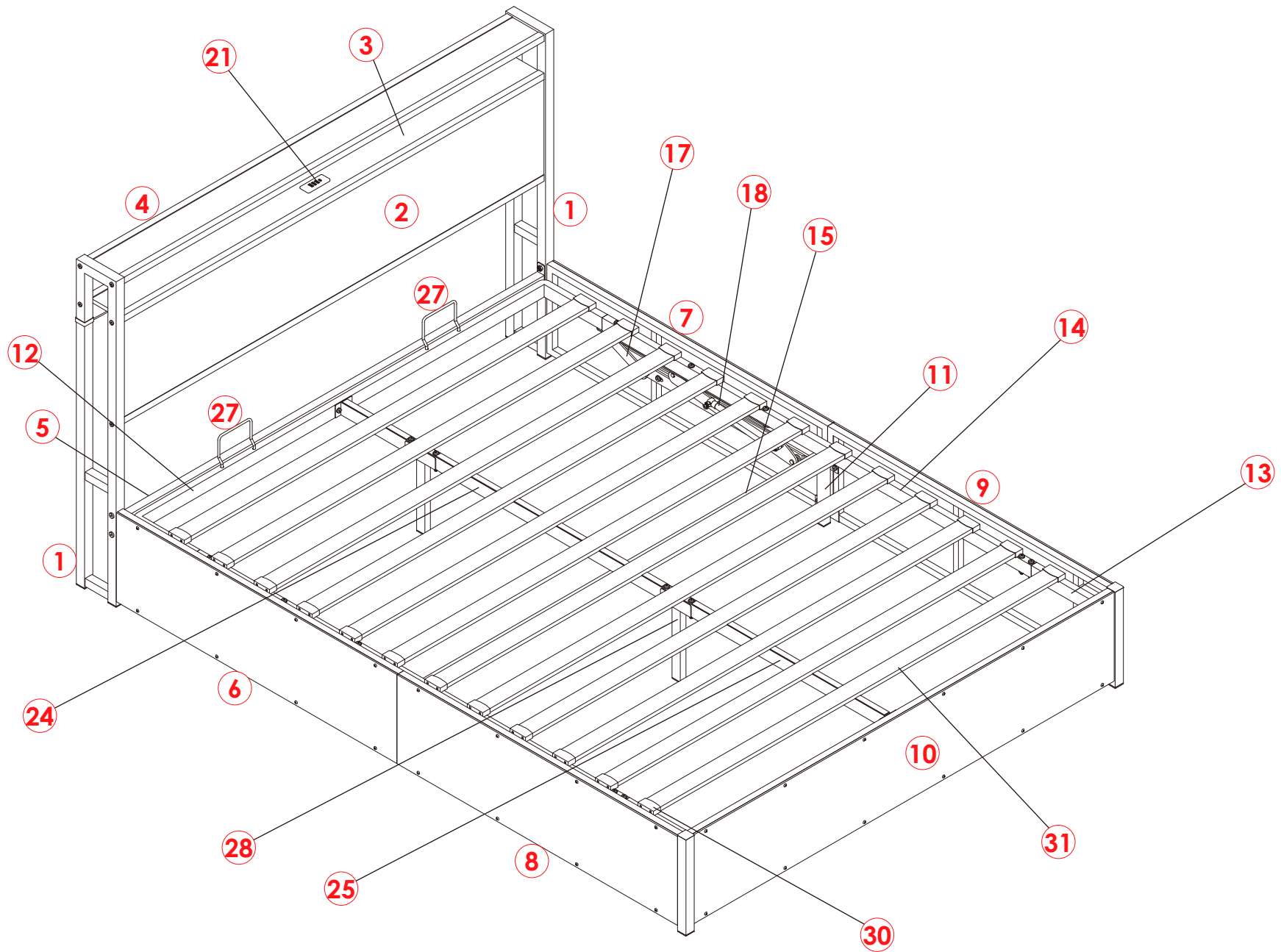


It needs at least two people to install.



Before starting the assembly, you must read the whole manual and follow the instructions

Parts List



Assembly Instruction of Bed

Hardware parts

A 1/4x45



10 PCS

B 5/16x35



8 PCS

C 5/16x45



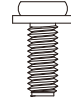
8 PCS

D 1/4x10



4 PCS

E 5/16x19



28 PCS

F 5/16x55



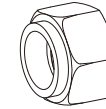
14 PCS

G M3x10



2 PCS

H 5/16



18 PCS

I M4



1 PC

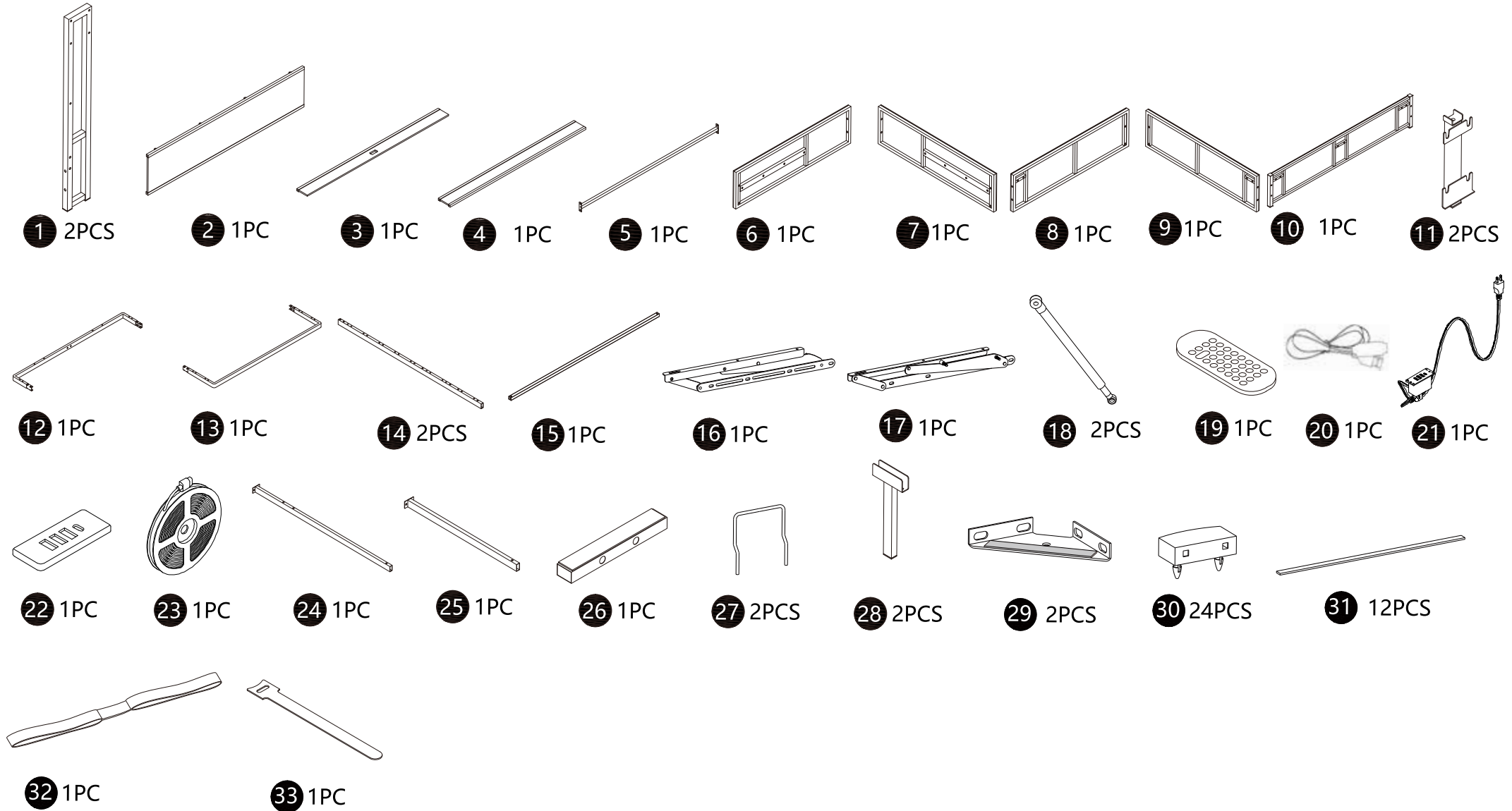
J



1 PC

Assembly Instruction of Bed

Part list



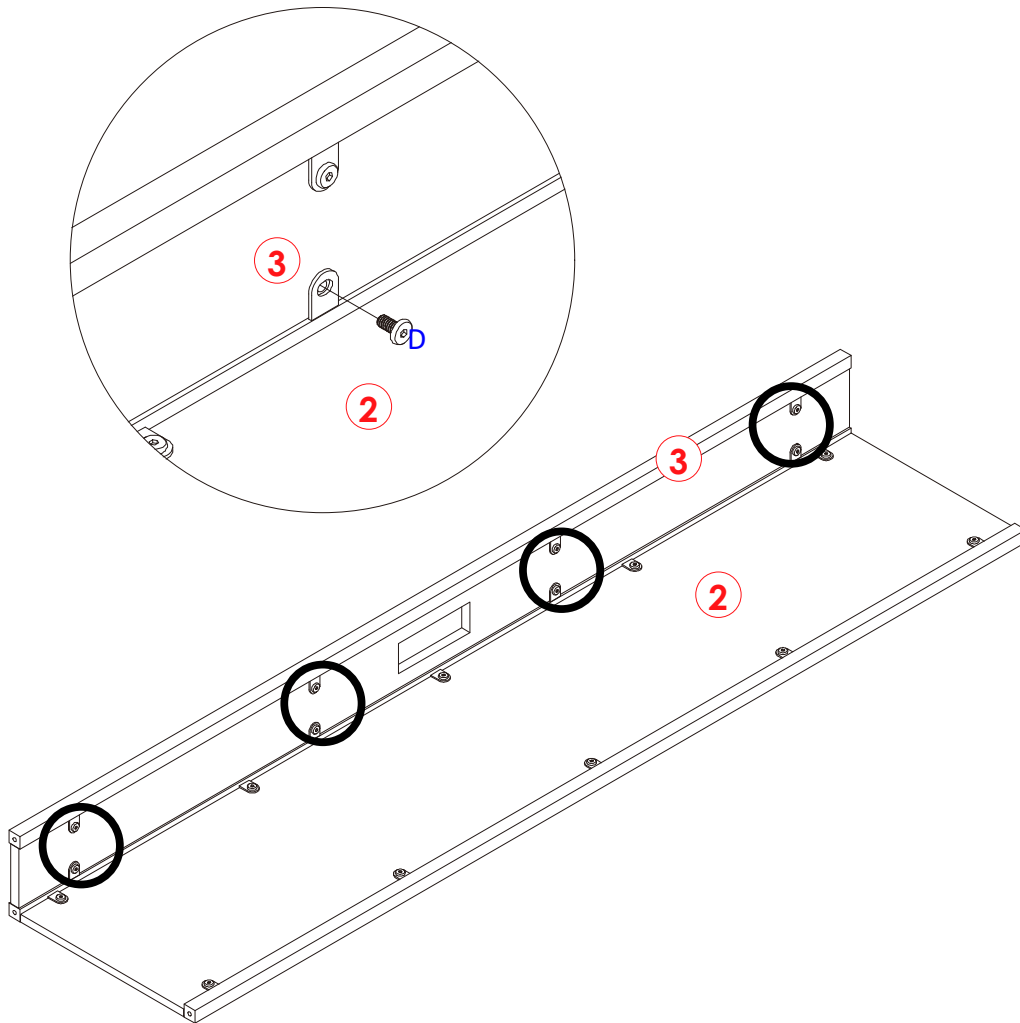
Assembly Instruction of Bed

Step:1

D 1/4X10



4 PCS

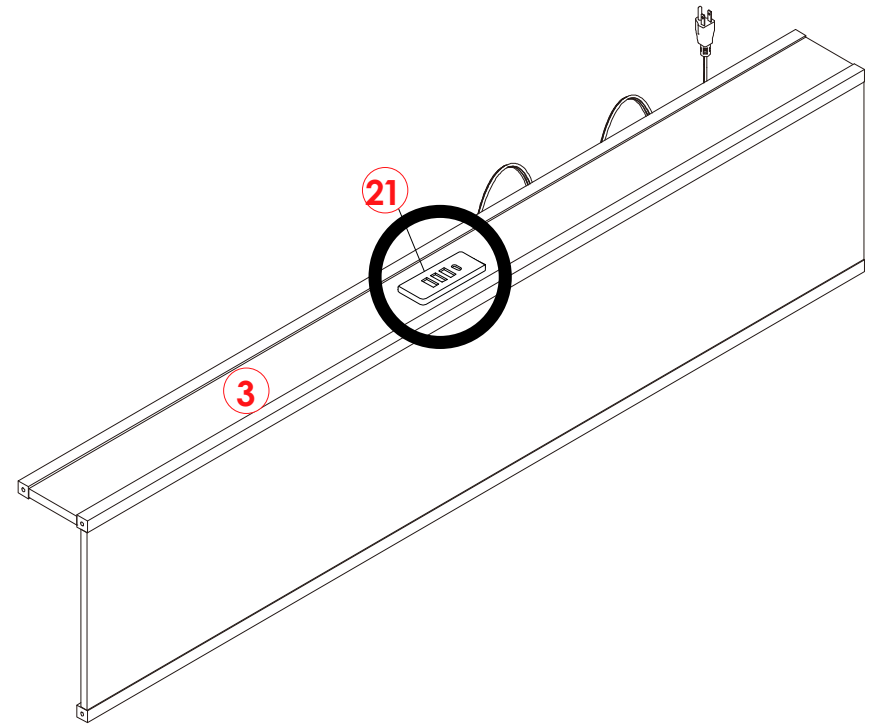
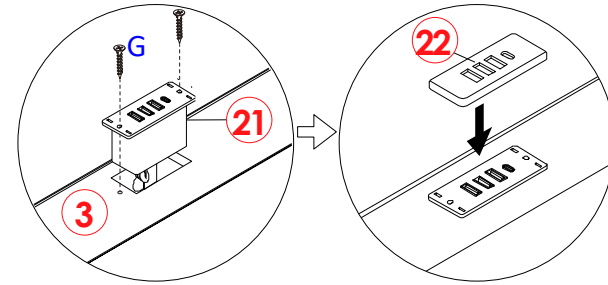


Step:2

G M3X10



2 PCS



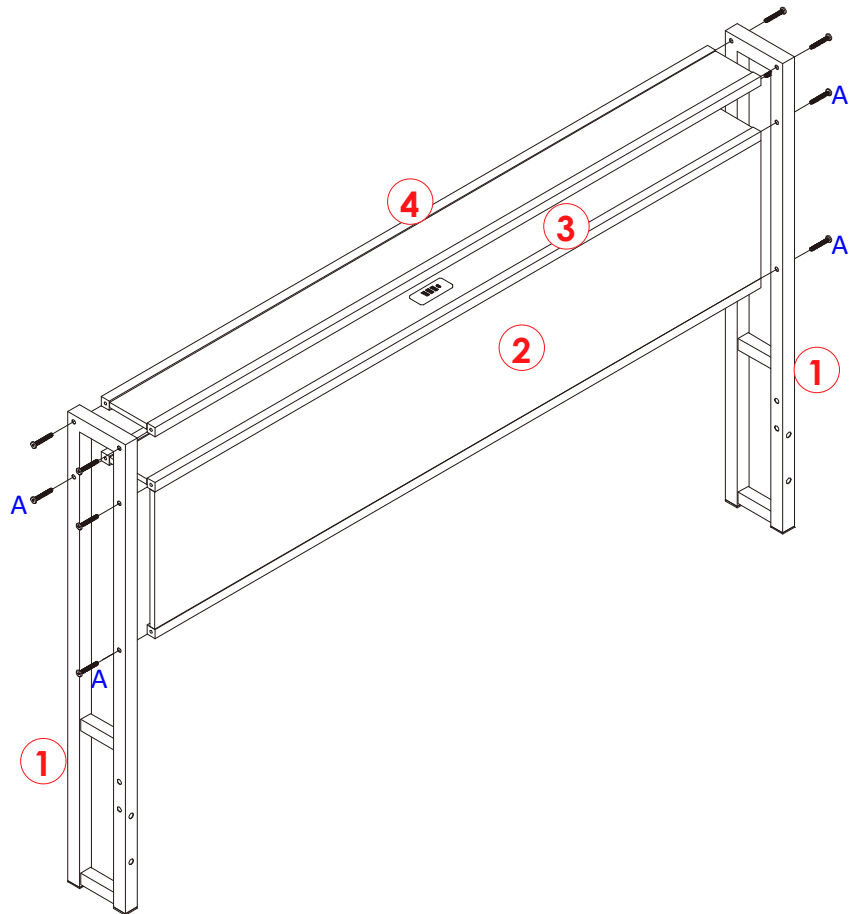
Assembly Instruction of Bed

Step:3

A 1/4x45



10 PCS



Step:4

H 5/16

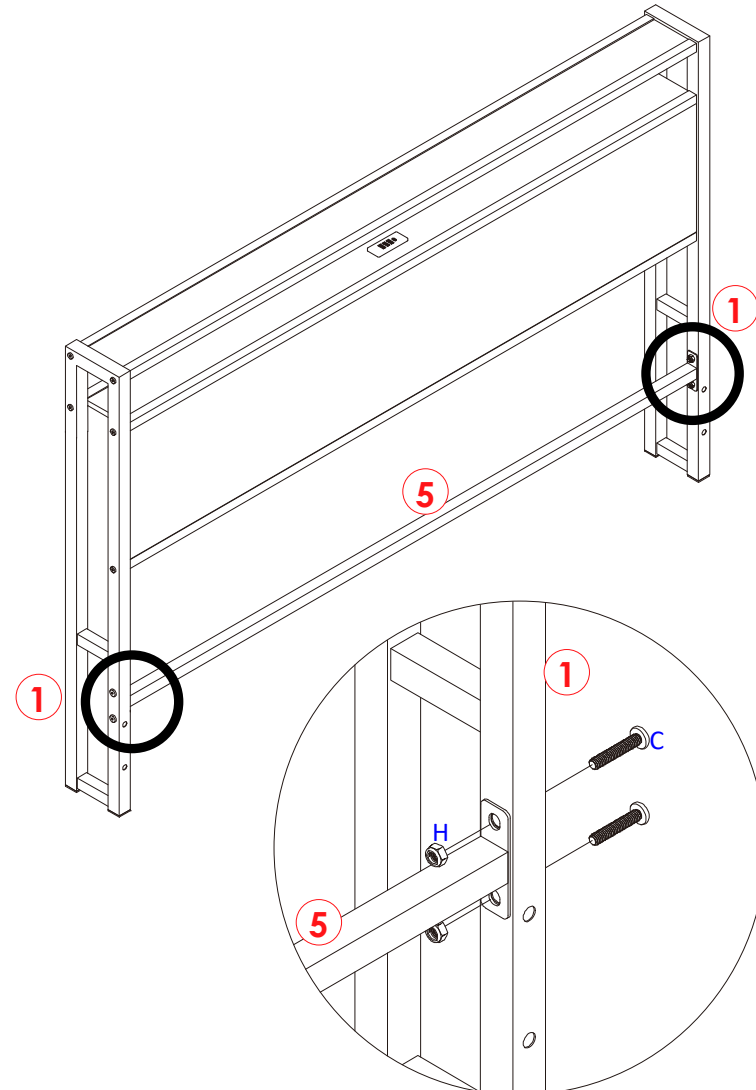


4 PCS

C 5/16X45



4 PCS



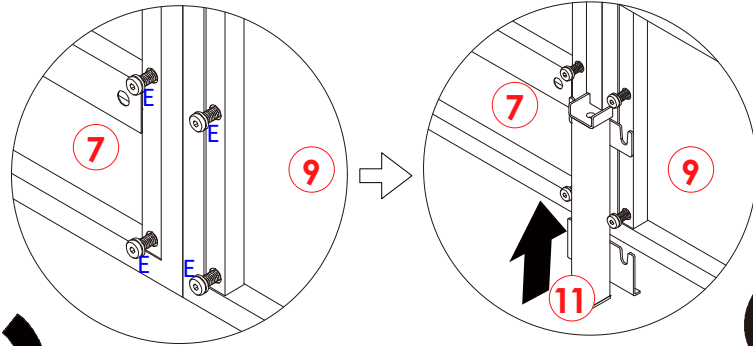
Assembly Instruction of Bed

Step:5

E 5/16X19



8 PCS

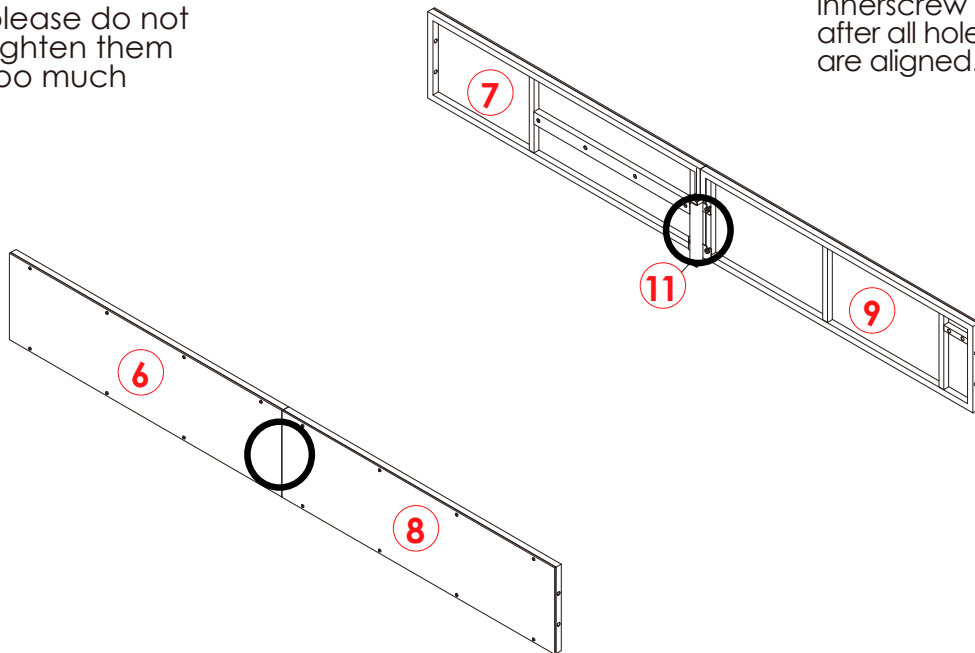


75%

please do not
tighten them
too much

100%

Tight all the
innerscrew
after all holes
are aligned.

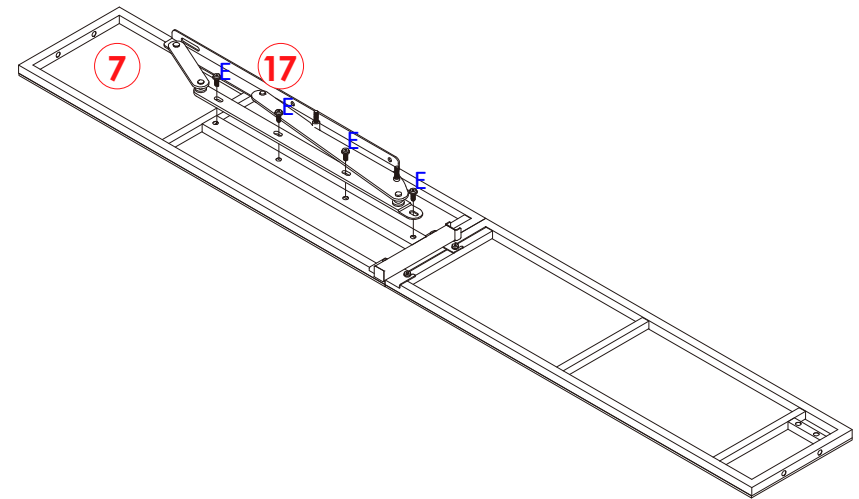
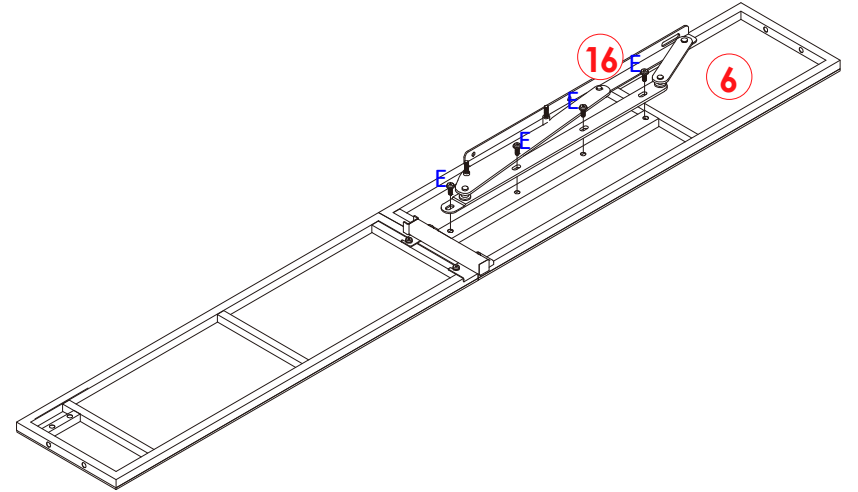


Step:6

E 5/16X19



8 PCS



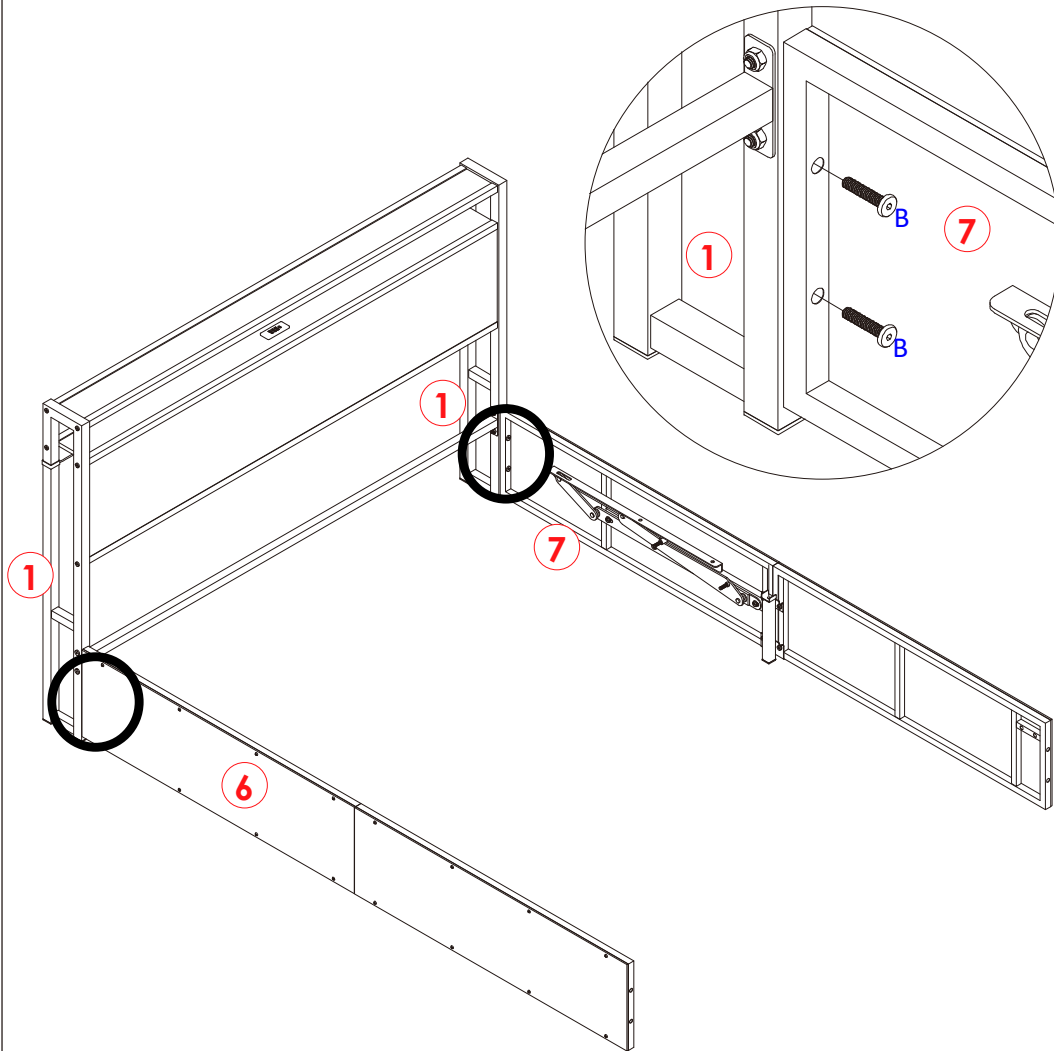
Assembly Instruction of Bed

Step:7

B 5/16x35



4 PCS

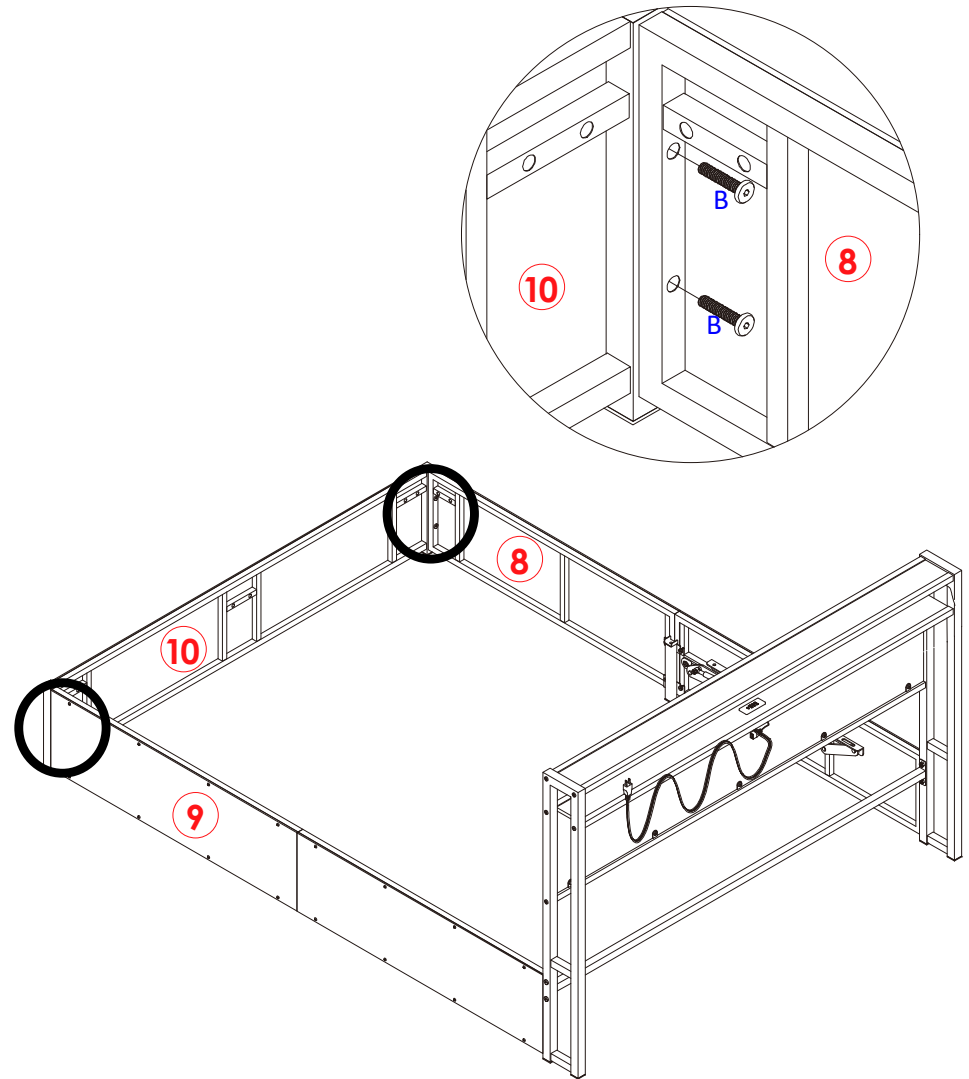


Step:8

B 5/16x35



4 PCS



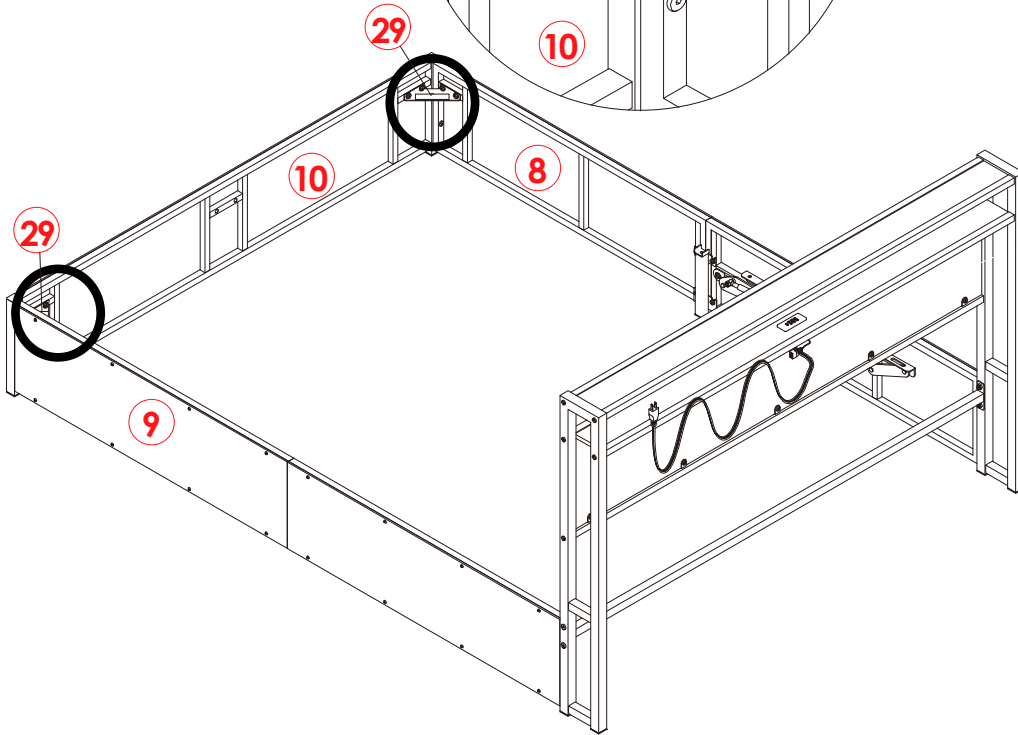
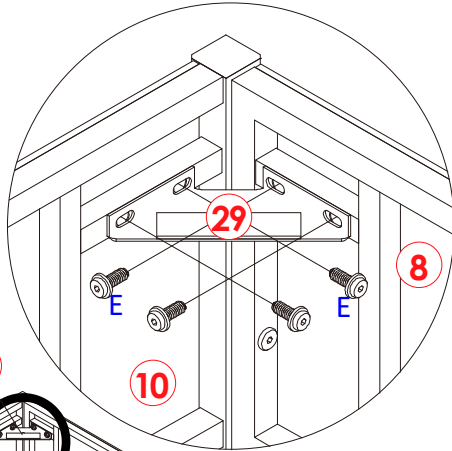
Assembly Instruction of Bed

Step:9

E 5/16X19



8 PCS

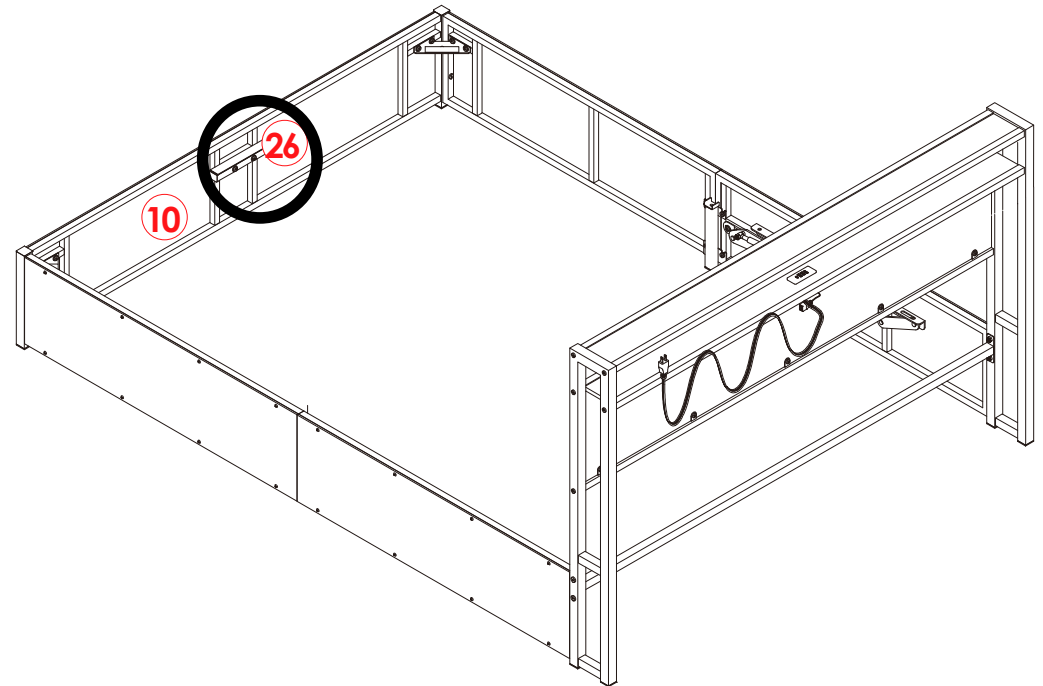
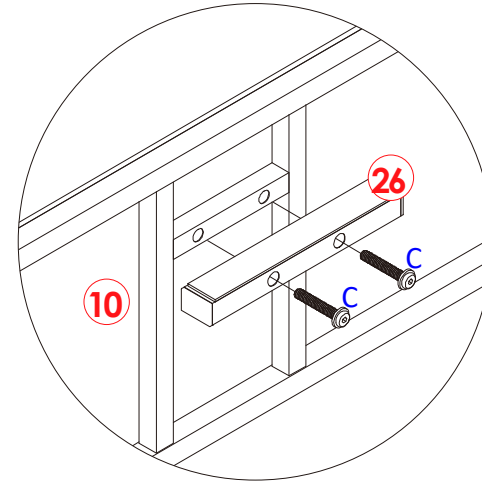


Step:10

C 5/16X45



2 PCS



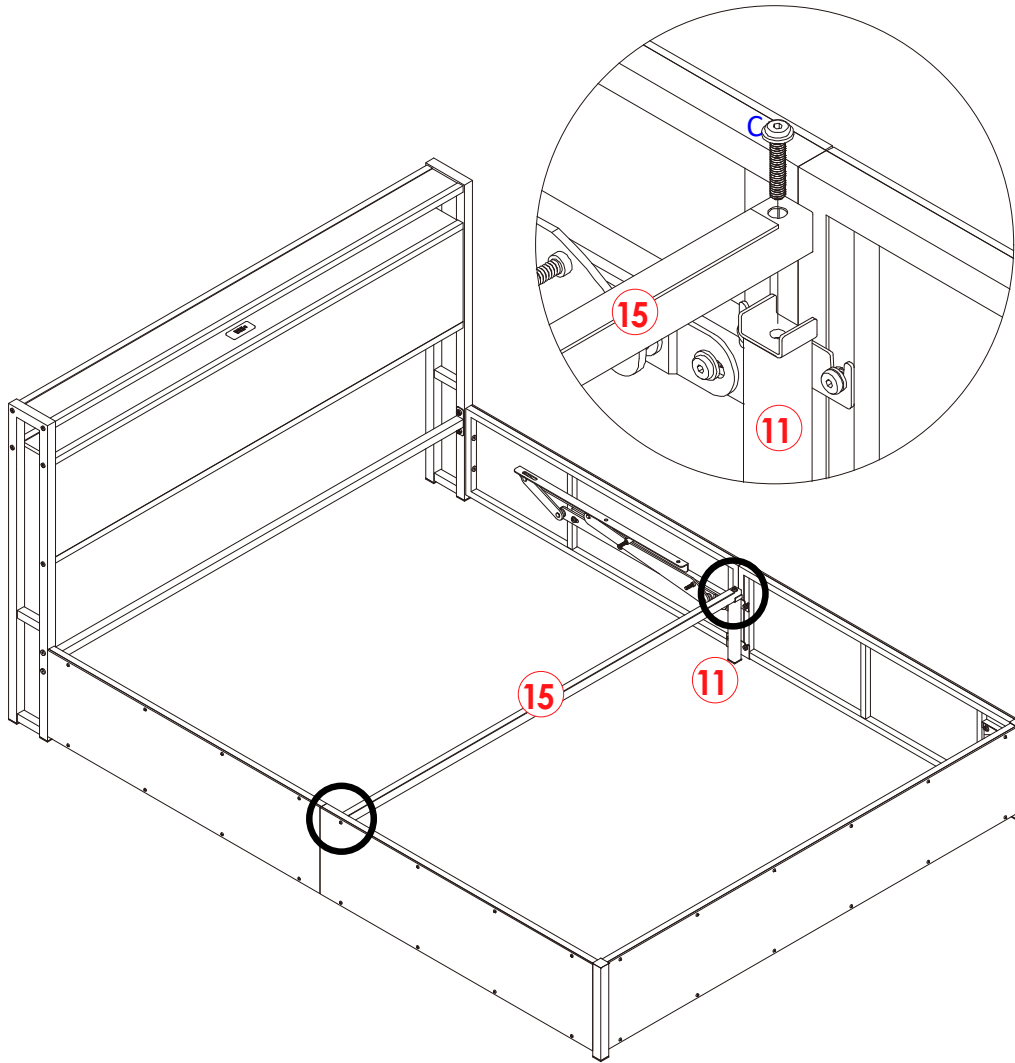
Assembly Instruction of Bed

Step:11

C 5/16X45



2 PCS



Step:12

H 5/16

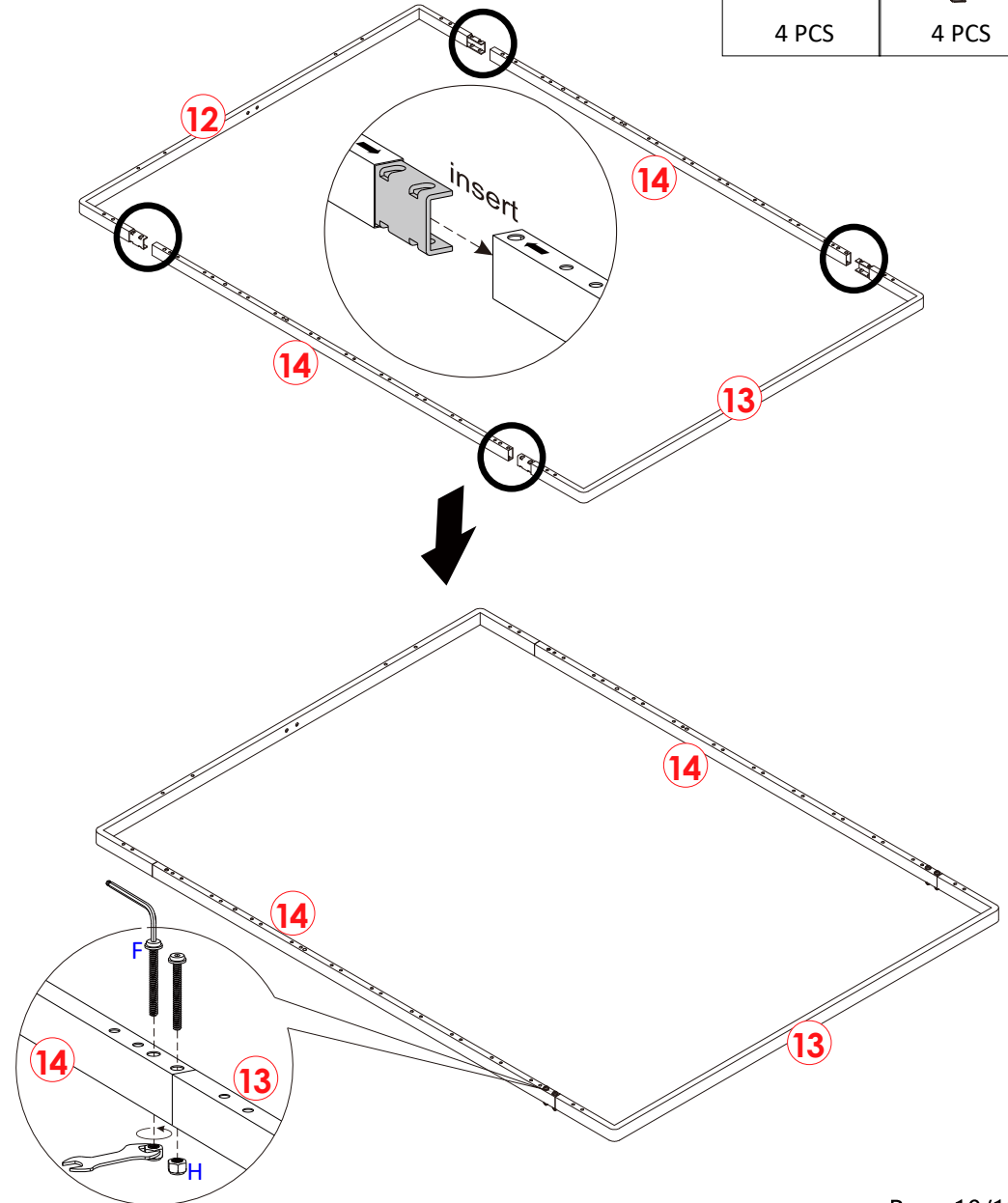


4 PCS

F 5/16X55



4 PCS



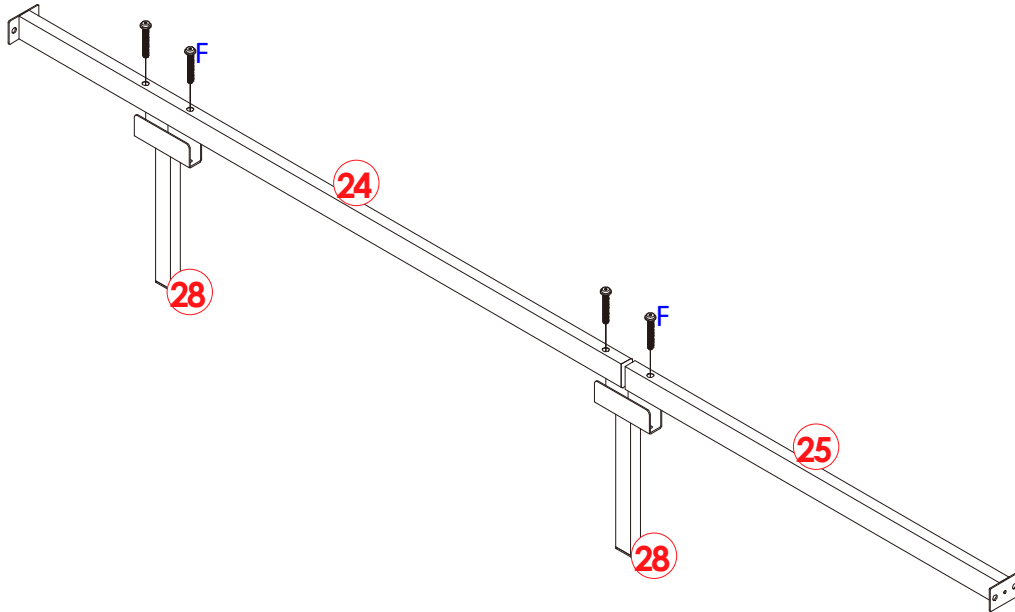
Assembly Instruction of Bed

Step:13

F 5/16X55



4 PCS

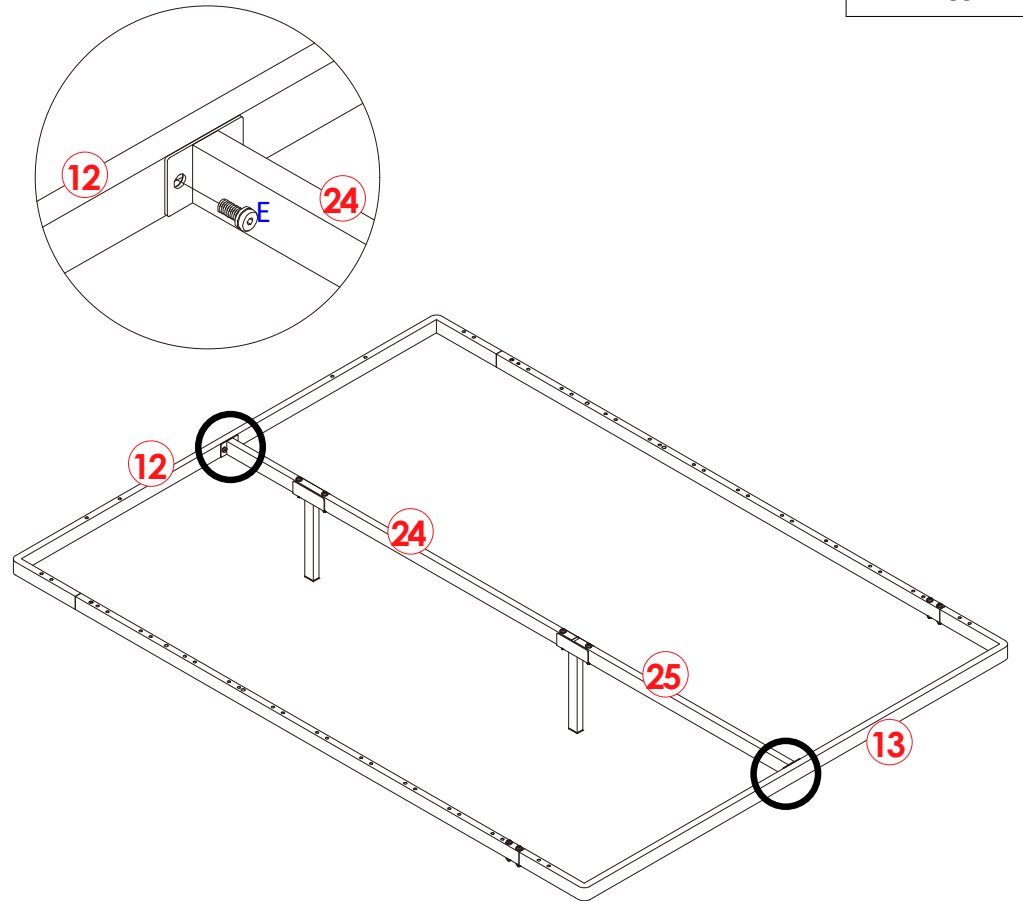


Step:14

E 5/16X19



4 PCS



Assembly Instruction of Bed

Step:15

H 5/16



6 PCS

F 5/16X55




6 PCS

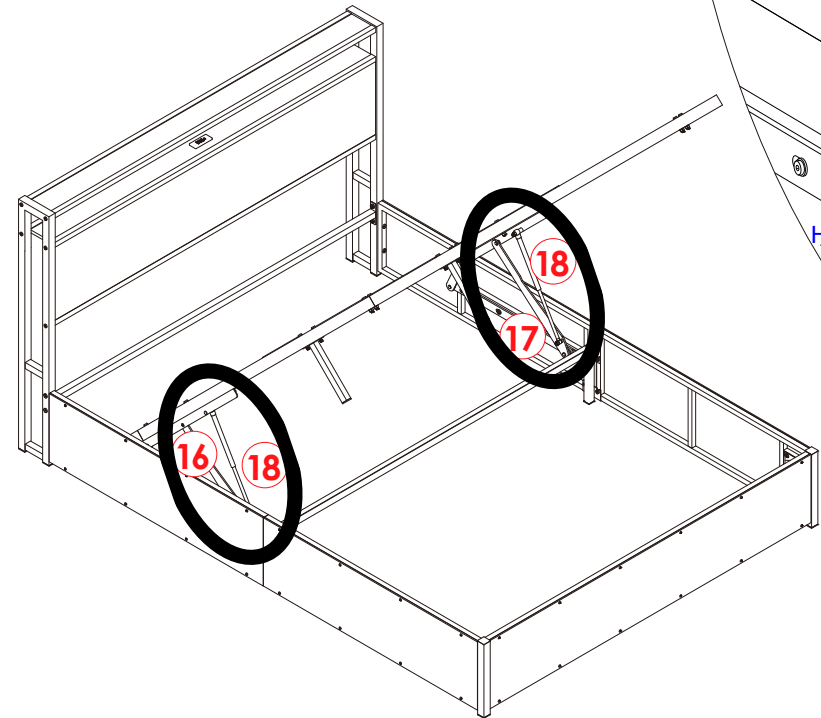
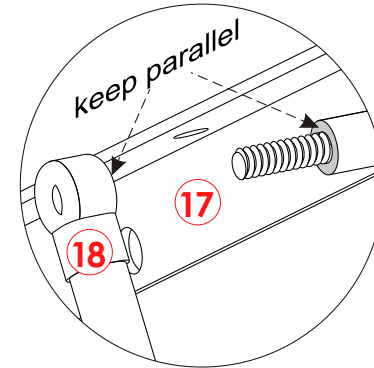
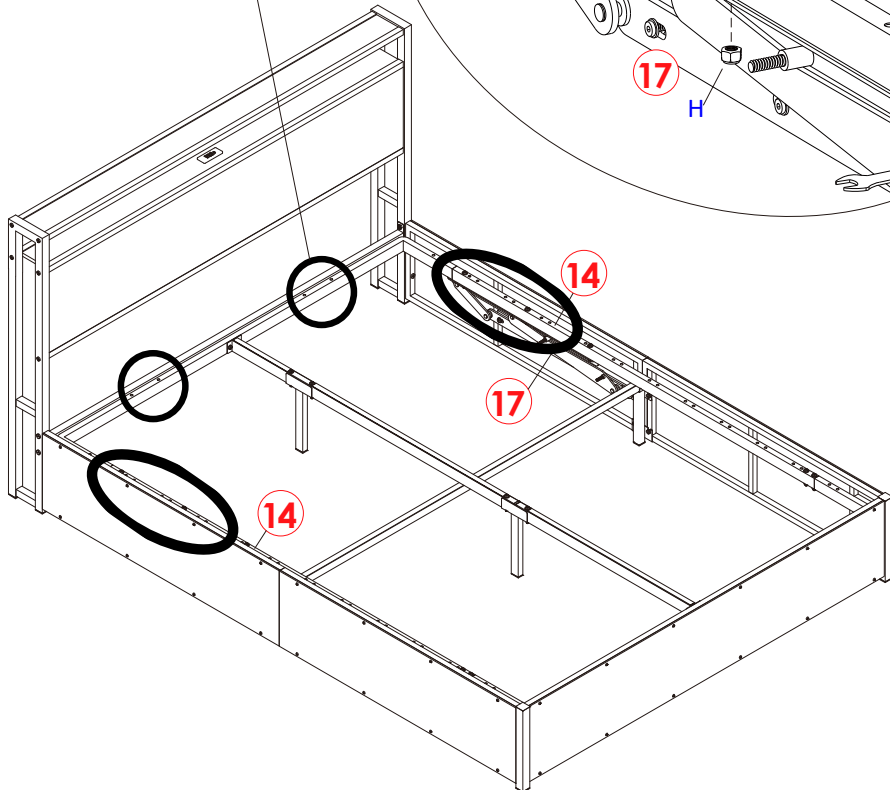
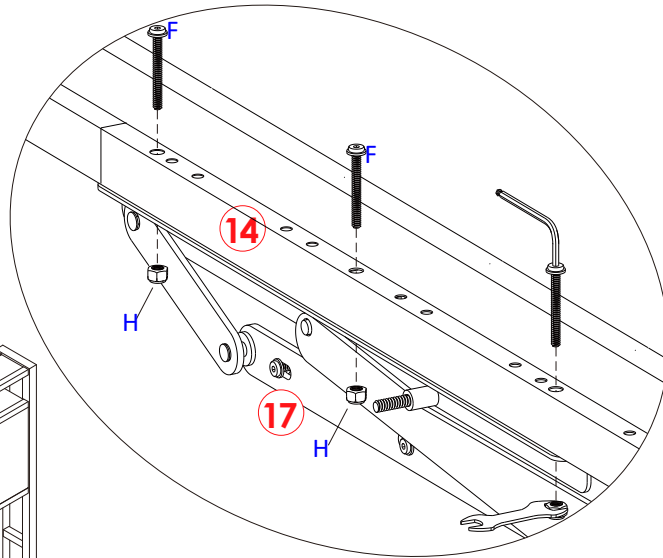
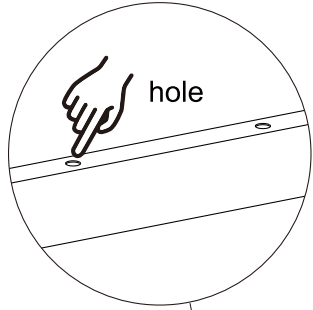
Step:16

H 5/16



4 PCS

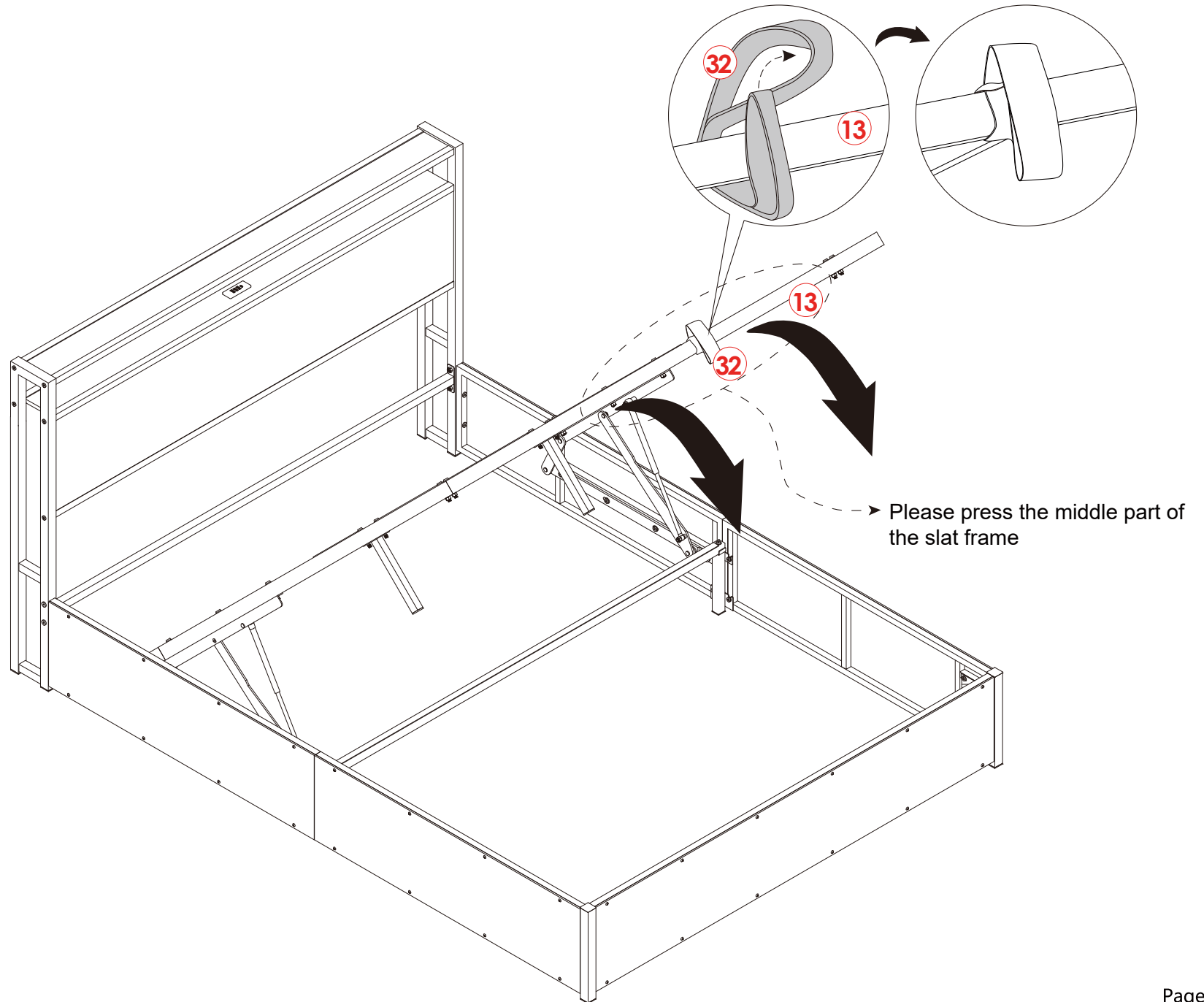
 Please lift the slat frame with your hands while assembling part **18**.



Assembly Instruction of Bed

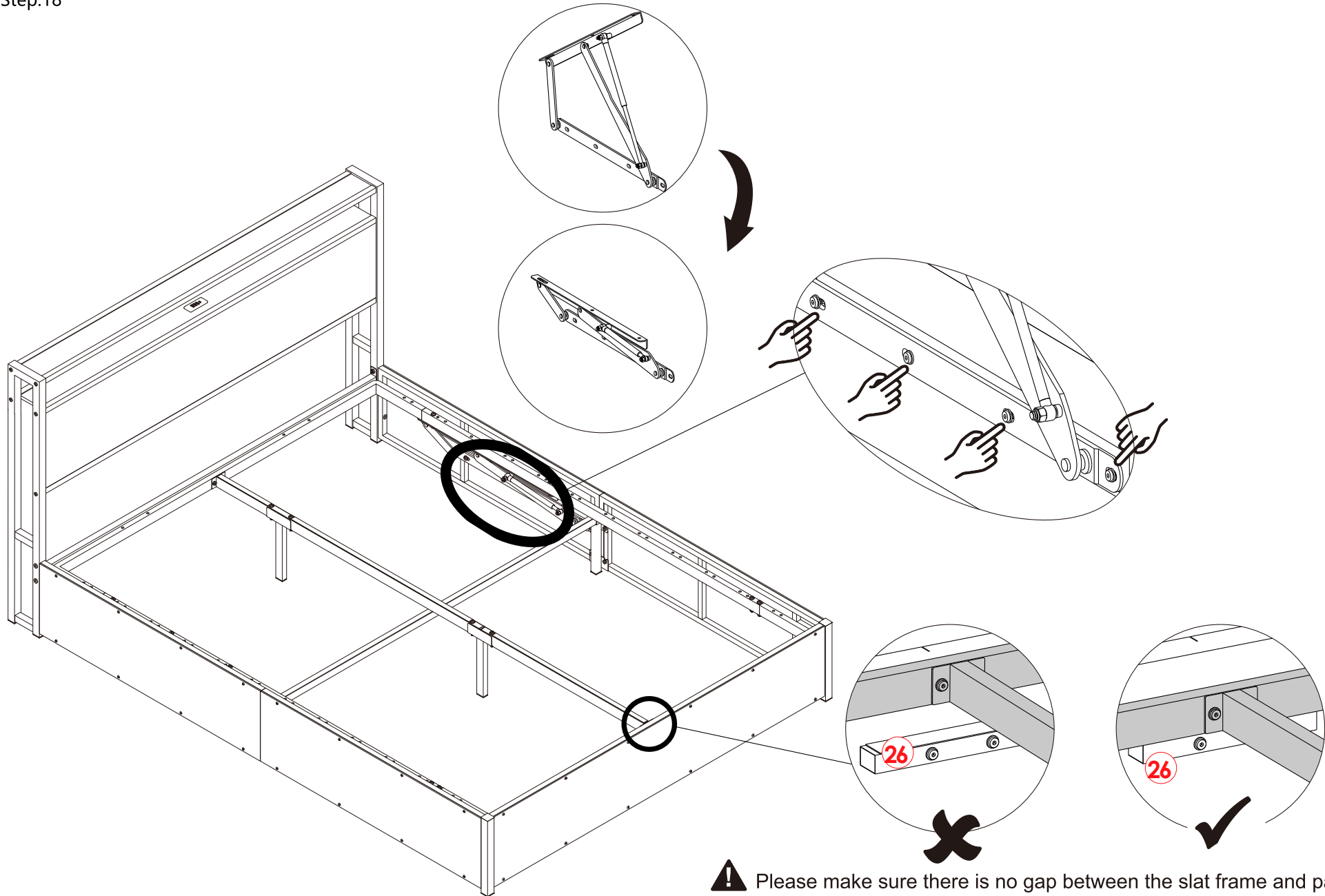
Step:17

Pass one end through the hole



Assembly Instruction of Bed

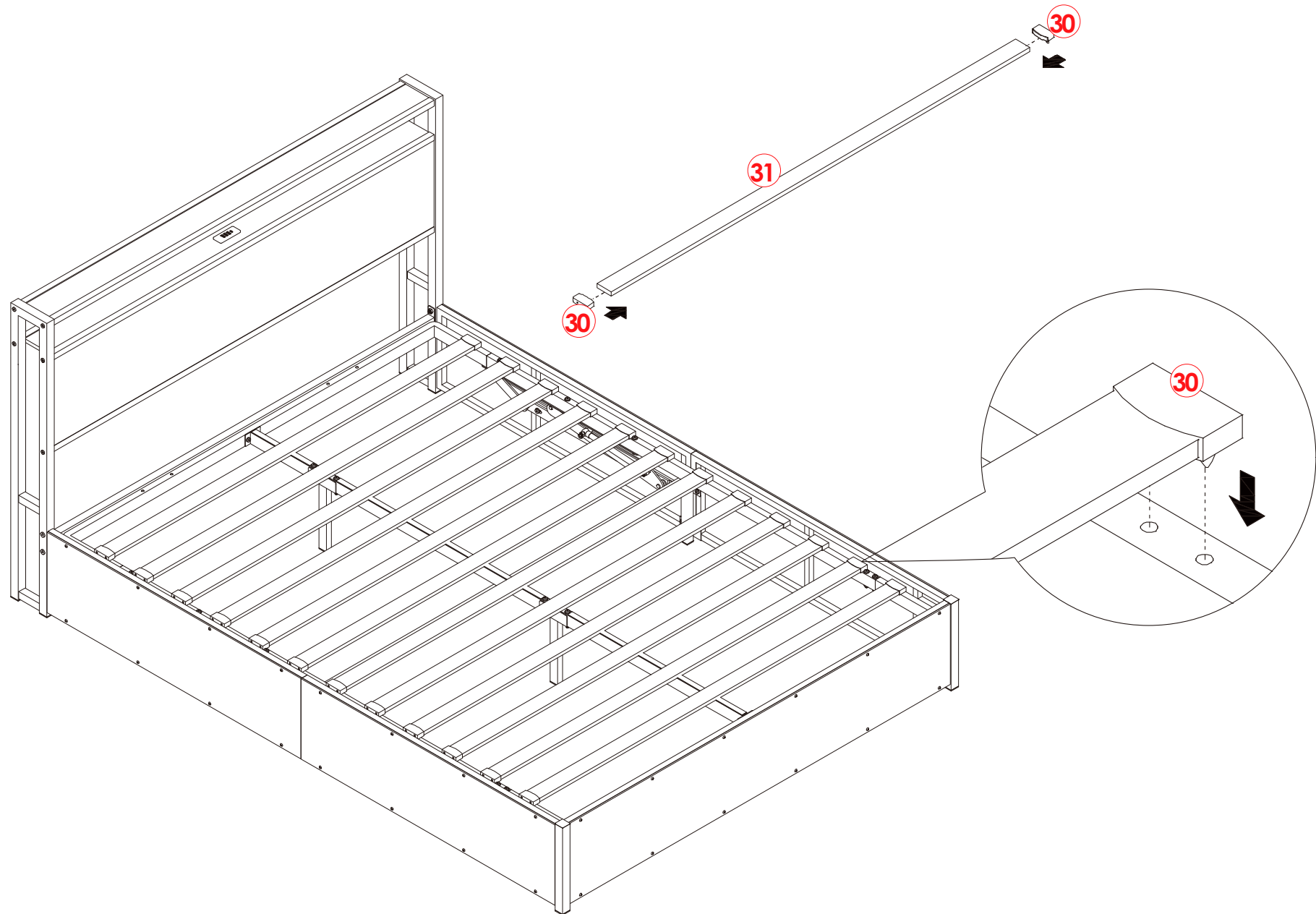
Step:18



! Please make sure there is no gap between the slat frame and part **26**, if there is a gap, please loosen the screws in the picture below and adjust their position.

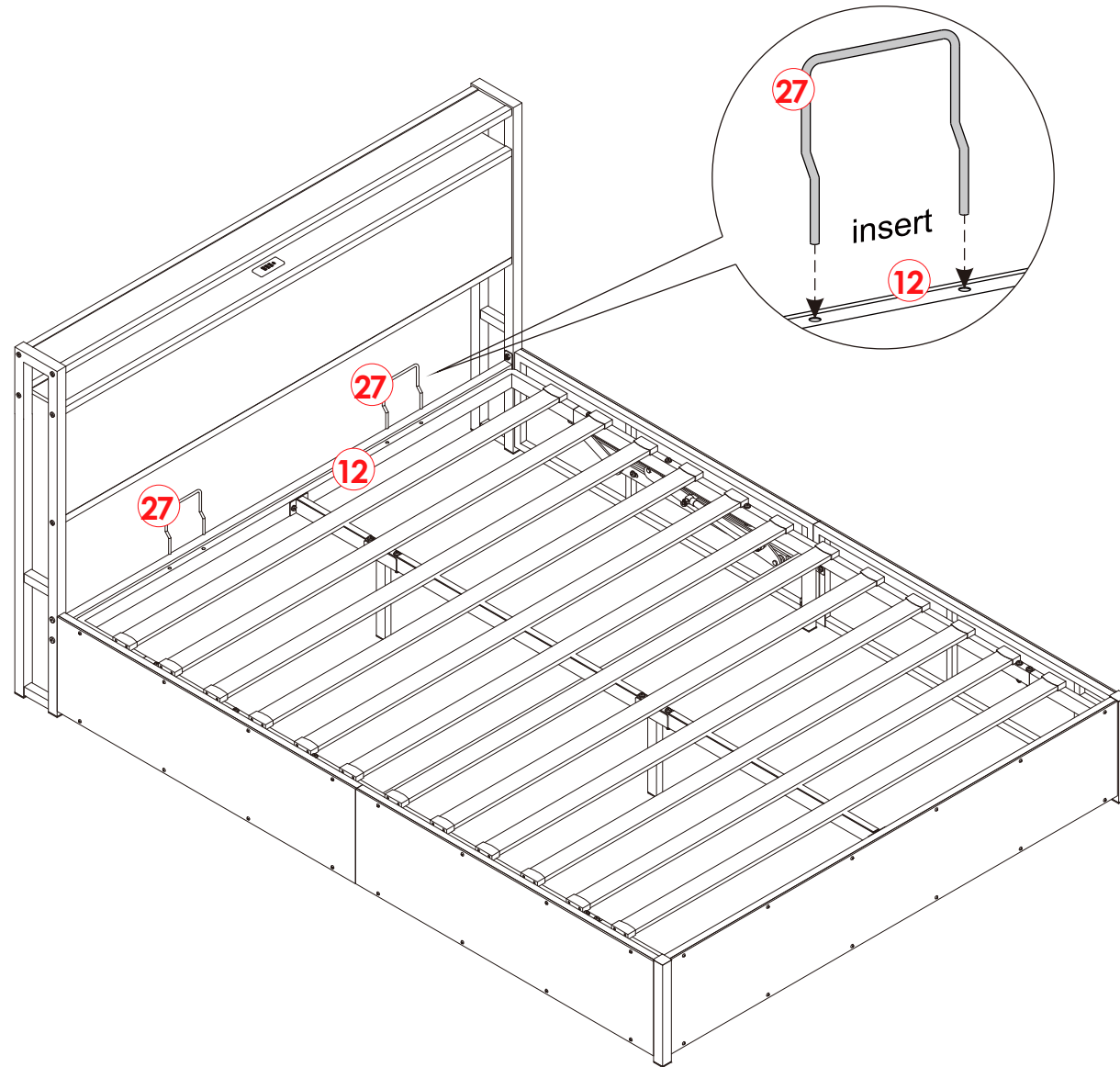
Assembly Instruction of Bed

Step:19



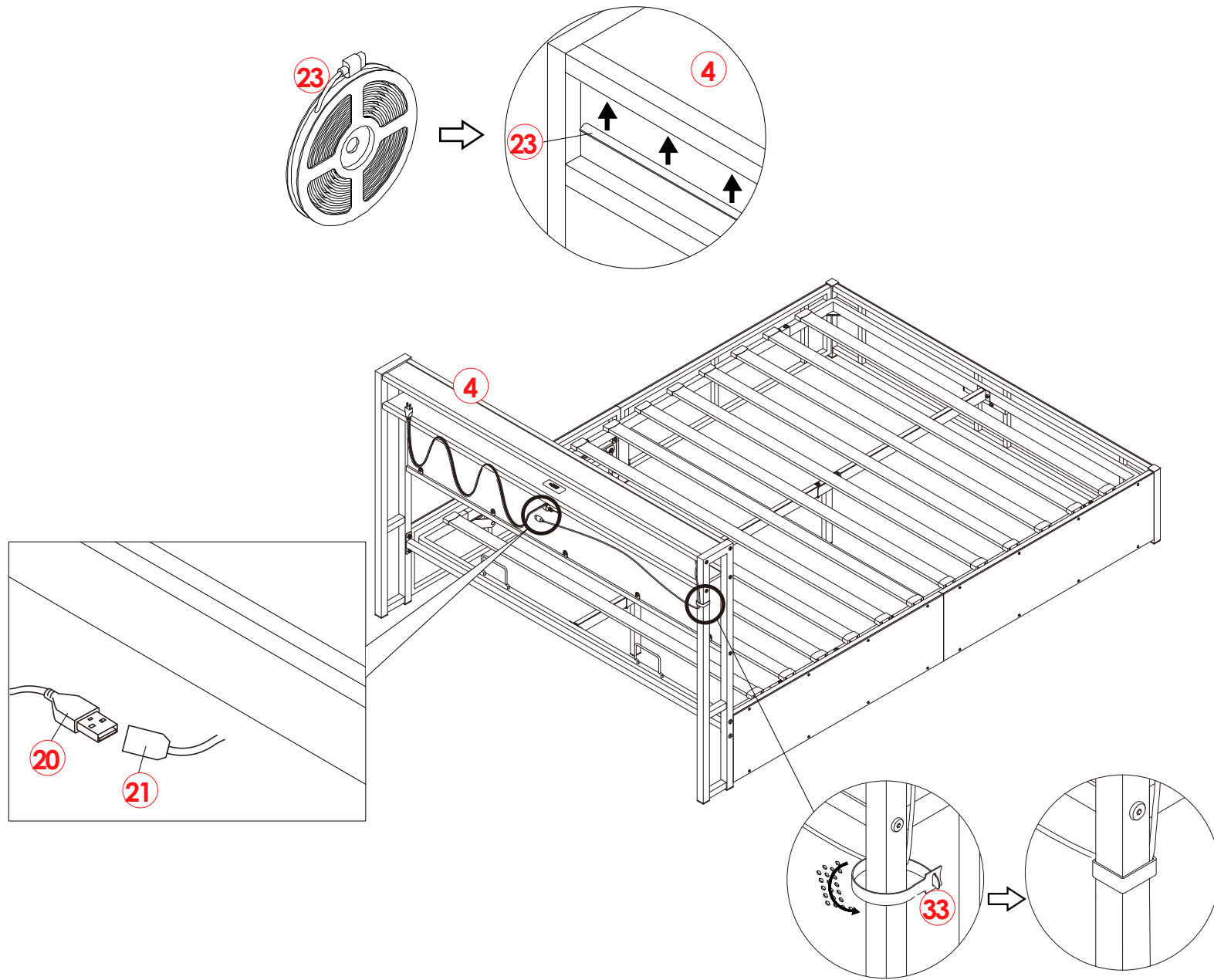
Assembly Instruction of Bed

Step:20



LED lamp assembly details

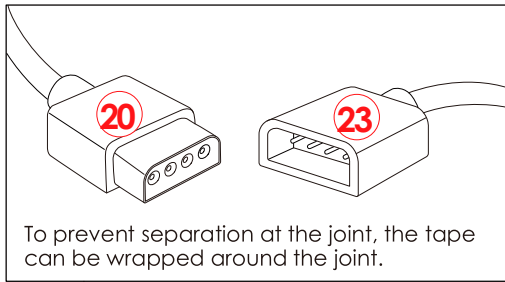
Step:21



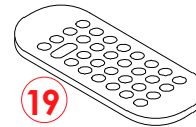
Secure the Led light strip with straps.

LED lamp assembly details

Step:22



NOTE: The black part of the receiver ⑳ needs to be exposed to air in order to better control the LED light.



Remote control

You can use the remote to control the light. The LED lamp can only be used after the power supply is connected.

