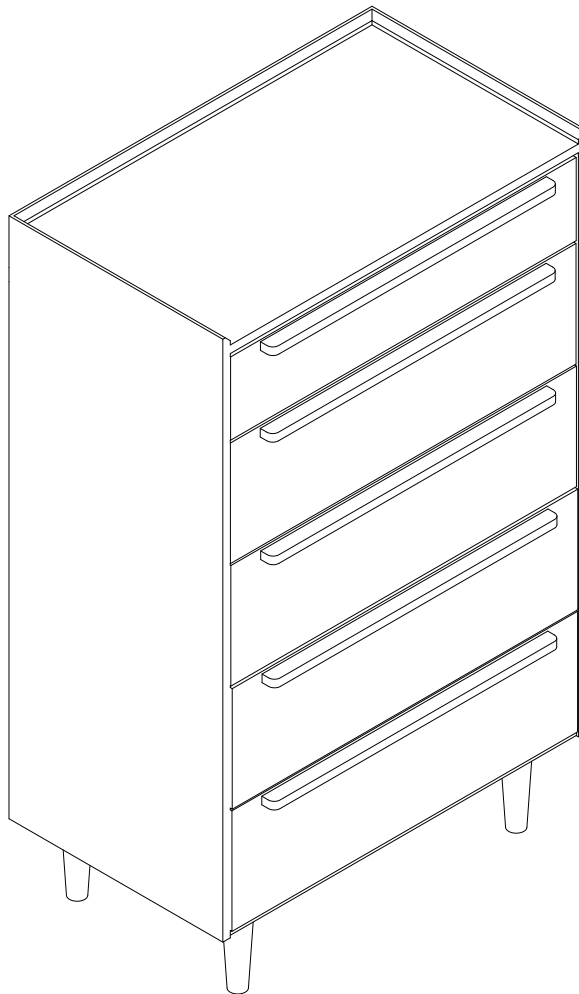
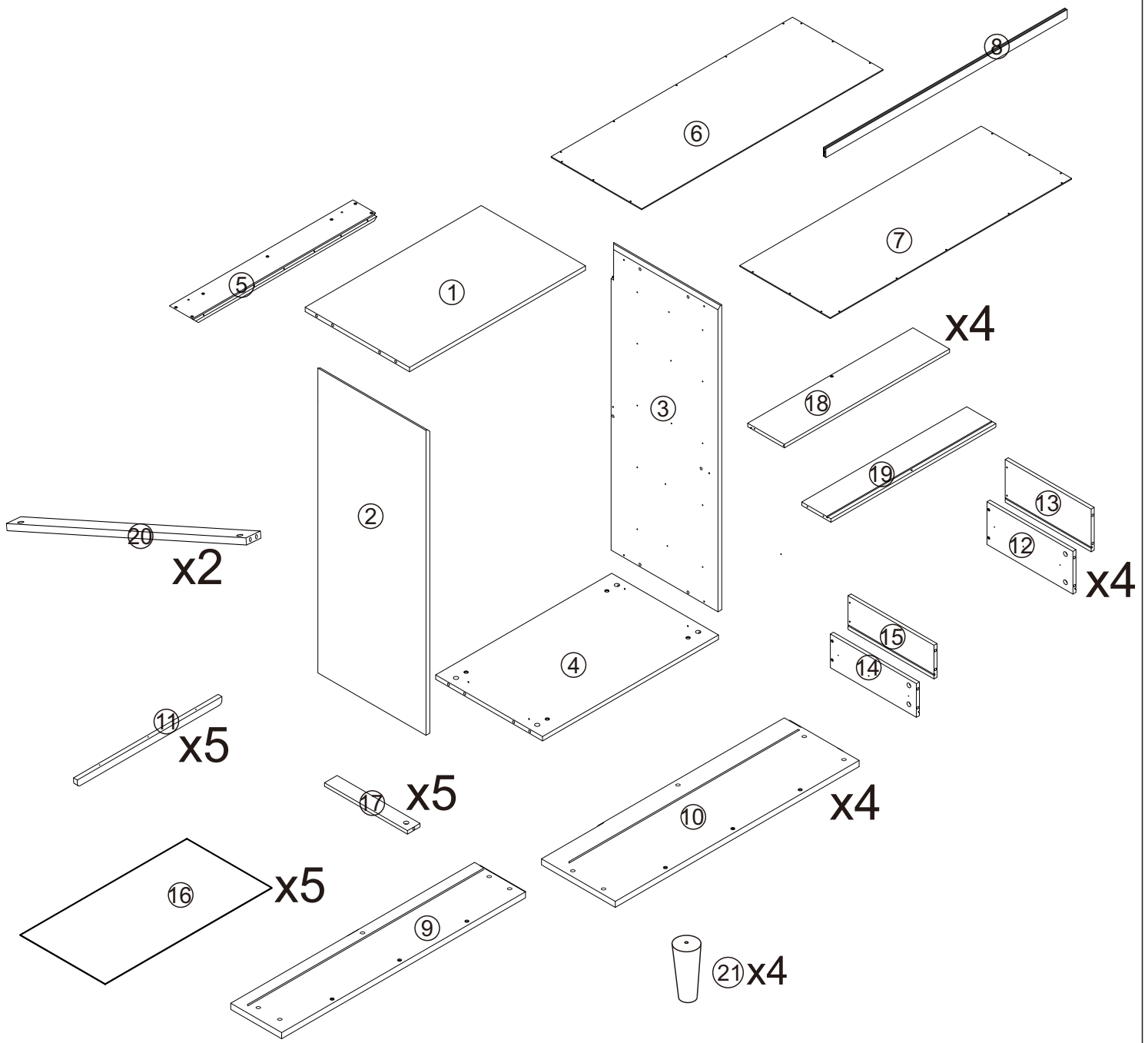


# ASSEMBLY INSTRUCTION

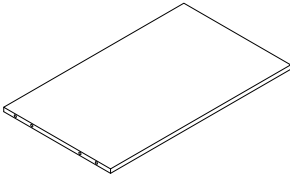
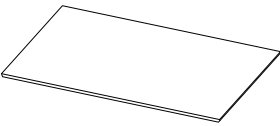
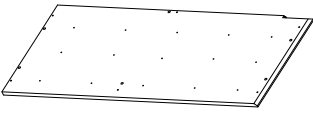
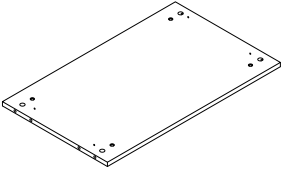
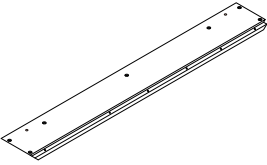
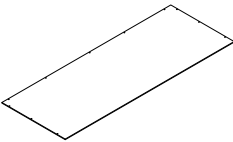
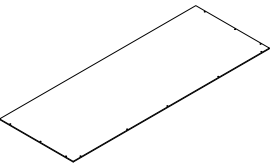
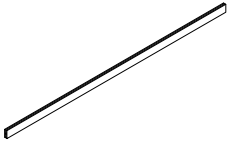
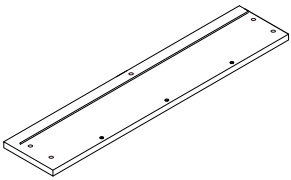
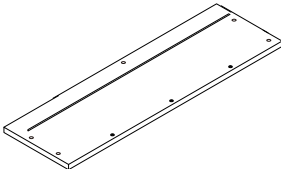
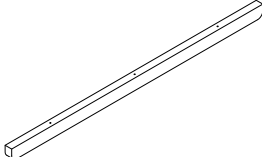
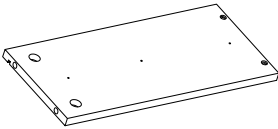
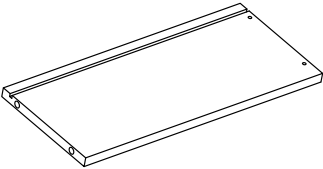
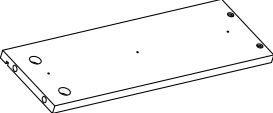
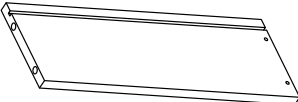
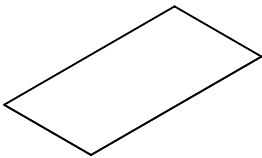
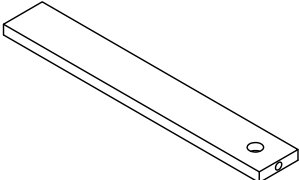
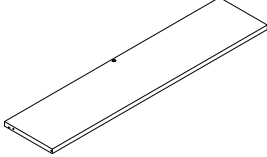
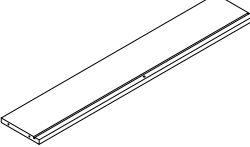


Chest WF298993AAW



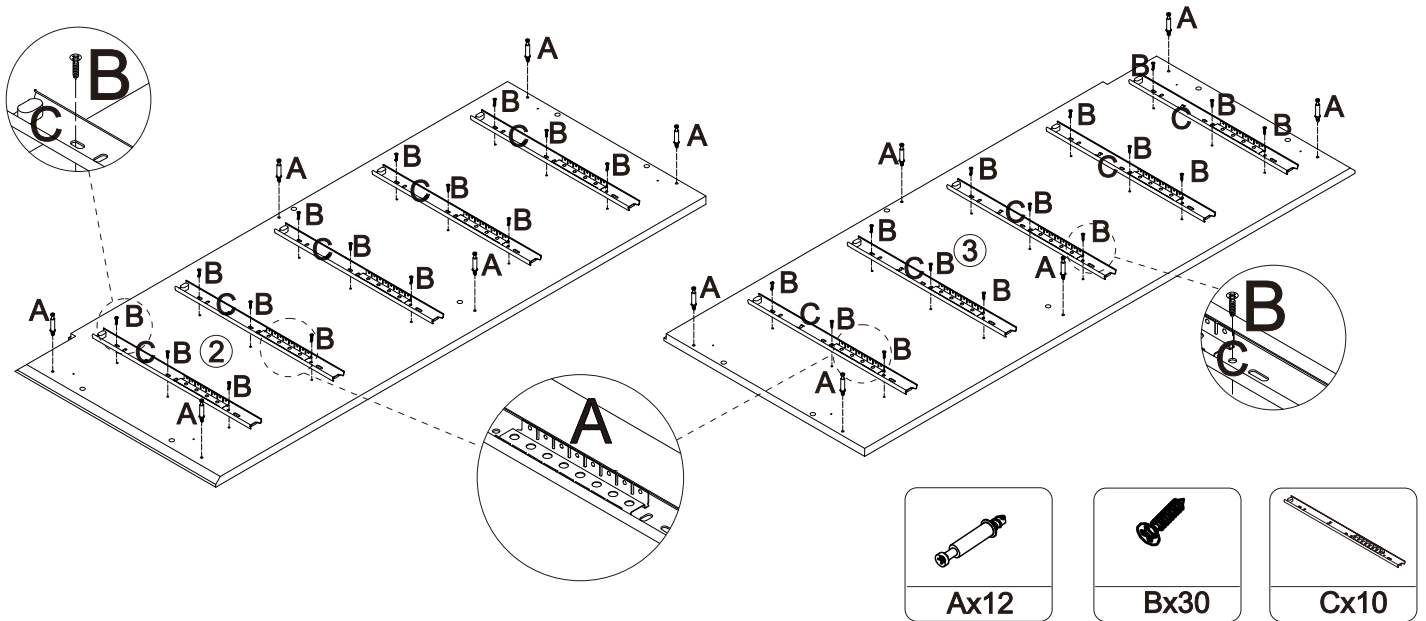


Ax37	Bx68	Cx10	Dx12	Ex37
Fx44	Gx4	Hx22	Ix4	Jx88
Kx2	Lx2	Mx5	Nx2	Ox4
Px1				

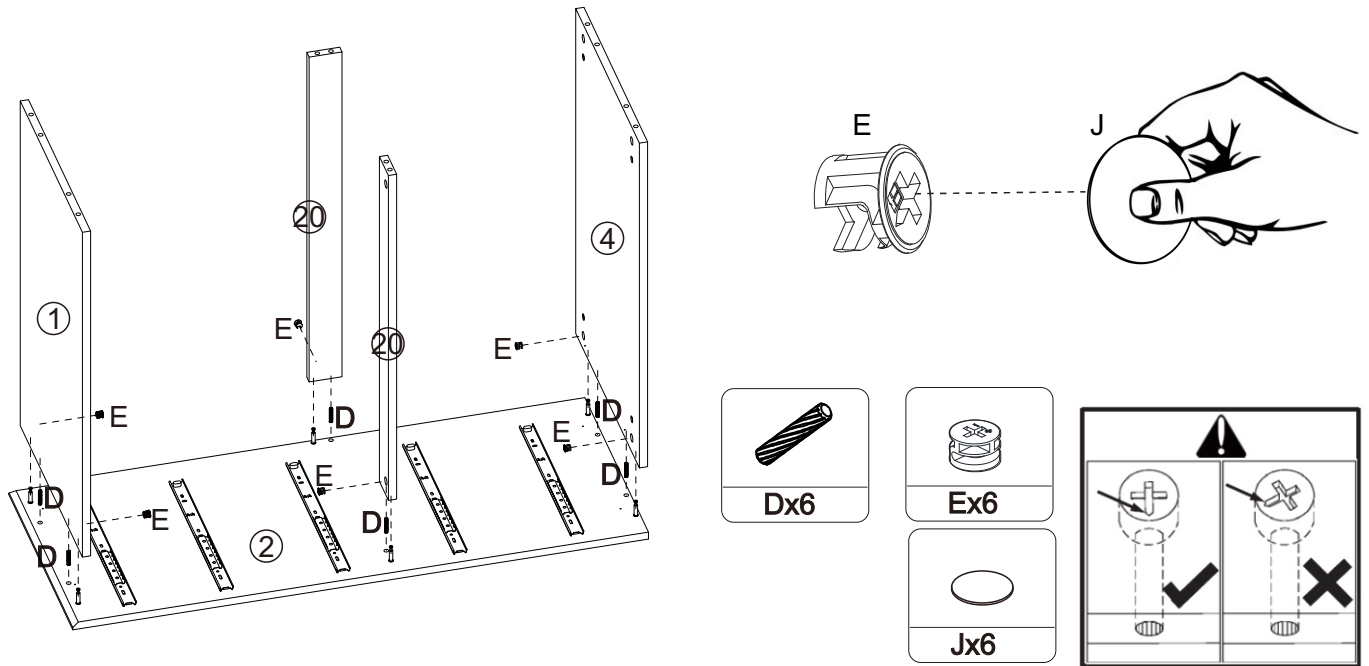
Box WF298993AAW

				
① X1	② X1	③ X1	④ X1	
				
⑤ X1	⑥ X1	⑦ X1	⑧ X1	
				
⑨ X1	⑩ X4	⑪ X5	⑫ X4	
				
⑬ X4	⑭ X1	⑮ X1	⑯ X5	
				
⑰ X5	⑱ X4	⑲ X1	⑳ X2	
				
㉑ X4				

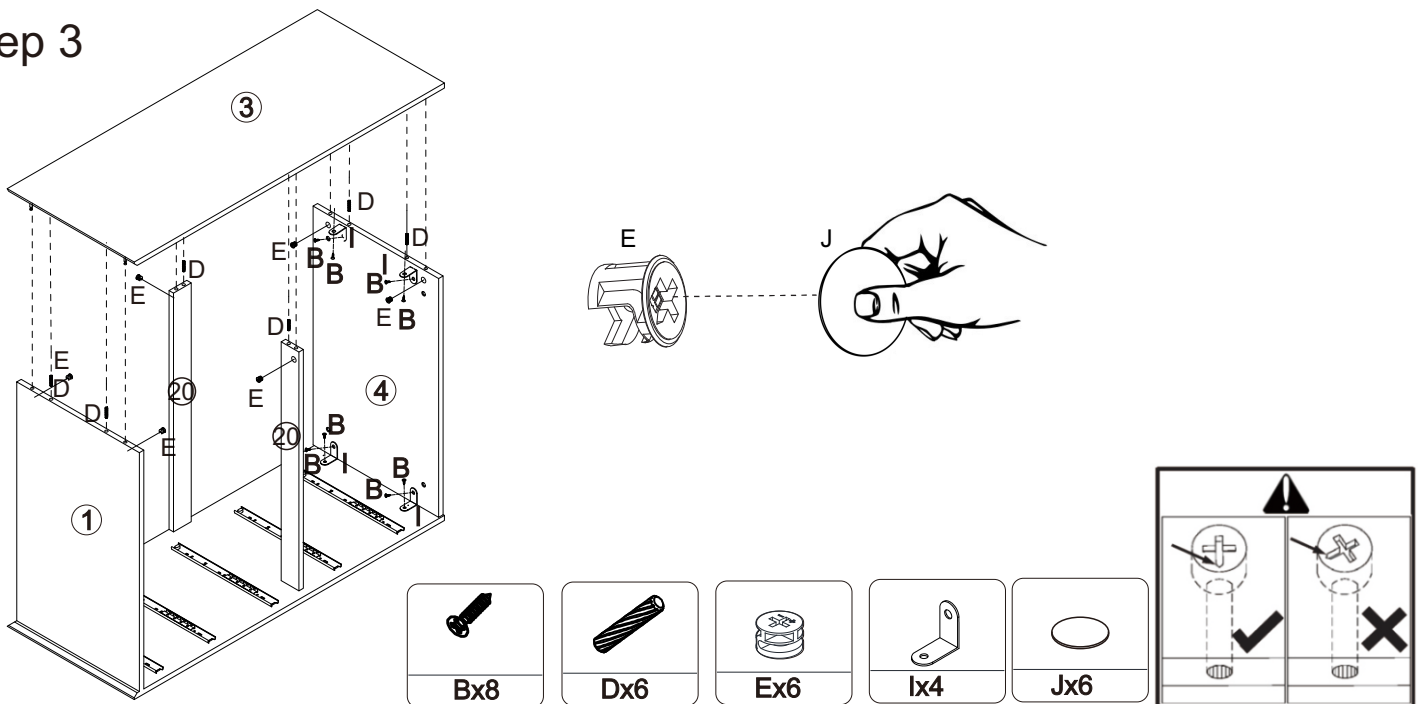
### step 1



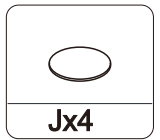
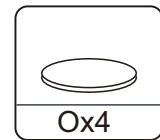
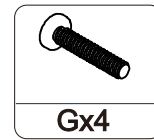
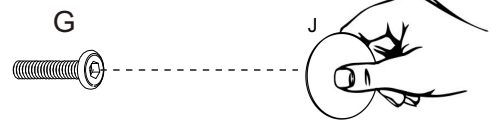
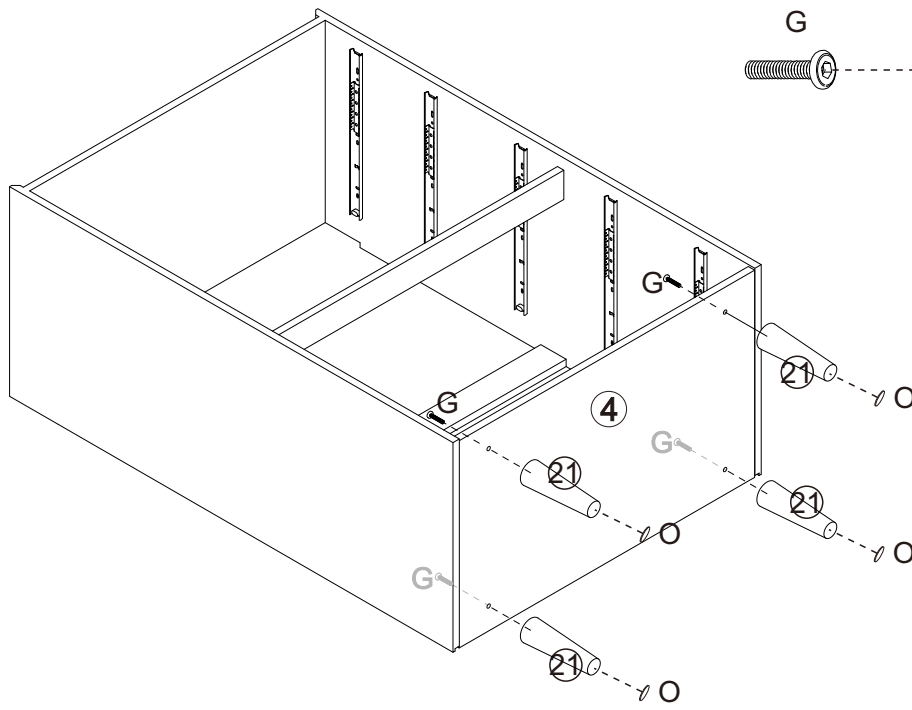
### step 2



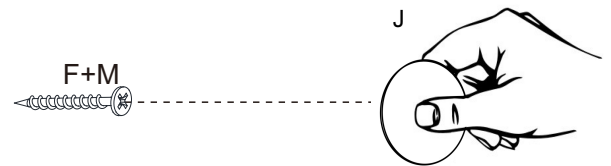
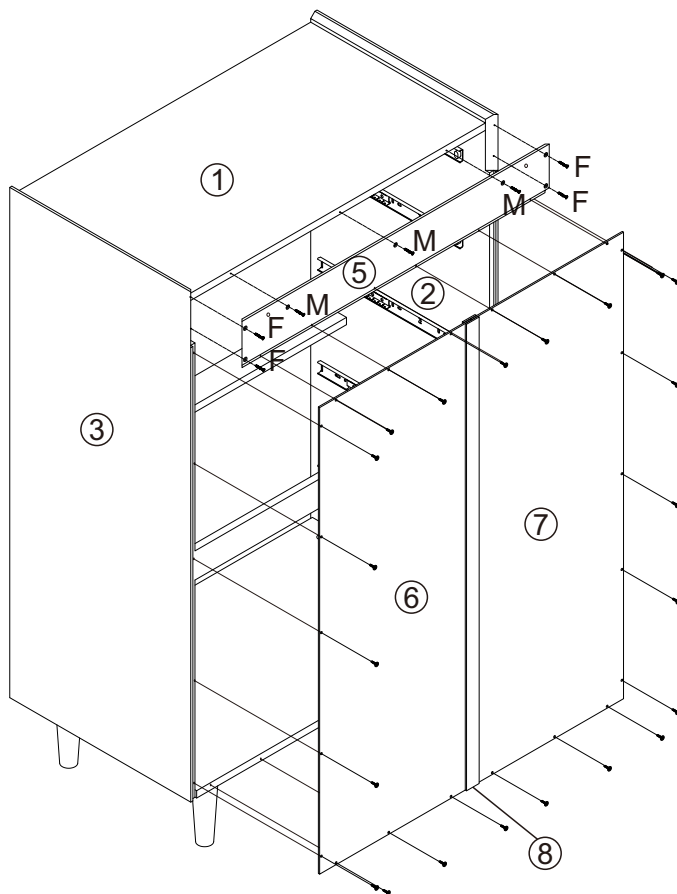
### step 3



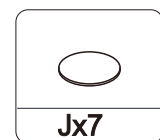
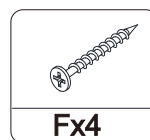
# step 4



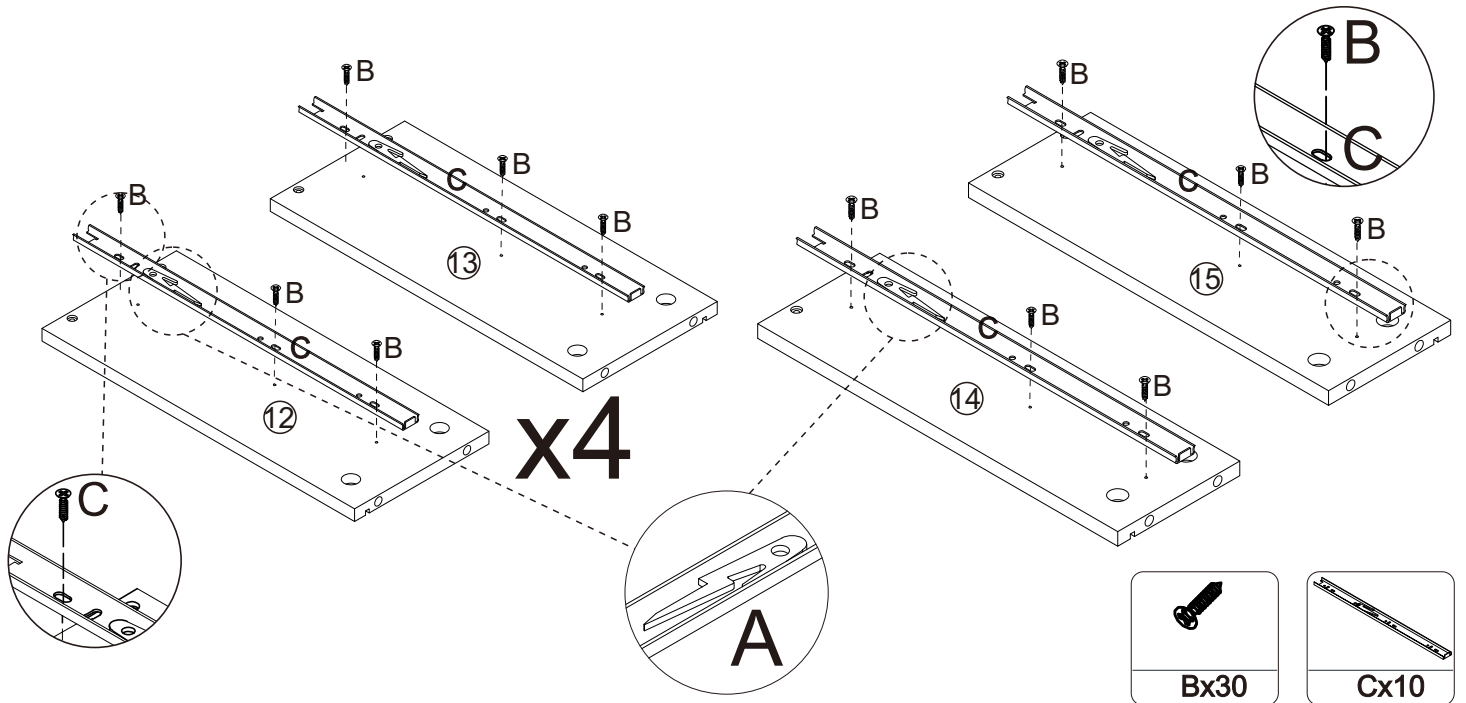
# step 5



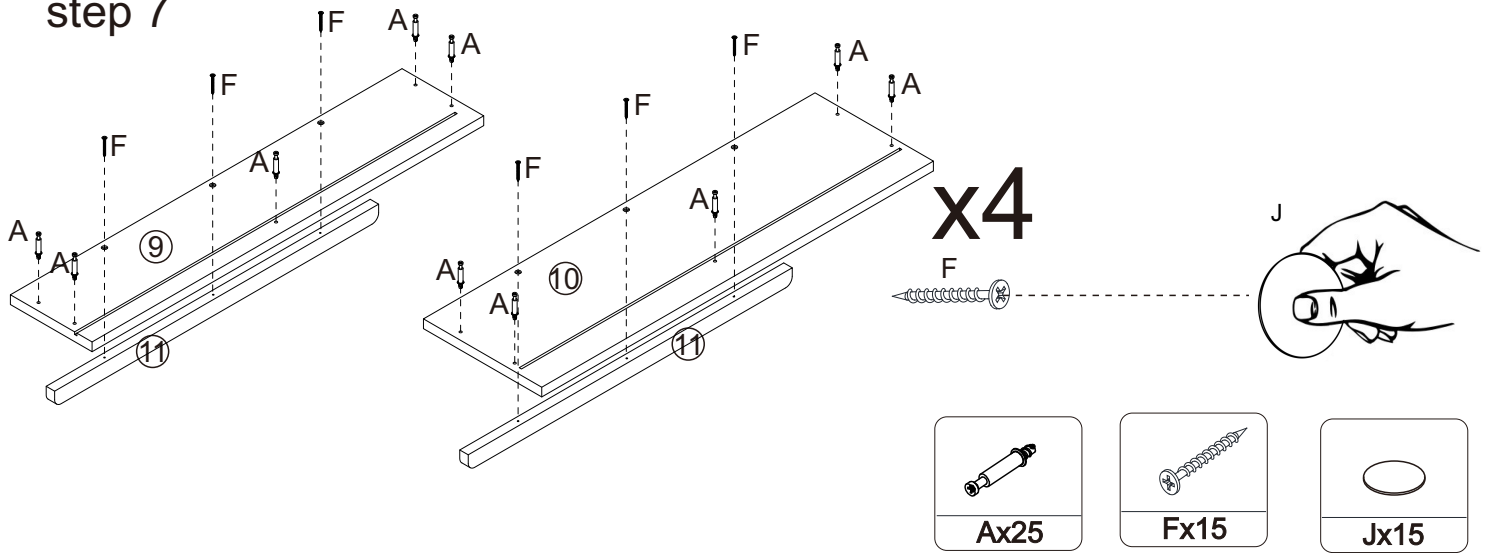
# Hx22



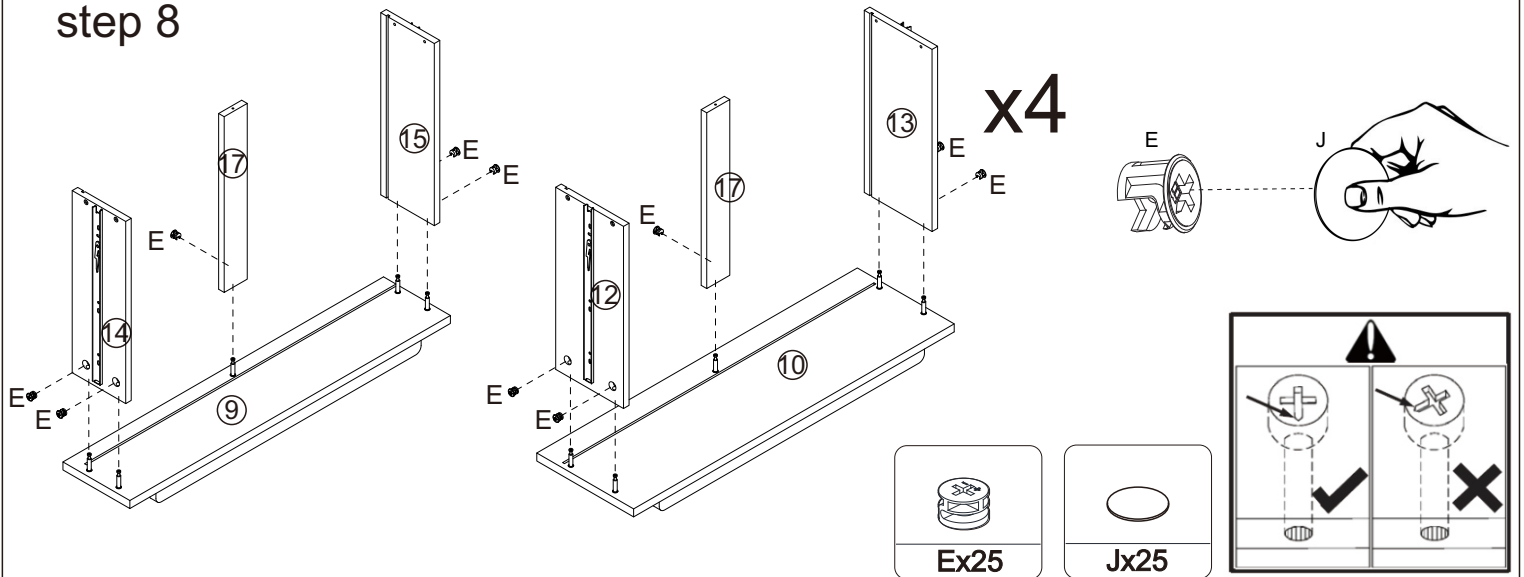
# step 6



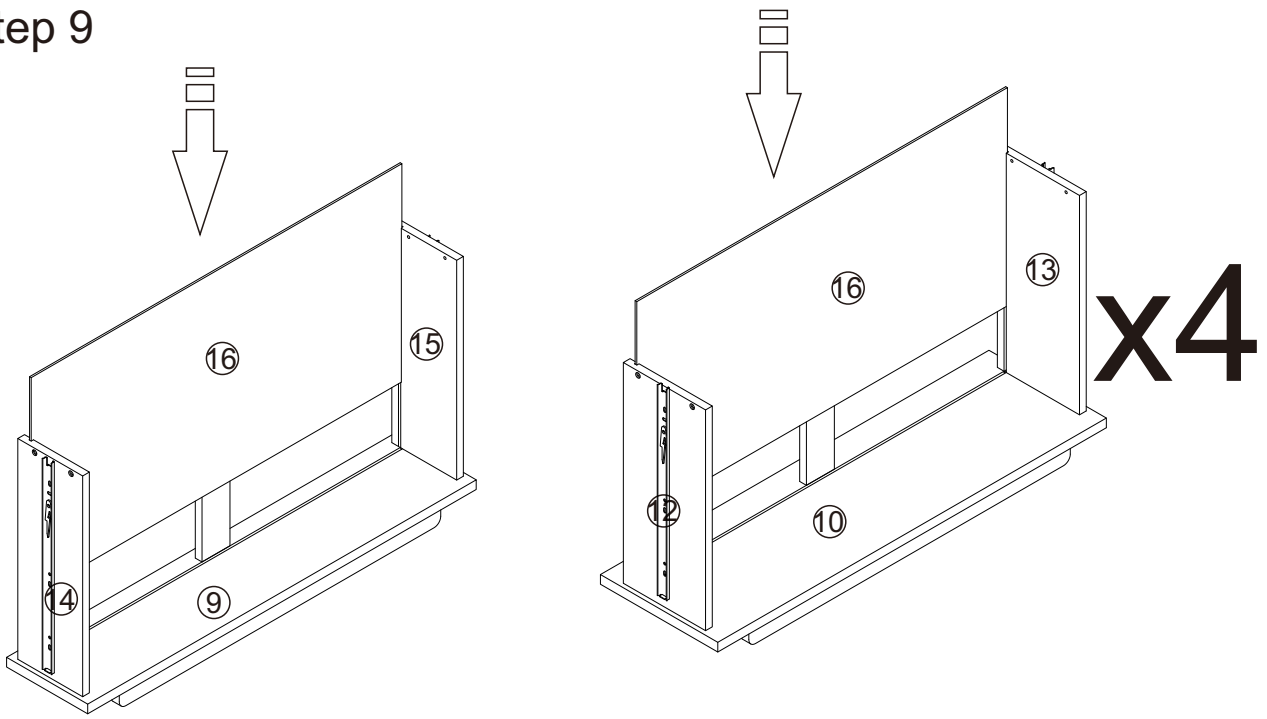
# step 7



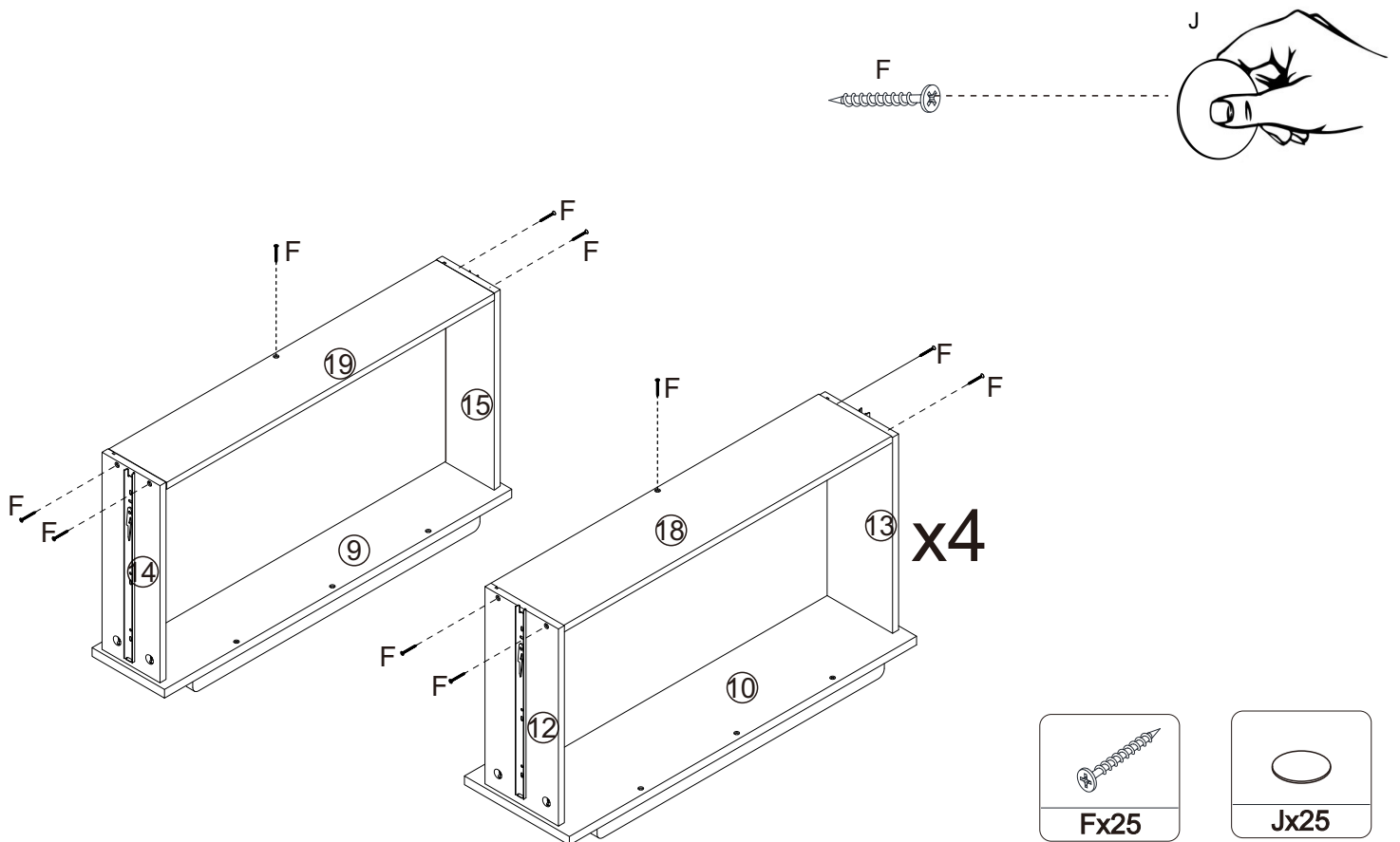
# step 8



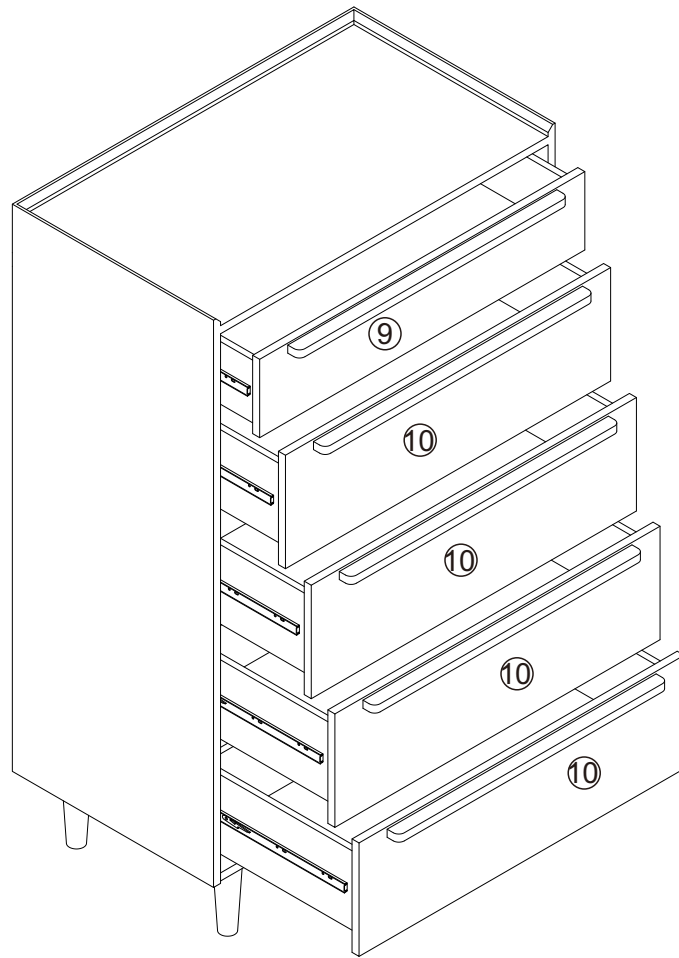
step 9



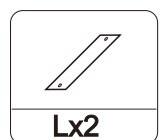
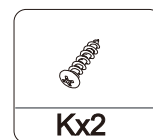
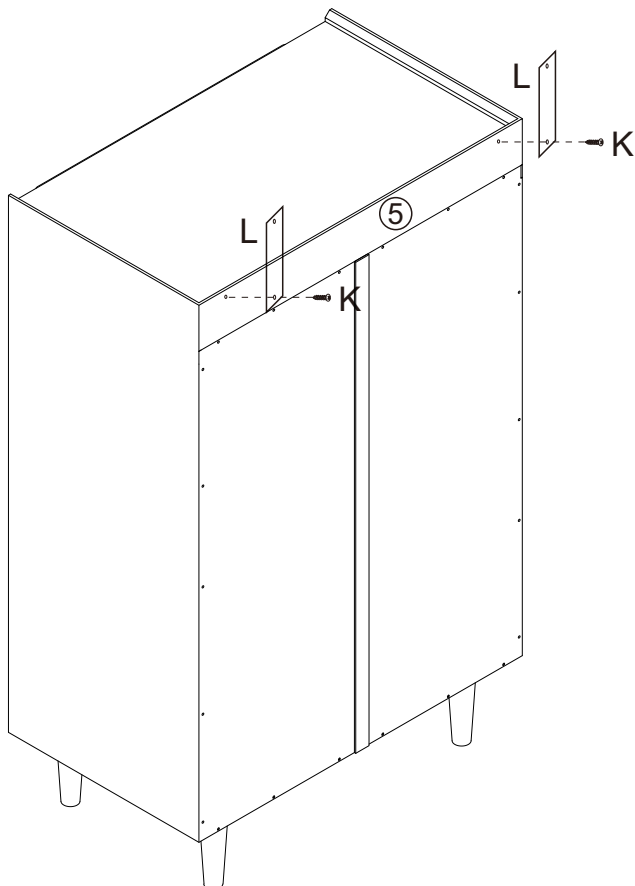
step 10



step 11



step 12



step 13

