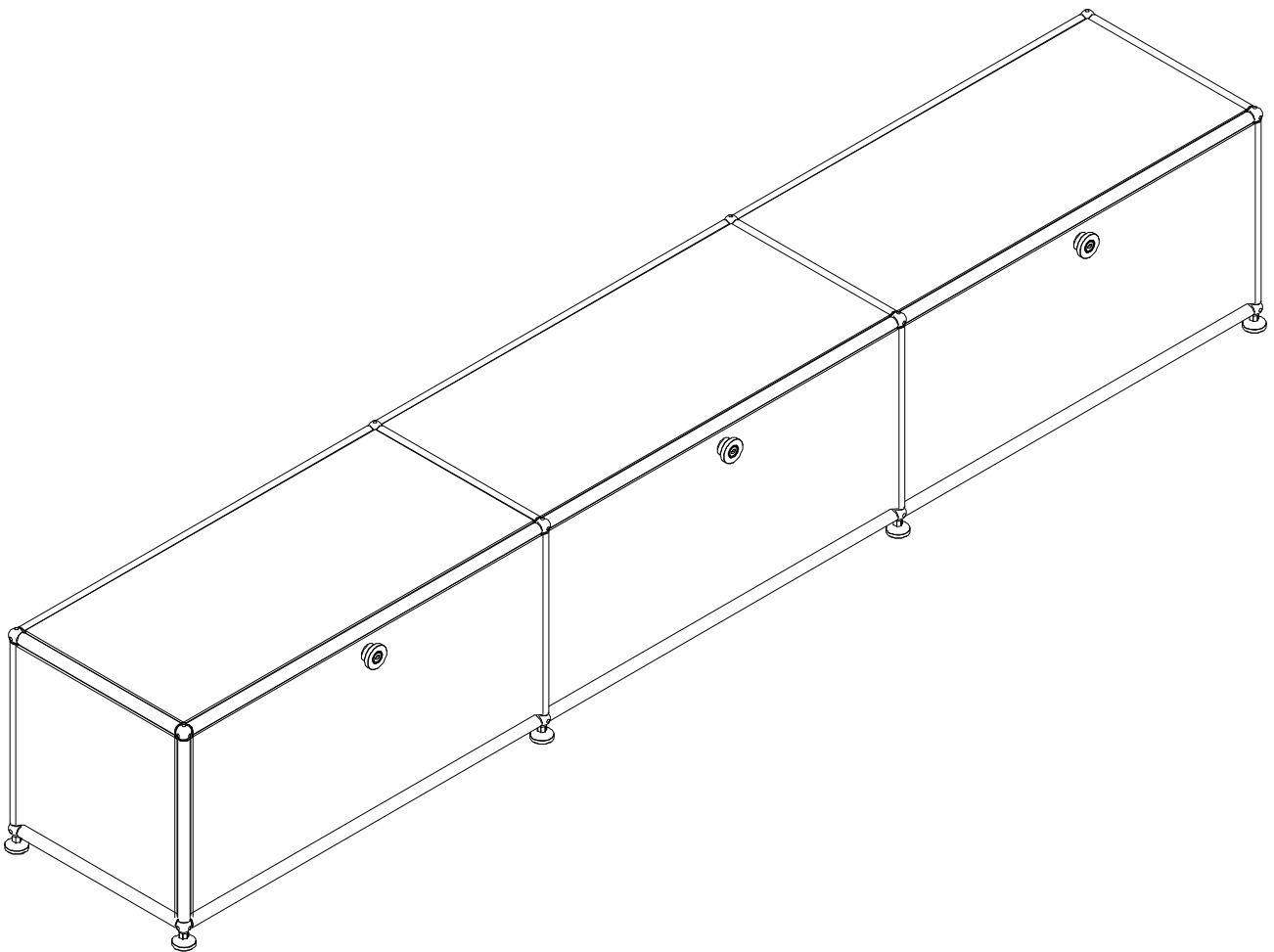


# ASSEMBLY INSTRUCTIONS

---

Storage Cabinets Type E



# Part List

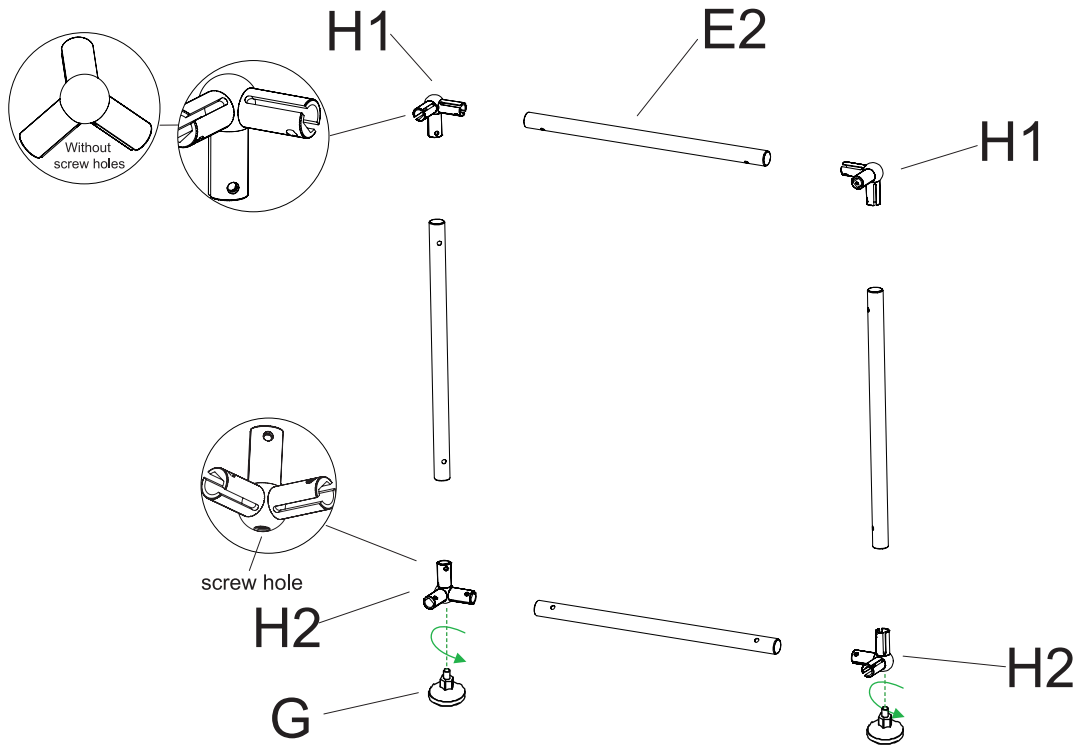
①	②	③	④	⑤	⑥	⑦	⑧
x1	x3	x3	x2	x2	M3x28 x6	M4x25 x6	M4x14 x6

A	B	C	D	E1	E2	F	G
x9	x3	x2	x2	Long x12	Short x16	x3	x8

H1	H2	J1	J2	K1	K2	M	N
x4	x4	x2	x2	x2	x2	x56	x1

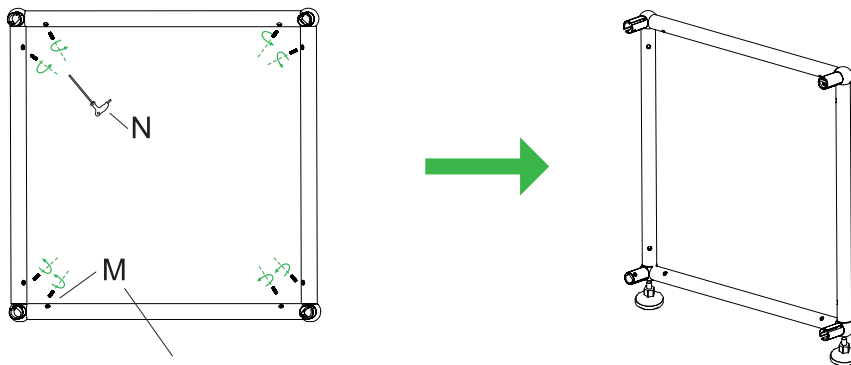
II
x1

# Step1



Gx2  
H1x2  
H2x2  
E2x4

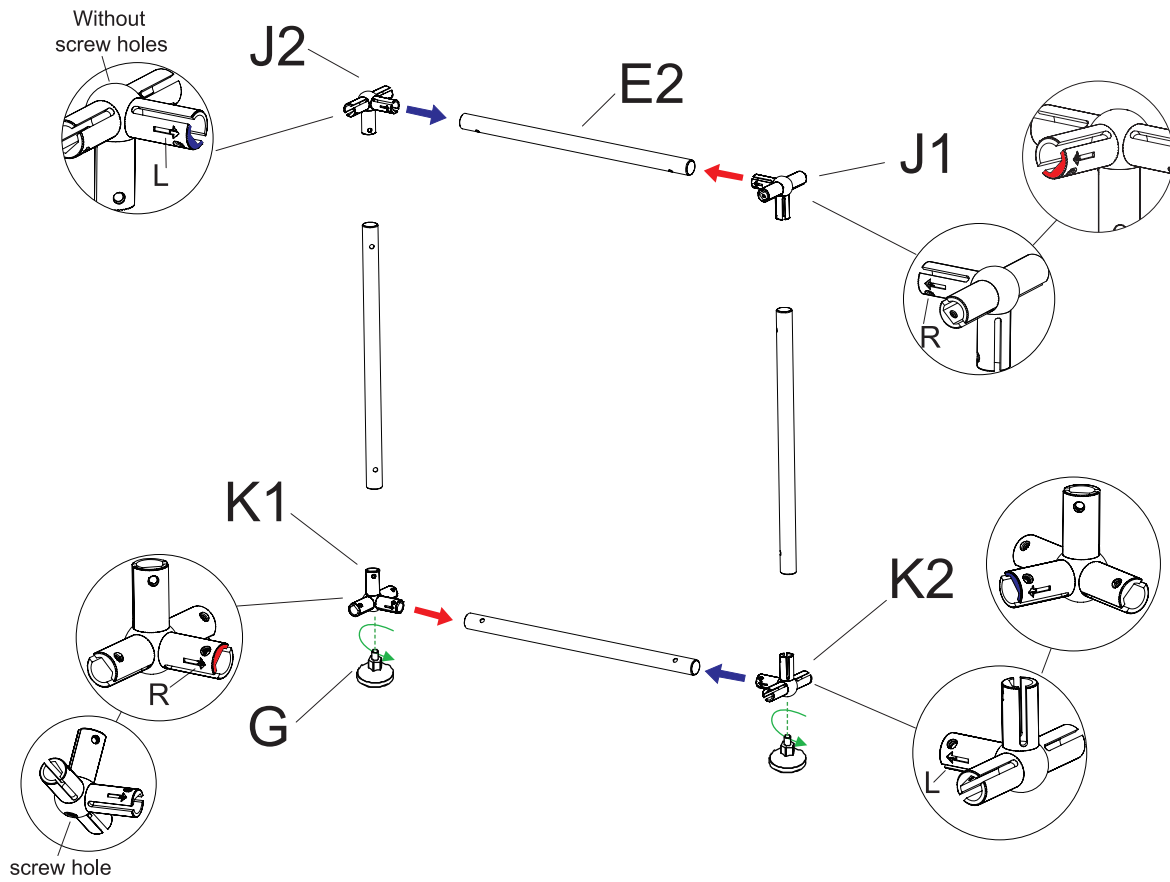
# Step2



Do not tighten the **M** screws completely, otherwise it will not be possible to adjust the overall product later.

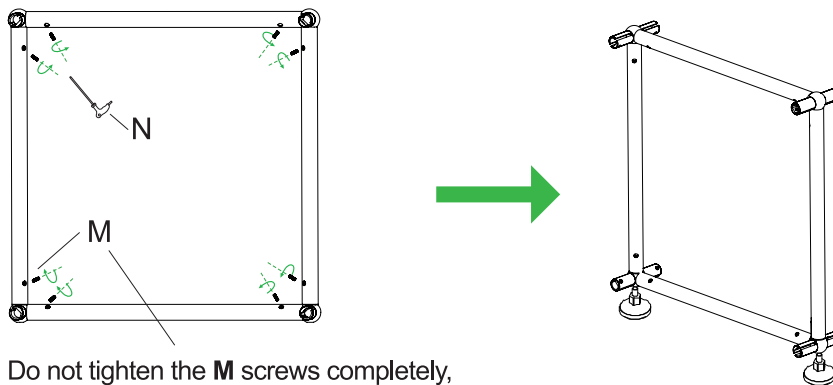
Mx8  
Step2x2

### Step3



J1x1  
J2x1  
K1x1  
K2x1  
E2x4  
Gx2

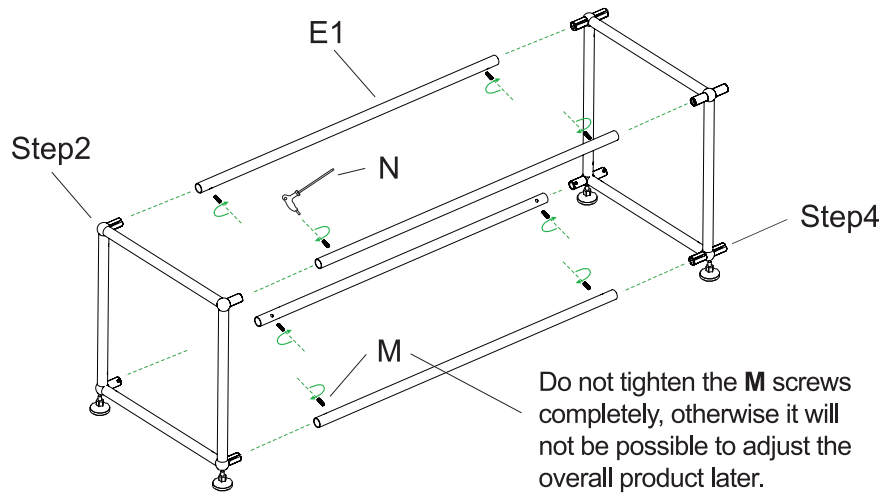
### Step4



Do not tighten the **M** screws completely, otherwise it will not be possible to adjust the overall product later.

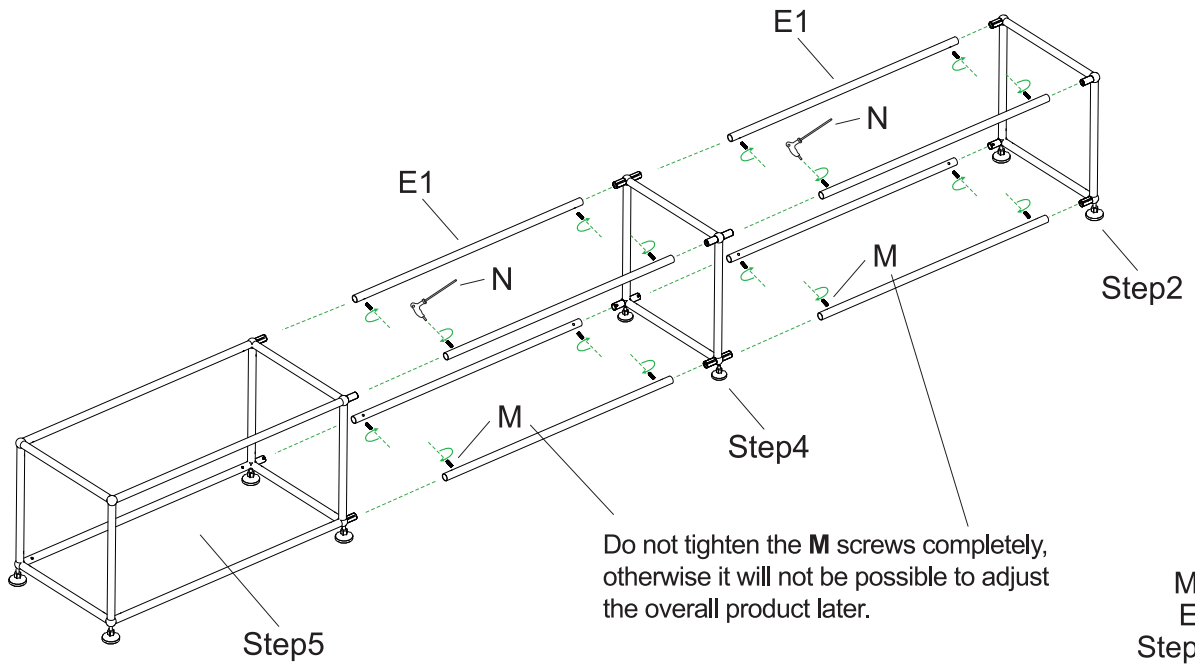
Mx8  
Step4x2

### Step5



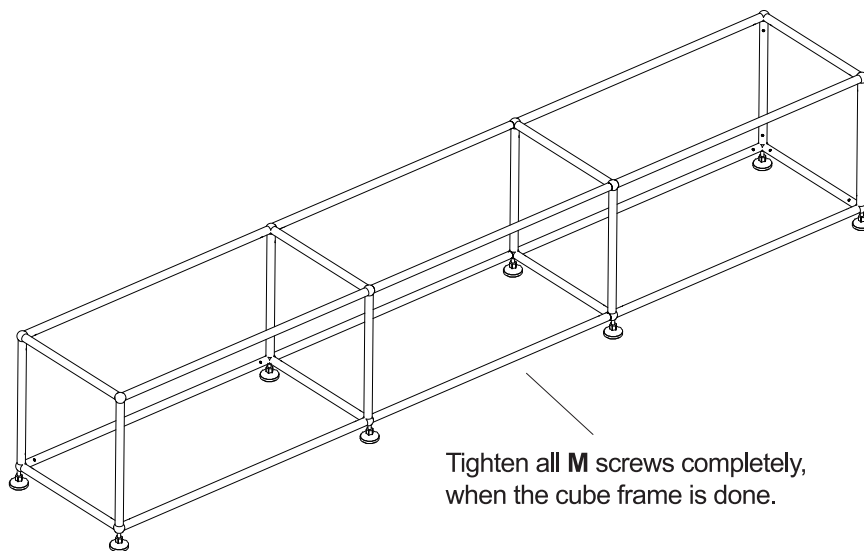
Mx8  
E1x4  
Step2x1  
Step4x1

### Step6

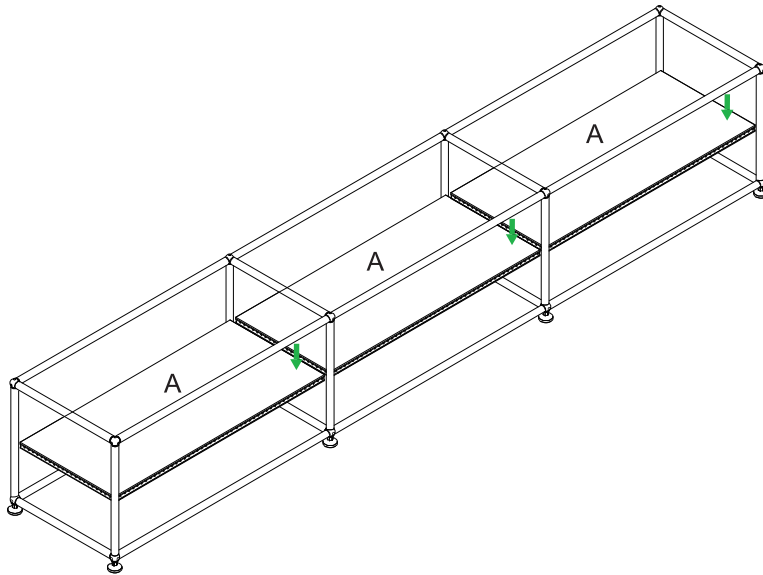


Mx16  
E1x8  
Step5x1  
Step2x1  
Step4x1

### Step7

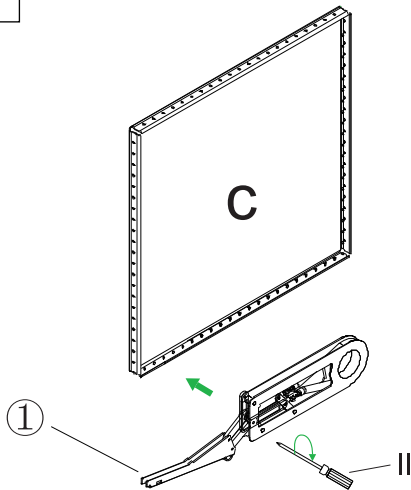


### Step8



Ax3

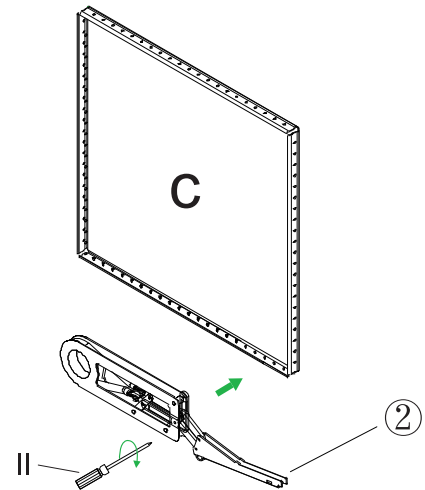
### Step9



Partially unscrew the three screws in ① before installing it on the metal panel.

Cx1  
①x1  
Step9x1

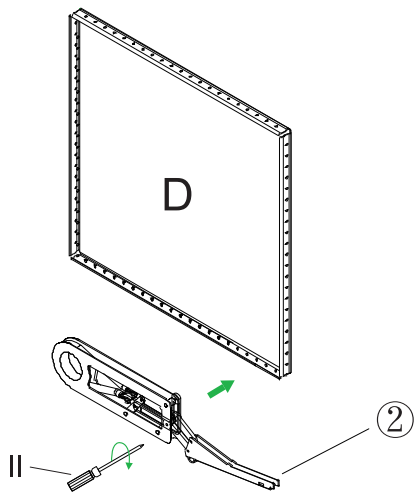
### Step10



Partially unscrew the three screws in ② before installing it on the metal panel.

Cx1  
②x1  
Step10x1

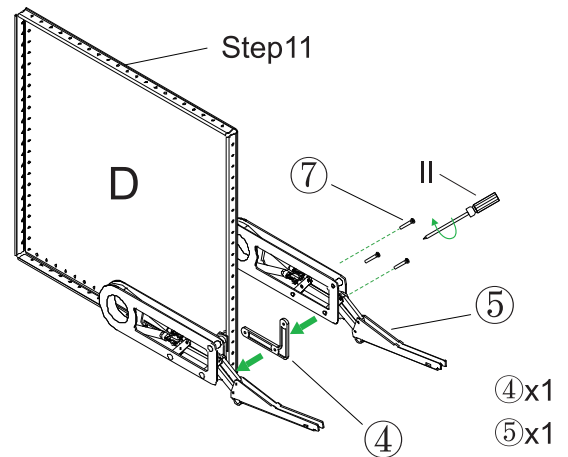
### Step11



Partially unscrew the three screws in ② before installing it on the metal panel.

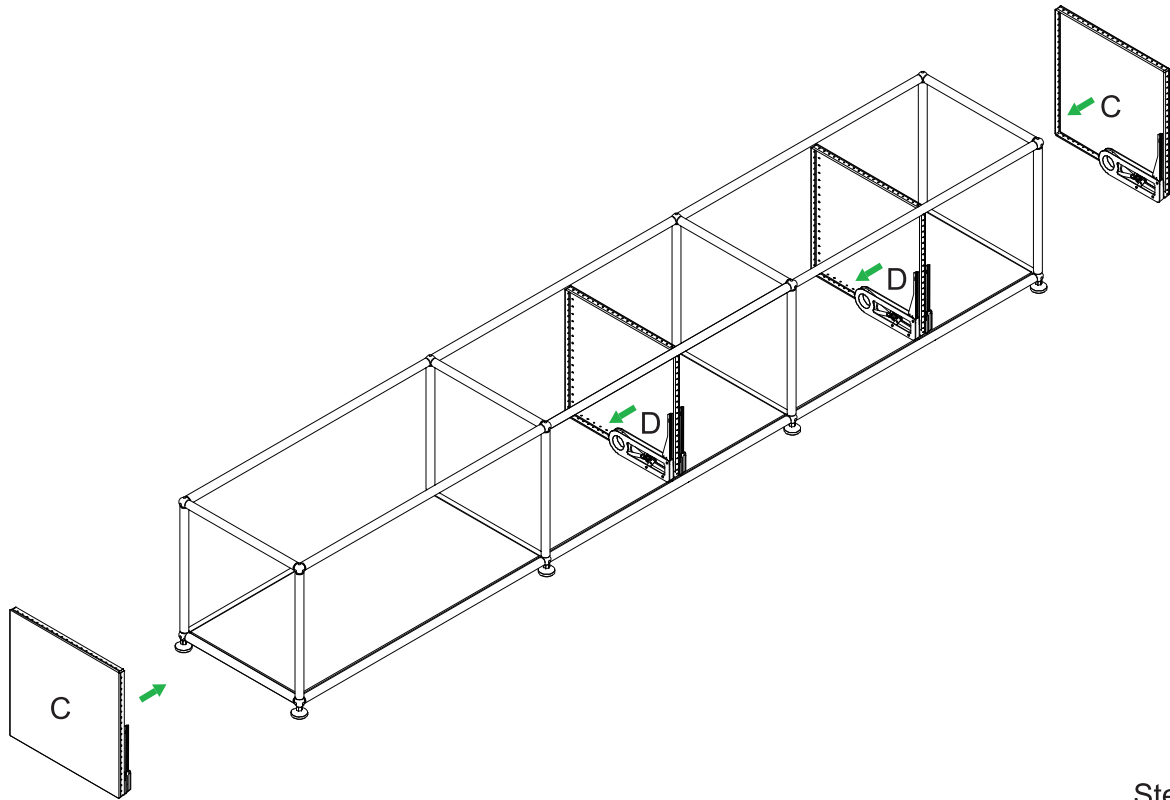
Dx1  
②x1  
Step11x2

### Step12



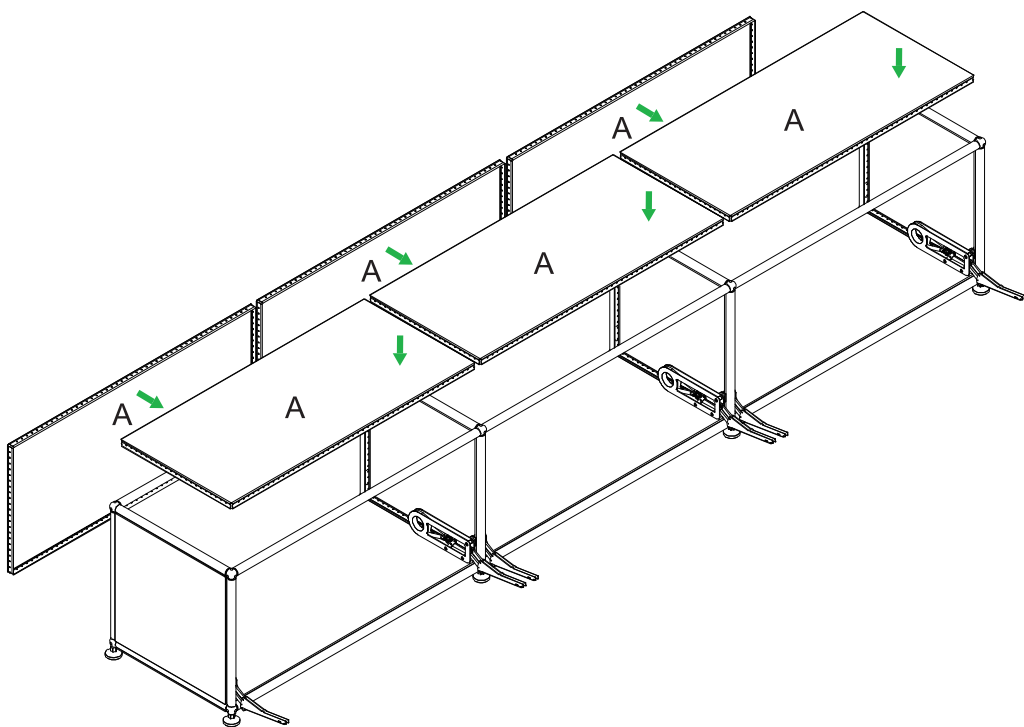
④x1  
⑤x1  
⑦x3  
Step11x1  
Step12x2

**Step13**



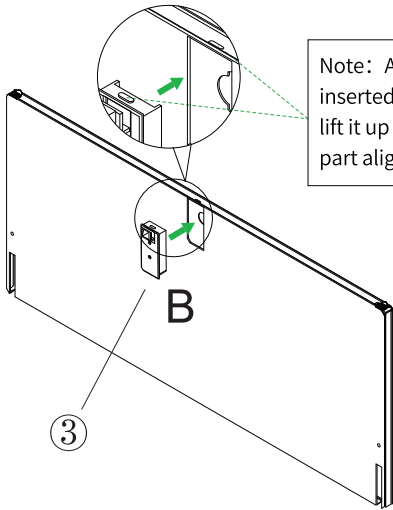
Step9x1  
Step10x1  
Step12x2

**Step14**



Ax6

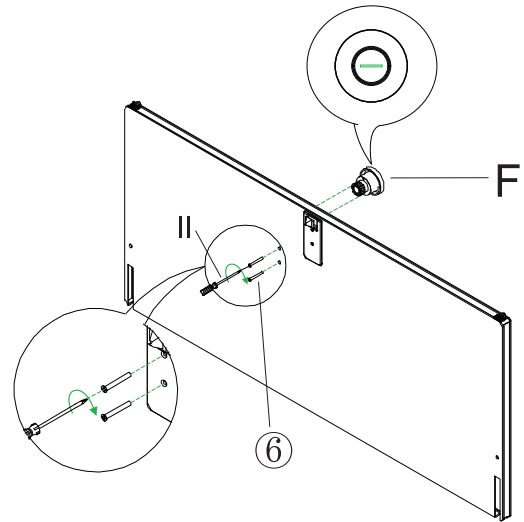
**Step15**



Note: After the lock box is inserted into the square hole, lift it up so that the convex part aligns with the hole.

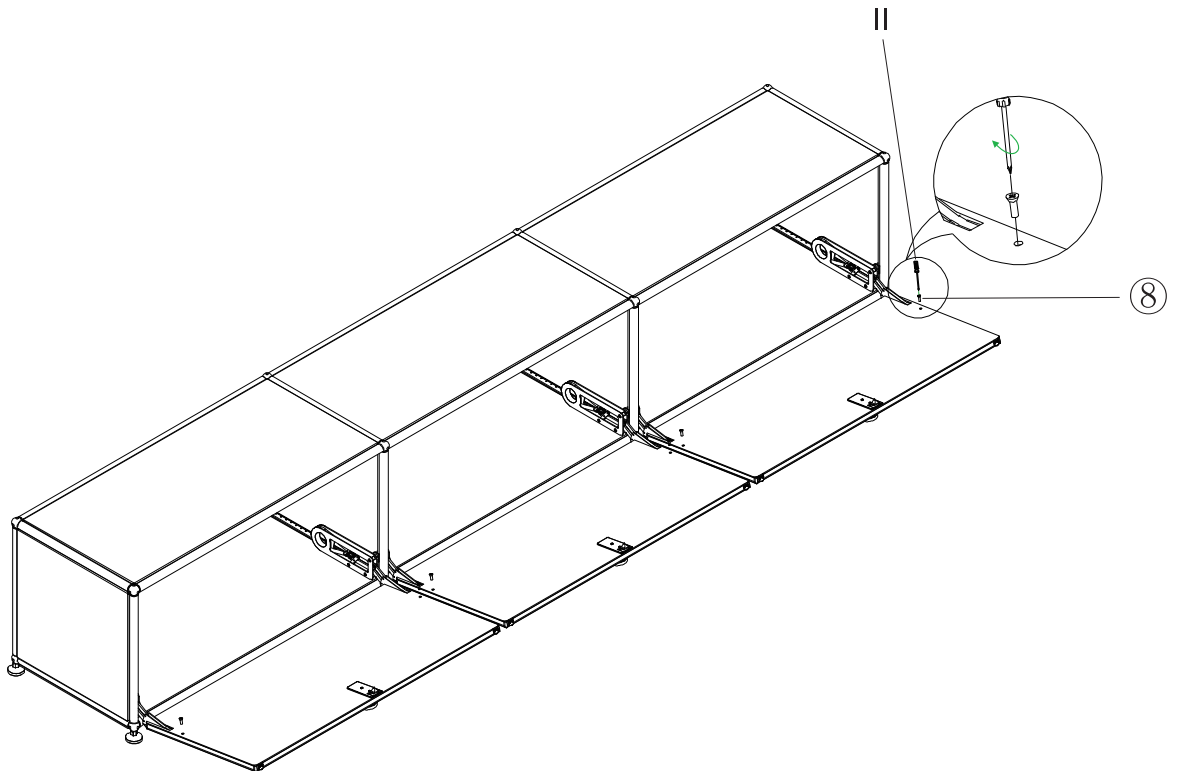
③x1  
Bx1

**Step16**



⑥x2  
Fx1  
Step16x3

**Step17**



⑧x6

# Finish

