



Verdera®
mirrored side kit for medicine cabinet
K-99012

Features

- Required for surface mounting of Verdera medicine cabinets.
- Includes two side mirrors and all hardware.

Material

- Mirrored glass construction.

Installation

- Includes all hardware.

Recommended Products/Accessories

- K-99000 Medicine Cabinet
- K-99001 Medicine Cabinet
- K-99002 Medicine Cabinet
- K-99003 Medicine Cabinet
- K-99006 Medicine Cabinet
- K-99007 Medicine Cabinet
- K-99008 Medicine Cabinet
- K-99009 Medicine Cabinet
- K-99010 Medicine Cabinet
- K-99011 Medicine Cabinet
- K-99005-L Medicine Cabinet
- K-99005-R Medicine Cabinet
- K-23723 Faucet cleaner

Included Components

Additional Components:

- Hardware
- Side mirror (Qty 2)

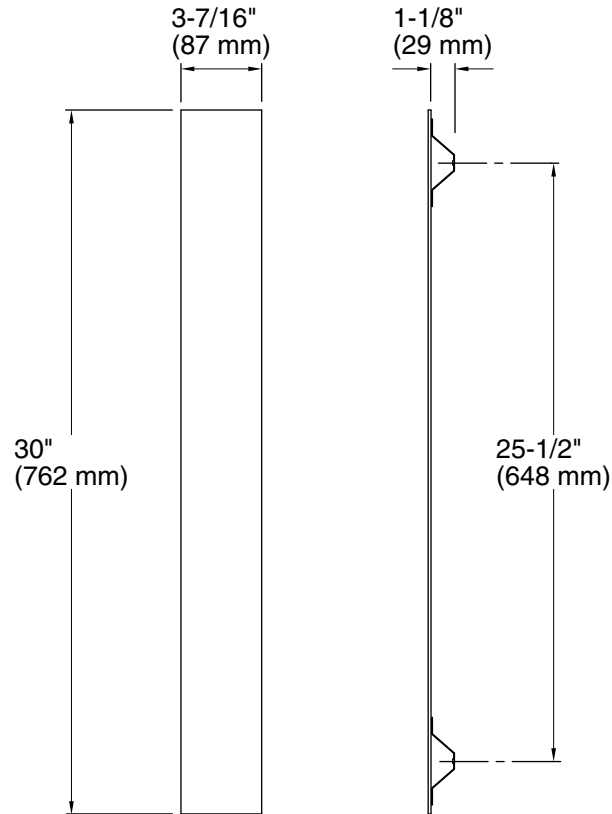


Codes/Standards

None Applicable

**KOHLER® One-Year Limited
Warranty**

See website for detailed warranty information.



Technical Information

All product dimensions are nominal.

Installation Type: Surface-mount

Material: Glass

Notes

Install this product according to the installation guide.