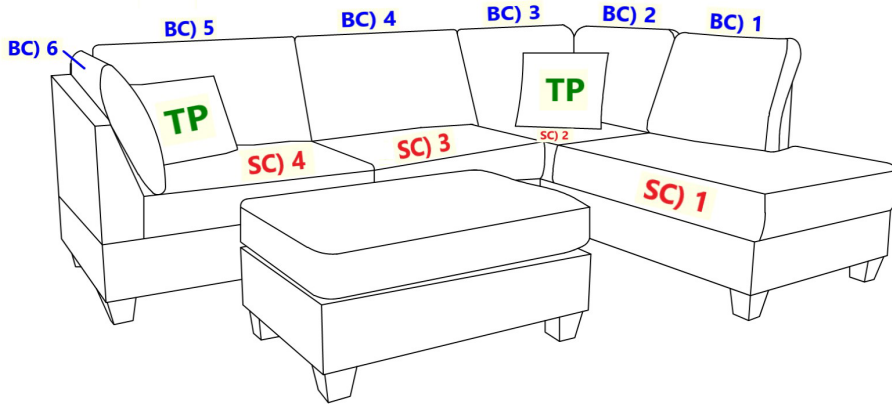


Installation & Assembly

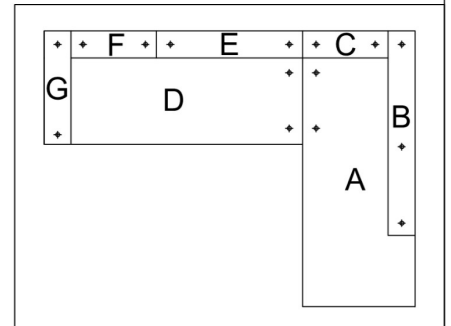
*** NOTICE BEFORE ASSEMBLY ***
 PLEASE CHOOSE THE CHAISE WILL BE ON THE LEFT OF RIGHT HAND SIDE

ASSEMBLY INSTRUCTION 1: CHAISE ON THE RIGHT



Before assembly, open both Box 1 and Box 2 to switch between Part C and Part F. And you will get the direction of right chaise.

BC - Back Cushion
SC - Seat Cushion
TP - Throw Pillow

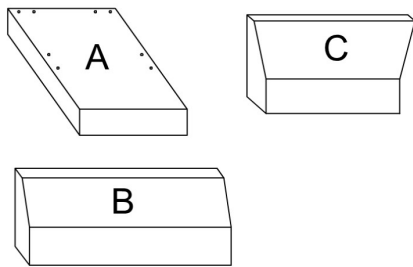


BOX 1 - CHAISE

PARTS LIST

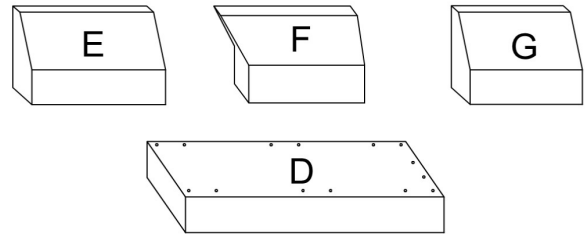
BOX 2 - SOFA

BOX-1



*Cushions, pillow and legs included

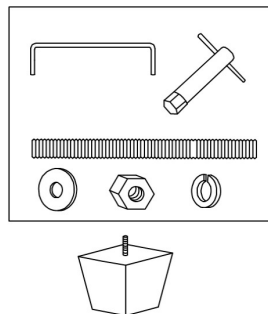
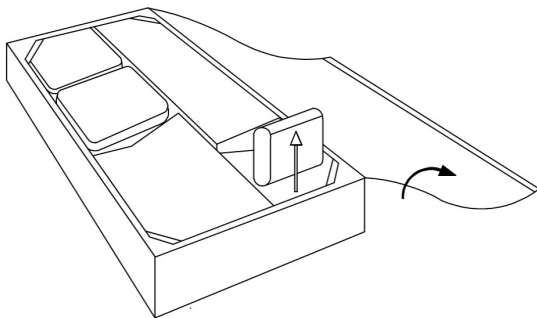
BOX-2



*Cushions, pillow and legs included

1	X 11	2	X 11	3	X 11
4	X 11	5	X 1	6	X 8
				7	X 2

BEFORE ASSEMBLY

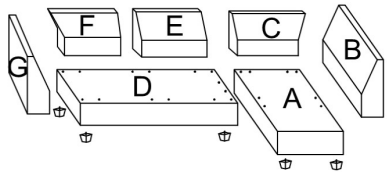


Contents under compression, please allow 24 hours for cushion to fully reinflate.

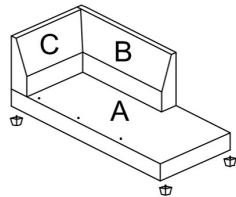
Open up the Velcro of Non-Woven Fabric cover on the bottom of the seat frame to remove seat cushions, back cushions and pillow.

*** PLEASE REMOVE ALL PARTS FROM SEAT FRAMES AND BACKS BEFORE ASSEMBLY ***

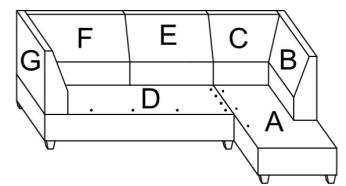
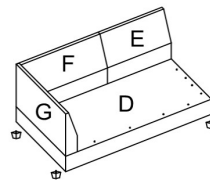
CHAISE ON THE RIGHT



CHAISE - BOX 1



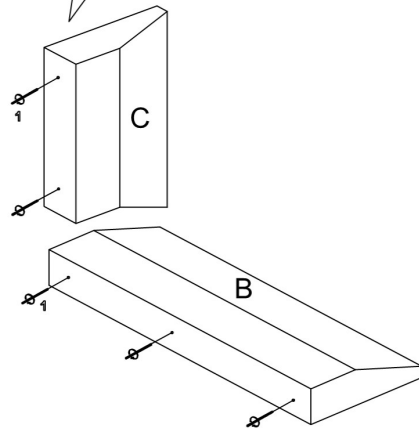
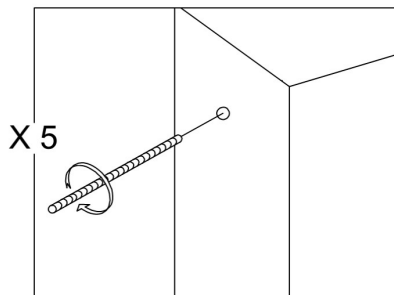
SOFA - BOX 2



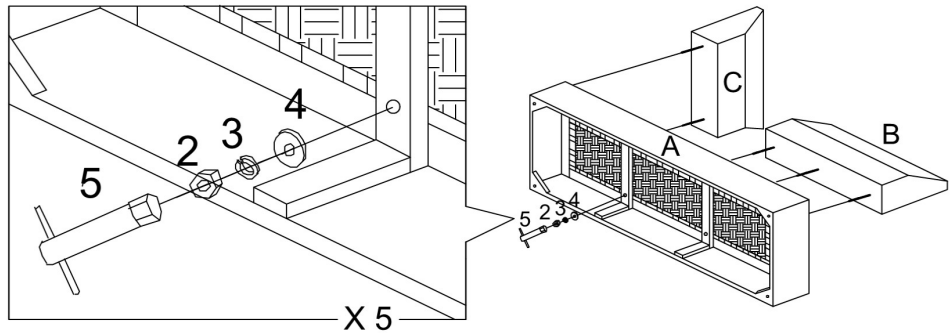
CHAISE ASSEMBLY INSTRUCTION-BOX 1

STEP 1 - INSERT THREADED RODS INTO SEAT BACKS

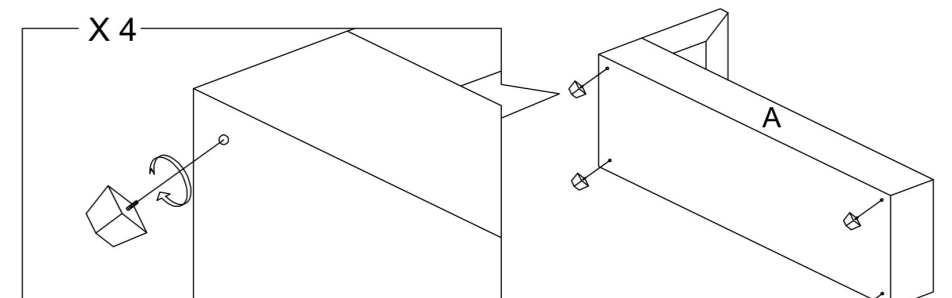
"Stop when the rod starts coming out on the other end"



STEP 2 - MOUNTED SEAT BACKS INTO THE SEAT FRAME

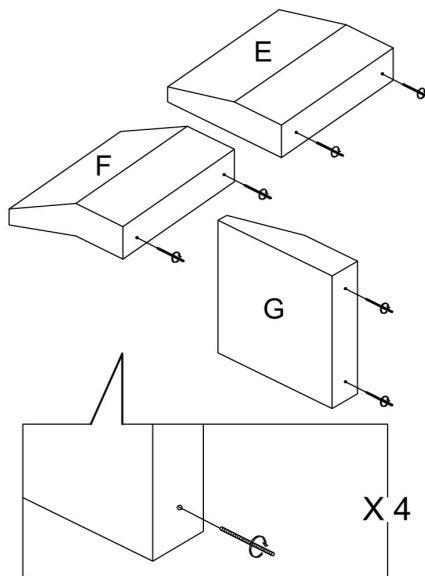


STEP 3 - PUT BACK THE FABRIC COVER AND INSERT LEGS



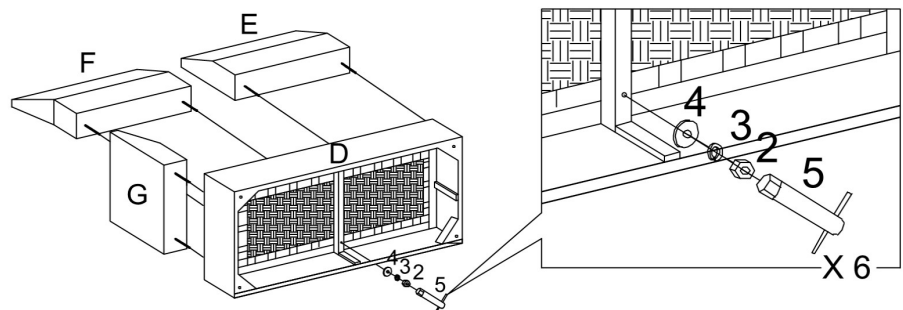
SOFA ASSEMBLY INSTRUCTION-BOX 2

STEP 1 - INSERT THREADED RODS INTO SEAT BACKS

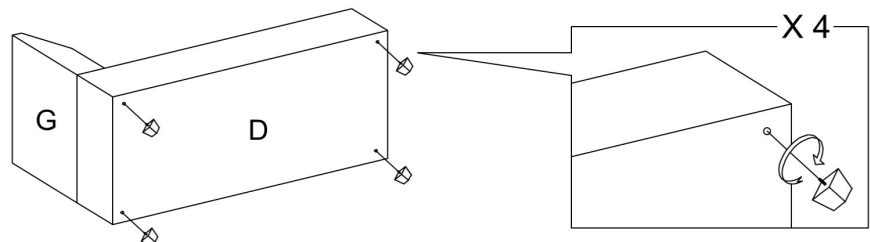


"Stop when the rod starts coming out on the other end"

STEP 2 - MOUNTED SEAT BACKS INTO THE SEAT FRAME



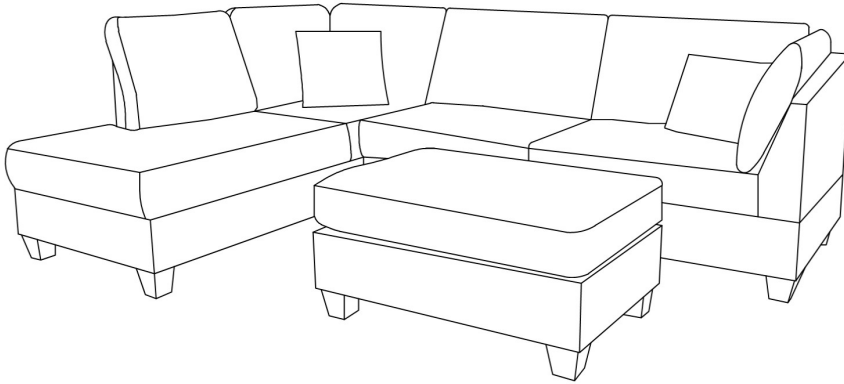
STEP 3 - PUT BACK THE FABRIC COVER AND INSERT LEGS



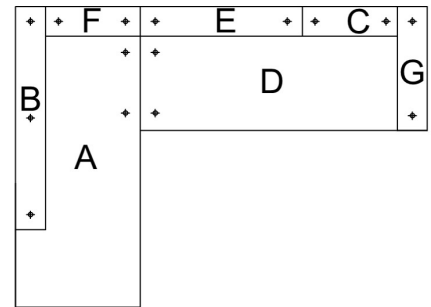
NOTICE BEFORE ASSEMBLY

PLEASE CHOOSE THE CHAISE WILL BE ON THE LEFT OF RIGHT HAND SIDE

ASSEMBLY INSTRUCTION 2 : CHAISE ON THE LEFT

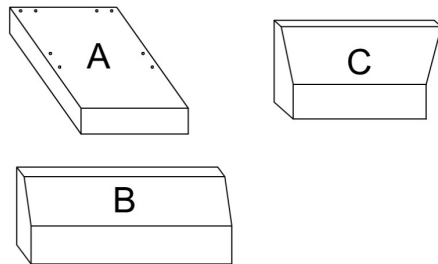


Before assembly, open both Box 1 and Box 2 to switch between Part C and Part F. And you will get the direction of right chaise.



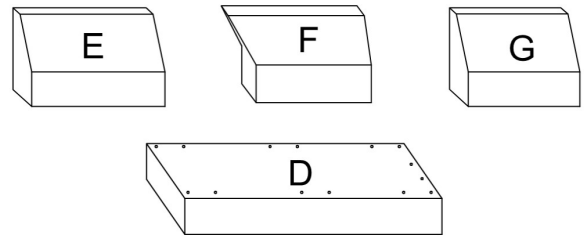
PARTS LIST

BOX-1



*Cushions, pillow and legs included

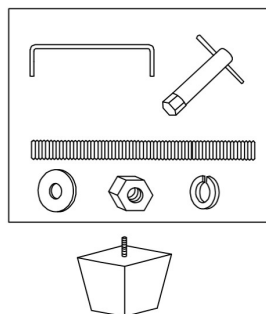
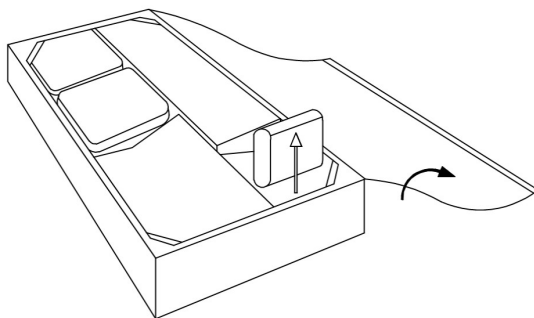
BOX-2



*Cushions, pillow and legs included

1	X 11	2	X 11	3	X 11
4	X 11	5	X 1	6	X 8
				7	X 2

BEFORE ASSEMBLY

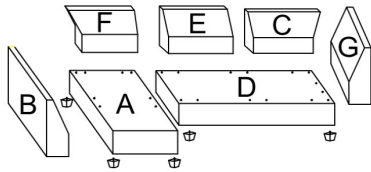


Contents under compression, please allow 24 hours for cushion to fully reinflate.

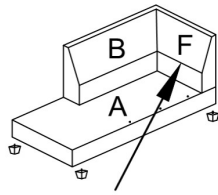
Open up the Velcro of Non-Woven Fabric cover on the bottom of the seat frame to remove seat cushions, back cushions and pillow.

*** PLEASE REMOVE ALL PARTS FROM SEAT FRAMES AND BACKS BEFORE ASSEMBLY ***

CHAISE ON THE LEFT

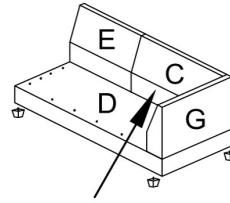


CHAISE - BOX 1

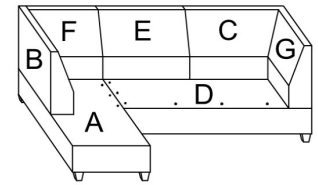


FORM PRODUCT 2

SOFA - BOX 2



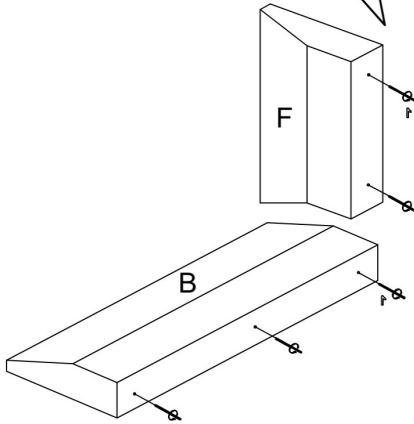
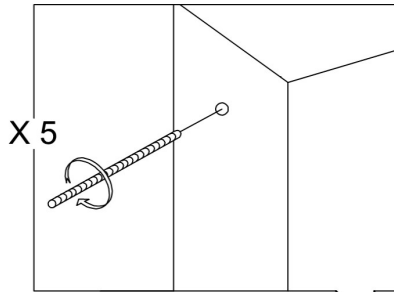
FORM PRODUCT 1



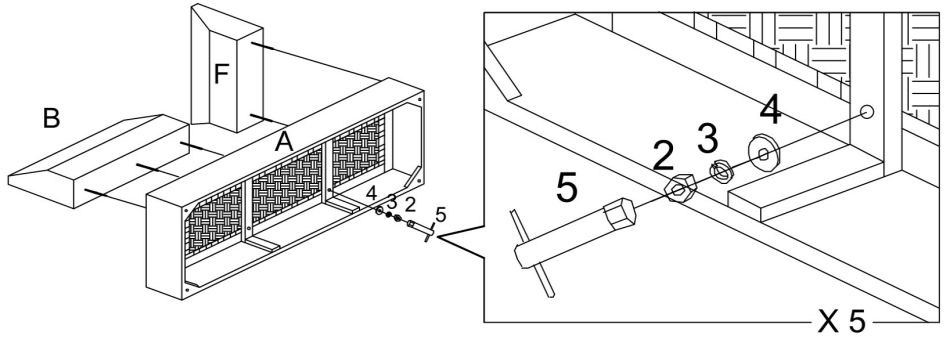
CHAISE ASSEMBLY INSTRUCTION-BOX 1

STEP 1 - INSERT THREADED RODS INTO SEAT BACKS

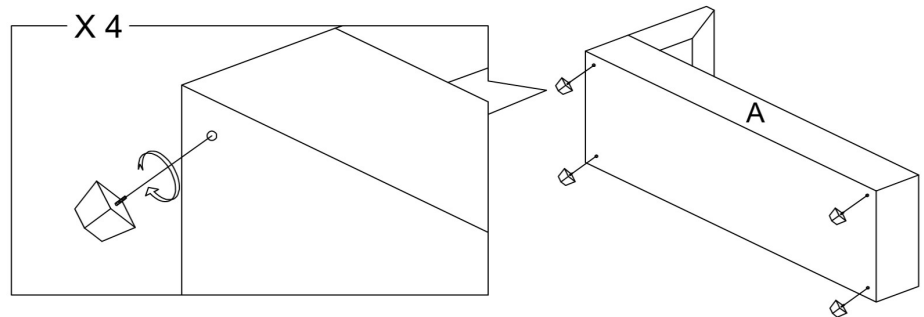
"Stop when the rod starts coming out on the other end"



STEP 2 - MOUNTED SEAT BACKS INTO THE SEAT FRAME

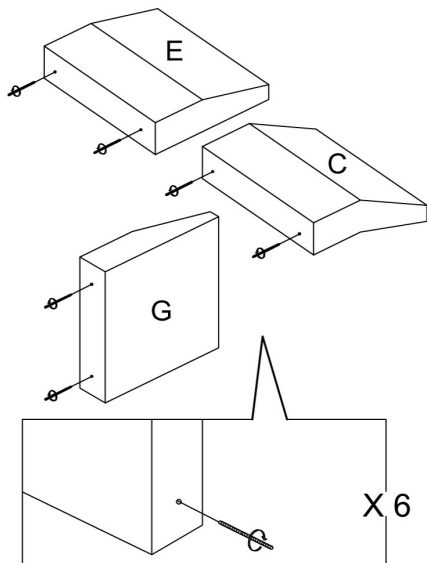


STEP 3 - PUT BACK THE FABRIC COVER AND INSERT LEGS



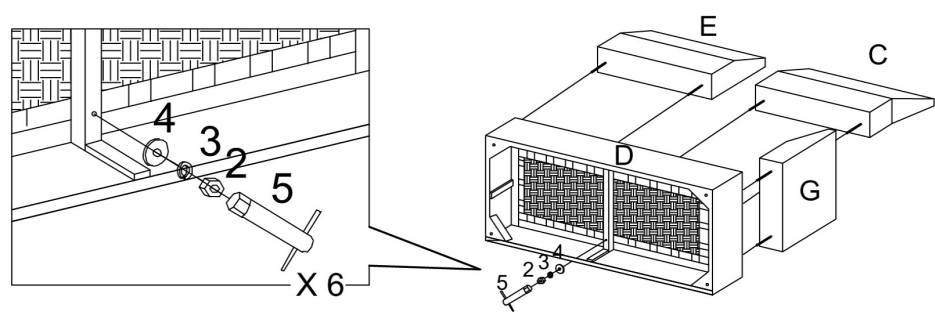
SOFA ASSEMBLY INSTRUCTION-BOX 2

STEP 1 - INSERT THREADED RODS INTO SEAT BACKS

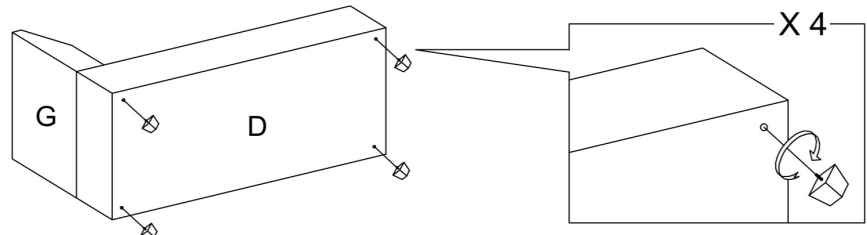


"Stop when the rod starts coming out on the other end"

STEP 2 - MOUNTED SEAT BACKS INTO THE SEAT FRAME

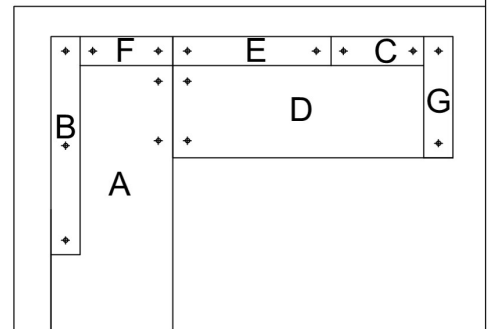
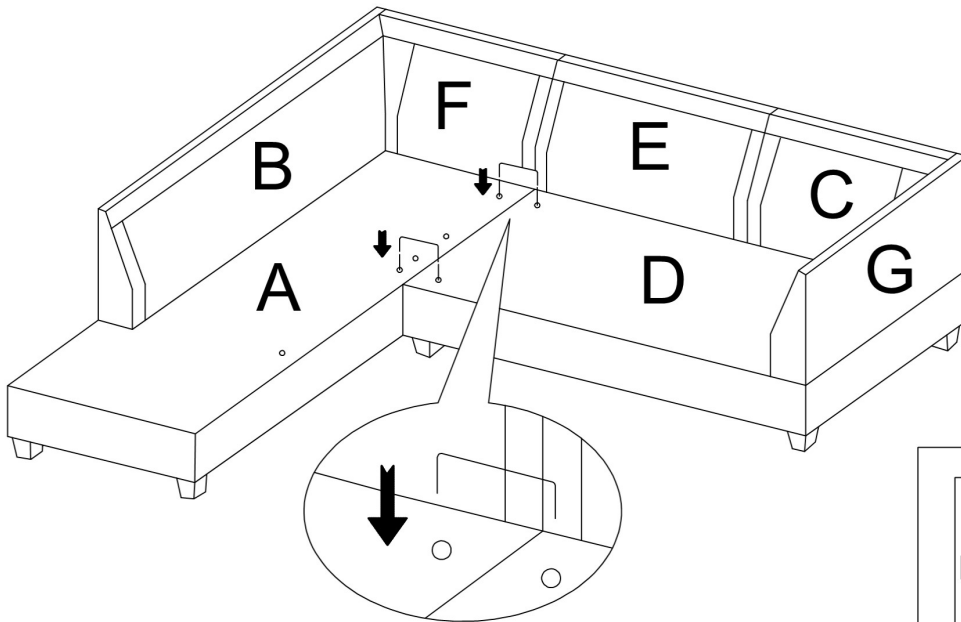
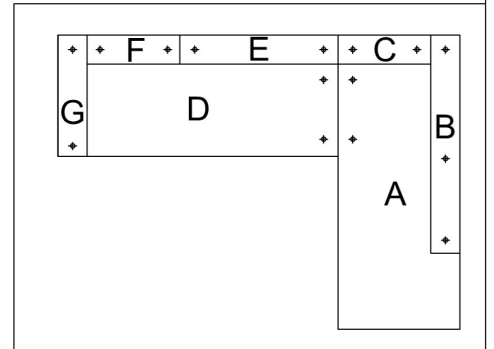
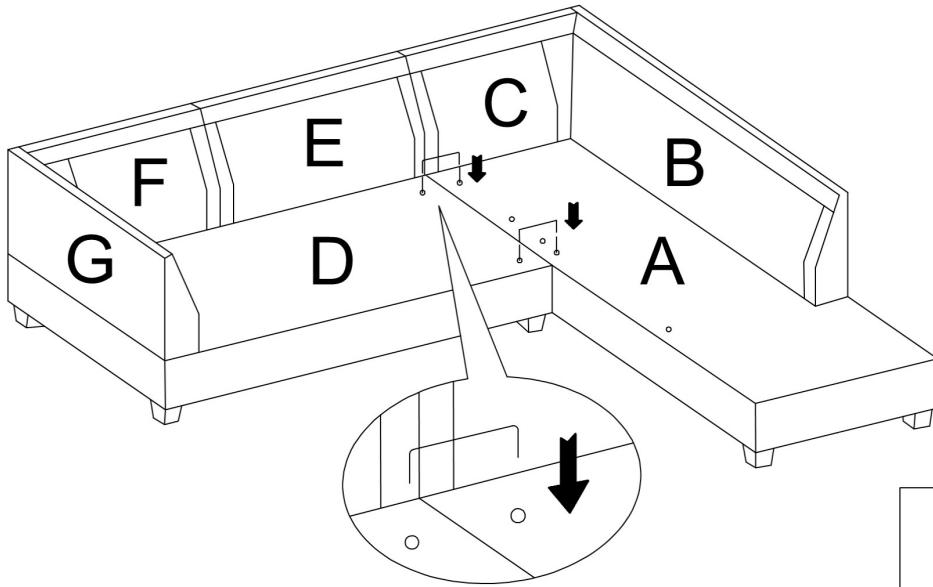


STEP 3 - PUT BACK THE FABRIC COVER AND INSERT LEGS

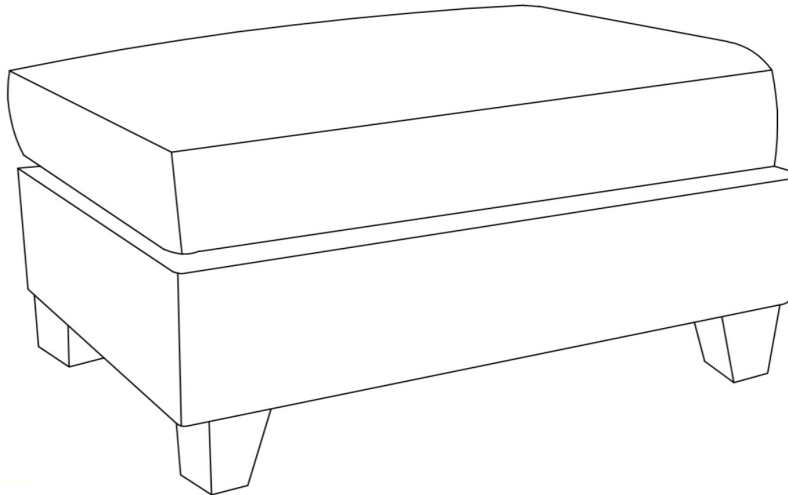


CHAISE + SOFA (SECTIONAL)

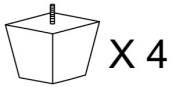
CHAISE + SOFA CAN BE ATTACHED TOGETHER BY "n" SHAPE HANGER AS THE DRAWINGS SHOWN BELOW.



Assembly Instructions

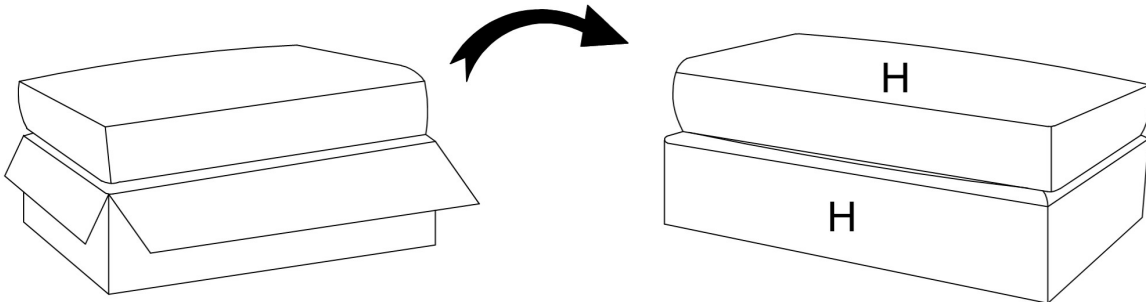


BOX 3 - OTTOMAN



1

STEP 1



STEP 2

