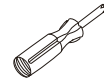


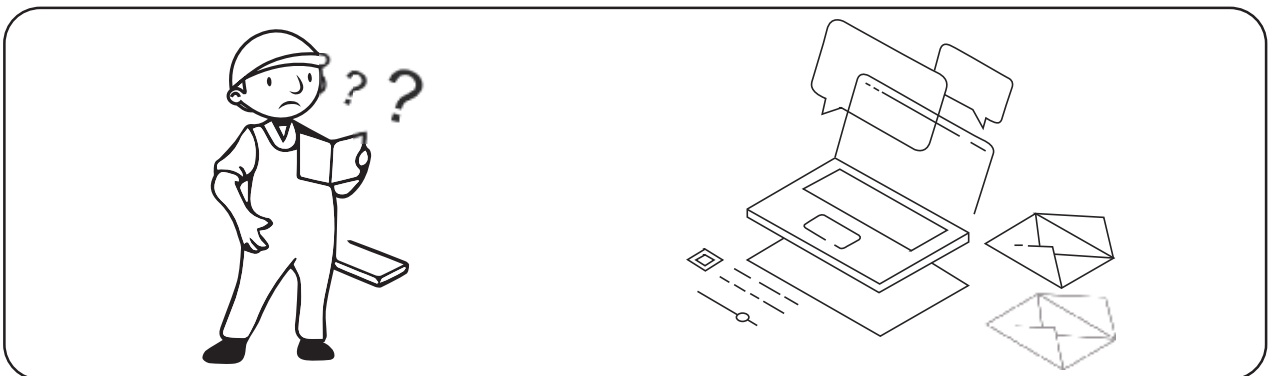
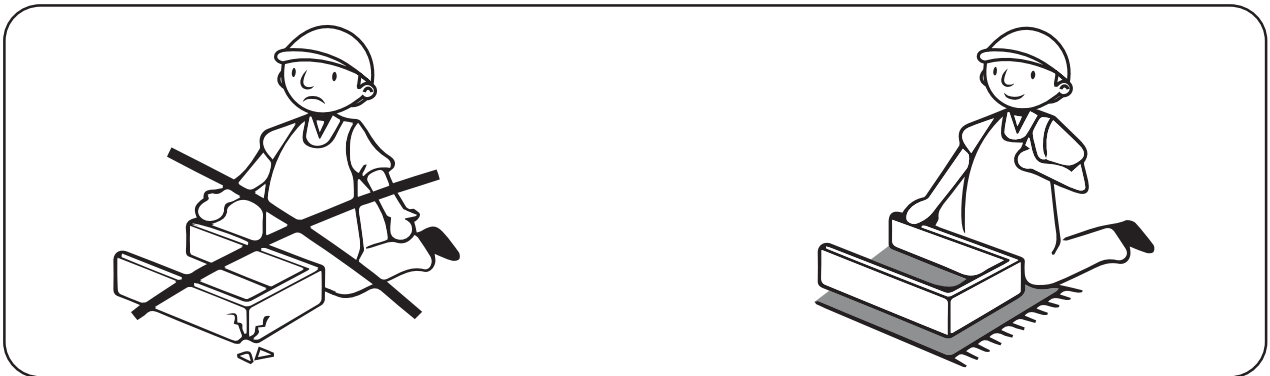
INSTALLATION MANUAL



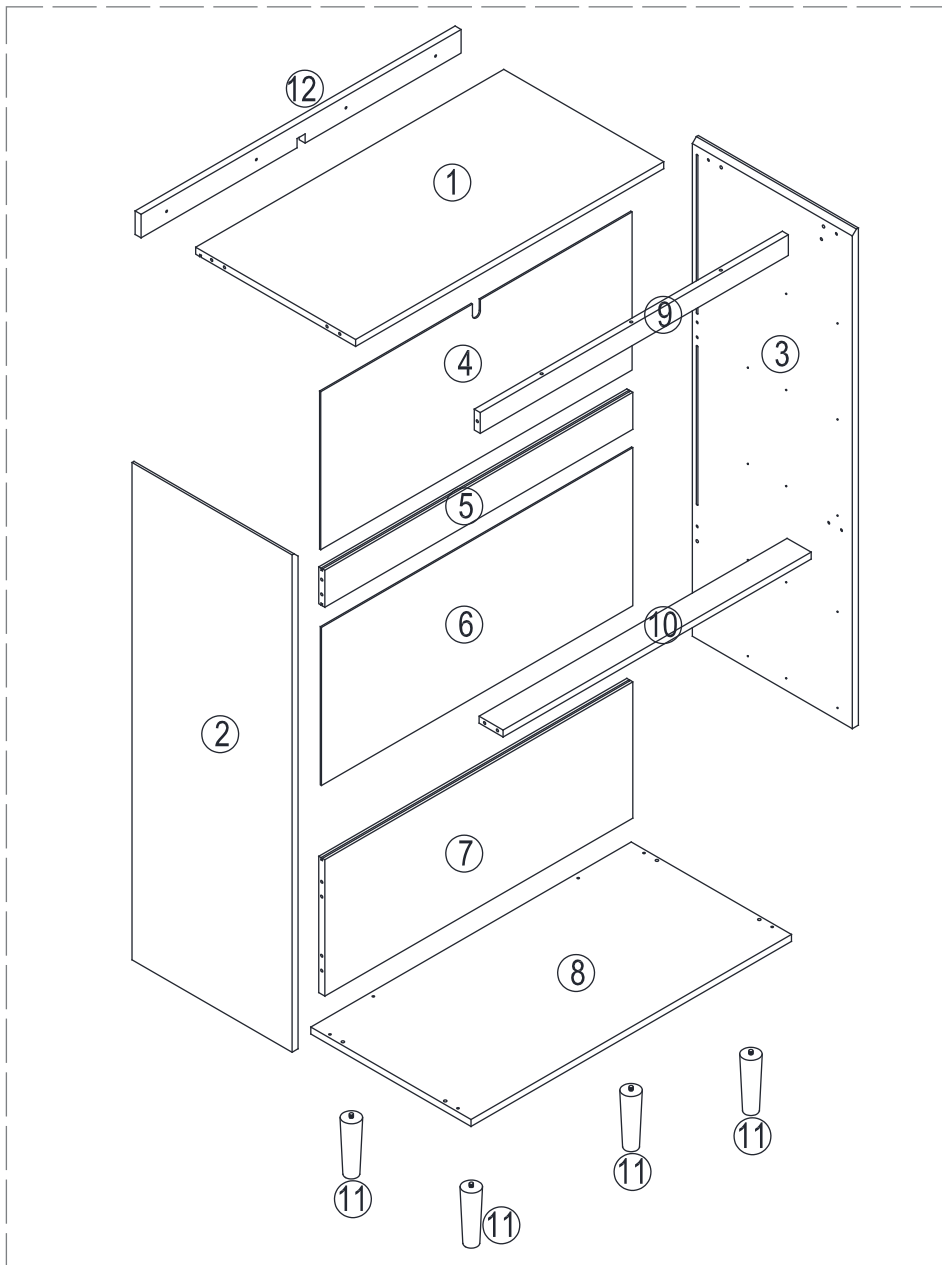
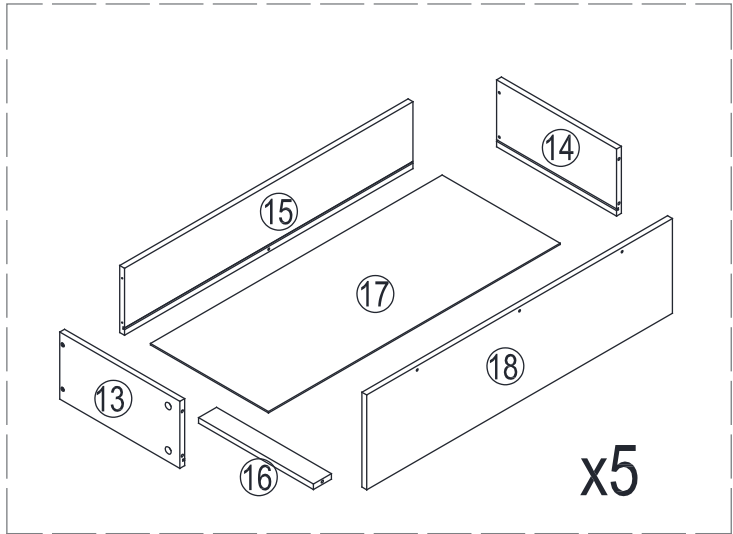
* Guests need to prepare their own :

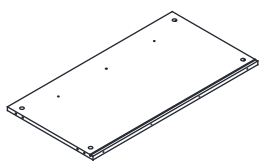


Phillips screwdriver

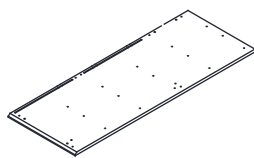


PARTS

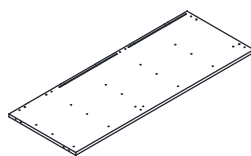




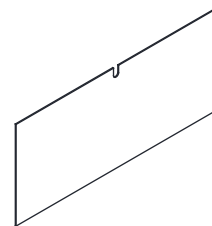
① x 1PC



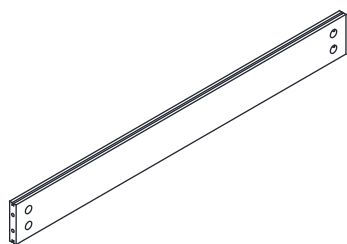
② x 1PC



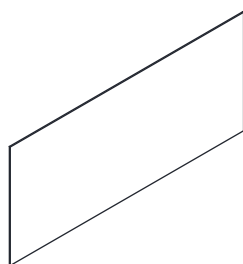
③ x 1PC



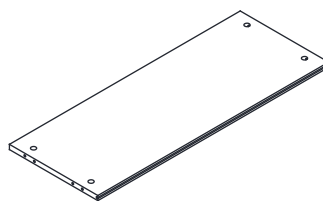
④ x 1PC



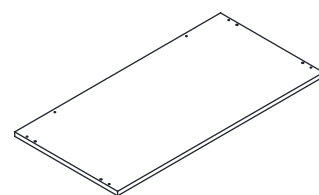
⑤ x 1PCS



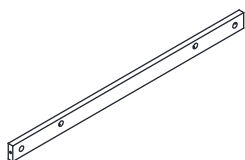
⑥ x 1PC



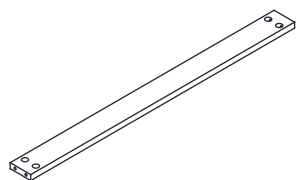
⑦ x 1PC



⑧ x 1PC



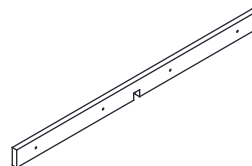
⑨ x 1PC



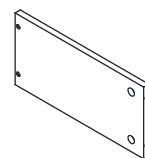
⑩ x 1PC



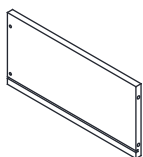
⑪ x 4PCS



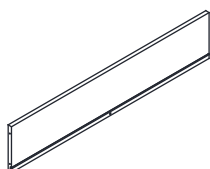
⑫ x 1PCS



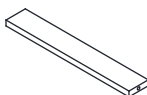
⑬ x 5PCS



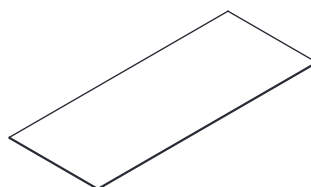
⑭ x 5PCS



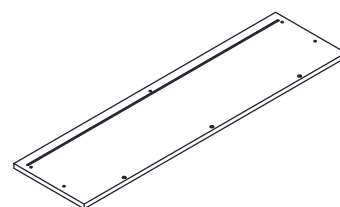
⑮ x 5PCS



⑯ x 5PCS



⑰ x 5PCS



⑱ x 5PCS



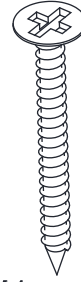
M6 x 35

A x 45 (+5)



Ø6 x 30

B x 15 (+2)



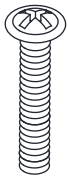
M4 x 35

C x 36 (+4)



M3.5 x 12

D x 60 (+7)



M4 x 14

E x 15 (+2)



M3 x 14

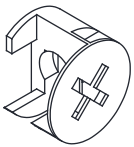
F x 8 (+1)



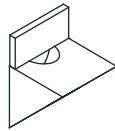
M4 x 12

G x 21 (+3)

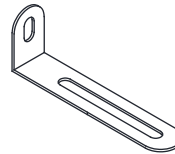
Scale 1 : 1



H x 45 (+5)



I x 8 (+1)



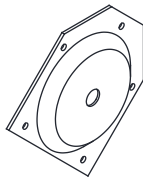
J x 1



K x 1

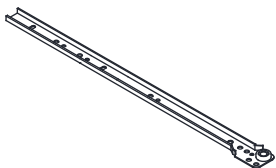


L x 5



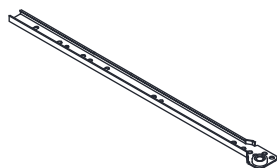
M x 4

Note: Some screws include extra pieces for your convenience. Please keep them in case of future use.



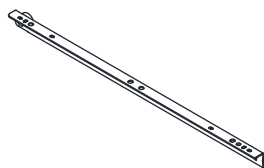
L = 300mm

CL x 5



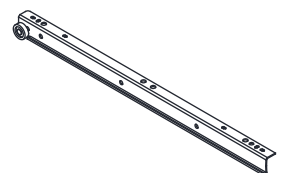
L = 300mm

CR x 5






L = 300mm

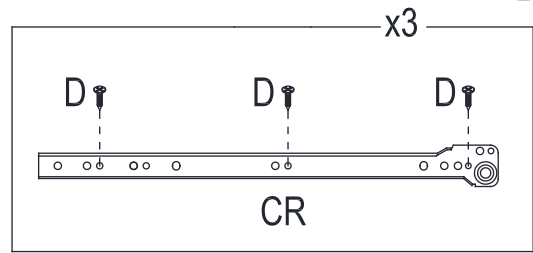
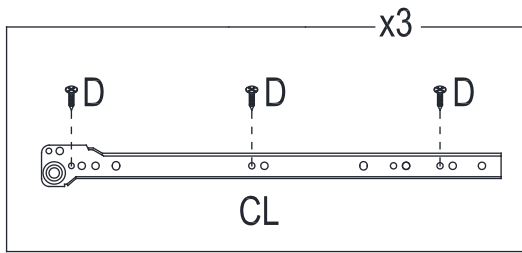
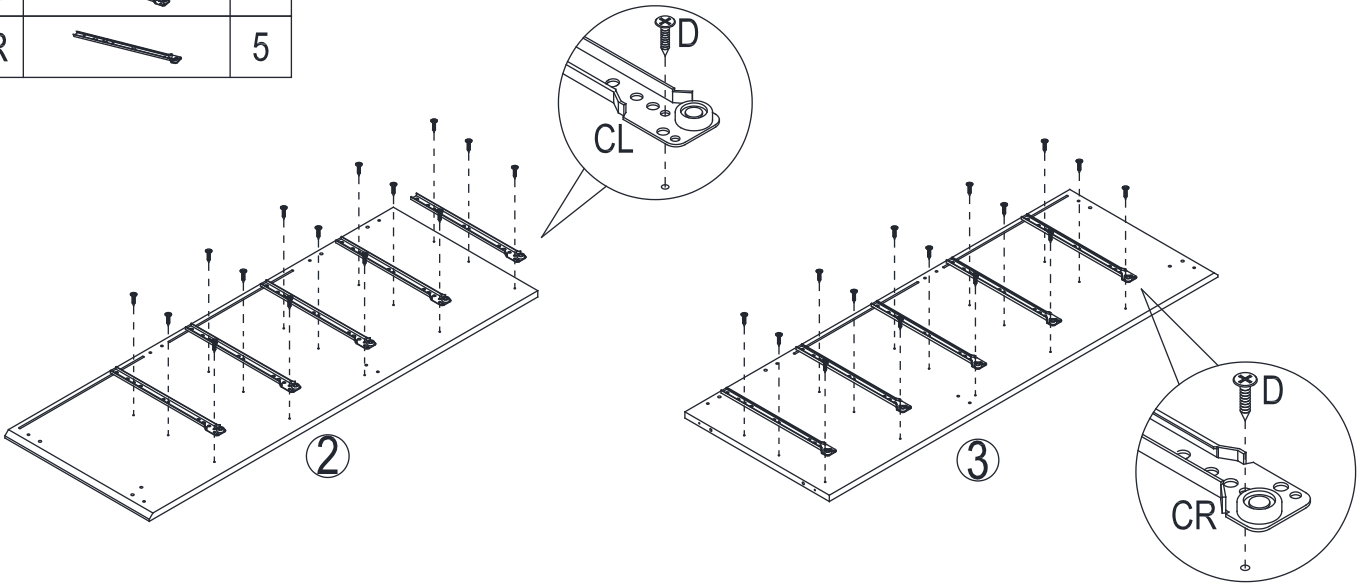
DL x 5



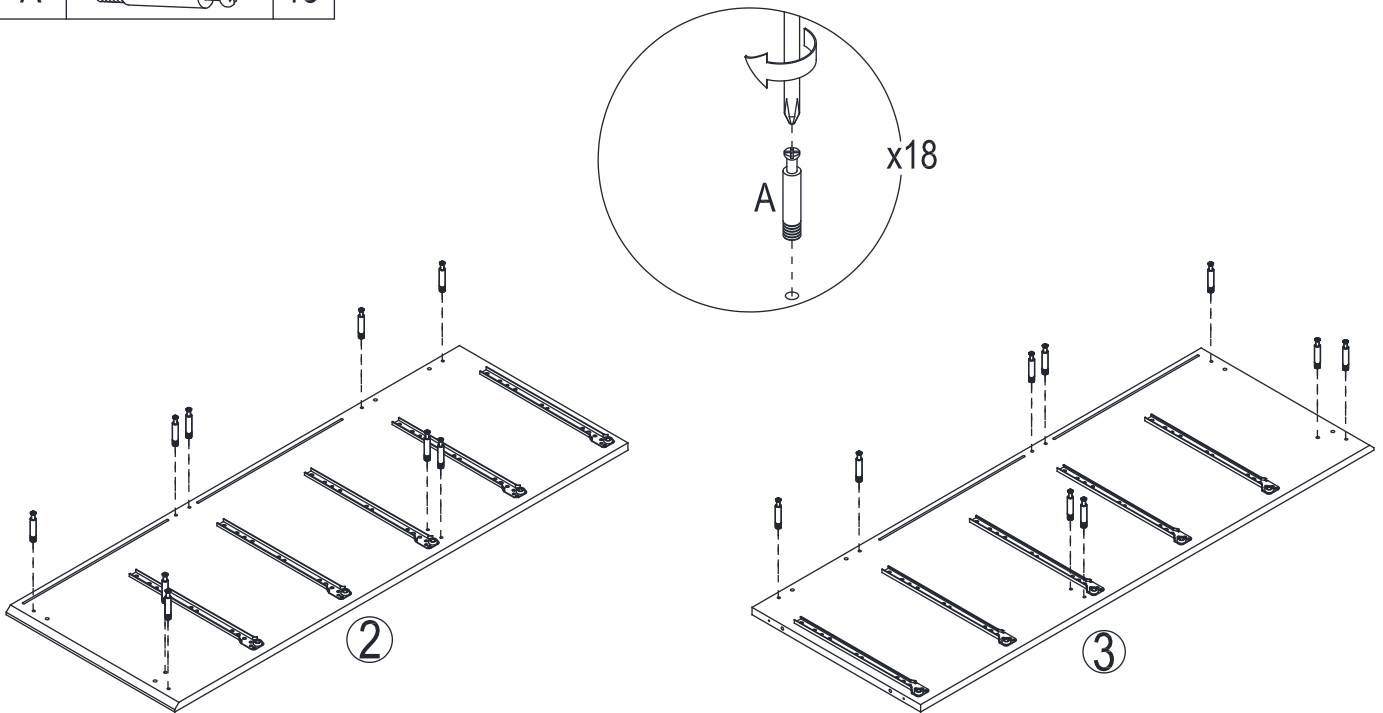
L = 300mm




DR x 5

D		30
CL		5
CR		5

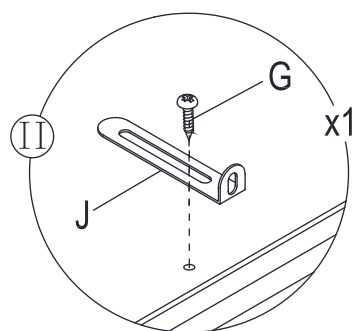
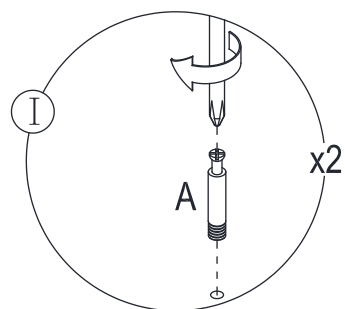
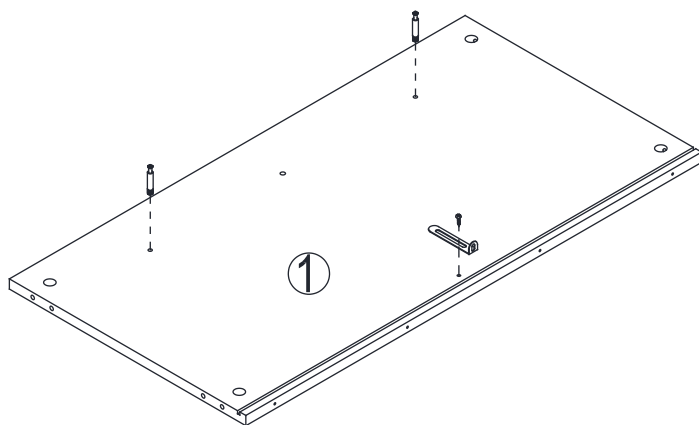




A		18
---	---	----

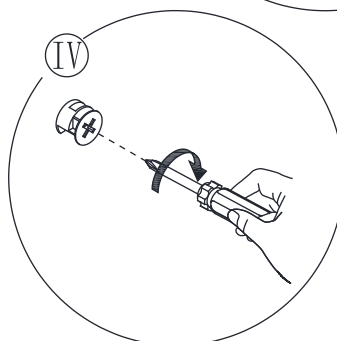
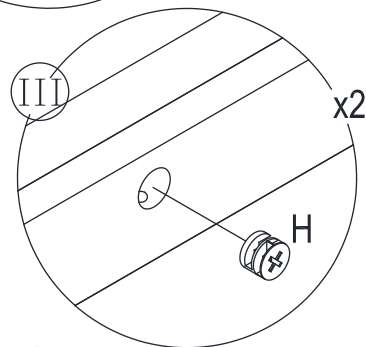
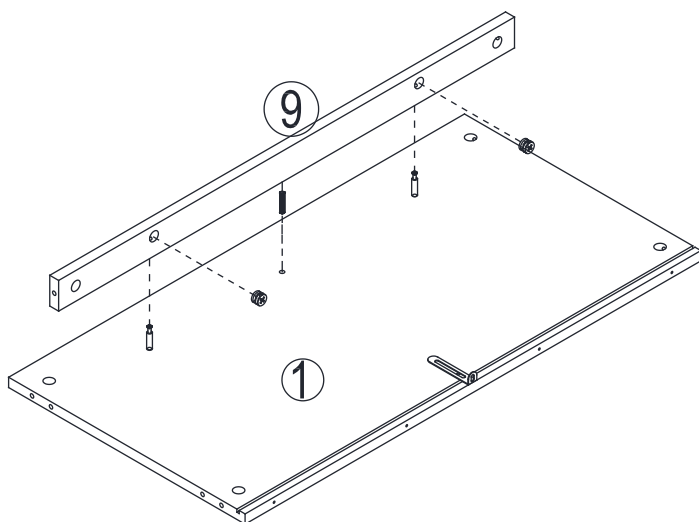
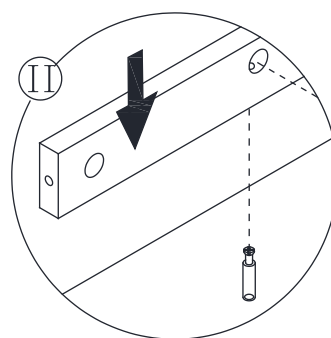
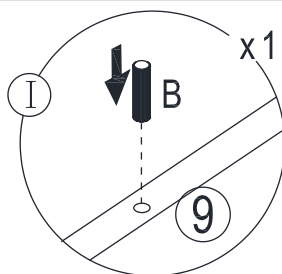




A		2
G		1
J		1

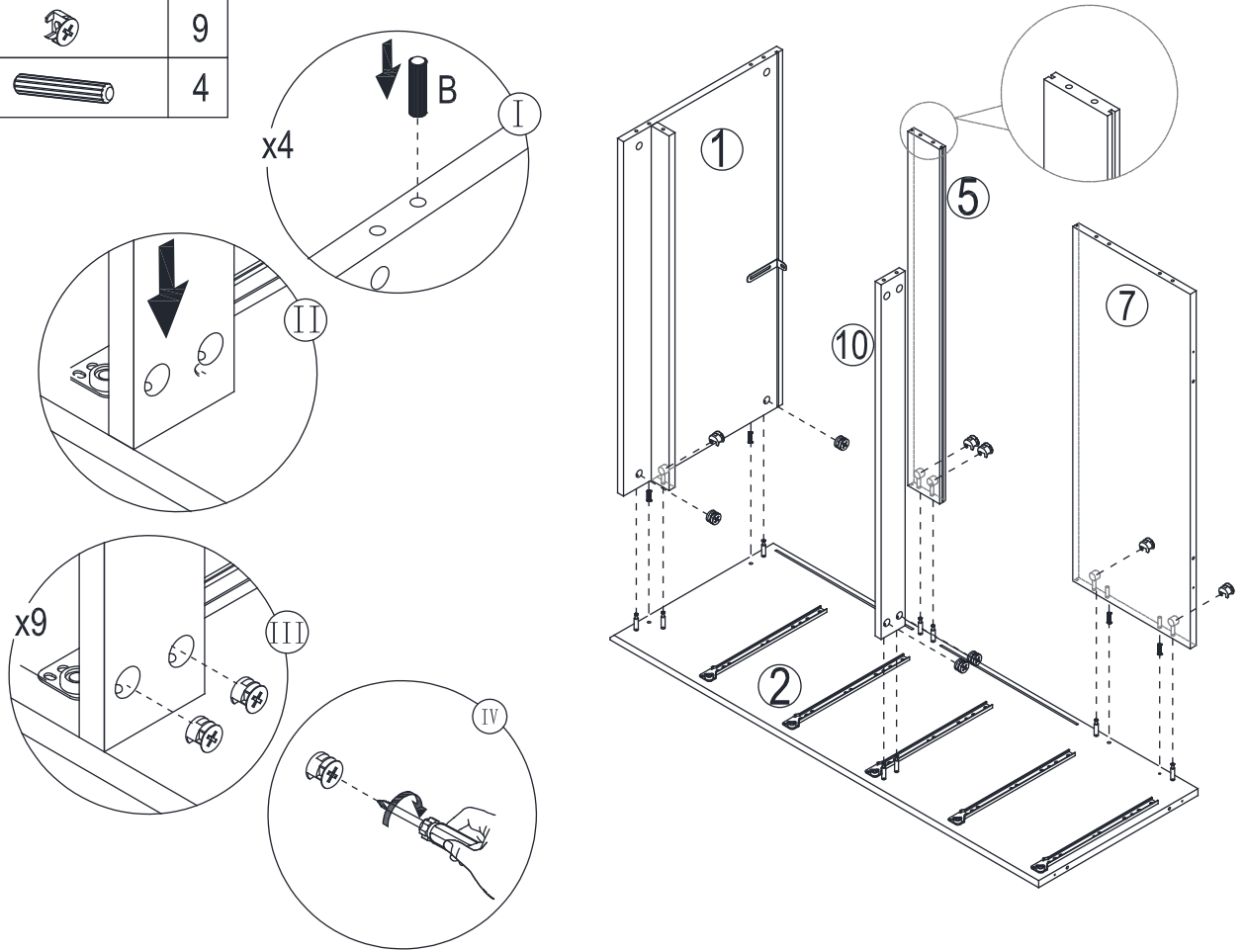
Secure the long side of the 'J' shaped metal plate to Board ① using one short 'G'screw.



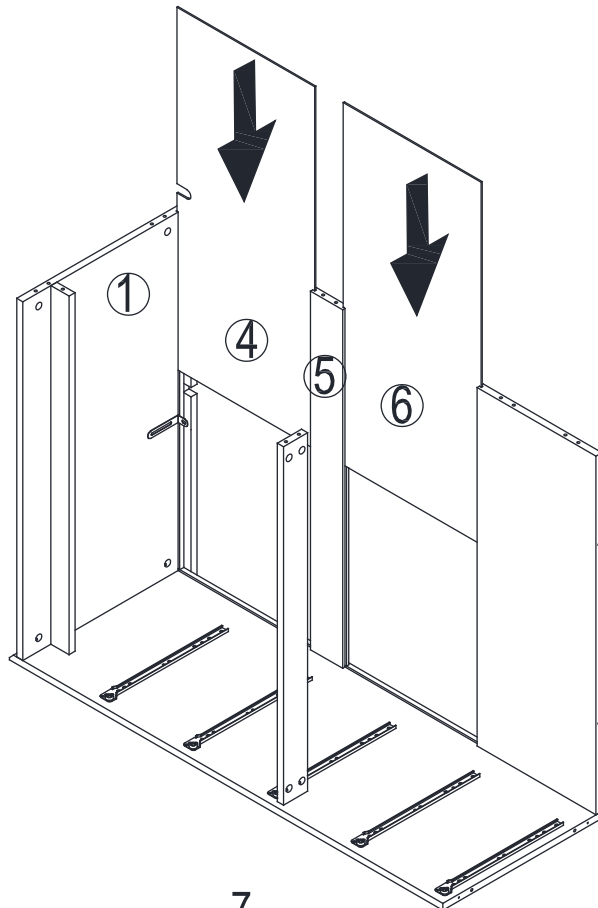
H		2
B		1





H		9
B		4

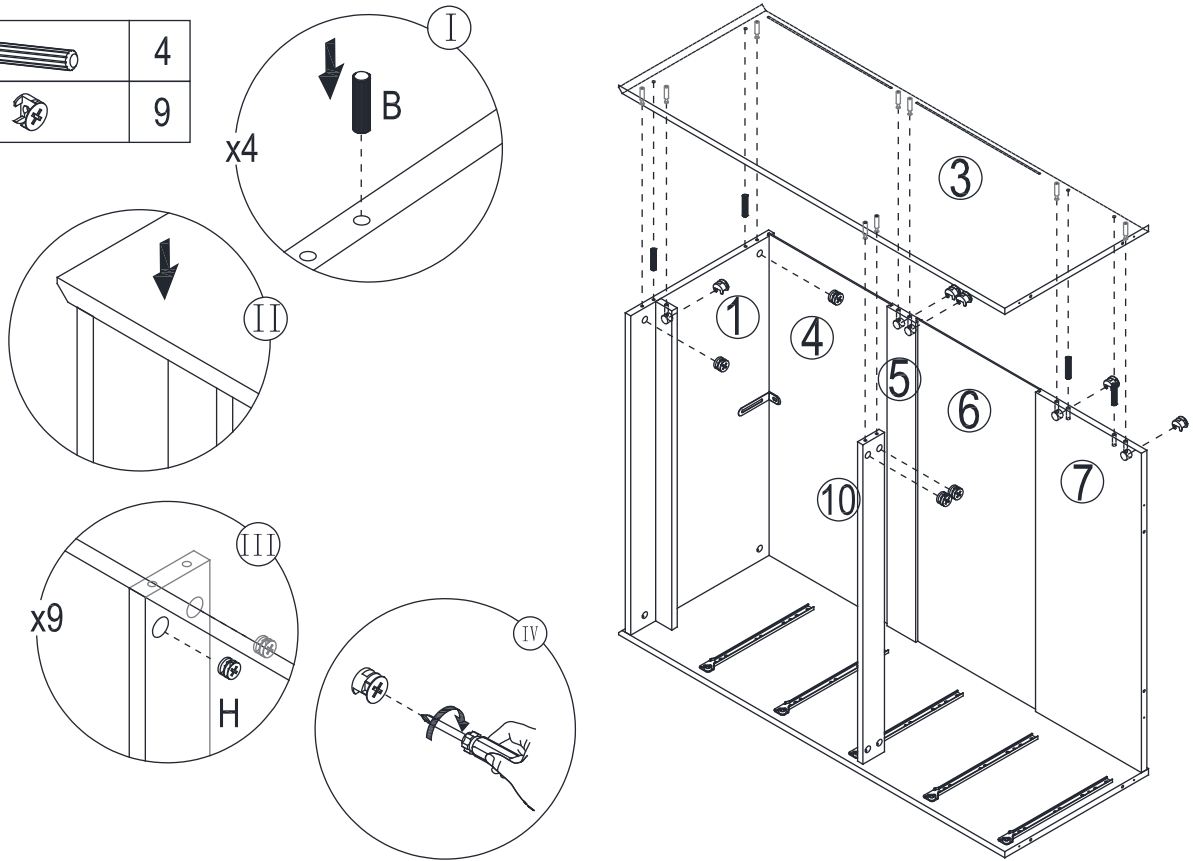


5





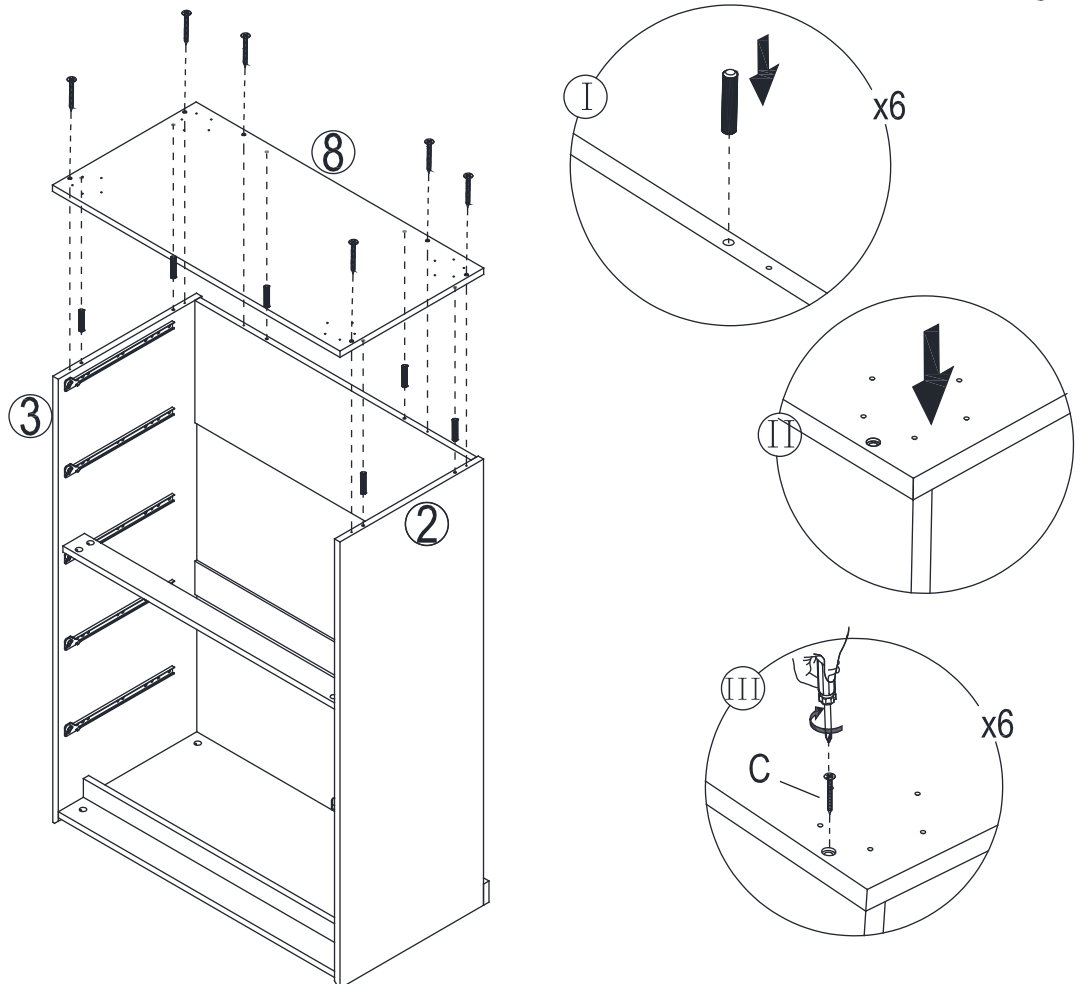
6

B		4
H		9





7

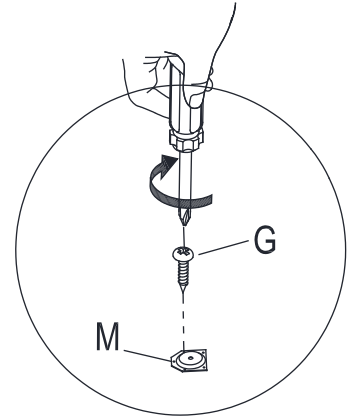
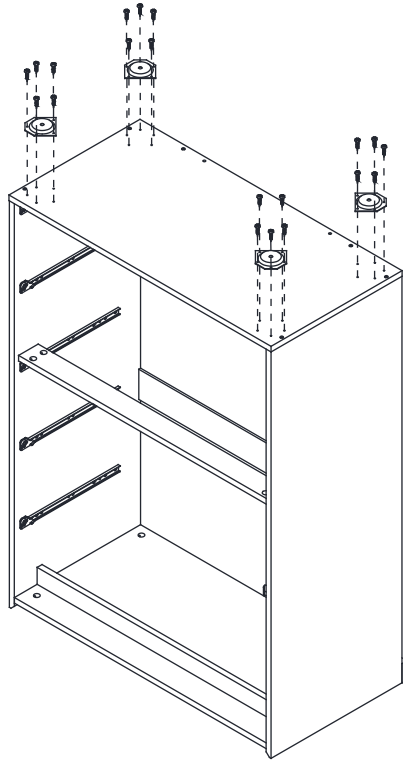
C		6
B		6



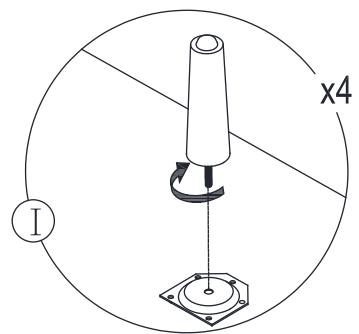
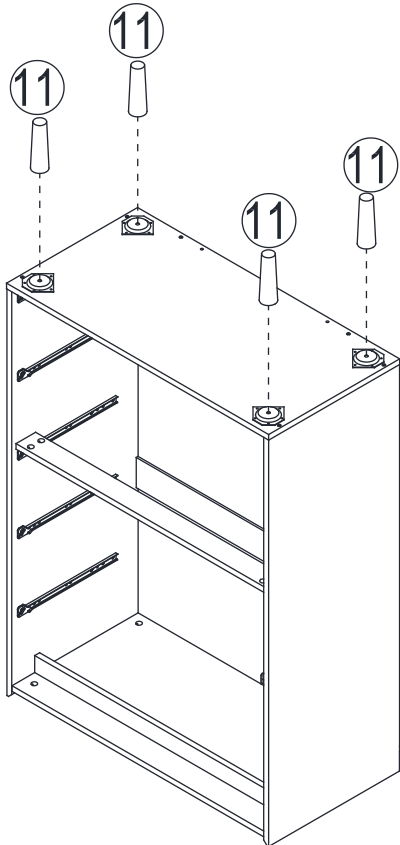
8

G		20
M		4

9

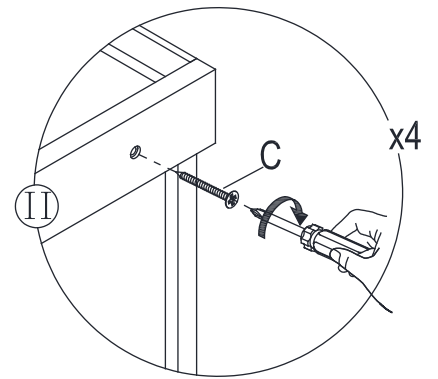
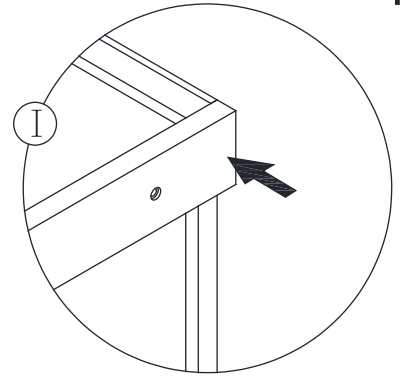
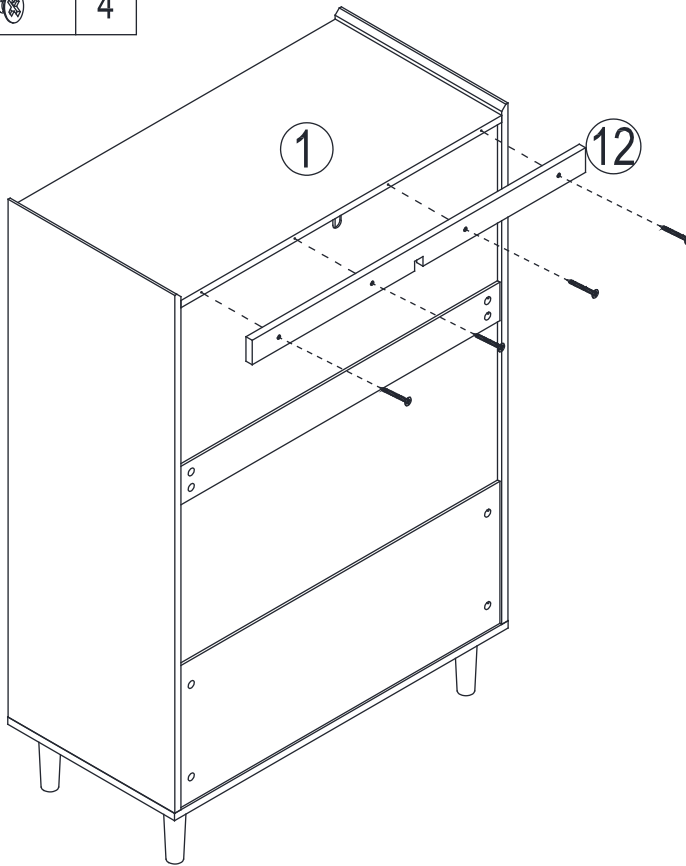




10



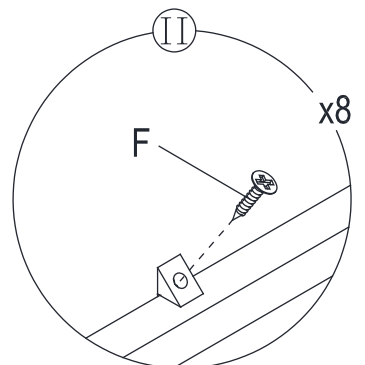
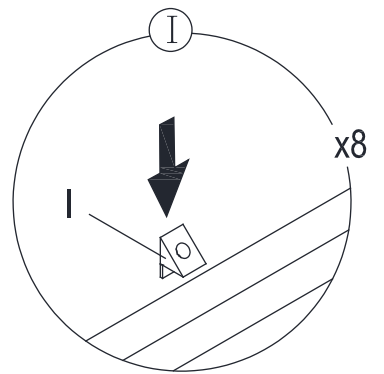
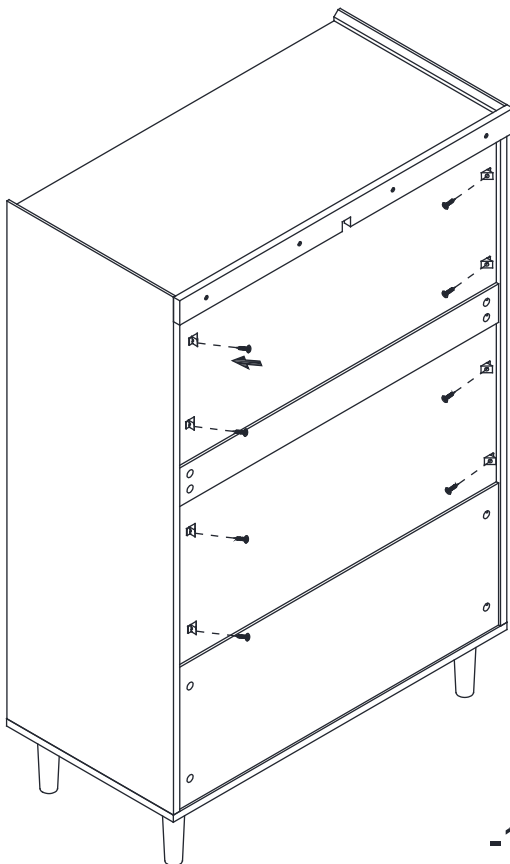
C		4
---	---	---


11



I		8
F		8

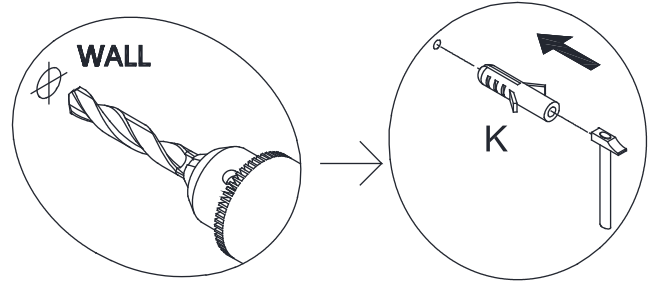
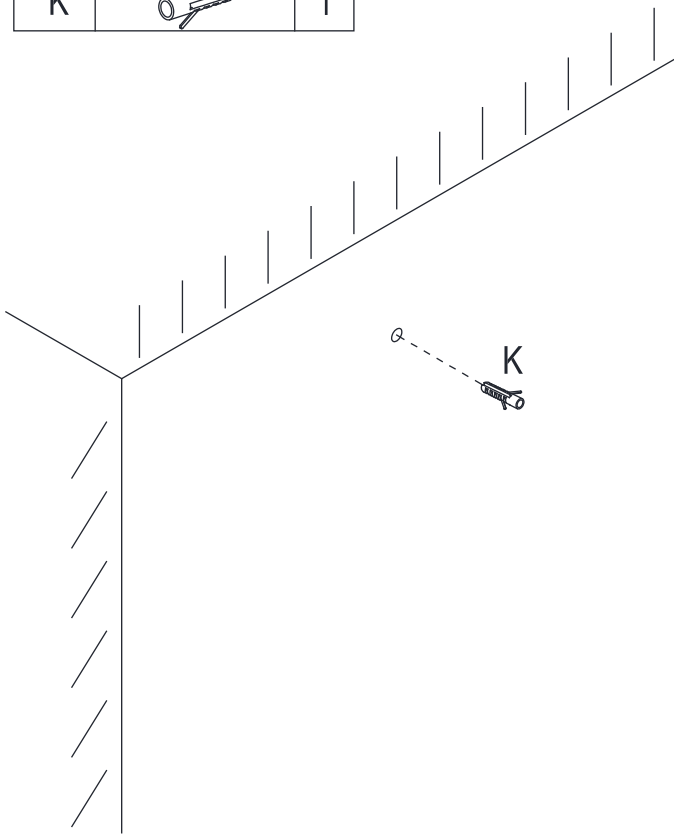
12



K		1
---	---	---

Drill two holes in the wall at the marked position for installing the anti-tip device.

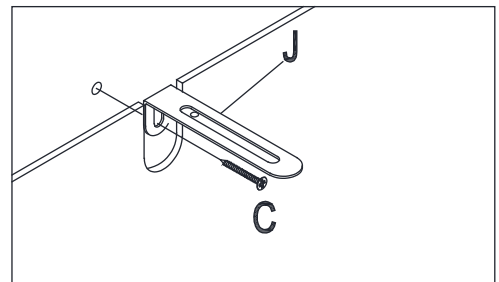
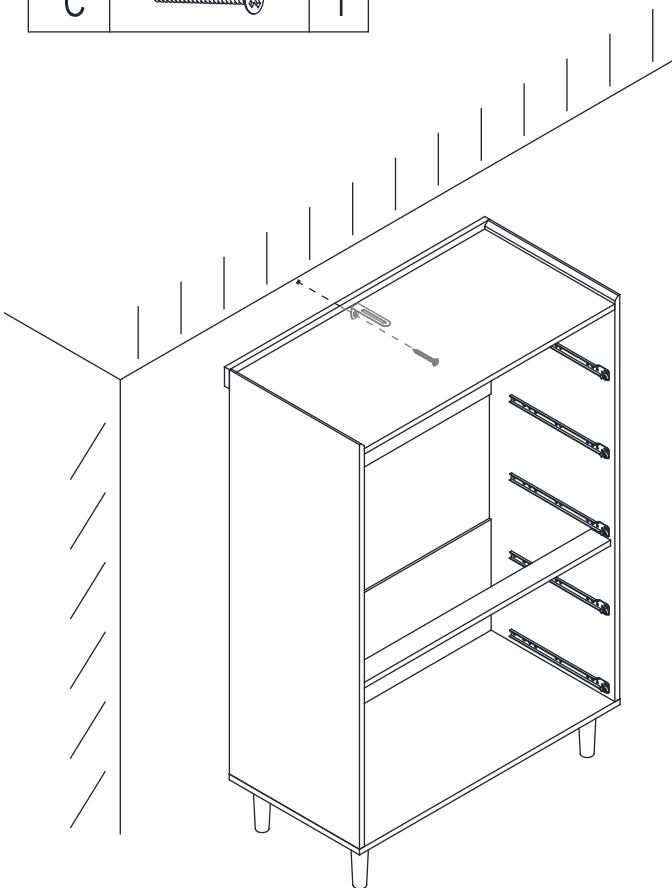
13




C		1
---	---	---

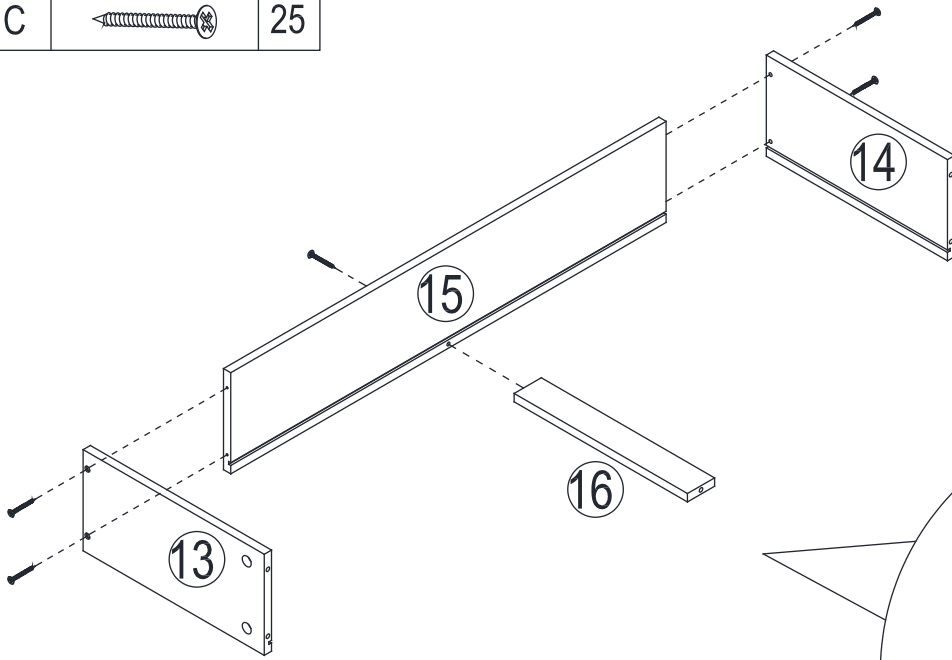
Place the dresser in the desired position, then use screw C to anchor it securely to the wall

14

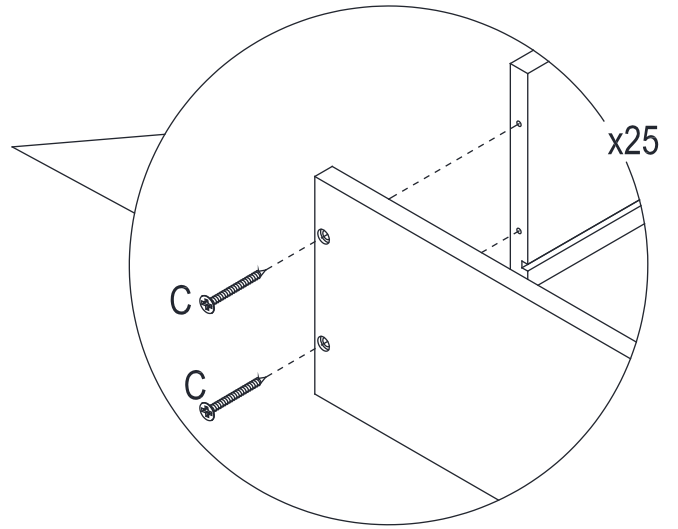


C		25
---	---	----

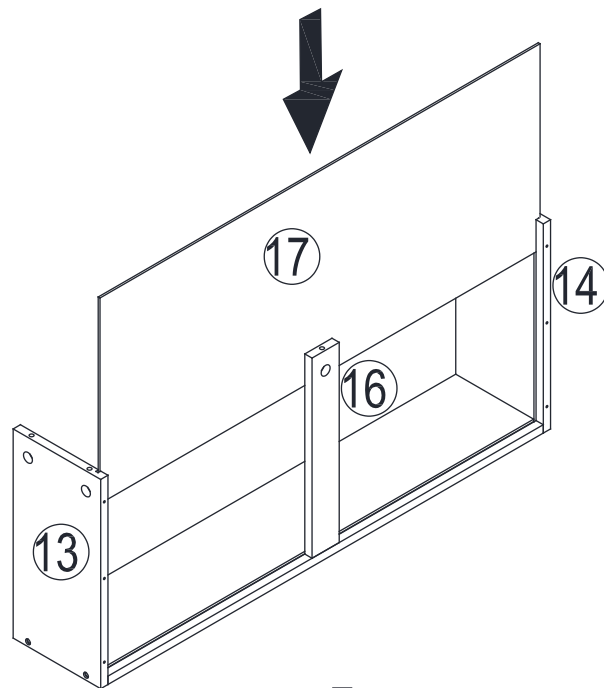
15






x5



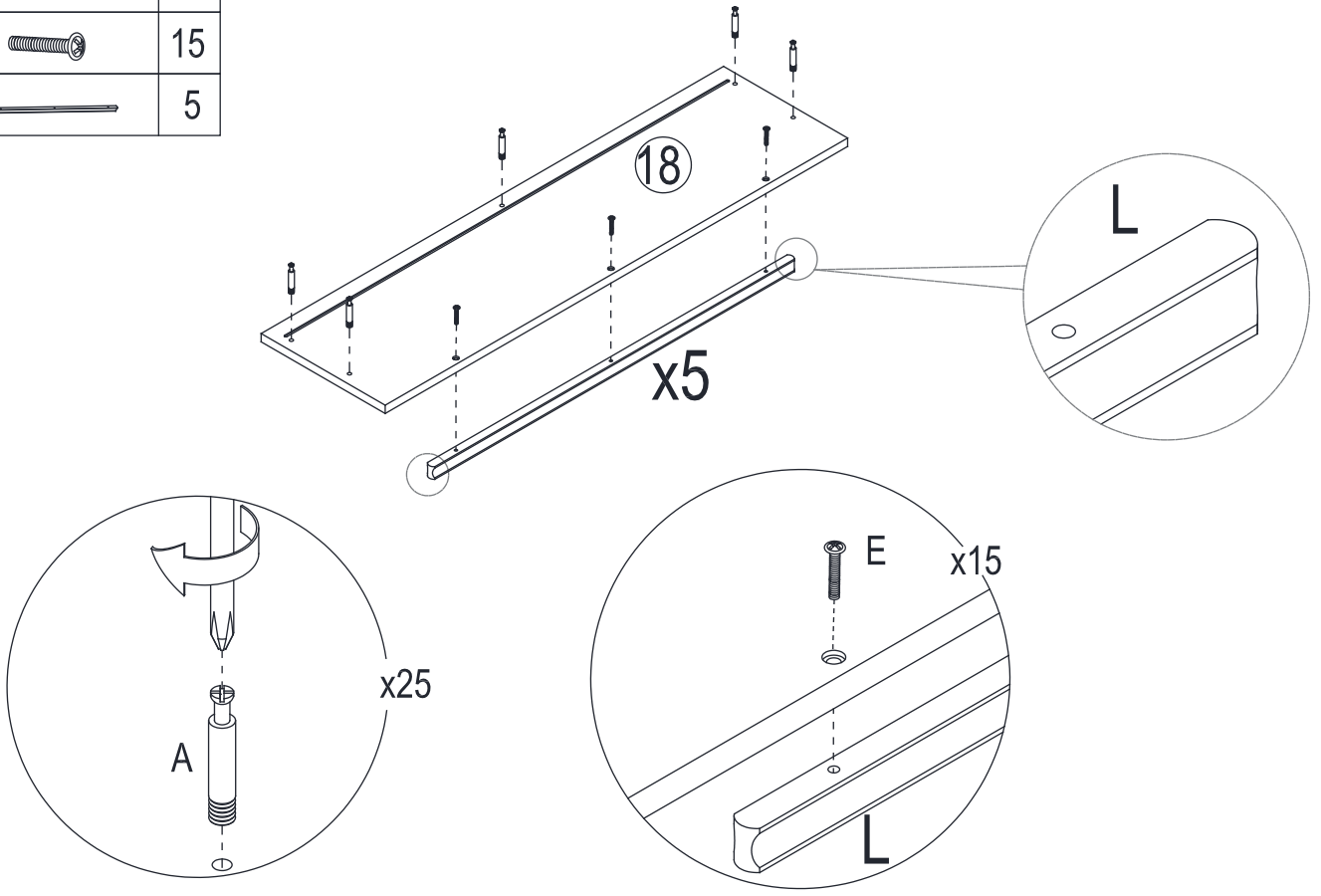
16



x5

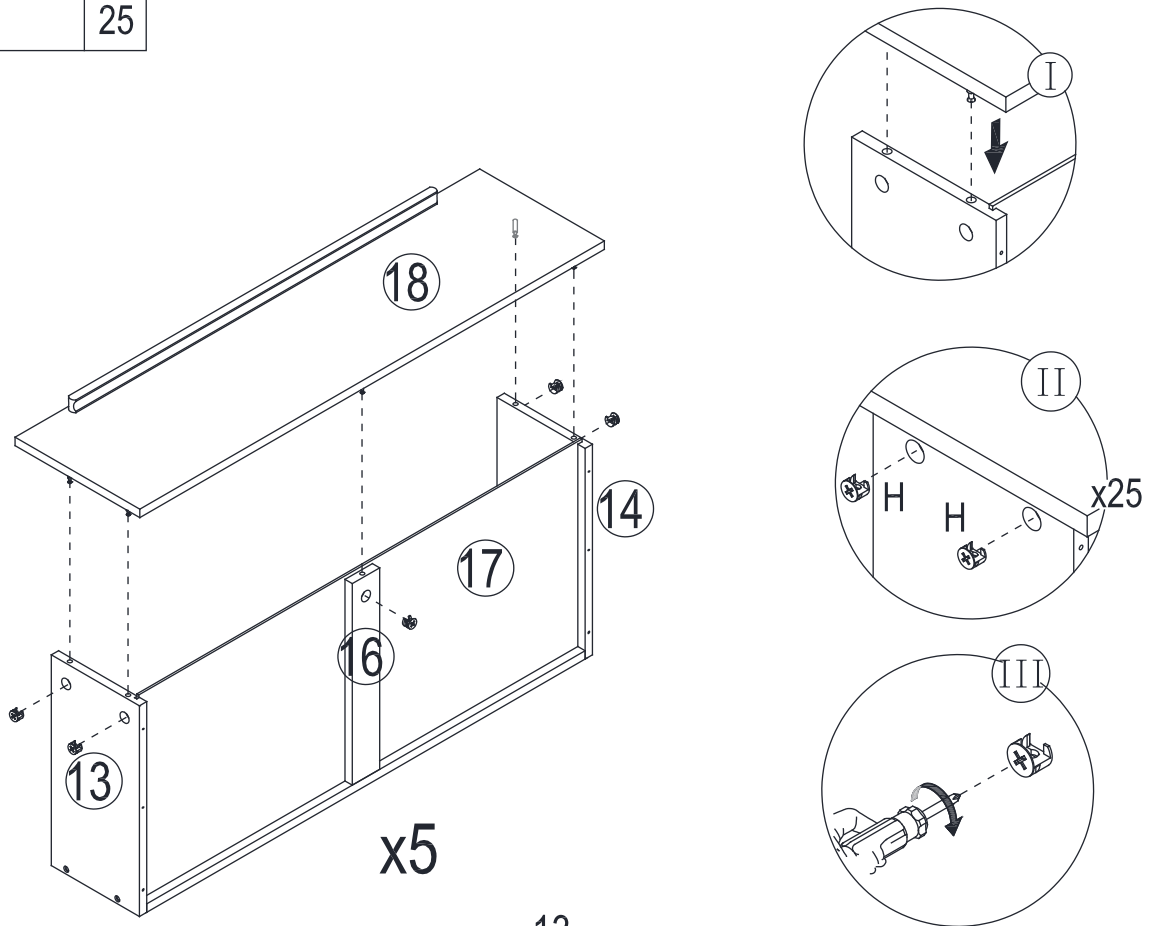
A		25
E		15
L		5




17

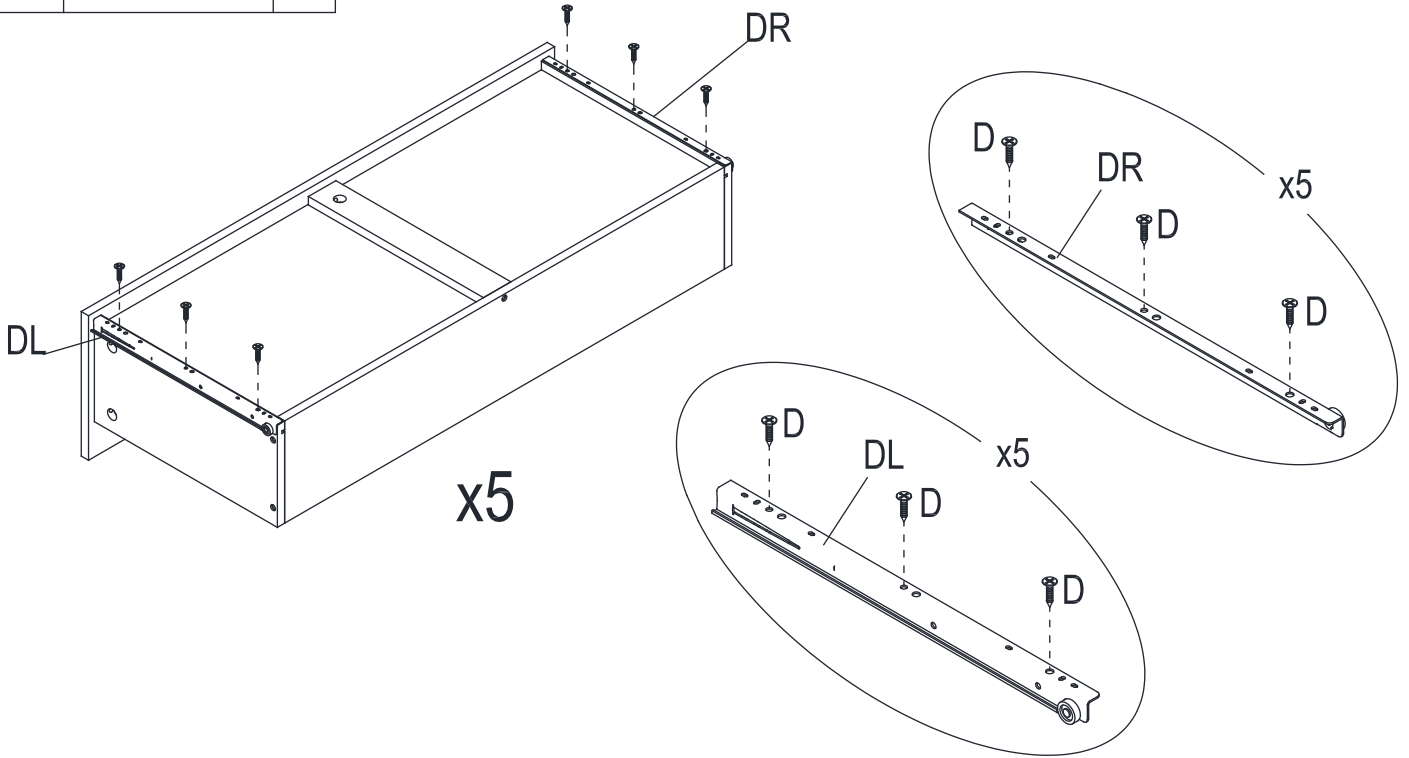


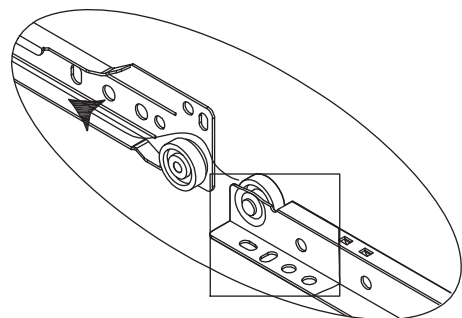
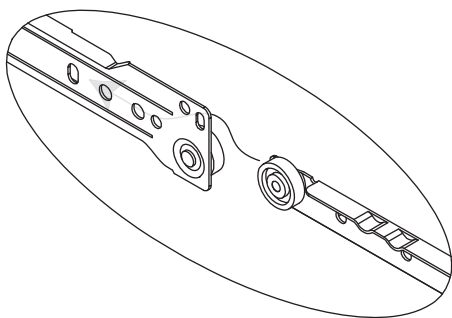
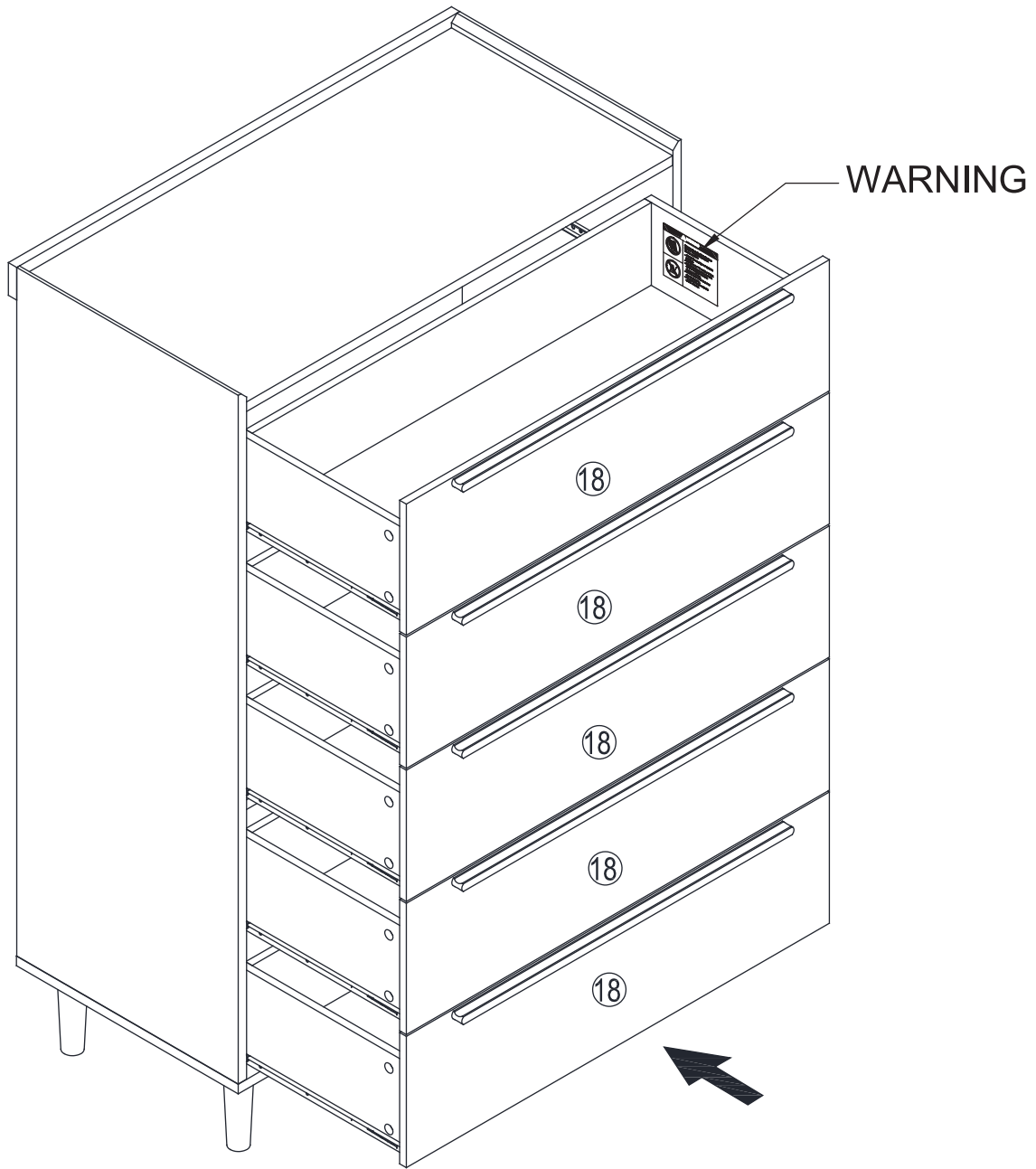
H		25
---	---	----

18



D		30
DL		5
DR		5





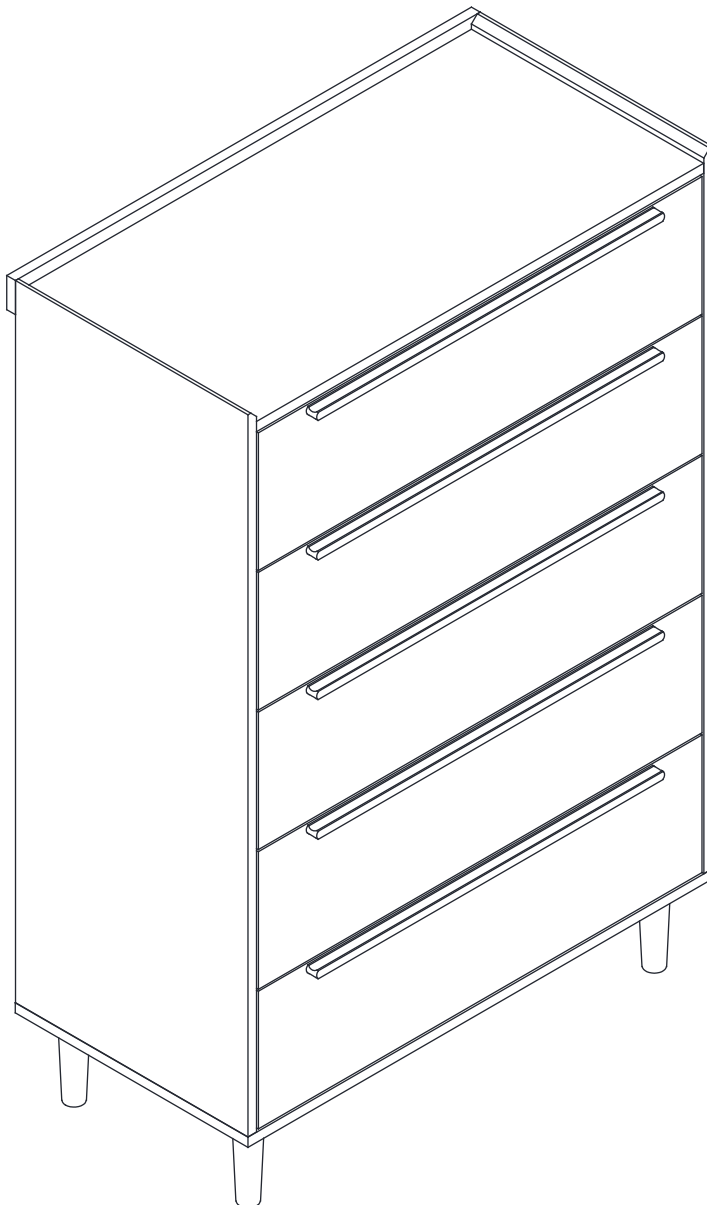
! WARNING



Children have died from furniture tipover. To reduce the risk of furniture tipover:

- **ALWAYS** install Anti-tip device provided.
- **NEVER** put a TV on this product.
- **NEVER** allow children to stand, climb or hang on any drawers, doors, or shelves.
- **NEVER** open more than one drawer at a time.
- Place heaviest items in the lowest drawers.

***This is a permanent label.
Do not remove!***



SAFETY FIRST, STYLE ALWAYS

Thank you for choosing our products. To ensure safety and performance, please follow these instructions:

- **Assembly:** Carefully follow instructions and tighten all parts.
- **Intended Use:** Use furniture as intended and adhere to weight limits.
- **Handling:** Move gently and check for loose parts regularly.
- **Tipping:** Tall or unstable furniture may tip over if not secured, especially in homes with children or pets.
- **Overloading:** Exceeding weight limits can lead to collapse or damage.
- **Sharp Edges:** Handle furniture with sharp corners carefully, especially around children.

MAINTENANCE & CLEANING TIPS

- **Regular Cleaning:** Use a soft, dry cloth to wipe the surface of cabinet regularly. Avoid harsh chemical cleaners.
- **Protect from Sunlight:** Keep cabinet out of direct sunlight to prevent damage to the material and finish.

DON'T WORRY, WE'VE GOT YOUR BACK.

We don't just sell furniture — we're here for the long haul! If you run into any issues due to manufacturing defects or material problems, we offer a 1-year warranty. That means we'll replace any faulty parts for free — no hassle.