

USE AND MAINTENANCE

Use on level surfaces only

Because this product needs assembly, it is prone to working itself loose from time to time depending on the use. Please take the time to check that all connections are still tight and working properly
Only clean using a damp cloth and mild detergent, do not use bleach or abrasive cleaners.

Assembly Instructions

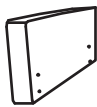
PART LIST



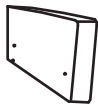
1 - Sofa Assembly x1



2 - Sofa Back x1



3 - Sofa Arm (Seated) Left



4 - Sofa Arm (Seated) Right



5 - Sofa Leg x4



6 - Sofa Cushion x2



7 - Sofa Back Cushion x2

HARDWARE



A - Screw x 10



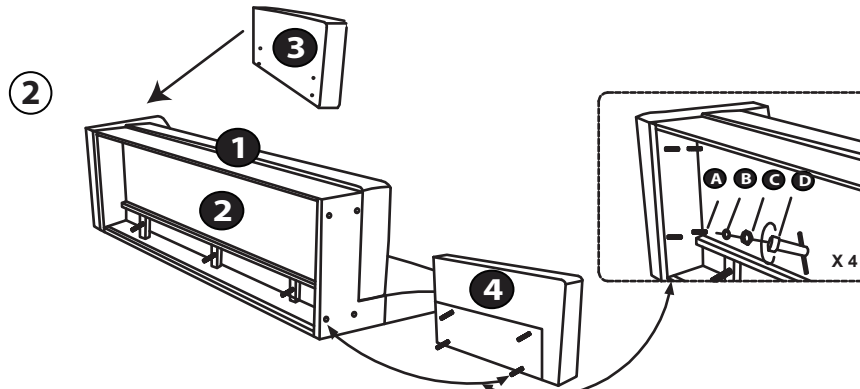
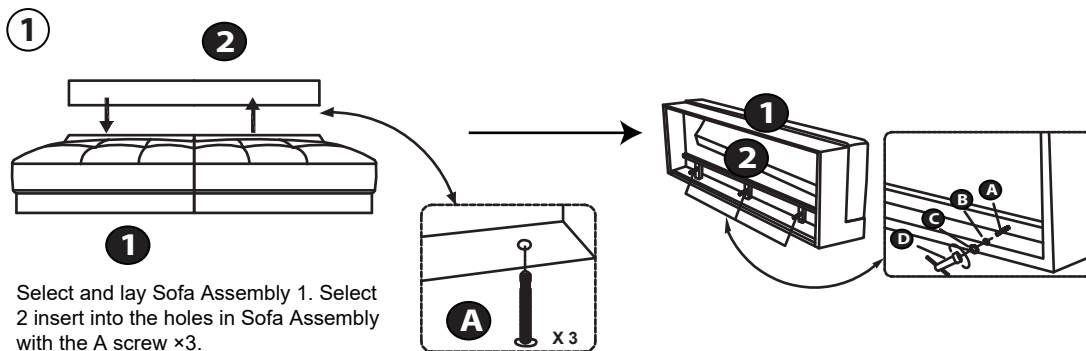
B - Circular Gasket x 10



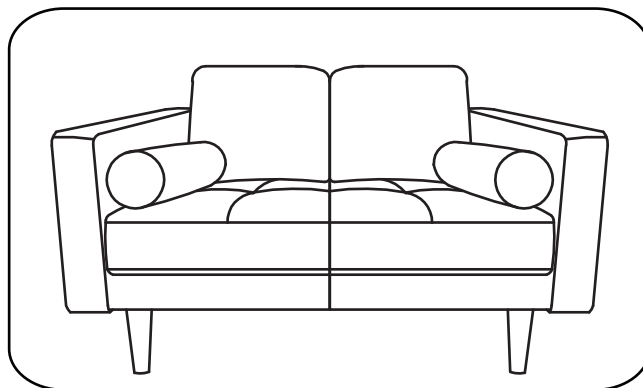
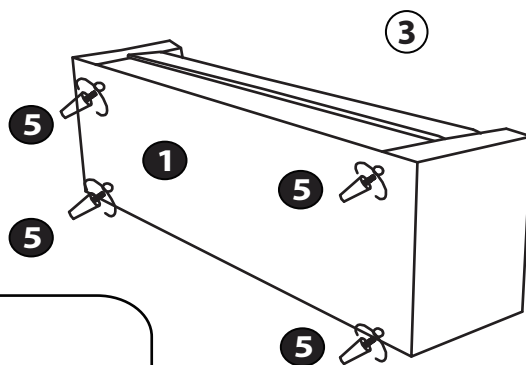
C - Screw Nut x 10



D - Screw Sleeve x 1



Turn the 1 down. Insert the 4 into the 1 with the A,B,C and D. Repeat for the 3 and the 1.



If you need help or have damaged or missing parts, contact customer service