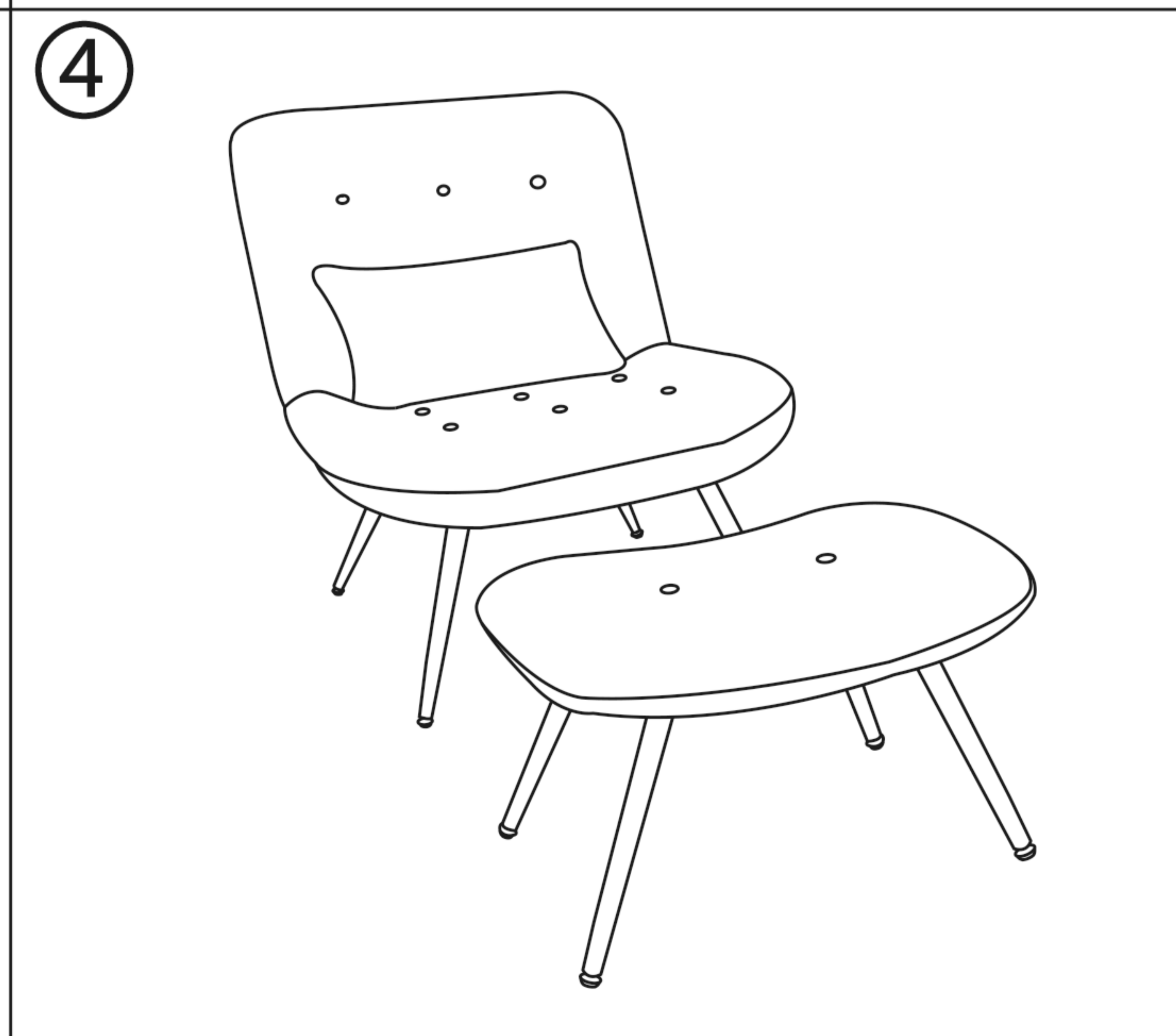
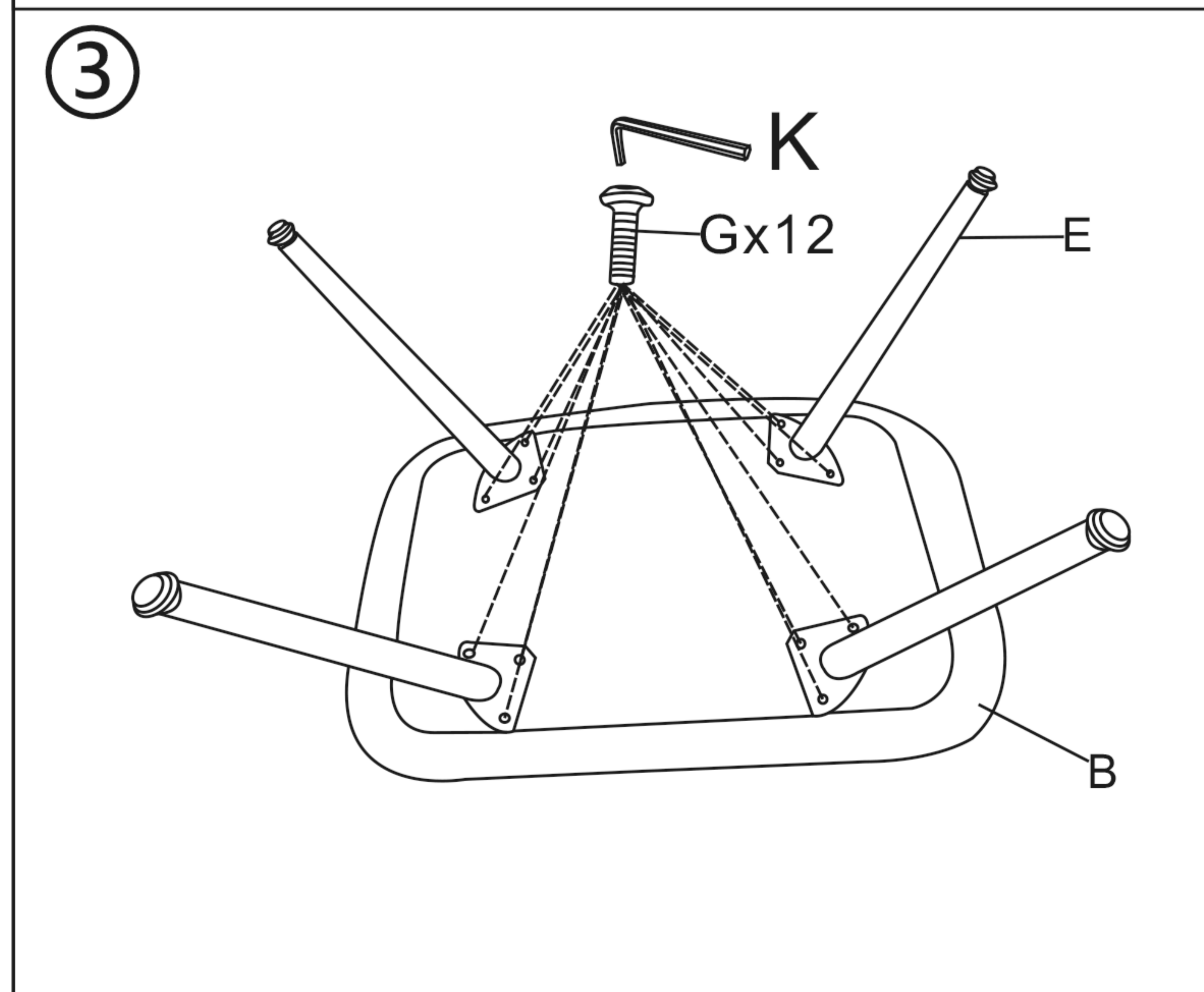
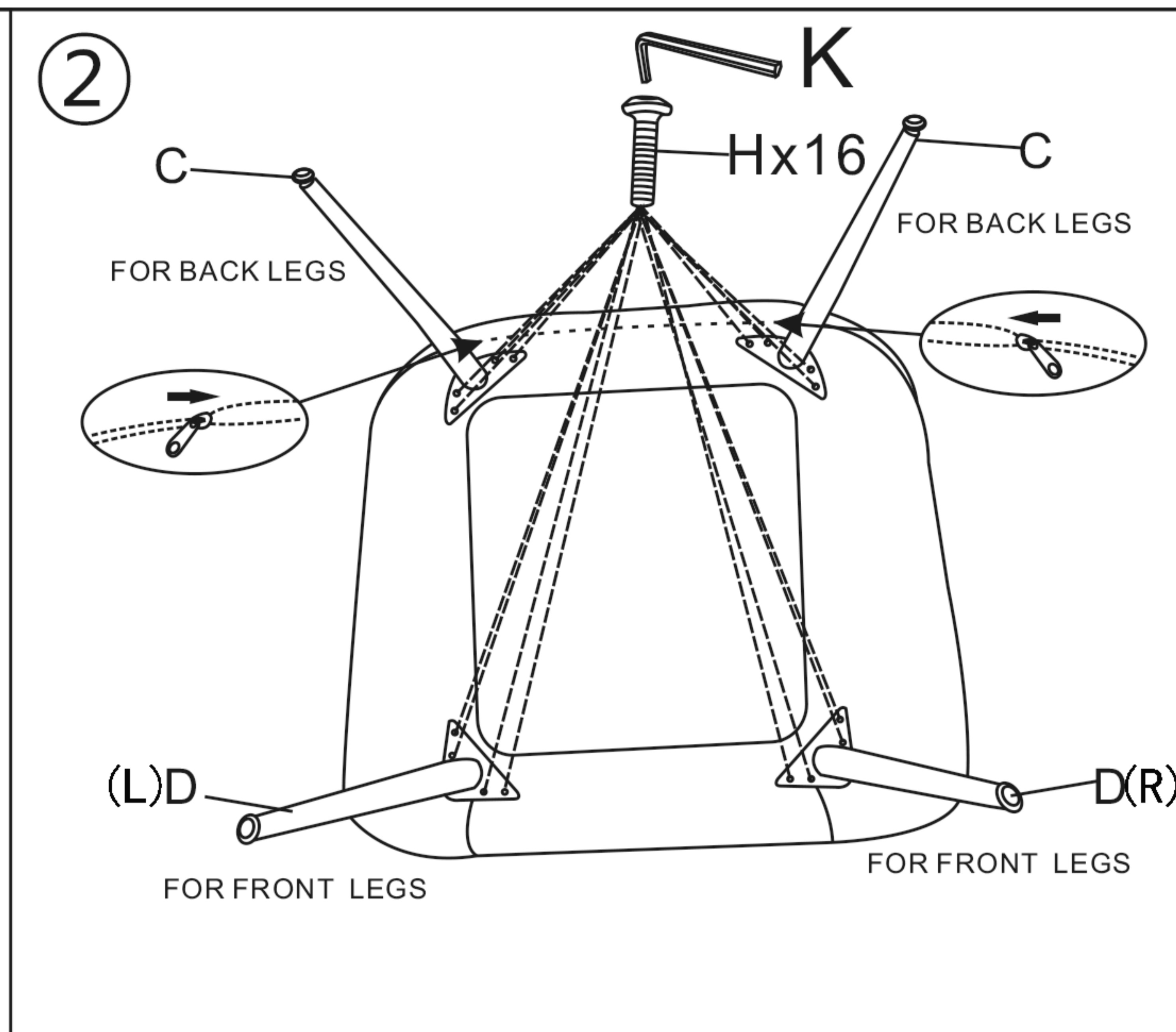
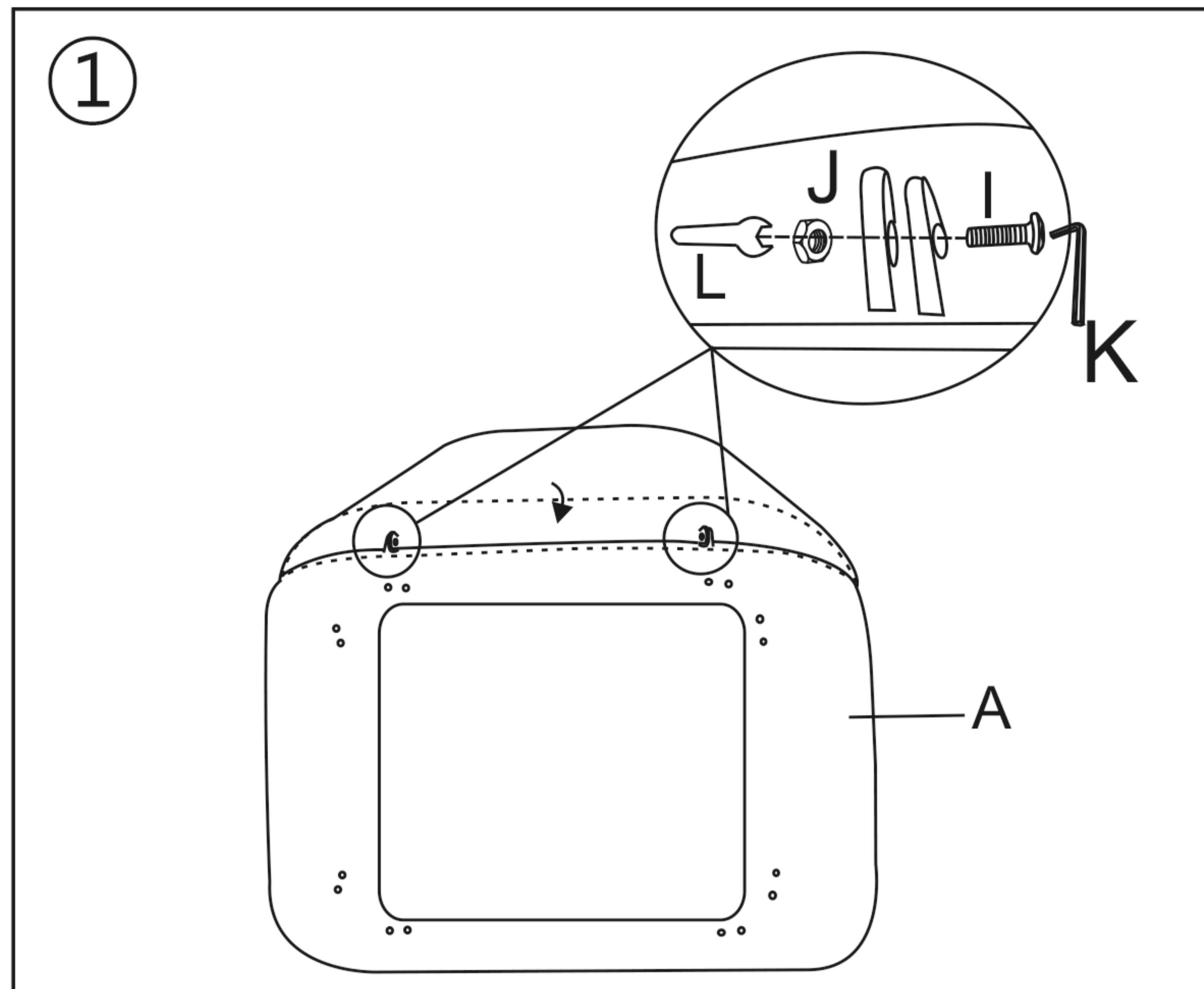


ASSEMBLY INSTRUCTION

▽ ASSEMBLY PROGRAM



▽ PARTSxQTY

AX1 	Gx12 M6x20mm
Bx1 	Hx16 M6x25mm
Cx2 FOR BACK LEGS	Ix2 M8x25mm
Dx2 (L) (R) FOR FRONT LEGS	Jx2
Ex4 	Kx1
Fx1 	Lx1