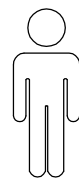
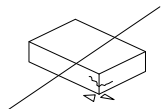
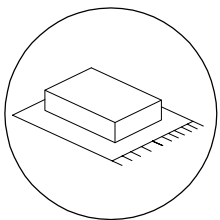
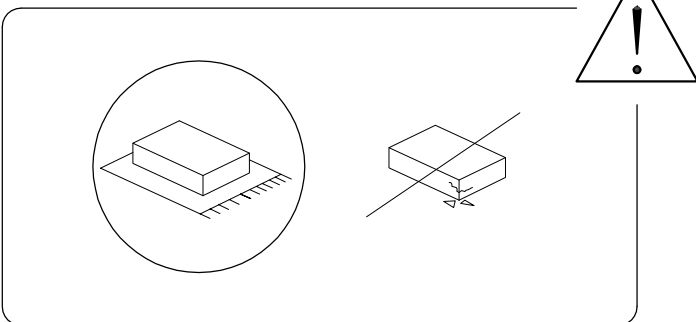
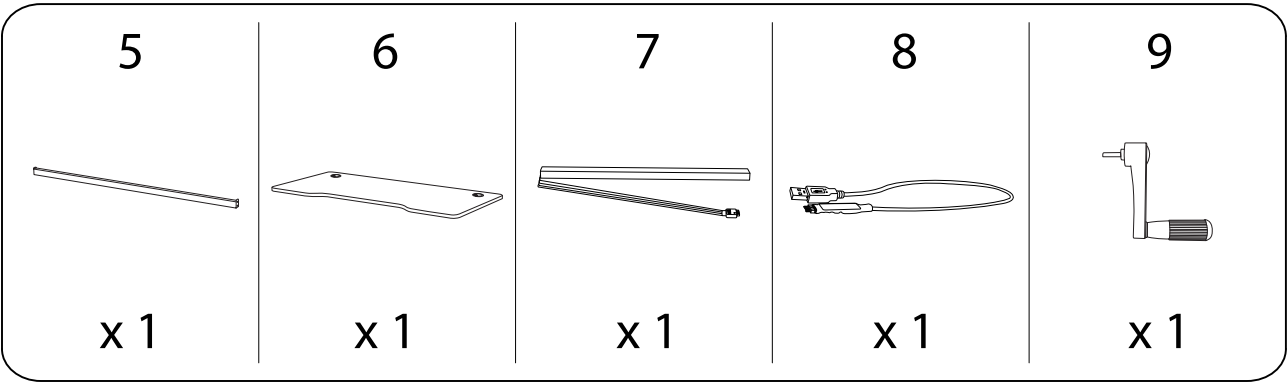
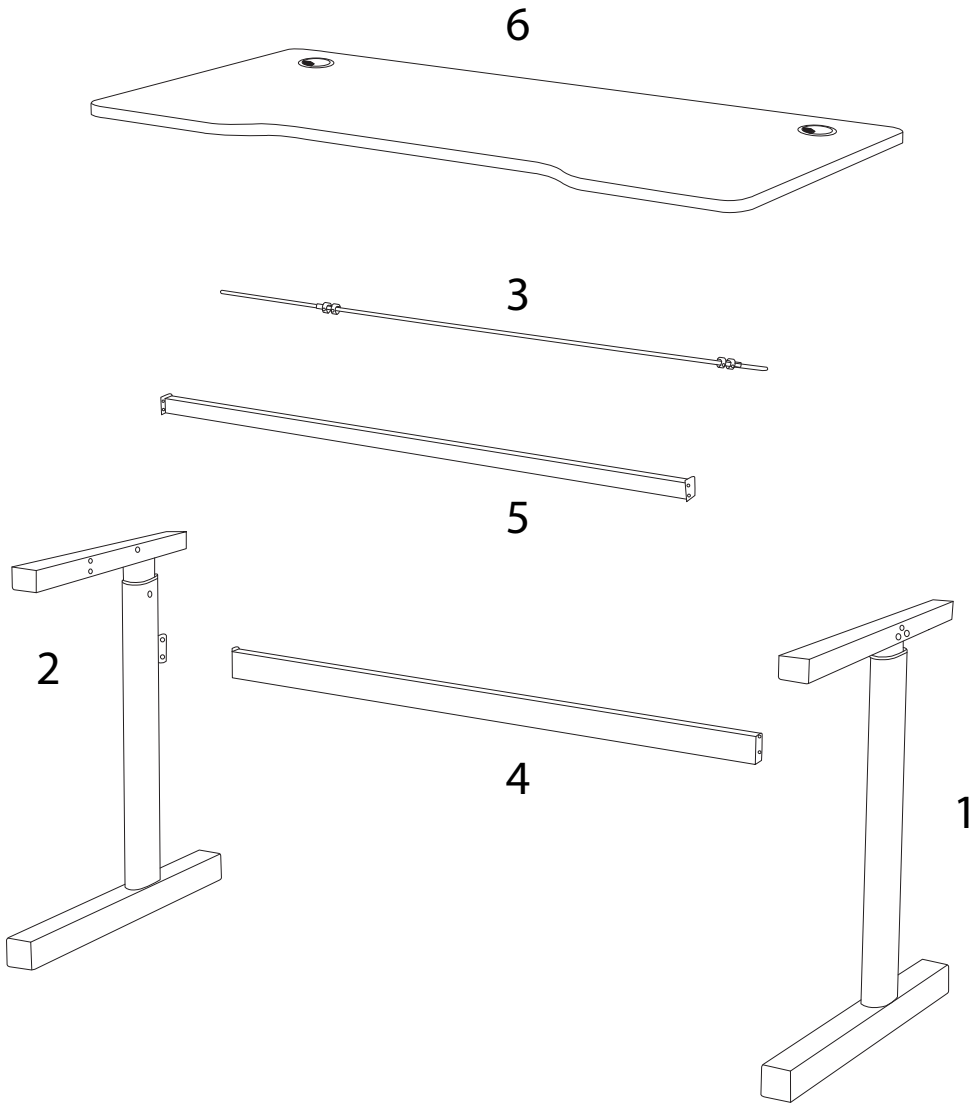
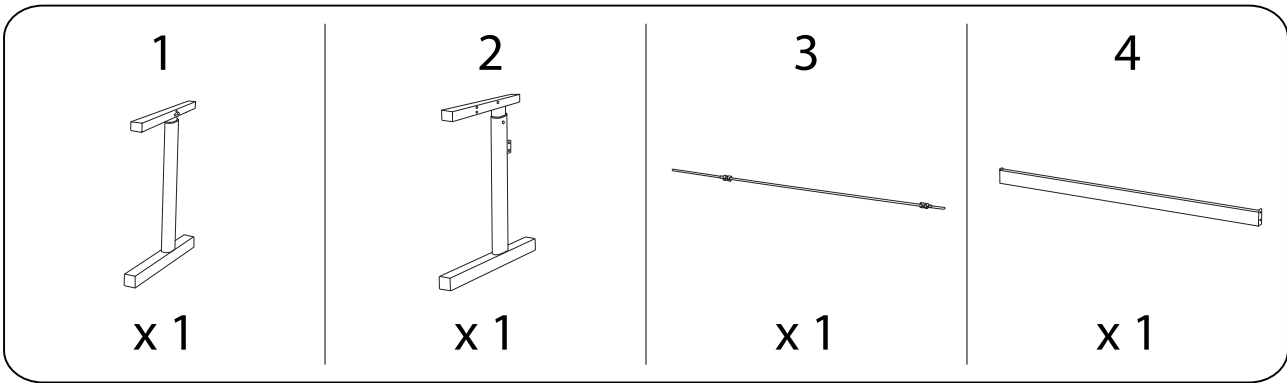


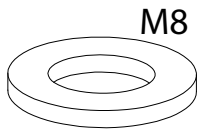
40'



2

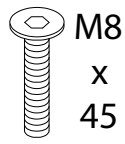


A



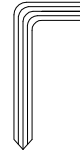
x 8

B



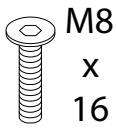
x 4

C



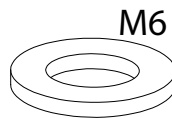
x 1

D



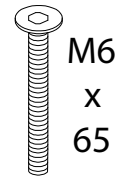
x 4

E



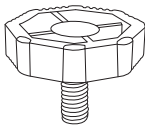
x 4

F



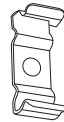
x 4

G



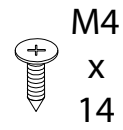
x 4

H



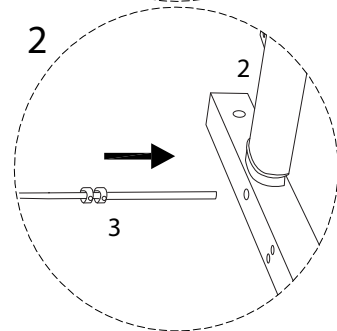
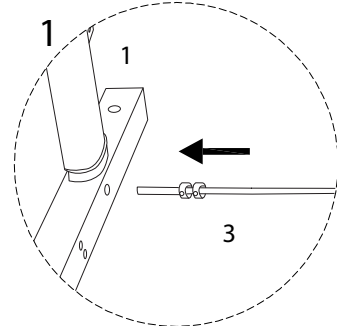
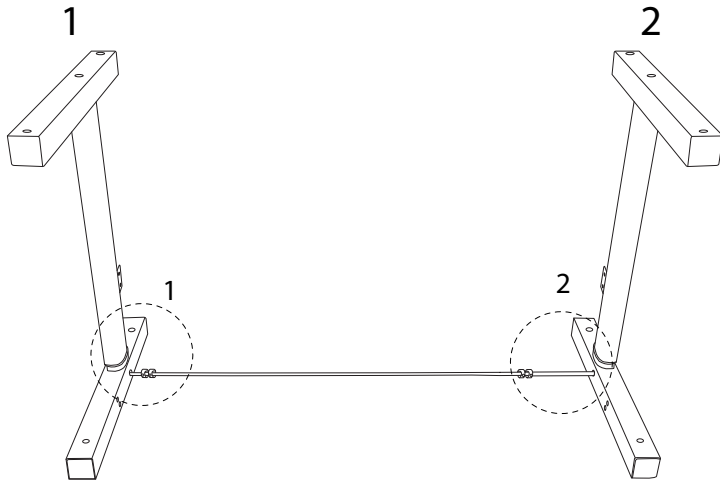
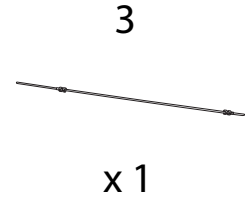
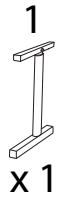
x 2

I

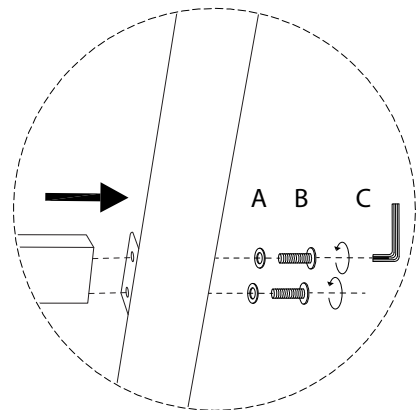
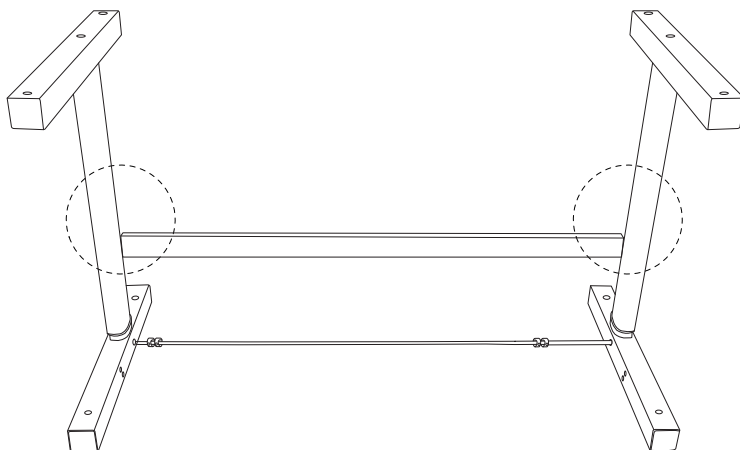
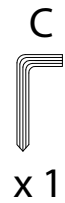
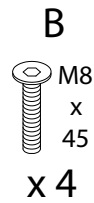
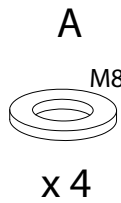
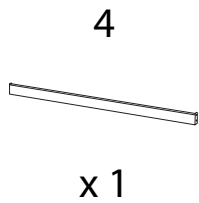


x 2

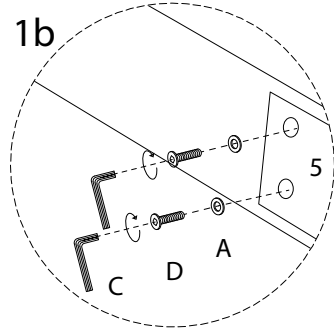
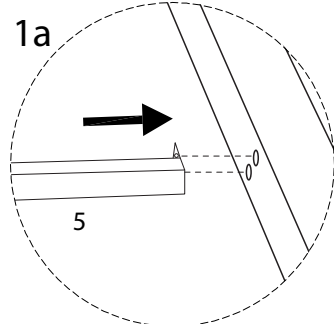
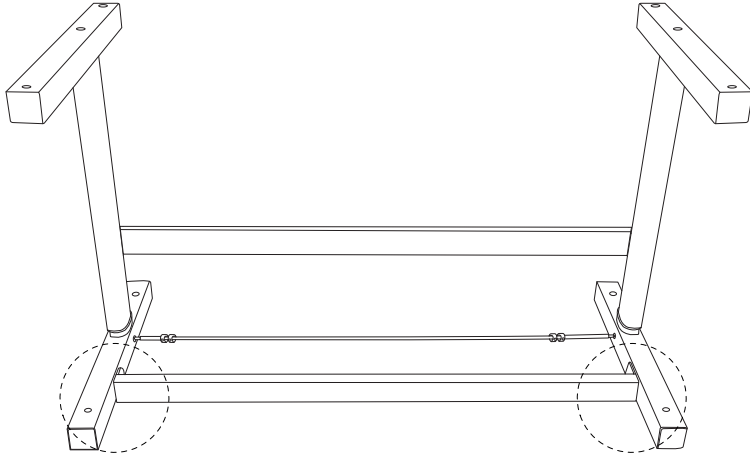
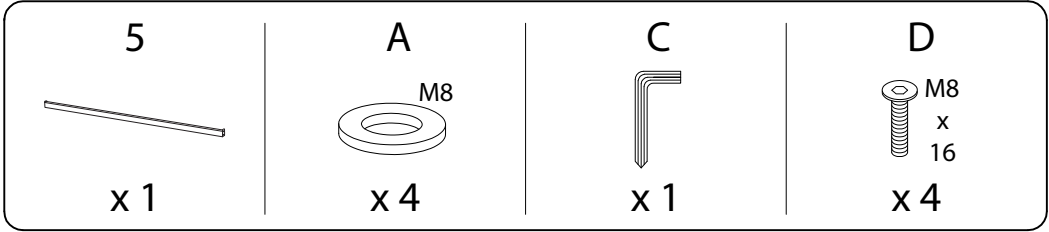
1



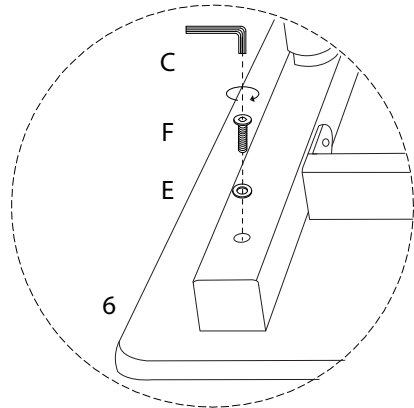
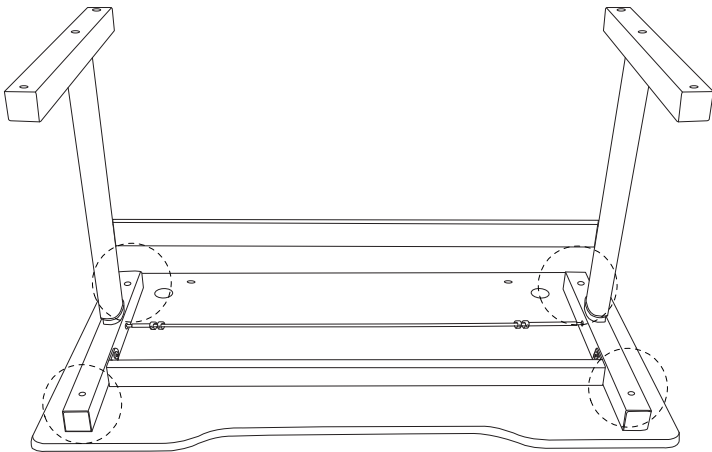
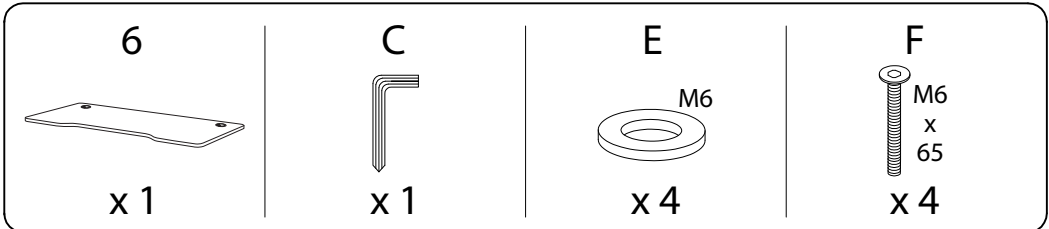
2



3

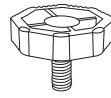


4

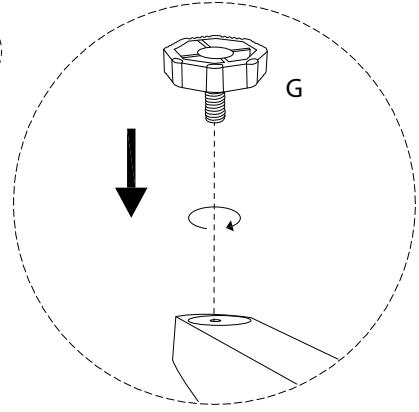
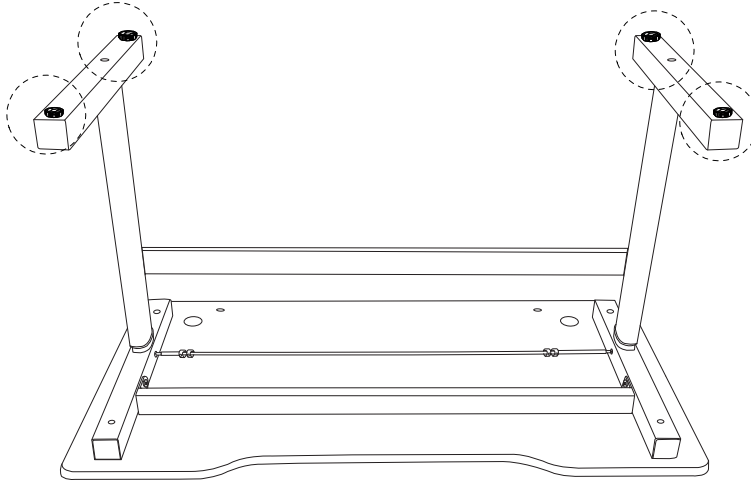


5

G

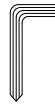


x 4



6

C



x 1

H

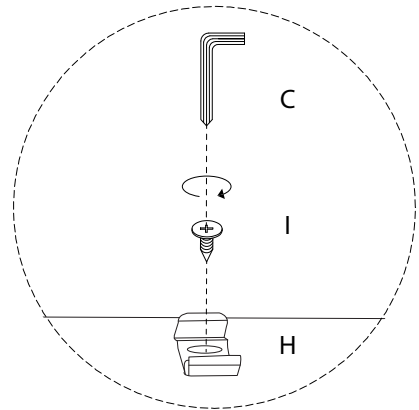
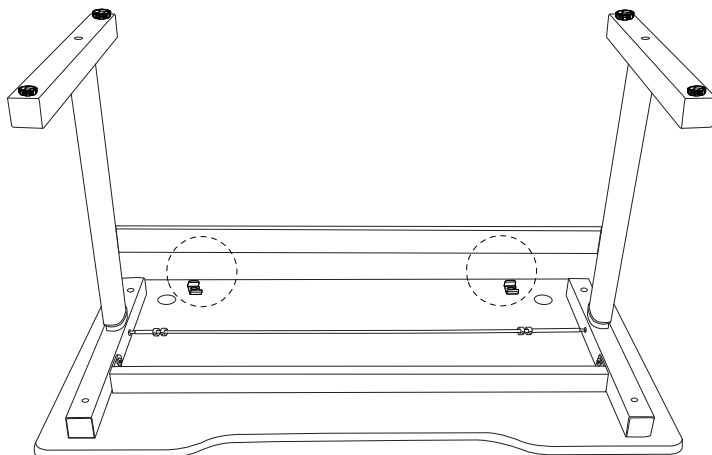


x 2

I

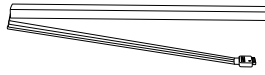


x 2

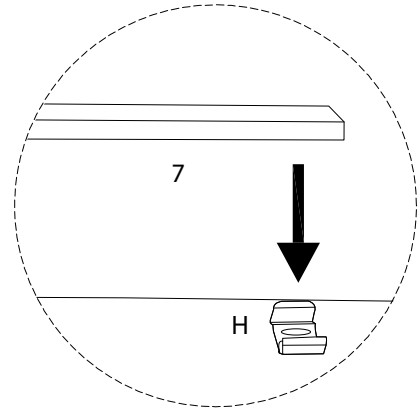
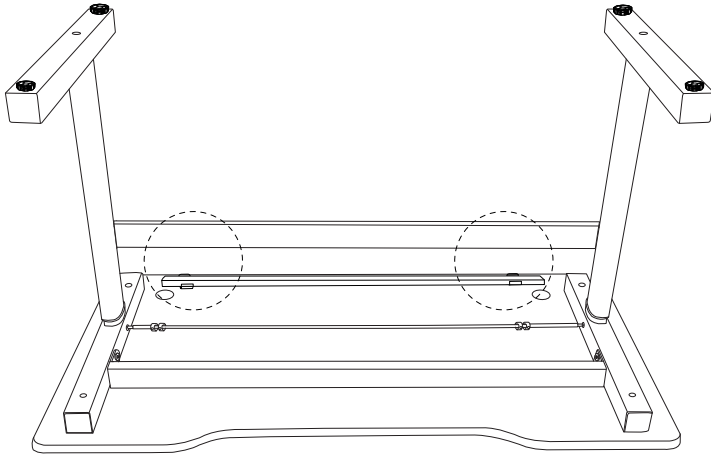


7

7



x 1

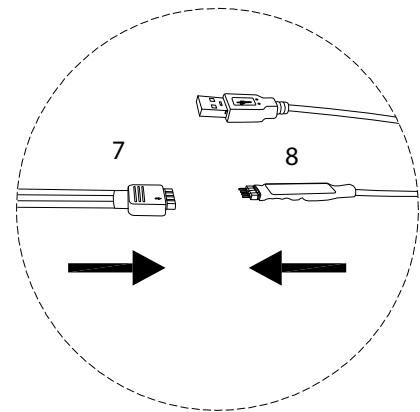
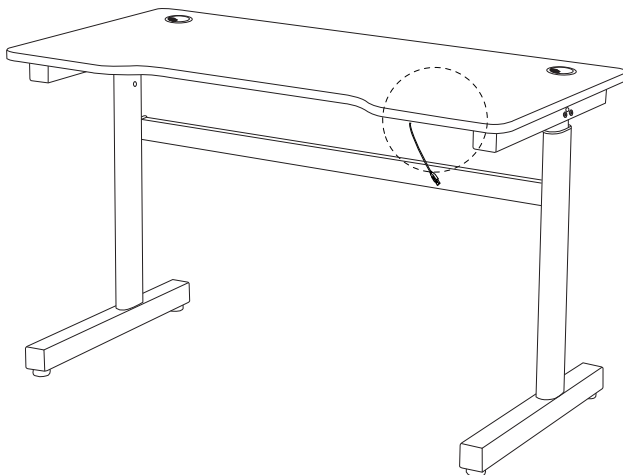


8

8

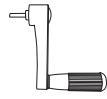


x 1



9

9



x 1

