

材质: 105g铜版纸

尺寸: 90*120 mm

印刷: 单黑双面印刷

装订方式: 折页

User Manual

LED Floor Lamp

Introduction

Thank you for choosing our floor lamp. Please read this user manual carefully and keep it for future reference. If you need any assistance, please contact us with your order number and details.

Package Contents

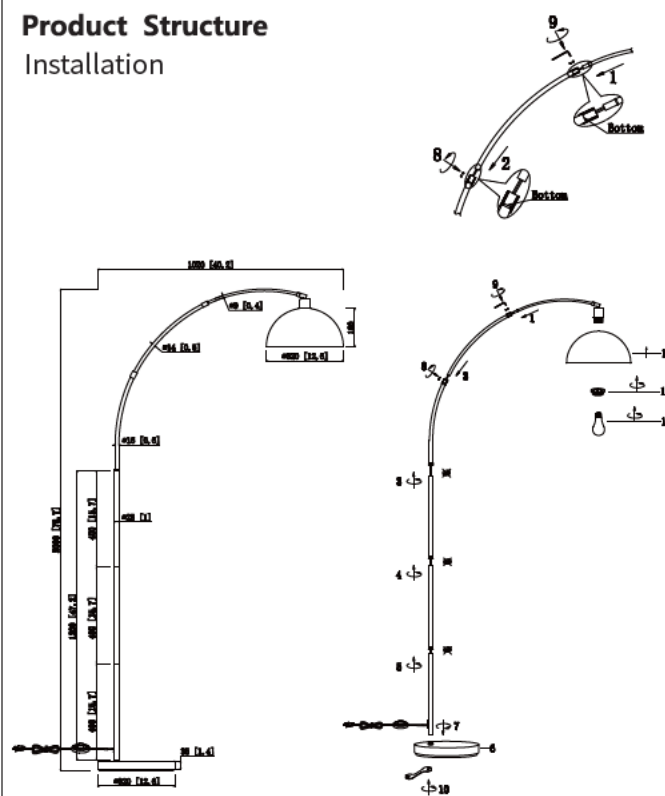
- LED Bulb x1
- Remote control with Magnet x1
- Lamp base x1
- User Manual x1
- Iron Pipes x6
- Metal Shade x1

Specification

LAMP	
Material	Metal +Fabric+PC
POWER	MAX 60W
Input Voltage	AC120V 60HZ
Size	W 40.2 " XH 78.7"
Bulb	
Power	MAX 9W
LUMINOUS FLUX	800LM
DIMMABLE	10%-100%
Color temperature	3000K-6000K
Lifespan	30,000H
Remote Distance	MAX49.2 ft
Input Voltage	AC120V 60HZ

Product Structure

Installation



Carefully remove all parts from the box and remove all plastic coverings

Step1-9: Insert all the poles through screw side by side as the image on the left.

(Step1-2: Insert all the small poles into the big ones, make sure they are at the bottom position so you can tighten them well.)
(Step8-9: Tighten them with internal hexagonal wrench and make sure the direction are the same as photo.)

Adjust the angle to ensure that the angle of the lamppost is consistent with the picture, and then use a wrench to tighten the nut underneath the base.

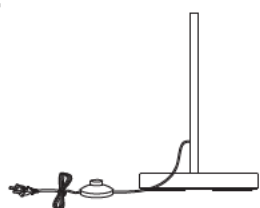
Step11-12: Put the lamp shade through the base (Unscrew the screw ring from the base firstly), then tight the screw ring.

Step13: Screw the E26 based bulb to the lamp base, then done.

Usage

There are two ways to control : Foot switch control/Remote control

Foot switch ON/ OFF



Remote Control

- 1H Set a 1h timer (Light get several flickers mean 1h timer is successful set)
- Short press to turn on/off light.
- Short/Long press to enhance the CCT (3000K to 6000K) as you like.
- Short/Long press to lower the CCT (6000K to 3000K) as you like.
- Short press to be the max brightness and CCT immediately.
- *+ Short/Long press to enhance the brightness as you like.
- *- Short/Long press to lower the brightness as you like.
- K Short press to Adjust Color Temperature 3 Levels.
- Short press to enter reading mode.
- Short press to enter breastfeed mode.
- Short press to enter night light mode.
- Short press to enter work mode.

When can you use the remote control?

A 9w 800Lumens intelligent bulb is included in the package. You may use regular bulb to replace the intelligent bulb if you prefer that. Please note that regular bulb cannot match the remote control. Need to repair the remote control and bulb if you replace one of them. Please check the repair method below.

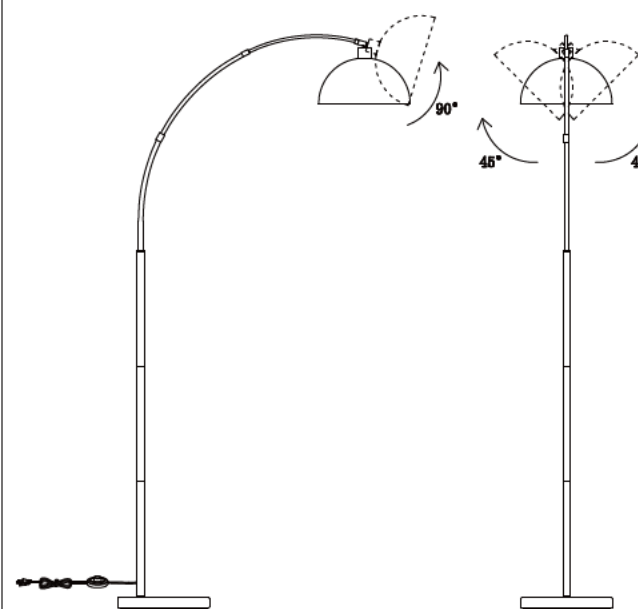
Foot switch is the prerequisite for remote control. Make sure you have turned on the lamp with the foot switch when you using the remote for turning on/off, changing the CCT, modes and timer. Remote control cannot be used if foot switch is turning off status.

How to repair the remote control and the bulb if the remote is not working?

Turn on the bulb with foot switch, then keep holding the button (Ⓞ) on remote until the light bulb goes from bright to dim and back to bright again, which indicates successful pairing. Then press the function key to confirm whether the function is working properly.

How to adjust the lighting angle?

Adjustable at the lamp holder:



Product Care

- Please do not bend violently the lamp head to avoid damage when adjusting the angle of the lamp.
- Please read the user manual before use.
- Suggest indoor use . It is non waterproof .Do not use this product in humid environments or at high temperatures.
- Cut off the power when cleaning it or not using it.
- Do not use it exceed the voltage , the proper voltage for US is AC110- 120V.60Hz.
- Please stop use it if there is any defective issues found in the product.

Guarantee

our standing floor lamp is backed by 12MONTHS product warranty. For questions ,assistance , or support , please contact the Customer Service with your order number and product model number. We will send you future information about the return or the exchange.