

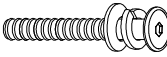
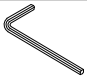


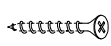

ASSEMBLY INSTRUCTIONS

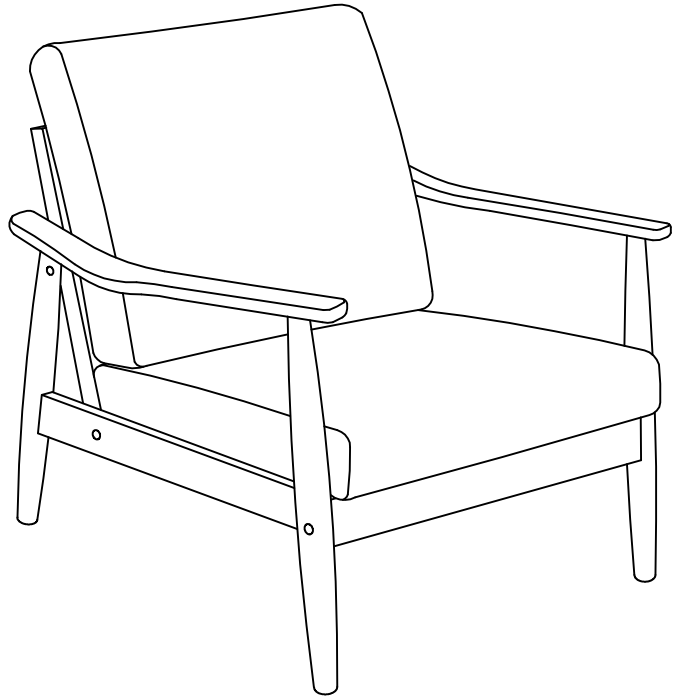
SOFA - 1 SEATER

IMPORTANT NOTE :

- * PLACE ALL WOODEN PARTS ON A CLEAN AND SMOOTH SURFACE SUCH AS A RUG OR CARPET TO AVOID THE PARTS FROM BEING SCRATCHED.
- * BEFORE YOU BEGIN, KINDLY FOLLOW THE ASSEMBLY INSTRUCTIONS STEP BY STEP.

HARDWARE LIST

A	JCBC M6 x 50mm + S/W M6 + F/W M6 x 13mm 	6PCS
B	ALLEN KEY M4 	1PC
C	BARUL NUT M6 x 13mm 	4PCS
D	WOOD BUTTON Ø 14.5 	6PCS
E	FH SCREW #8 X 32mm 	4PCS
F	WOOD DOWEL M10 x 40mm 	4PCS

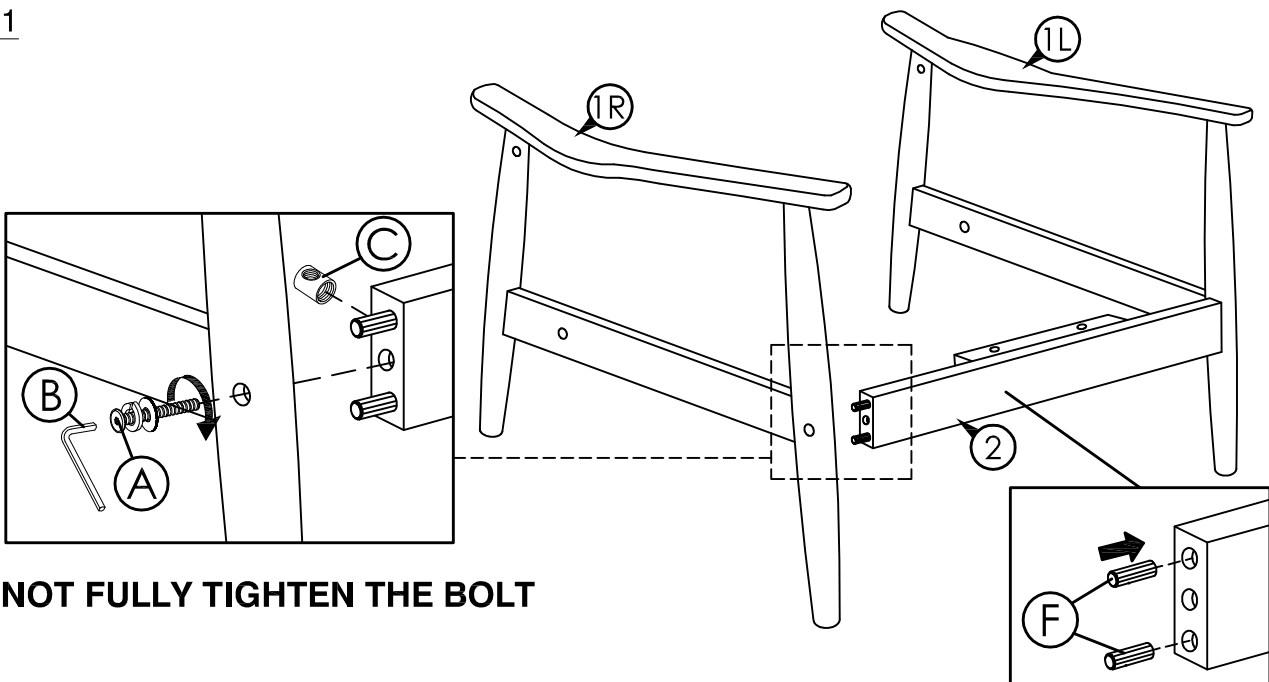


COMPLETED SOFA ASSEMBLY.

PART LIST

1	SOFA LEG (L/R)	2PCS
2	FRONT RAIL	1PC
3	BACK FRAME	1PC
4	SEAT FRAME	1PC
5	SOFA BACK REST	1PC
6	SOFA SEAT REST	1PC

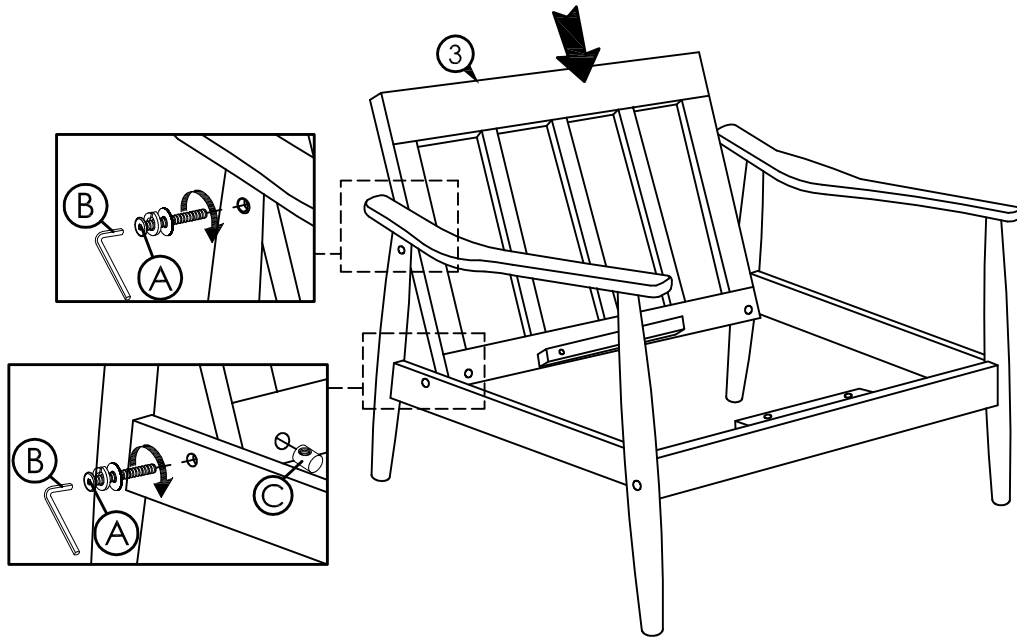
STEP 1



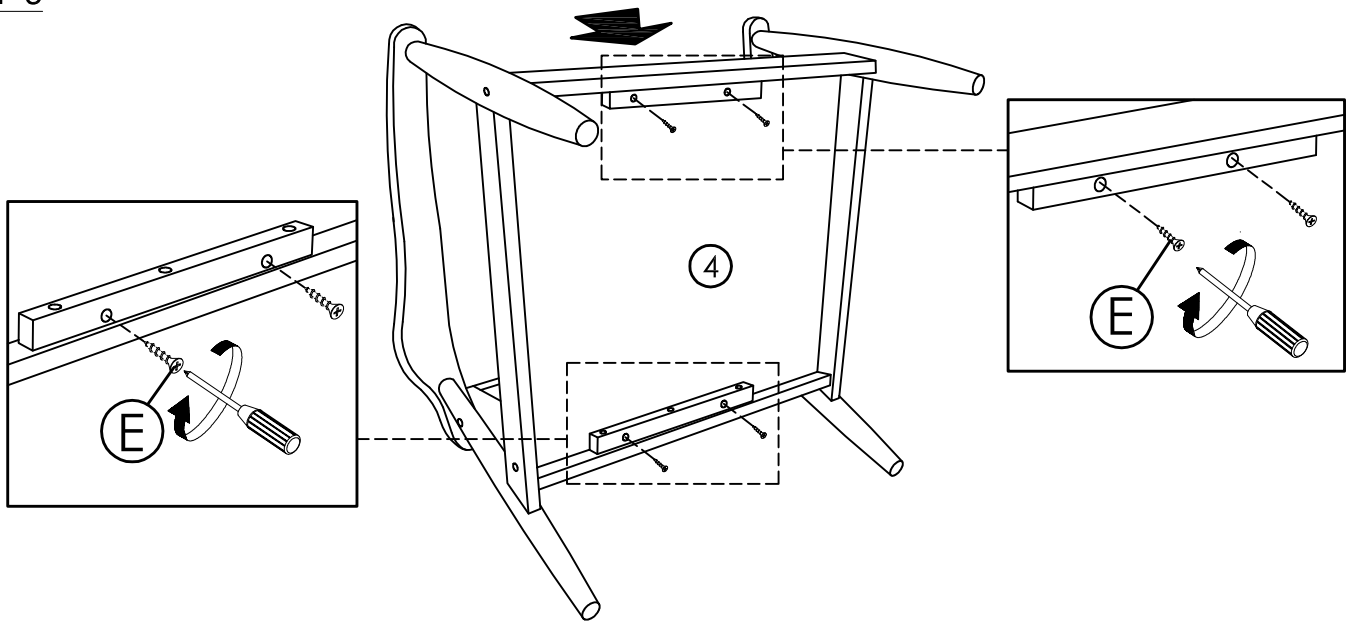
DO NOT FULLY TIGHTEN THE BOLT

ASSEMBLY INSTRUCTIONS

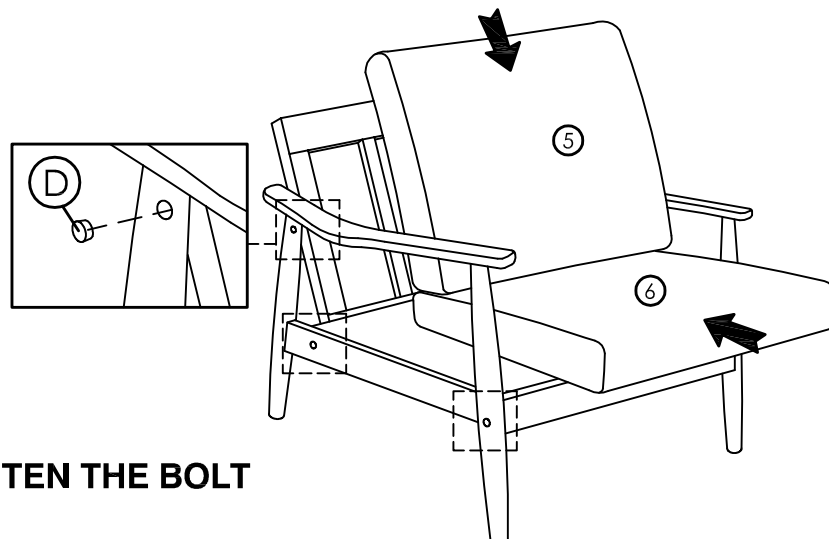
STEP 2



STEP 3



STEP 4



FULLY TIGHTEN THE BOLT