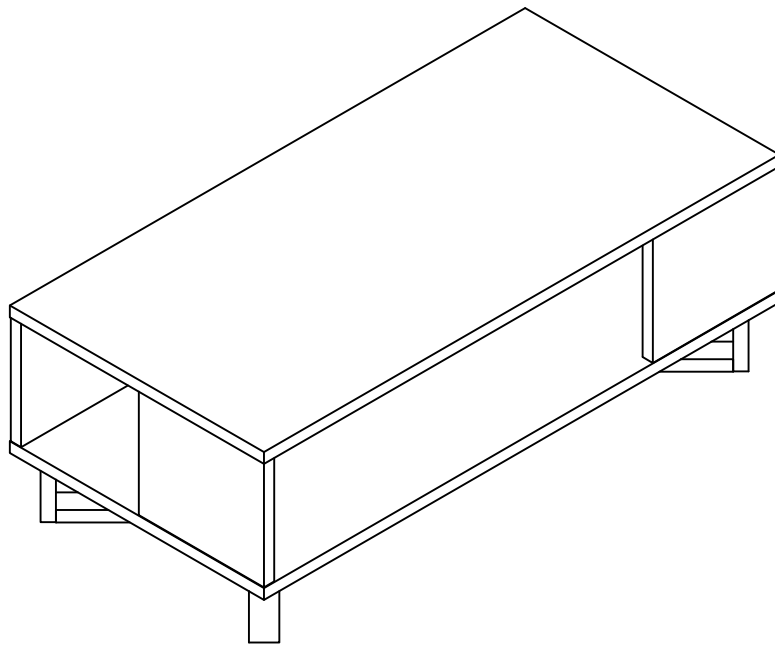


ASSEMBLY INSTRUCTIONS



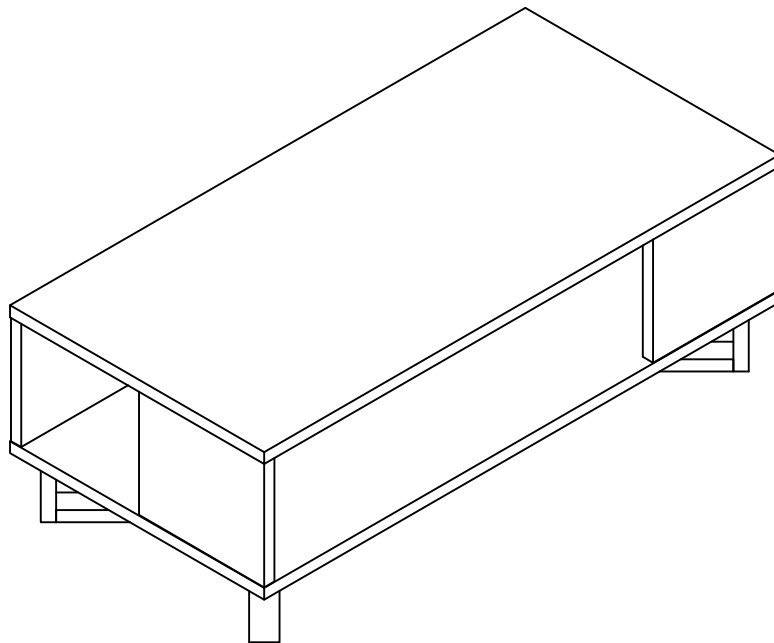
ASSEMBLY INSTRUCTIONS

PLEASE READ BEFORE ASSEMBLING!

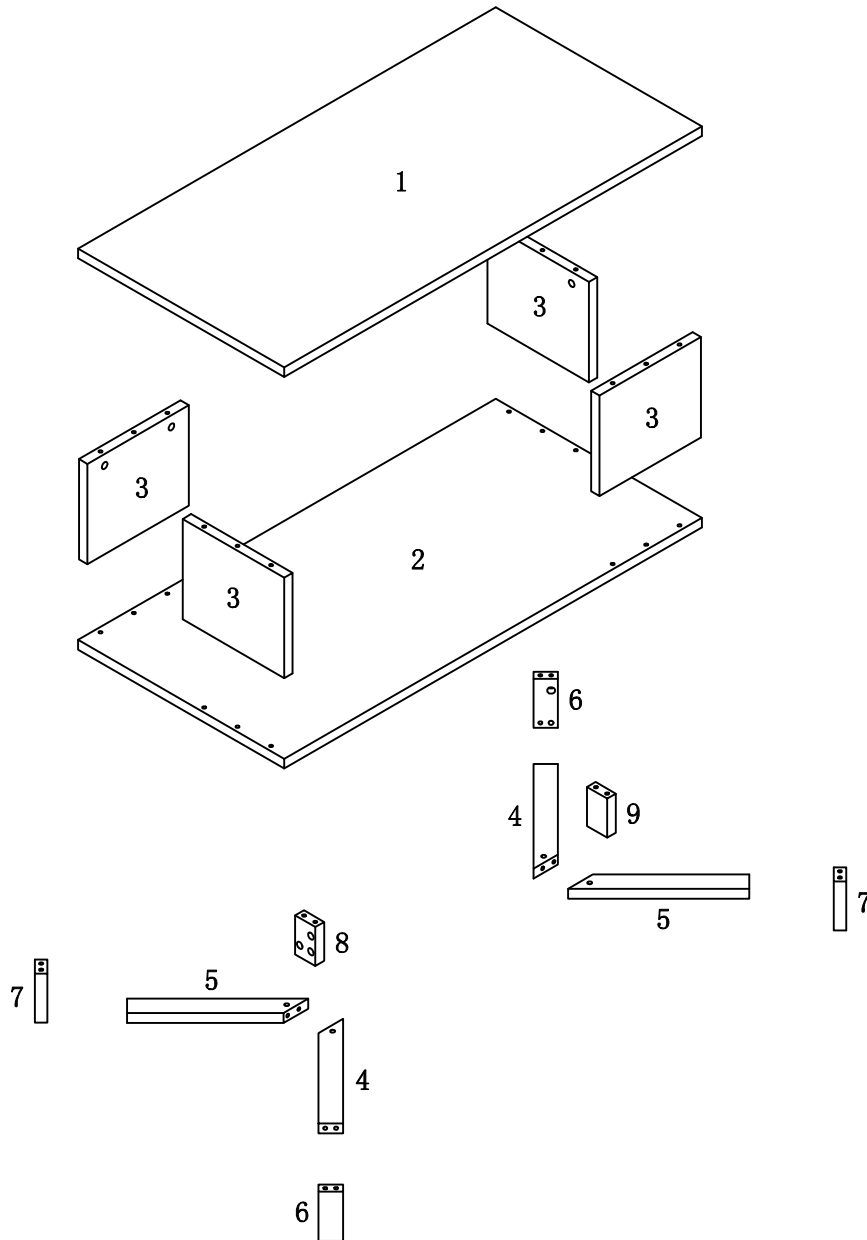
Tip #1: Make sure you've taken all the pieces and hardware out of its packaging before discarding the box. Assembly on top of flattened box/blanket is recommended.

Tip #2: Using page 2 and/or page 3 of instruction manual make sure all pieces and hardware are accounted for.

Tip #3: Note position of all holes on each panel during assembly.



PARTS IDENTIFICATION



(1)	1pc	(6)	2pcs
(2)	1pc	(7)	2pcs
(3)	4pcs	(8)	1pc
(4)	2pcs	(9)	1pc
(5)	2pcs		

HARDWARE IDENTIFICATION

A
B
C
D
E
F
G
H



L29

22pcs



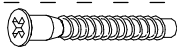
Ø15

22pcs



Ø8x25

22pcs



Ø7x48

8pcs



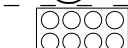
Ø16xØ8x2

8pcs



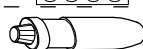
Ø16

6pcs



Ø22 (WW)

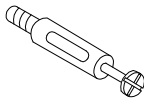

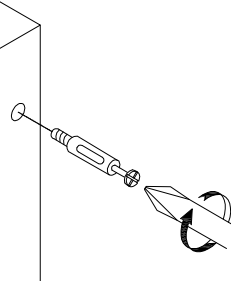
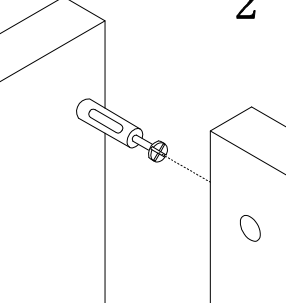
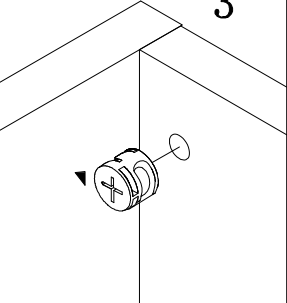
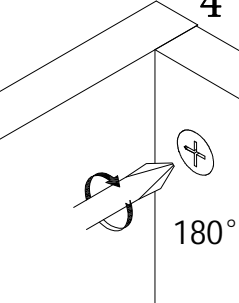
18pcs

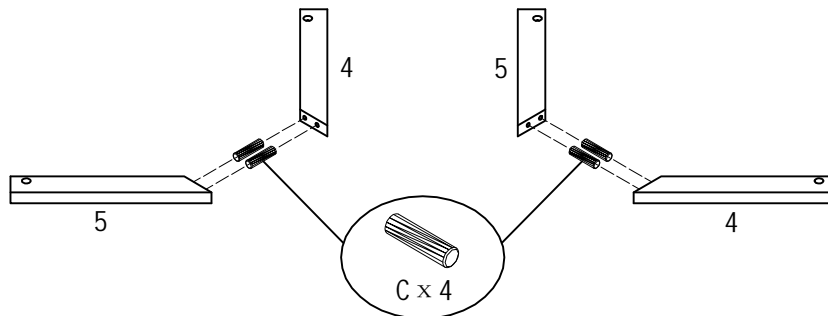


Glue: For securing please apply to wood
dowel first before inserting into panel

1pc

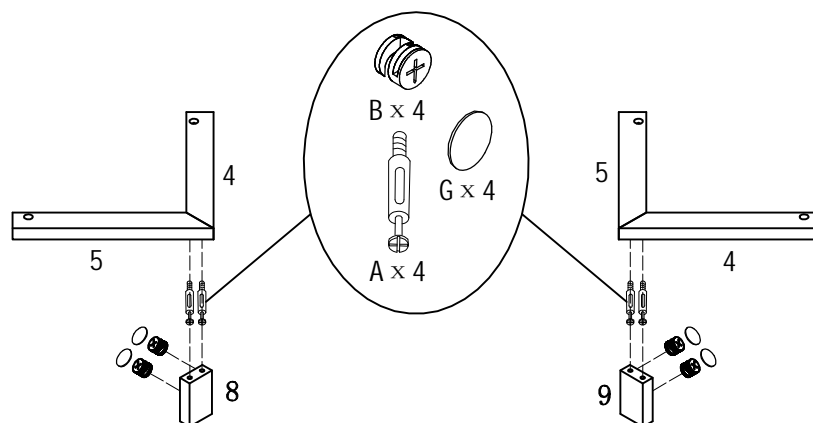
ASSEMBLY INSTRUCTIONS

HOW TO	1	2	3	4
 <p>Cam Bolt</p>  <p>Cam Lock</p>				 <p>180°</p>
	<p>1. Screw Cam Bolt into panel.</p>	<p>2. Insert Cam Bolt into bolt hole of joining panel.</p>	<p>3. Insert Cam Lock. arrow facing bolt.</p>	<p>4. Gently turn Cam Lock clockwise to lock position.</p>

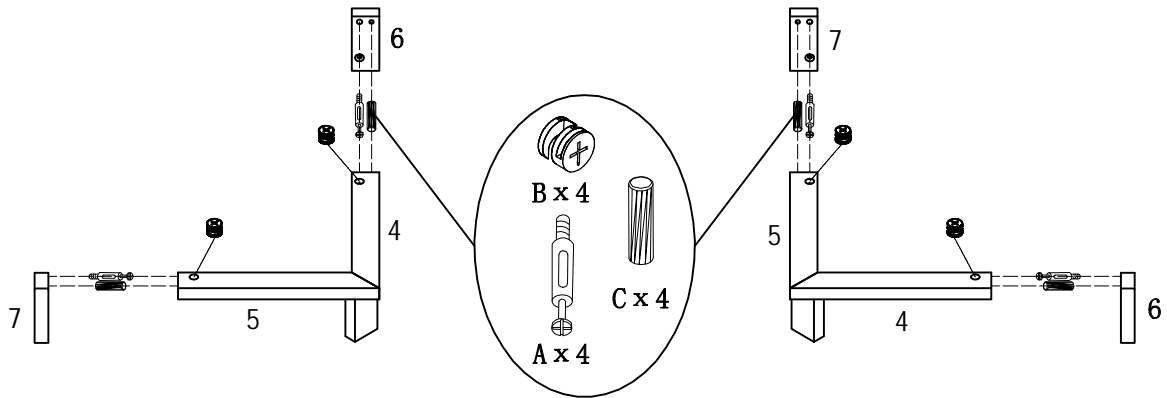


STEP1

STEP2

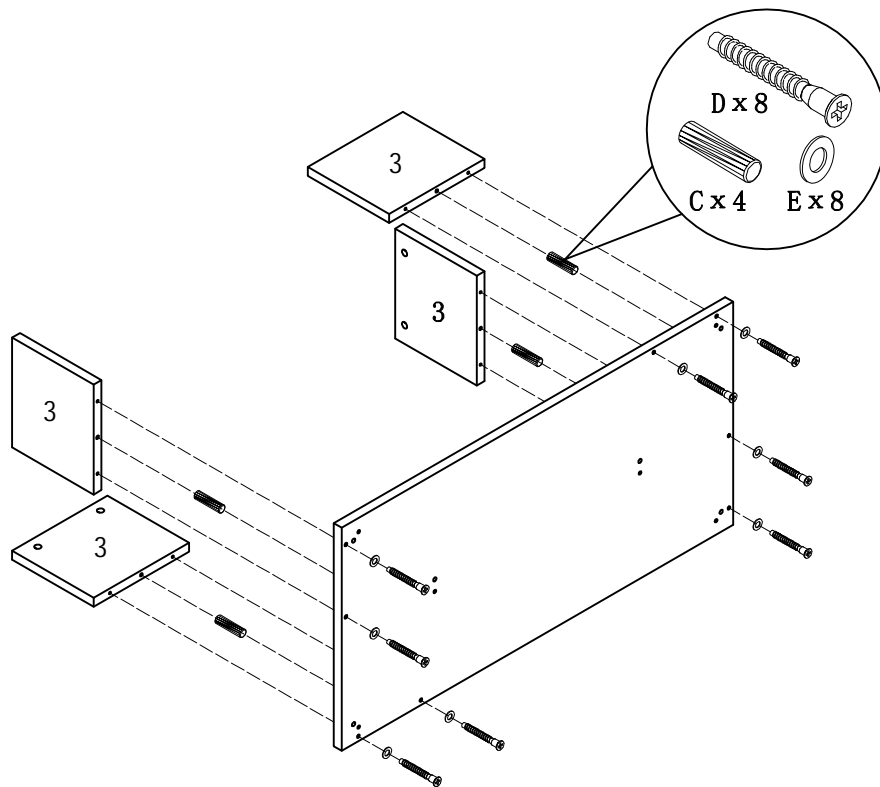


ASSEMBLY INSTRUCTIONS

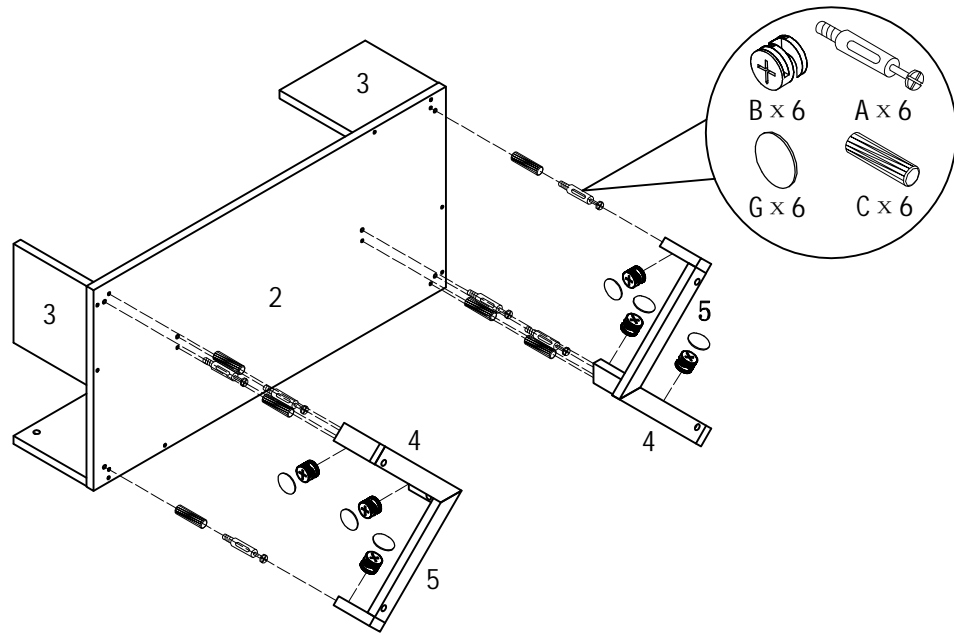


STEP 3

STEP 4

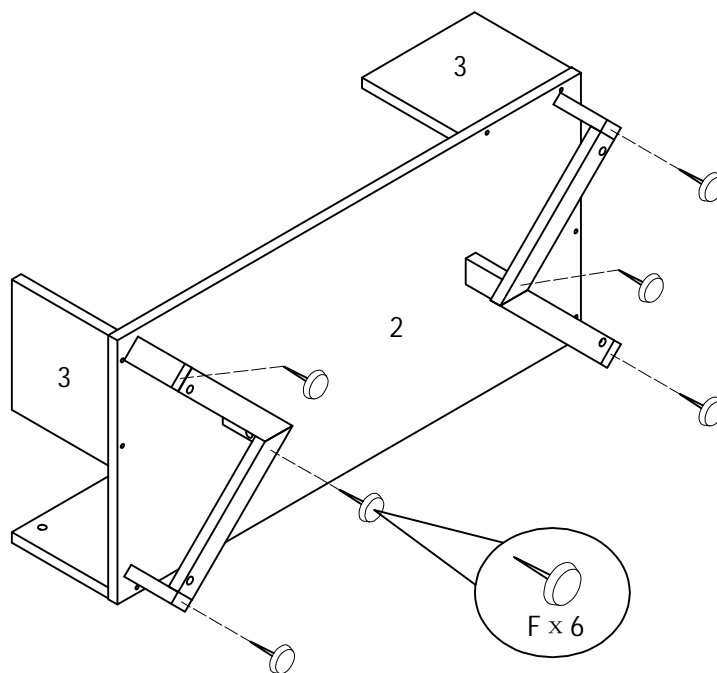


ASSEMBLY INSTRUCTIONS

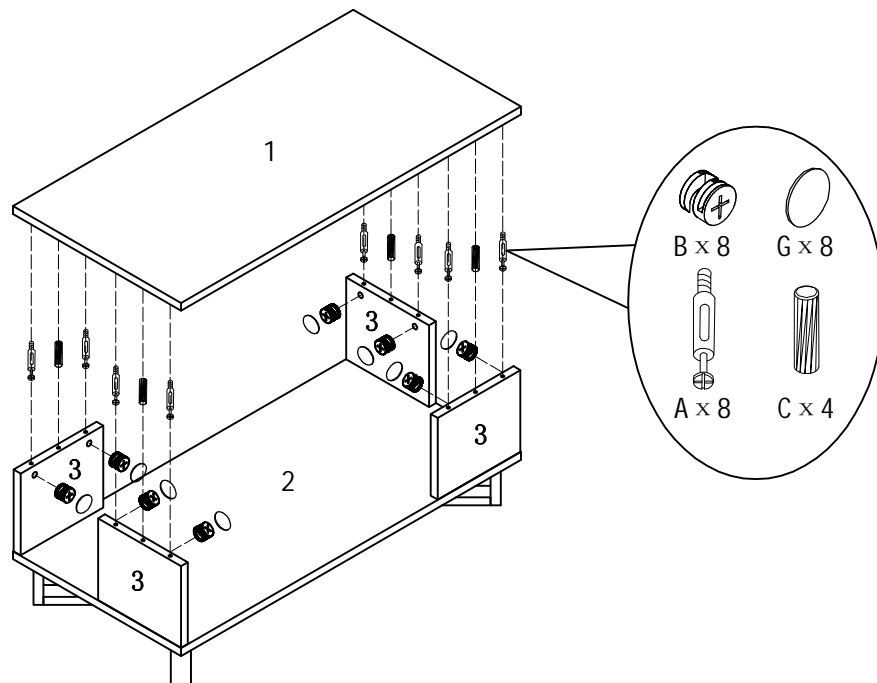


STEP5

STEP6



ASSEMBLY INSTRUCTIONS



STEP 7

STEP 8

