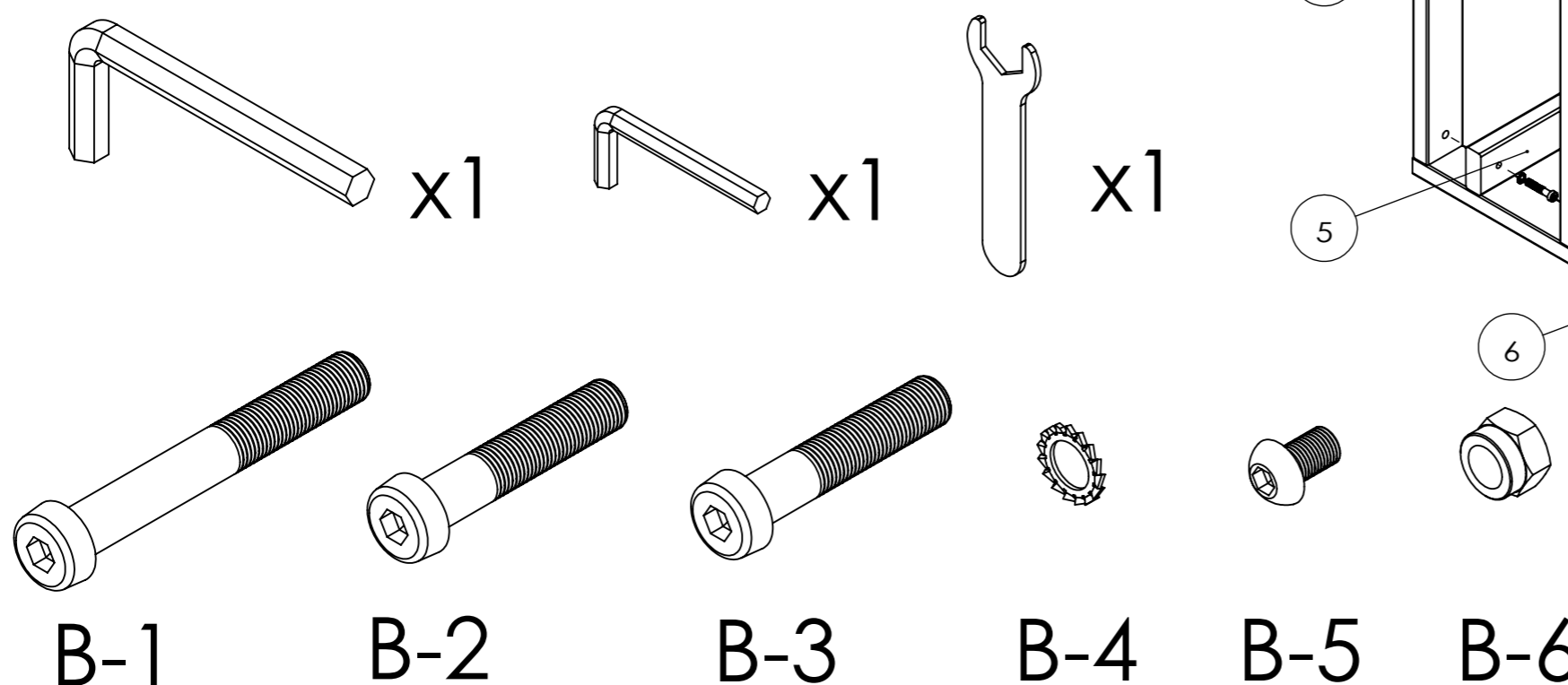
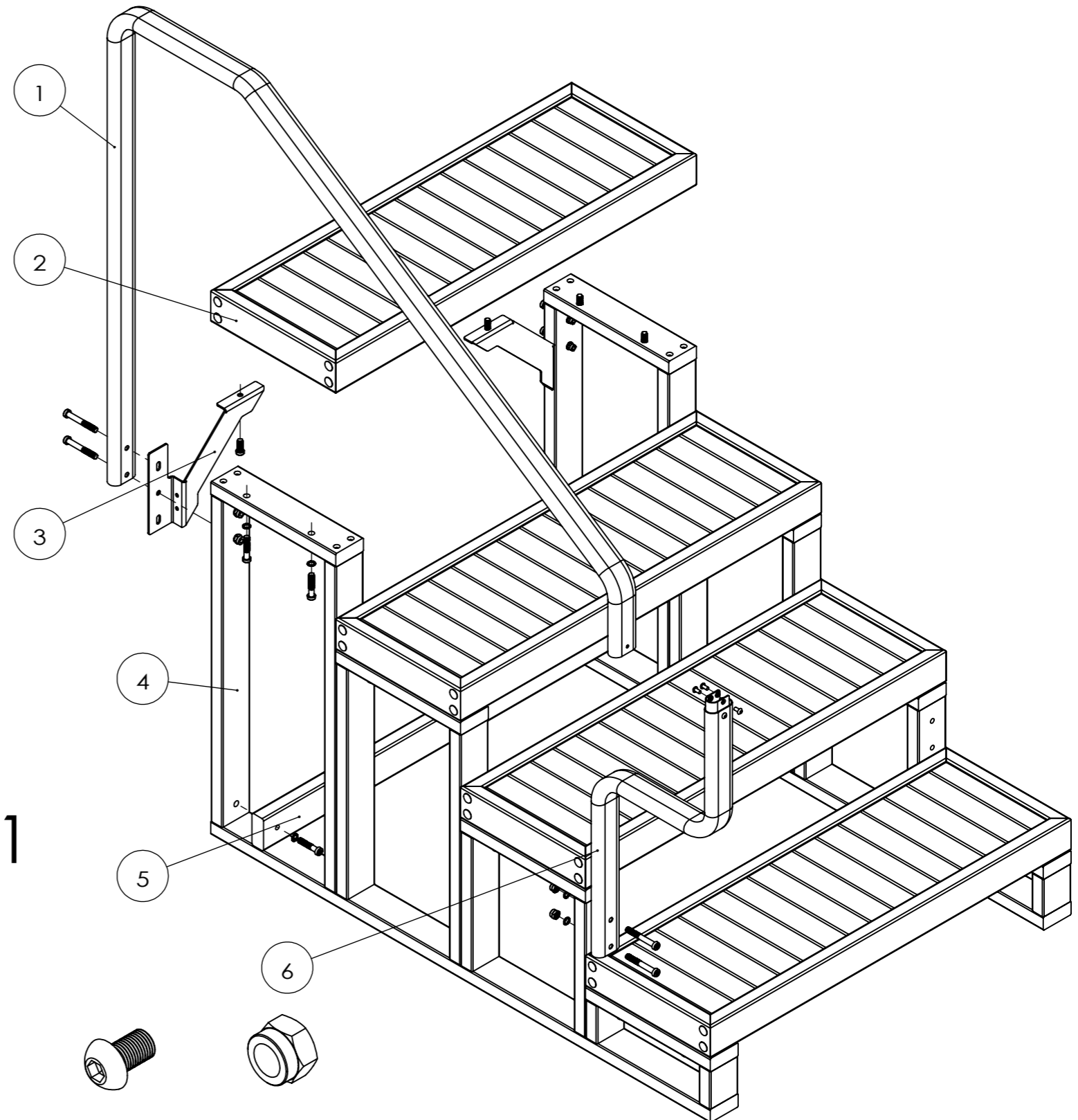


FOUR STEPS LADDER

- 1.handrail-A
- 2.step-surface
- 3.support
- 4.step-stool
- 5.step-beam
- 6.handrail-B

- B-1:M8x60=8s
- B-2:M8x40=18s
- B-3:M8x20=2s
- B-4:lockwasher=28s
- B-5:M5x10=6s
- B-6:locknut=8s



FOUR STEPS LADDER+HANDRAIL
Handrail installation method is suitable for two sides.