

ASSEMBLY INSTRUCTION

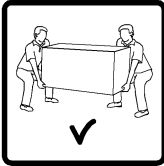
ASSEMBLY TIPS:

1. Remove hardware from box and sort by size.
2. Please check to see that all hardware and parts are present prior to start of assembly.
3. Please follow attached instructions in the same sequence as numbered to assure fast & easy assembly.



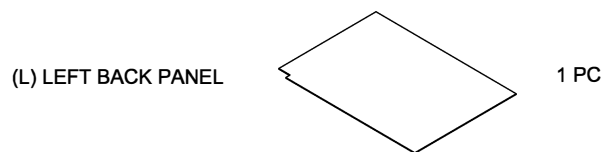
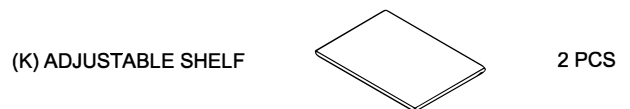
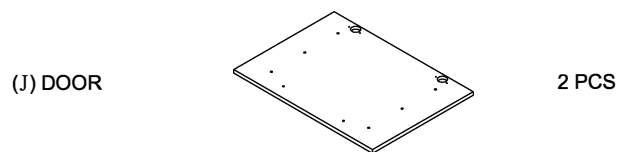
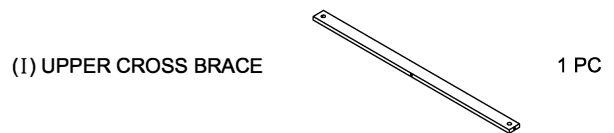
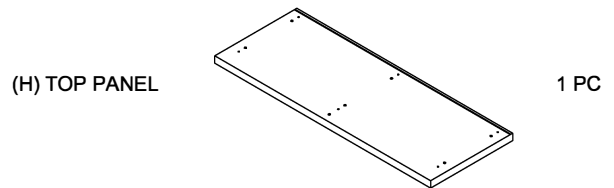
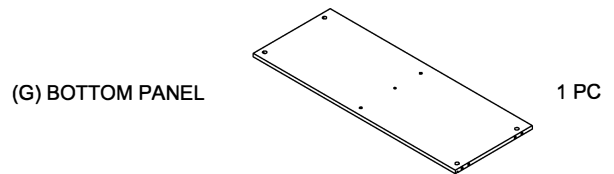
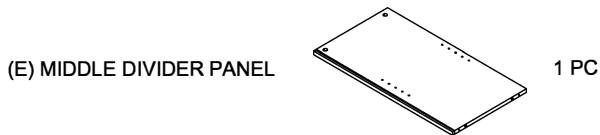
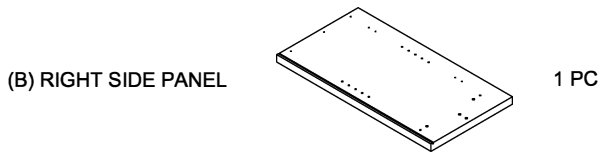
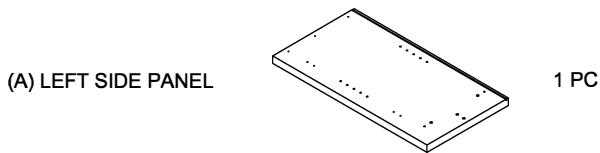
Warning!

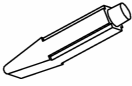
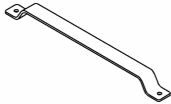
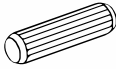




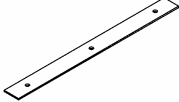




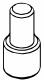
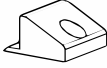



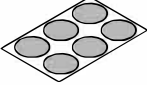

1. Don't attempt to repair or modify parts that are broken or defective. Please contact the store immediately.
2. This product is for home use only and not intended for commercial establishment.

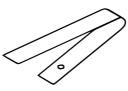





ASSEMBLY TIME PER UNIT: 40 MINUTES

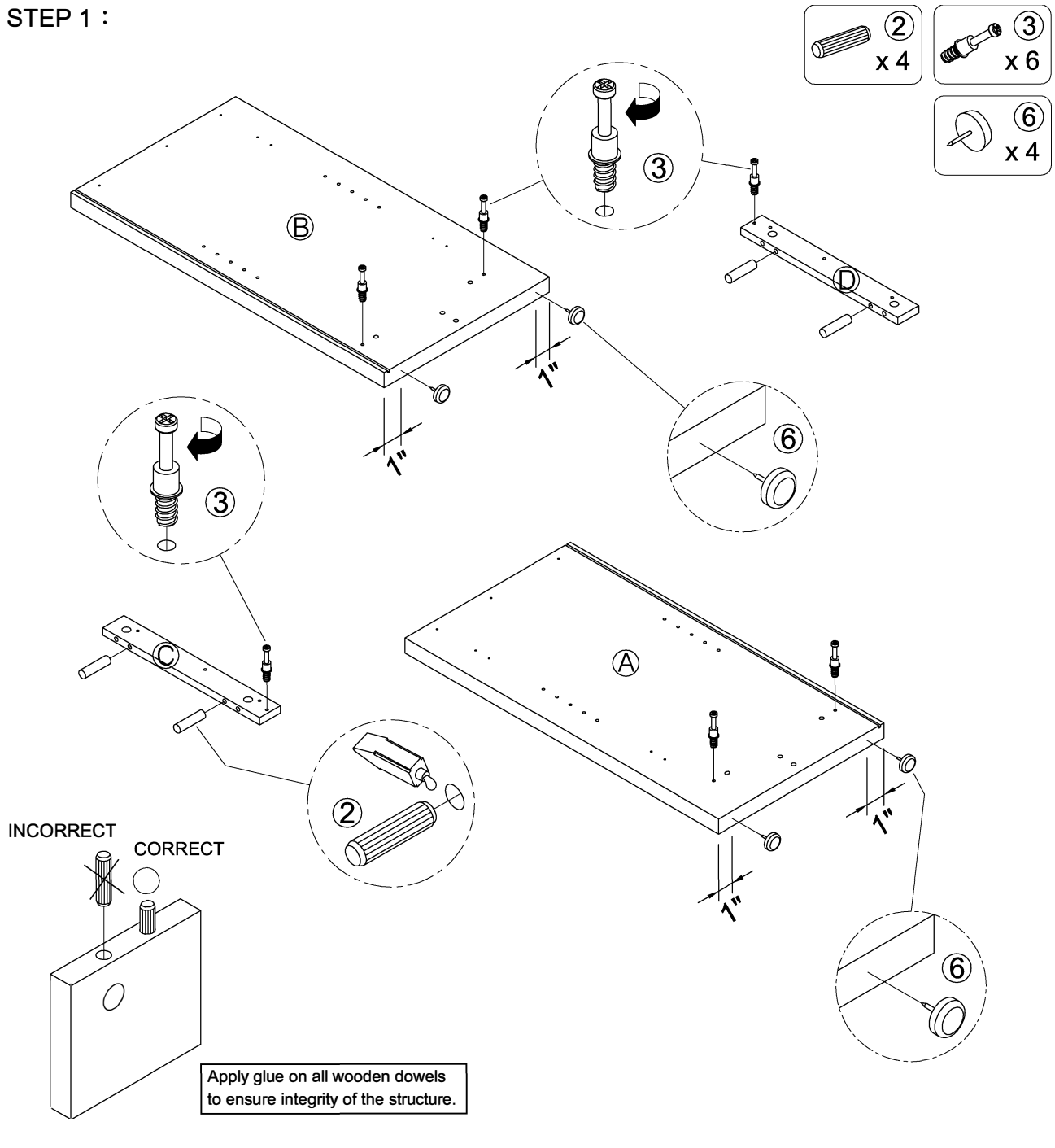
PARTS IDENTIFICATION:



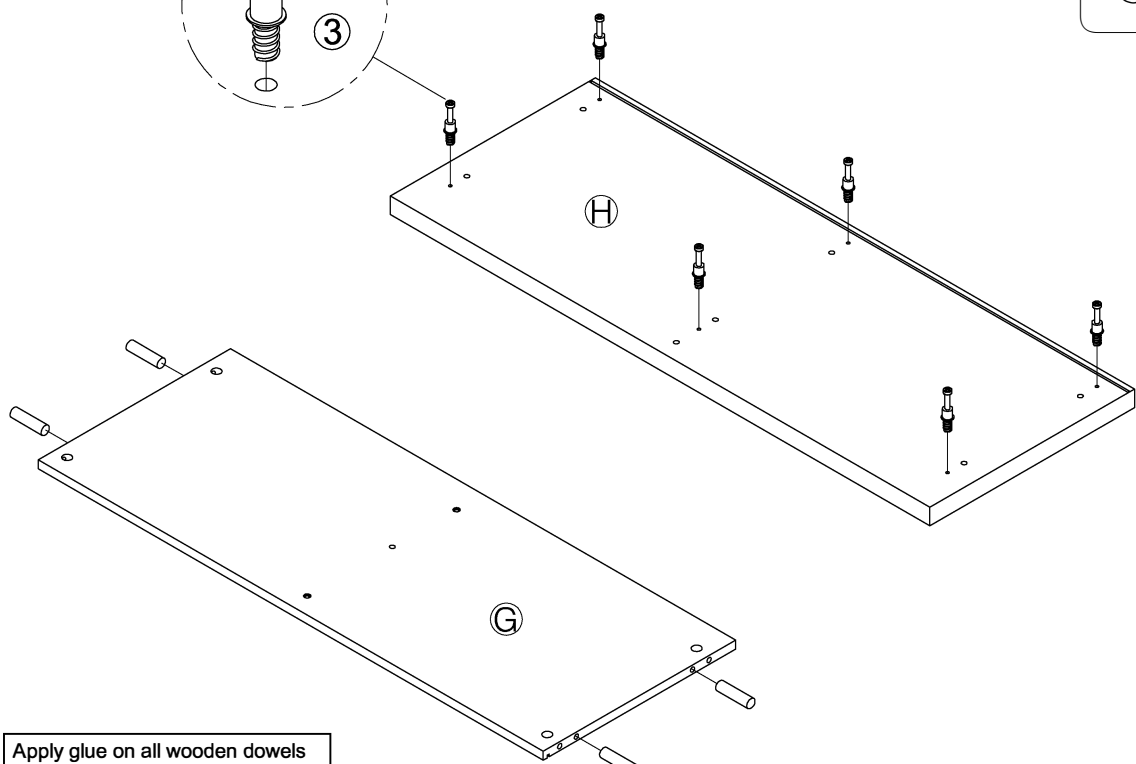
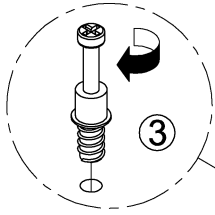
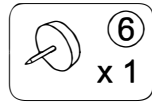
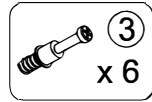
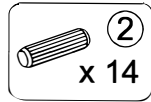
Z							
HARDWARE PACKAGE							
NO	DESCRIPTION	FIGURE	Q'TY	NO	DESCRIPTION	FIGURE	Q'TY
1	GLUE 15g		1 PC	11	HANDLE		2 PCS
2	WOODEN DOWEL ø8x30mm		18 PCS	12	HANDLE BOLT M5x25mm		4 PCS
3	CAM BOLT ø7x35.5mm		12 PCS	13	NUT M5		4 PCS
4	CAM LOCK ø15x12mm		12 PCS	14	PANEL 400mm		4 PCS
5	SCREW ø4.5x42mm		2 PCS	15	BOLT M6x23.5mm		12 PCS
6	PLASTIC FEET ø15mm		5 PCS	16	NUT M6		12 PCS
7	PIN ø4.9x8mm		8 PCS	17	FIXER		6 PCS
8	SCREW ø4x28mm		6 PCS	18	FIXER SCREW ø3x19mm		6 PCS
9	HINGE		4 PCS	19	STICKER ø20mm		2 PCS
10	HINGE SCREW ø4x15mm		16 PCS				

Z HARDWARE PACKAGE							
NO	DESCRIPTION	FIGURE	Q'TY	NO	DESCRIPTION	FIGURE	Q'TY
20	ANTI-TIP STRAP 170x15mm		2 PCS	22	WALL SCREW ø4x25mm		2 PCS
21	WALL PLUG 6x30mm		2 PCS	23	SCREW ø4x16mm		2 PCS

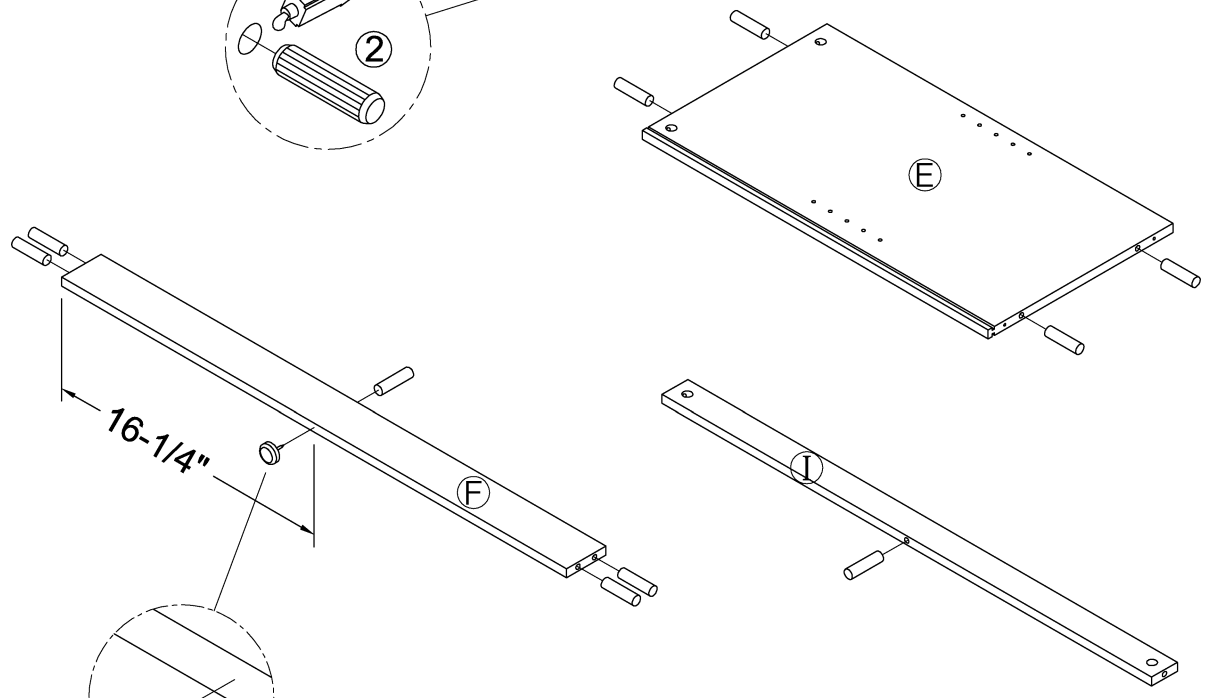
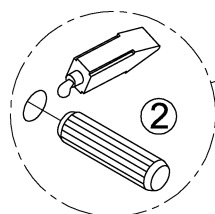
STEP 1 :



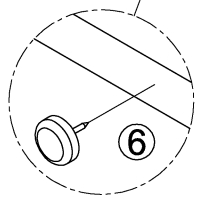
STEP 2 :



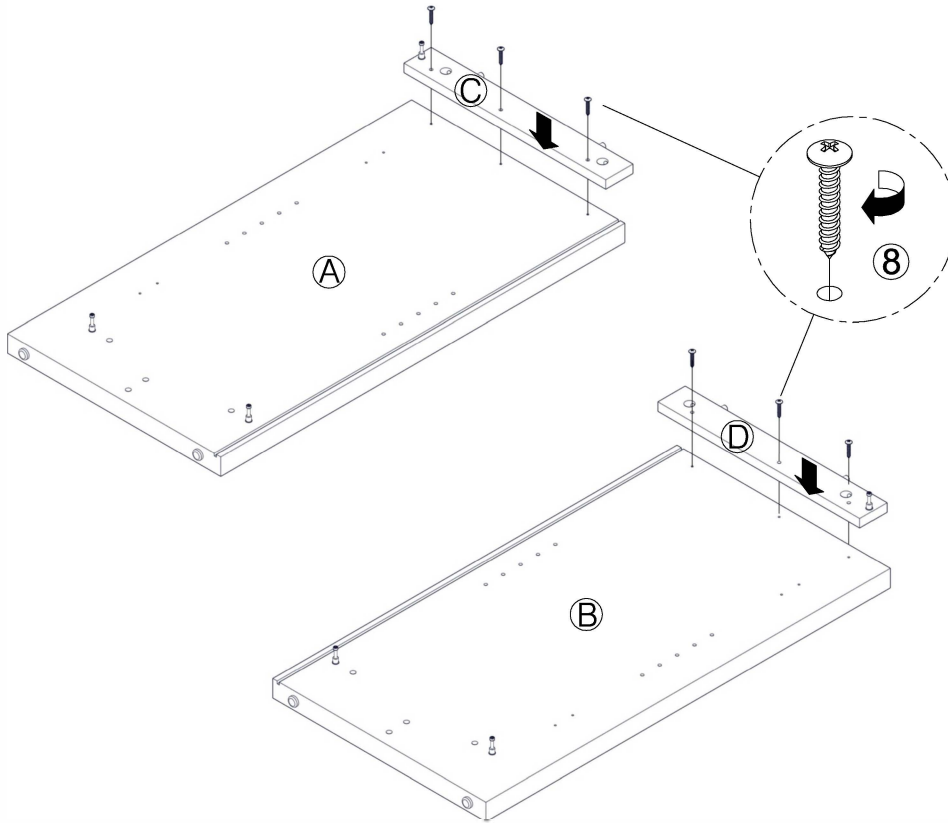
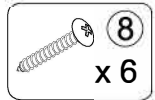
Apply glue on all wooden dowels to ensure integrity of the structure.



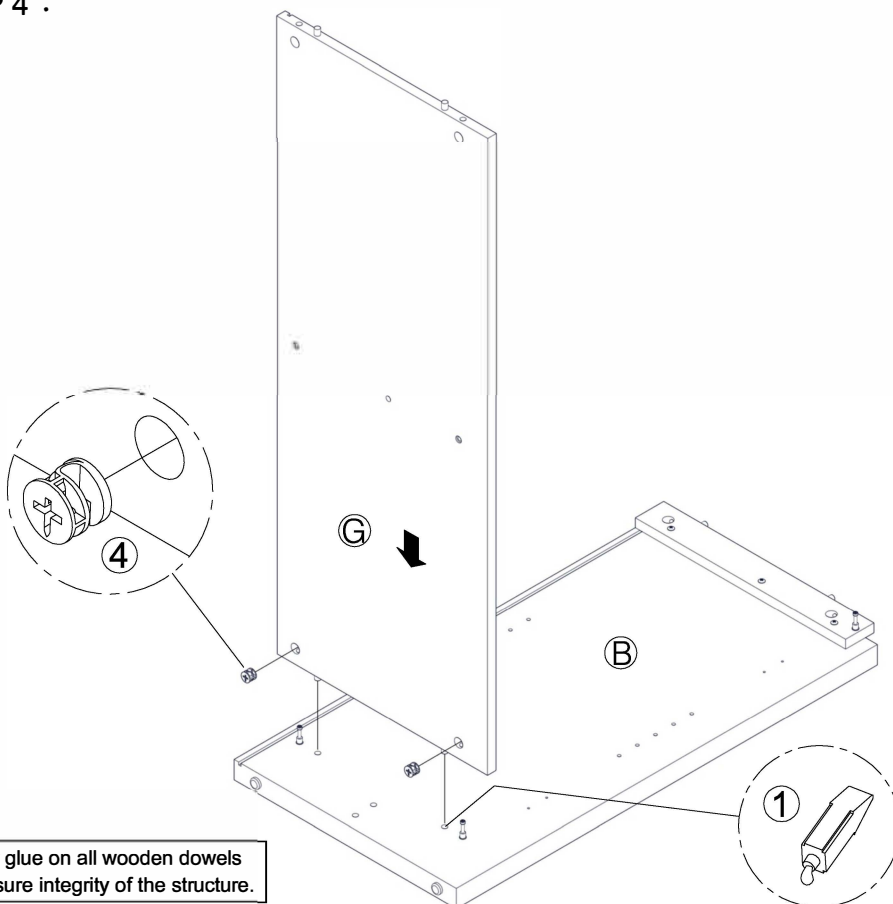
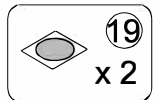
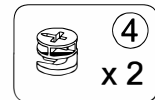
16-1/4"



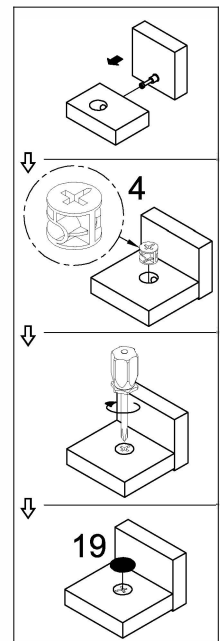
STEP 3 :



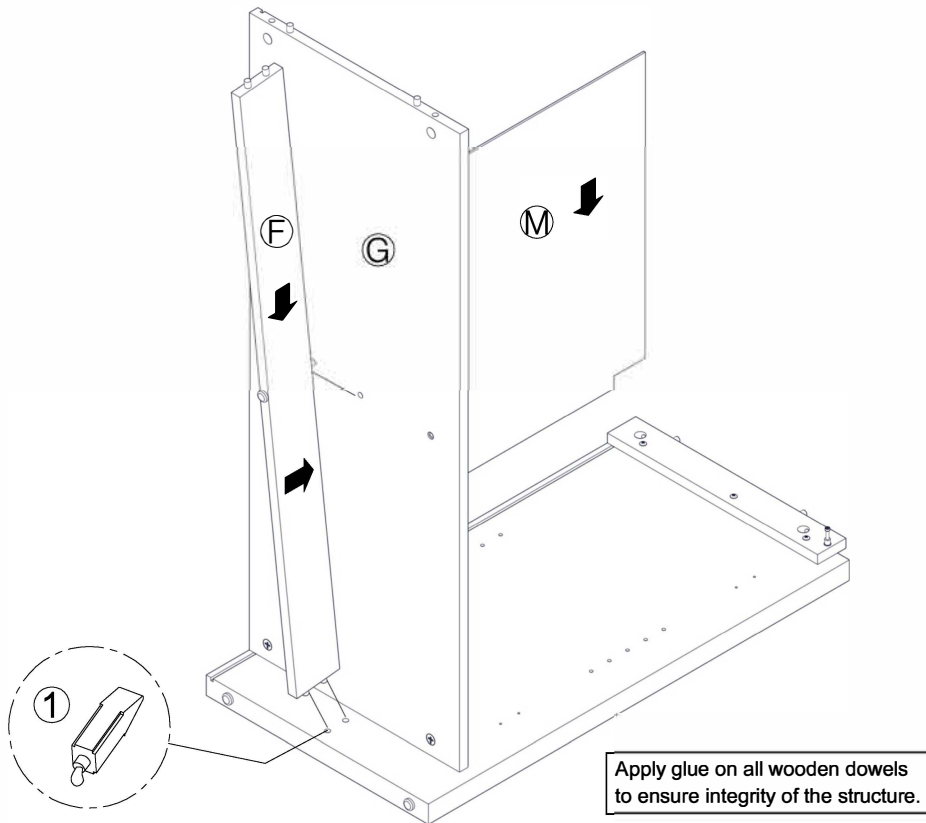
STEP 4 :



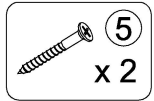
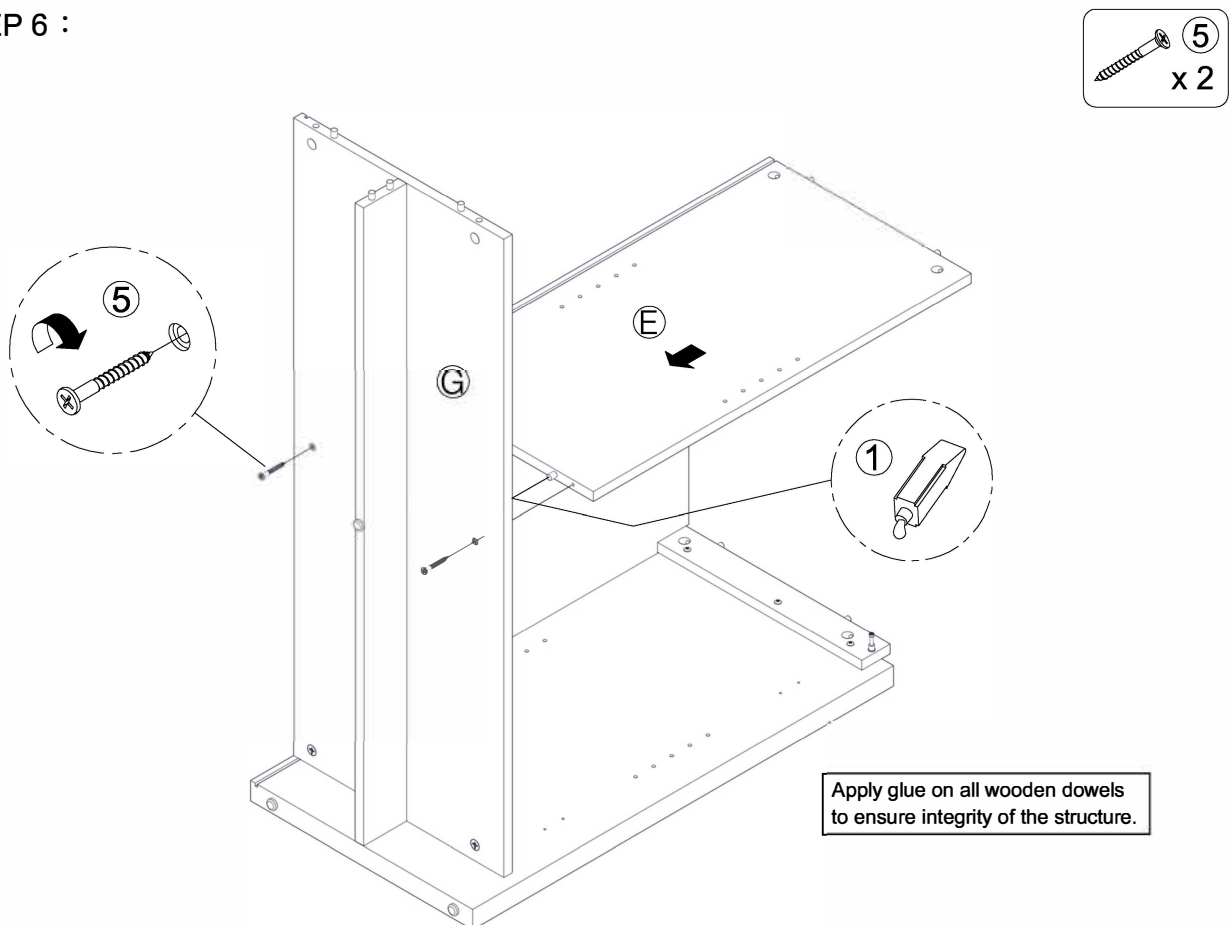
Apply glue on all wooden dowels to ensure integrity of the structure.



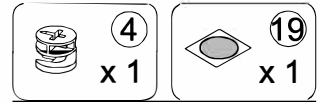
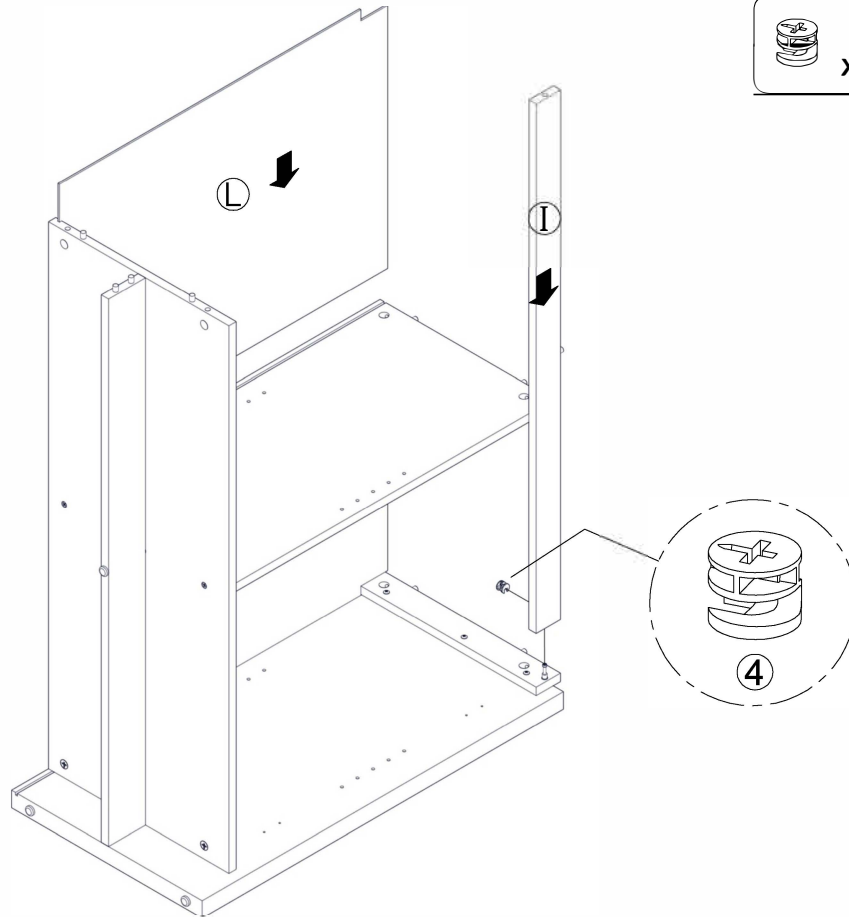
STEP 5 :



STEP 6 :

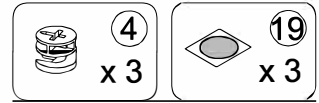
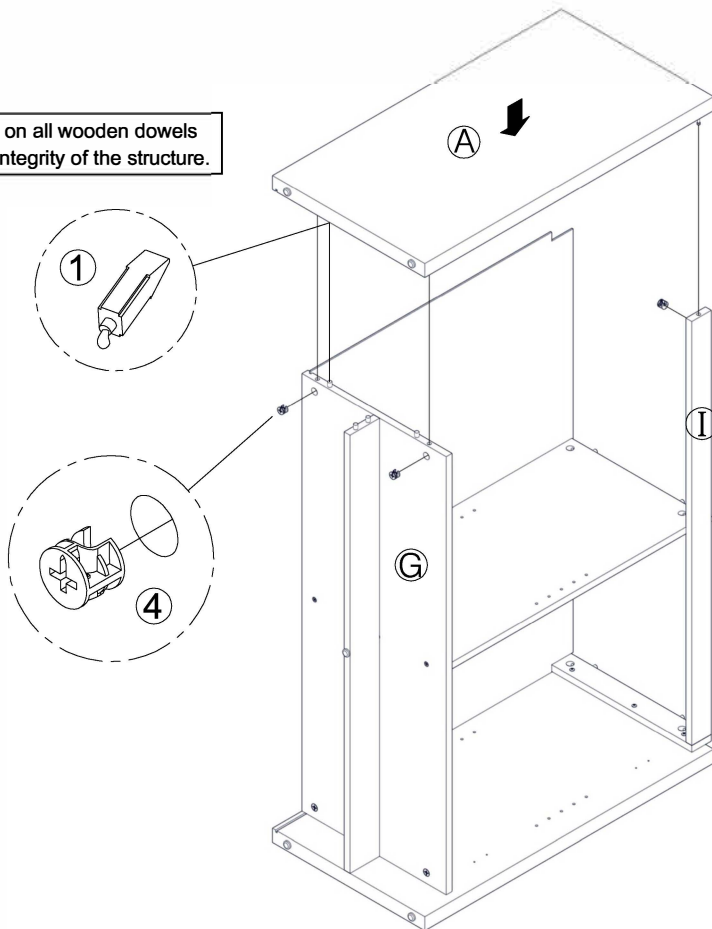


STEP 7 :

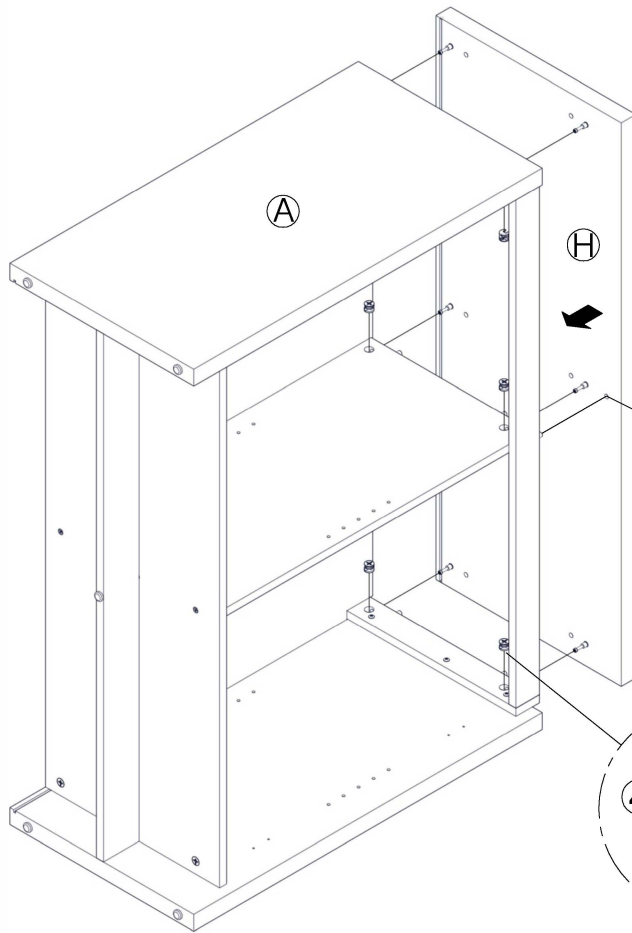
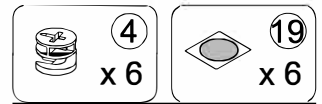


STEP 8 :

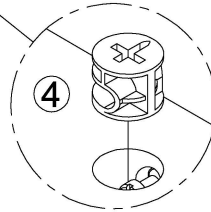
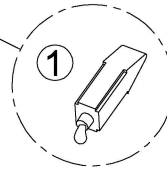
Apply glue on all wooden dowels to ensure integrity of the structure.



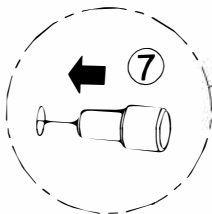
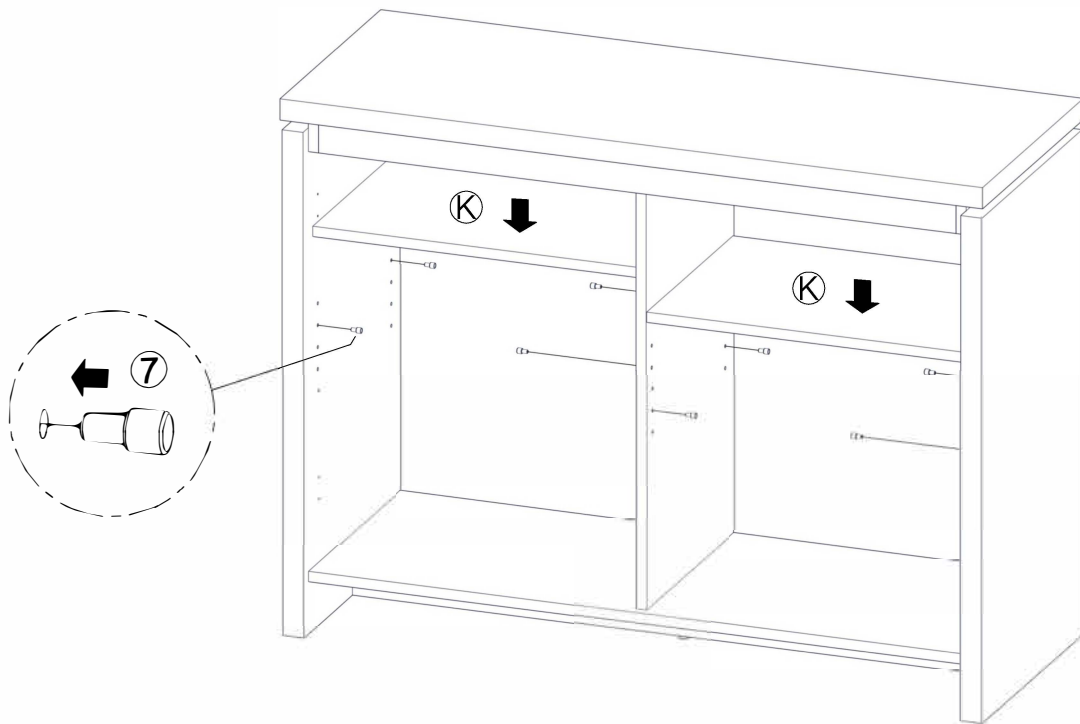
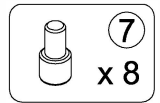
STEP 9 :



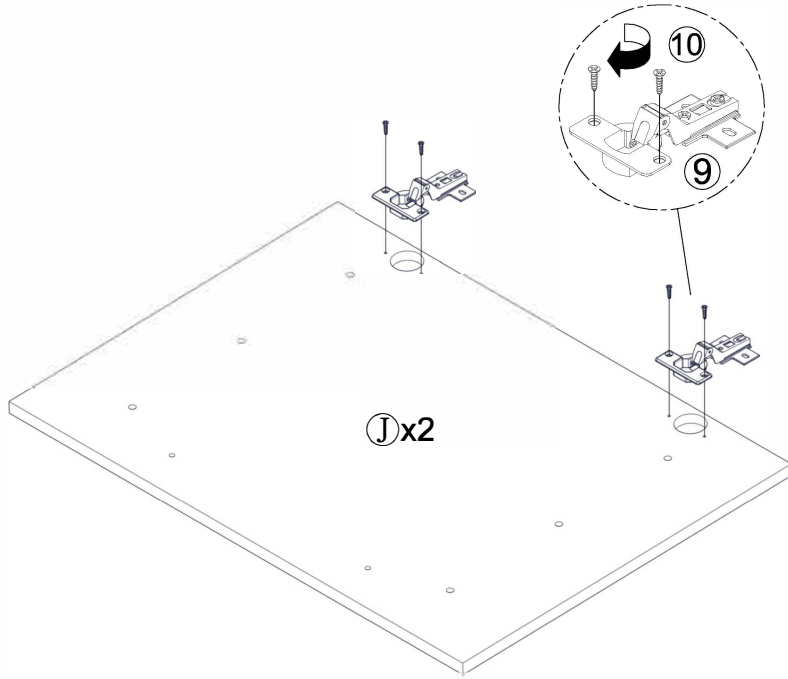
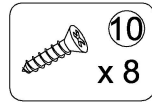
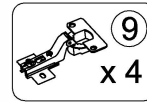
Apply glue on all wooden dowels to ensure integrity of the structure.



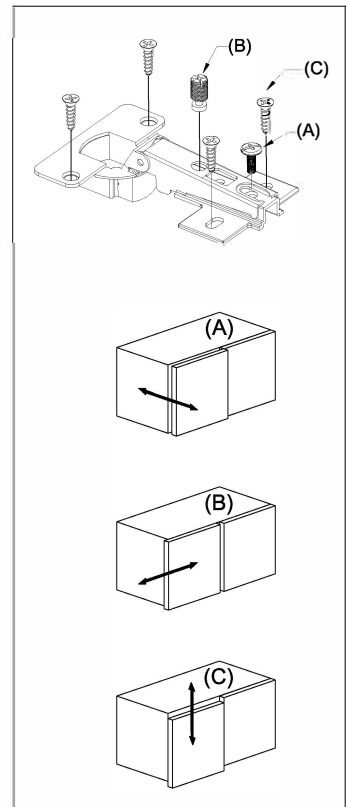
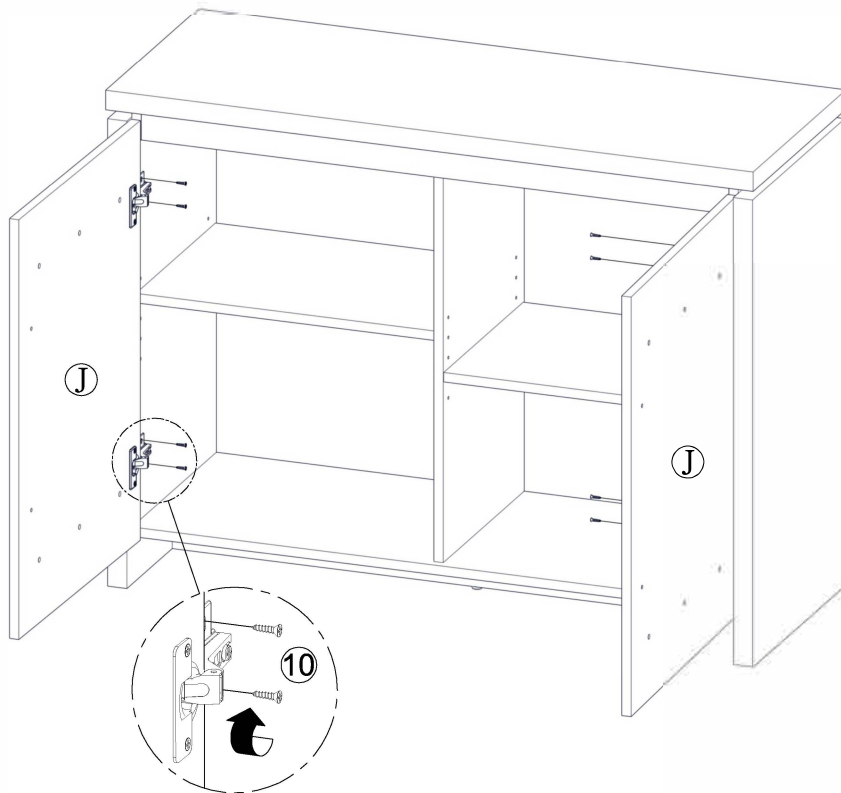
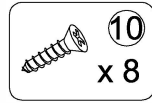
STEP 10 :



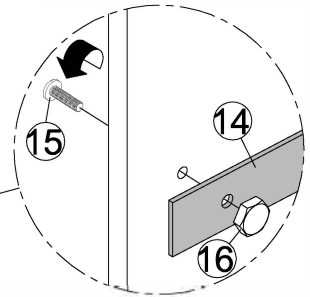
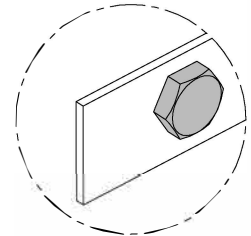
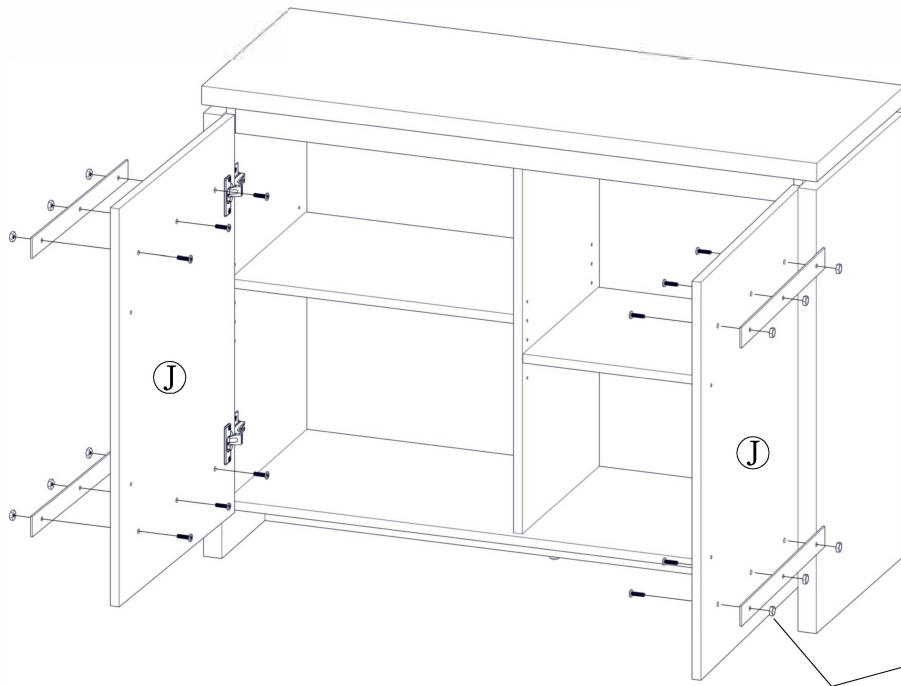
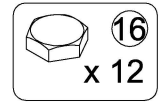
STEP 11 :



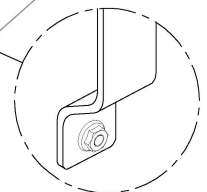
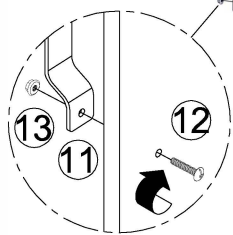
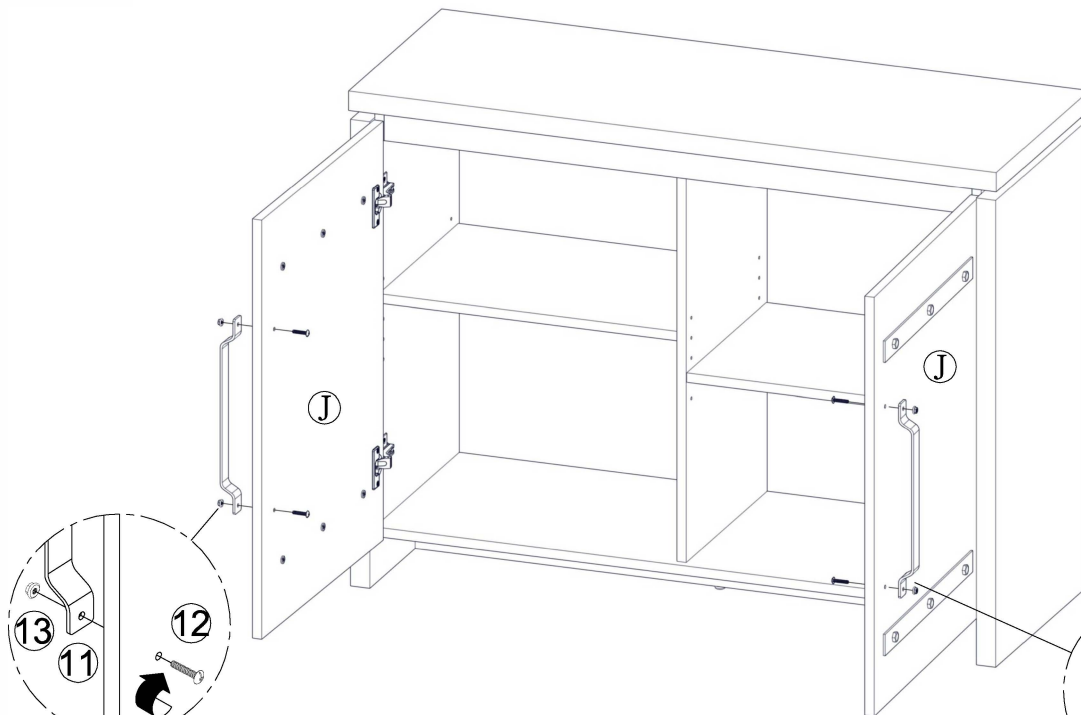
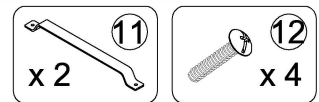
STEP 12 :



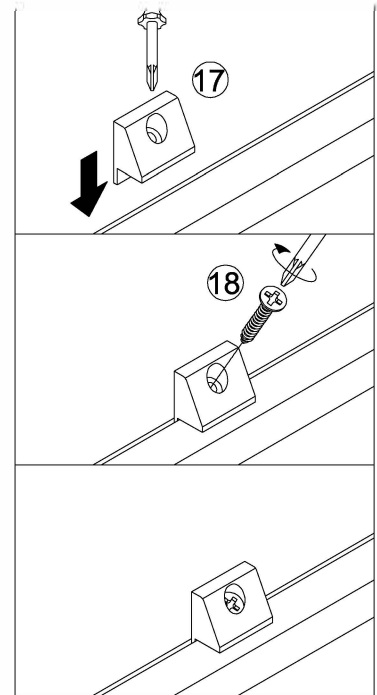
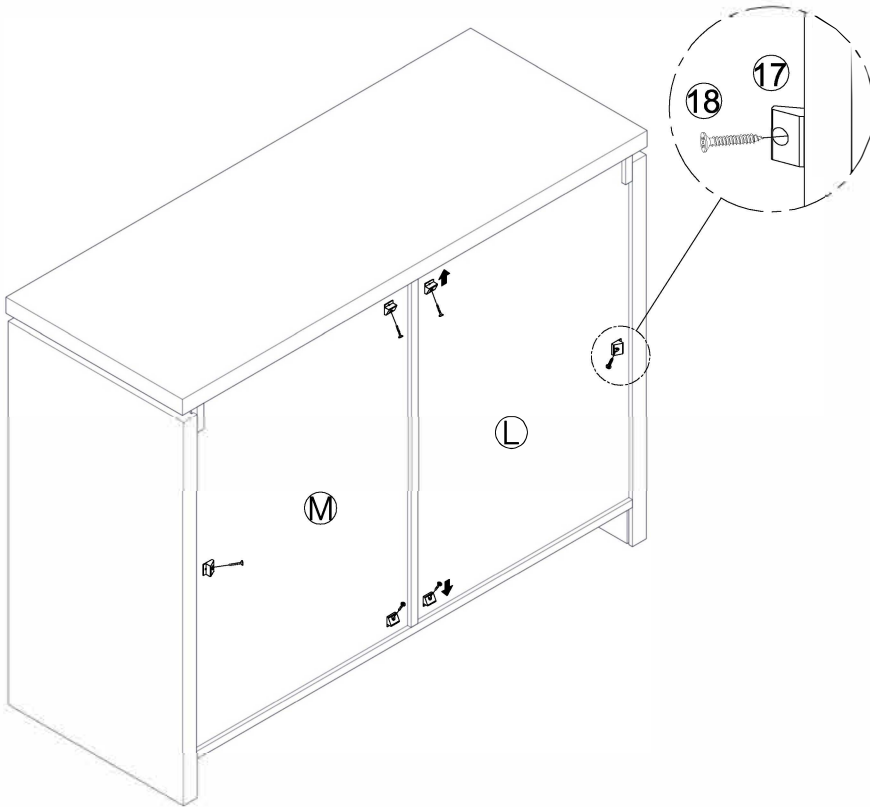
STEP 13 :



STEP 14 :

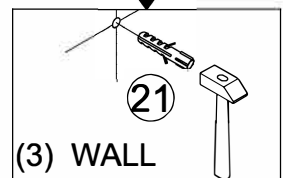
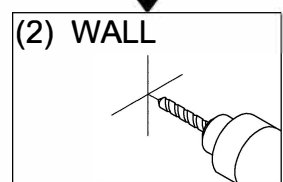
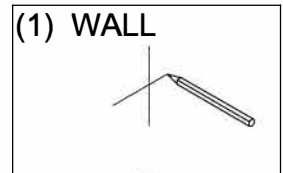
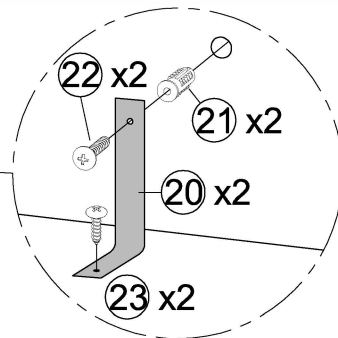
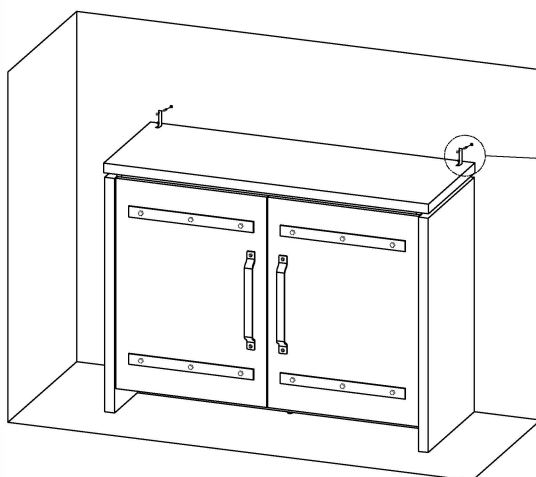


STEP 15 :



STEP 16 : ATTENTION: ANTI TIPPING SAFEGUARD

Please install the anti-tipping hardware as shown in the drawing.
This can help to prevent any tipping issues.



FURNITURE TIPPING RESTRAINT

WARNING

Injury may result from tipping furniture
This restraint is not a substitute for proper adult supervision.
This restraint may provide protection against tipping furniture.
Do not allow children to climb on furniture.
Failure to detach this restraint before moving furniture may
result in injury and damage

